

US00D567165S

(12) **United States Design Patent**
Truebsbach

(10) **Patent No.:** **US D567,165 S**

(45) **Date of Patent:** **** Apr. 22, 2008**

(54) **FRONT FACE OF A VEHICLE WHEEL**

(75) Inventor: **Sebastian Truebsbach**, Munich (DE)

(73) Assignee: **Bayerische Motoren Werke
Aktiengesellschaft**, Munich (DE)

(**) Term: **14 Years**

(21) Appl. No.: **29/287,329**

(22) Filed: **Jul. 24, 2007**

(30) **Foreign Application Priority Data**

Jan. 25, 2007 (DE) 4 07 00 466

(51) **LOC (8) Cl.** **12-16**

(52) **U.S. Cl.** **D12/209**

(58) **Field of Classification Search** D12/204-213;
301/37.101, 64.101, 65, 64.201
See application file for complete search history.

(56) **References Cited**

U.S. PATENT DOCUMENTS

D470,094 S * 2/2003 van Hooydonk D12/211
D487,717 S * 3/2004 Lenz D12/211
D502,677 S * 3/2005 Baum D12/209

D516,488 S * 3/2006 Truebsbach D12/209
D519,901 S * 5/2006 Panano D12/209
D519,907 S * 5/2006 Kikuchi D12/211
D523,799 S * 6/2006 Ianniello D12/209
D527,327 S * 8/2006 Laengerer D12/211
D528,061 S * 9/2006 Saridakis et al. D12/211
D537,766 S * 3/2007 Laengerer et al. D12/211
D540,239 S * 4/2007 Pfeiffer D12/211
D547,251 S * 7/2007 Baum D12/209
D547,711 S * 7/2007 Young D12/211

* cited by examiner

Primary Examiner—Stacia Cadmus

(74) *Attorney, Agent, or Firm*—Crowell & Moring LLP

(57) **CLAIM**

The ornamental design for a front face of a vehicle wheel,
as shown and described.

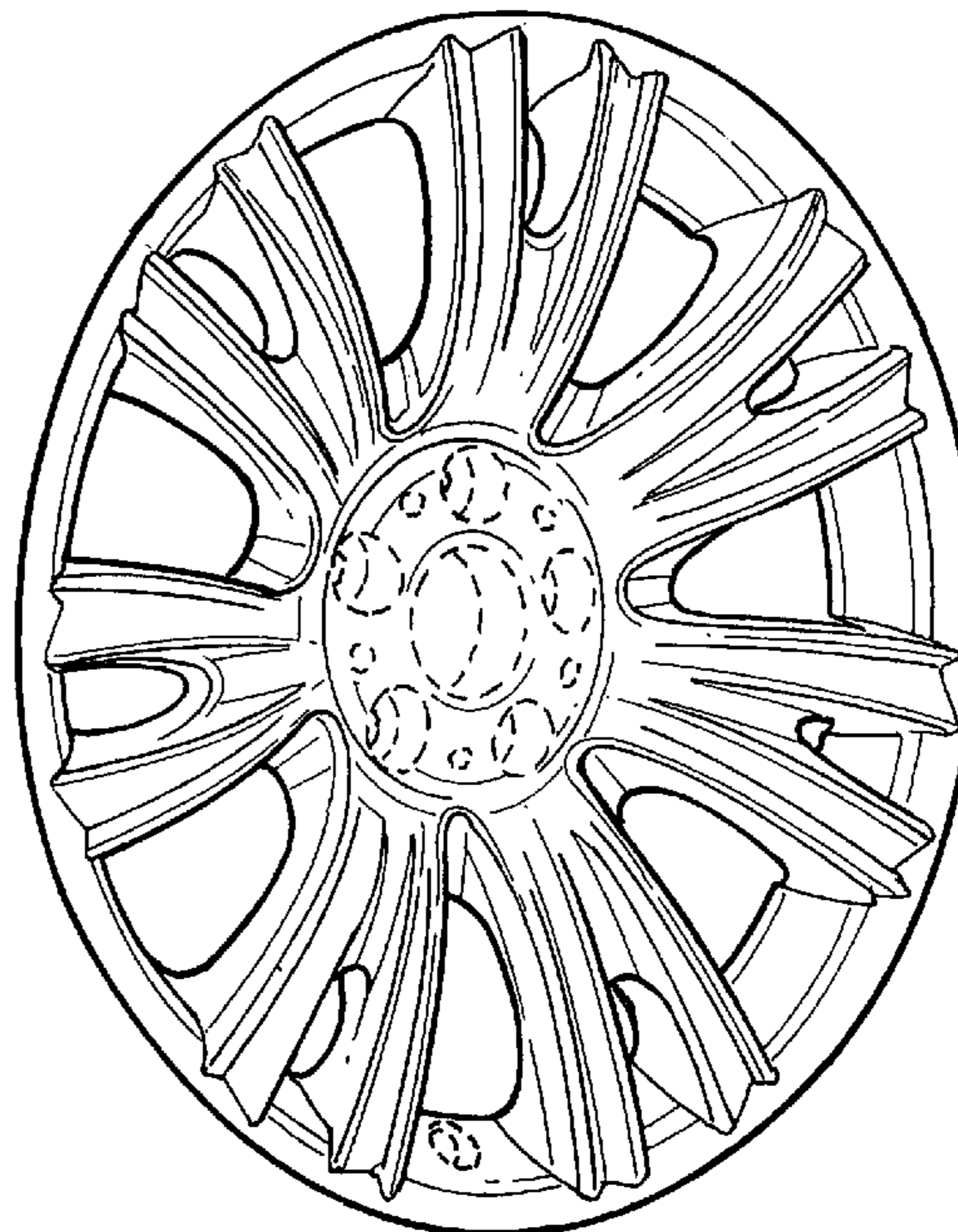
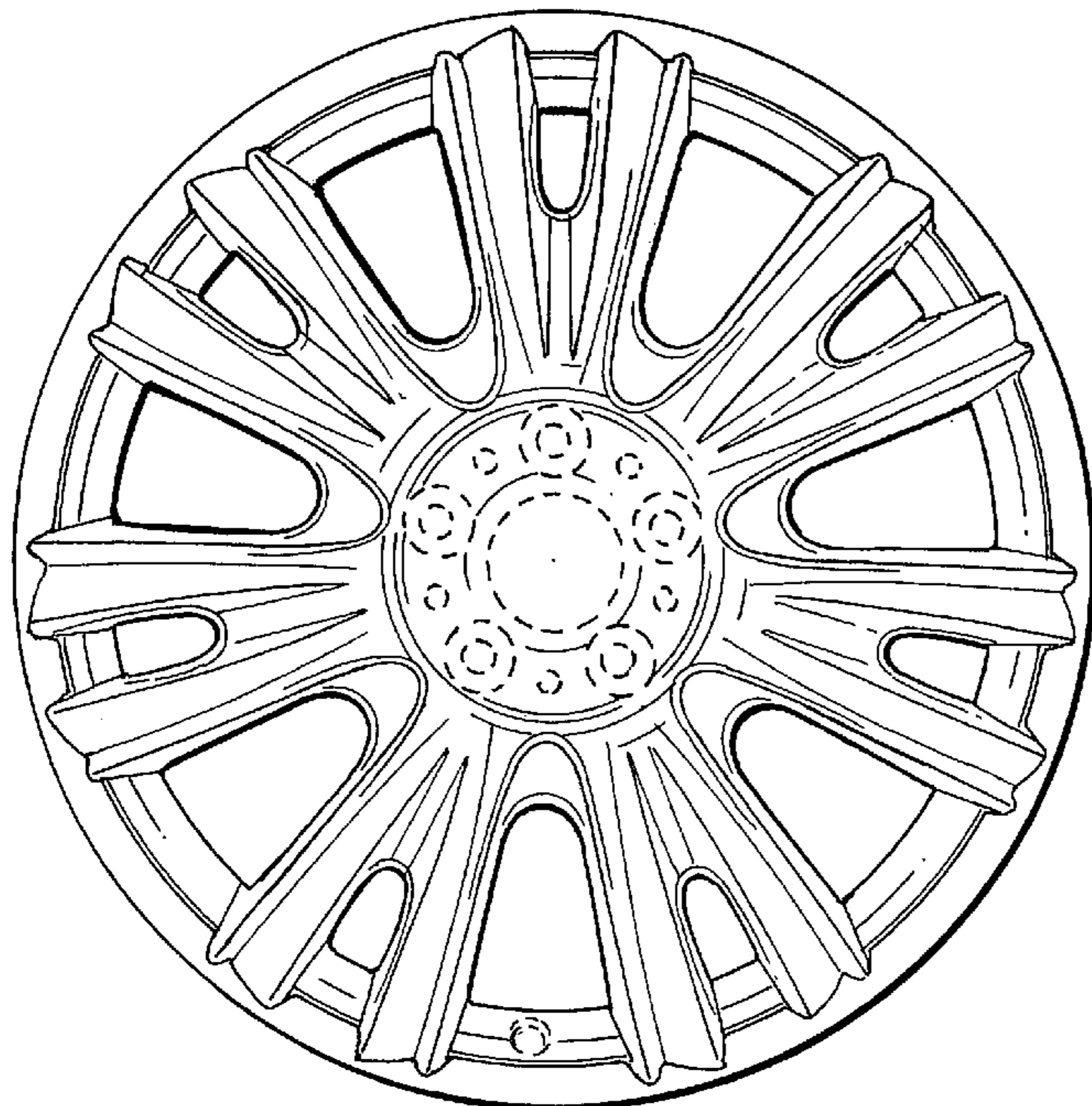
DESCRIPTION

FIG. 1 is a front view of a front face of a vehicle wheel
according to my novel design; and,

FIG. 2 is a perspective view thereof.

The broken lines are for illustrative purposes only and form
no part of the claimed design.

1 Claim, 1 Drawing Sheet



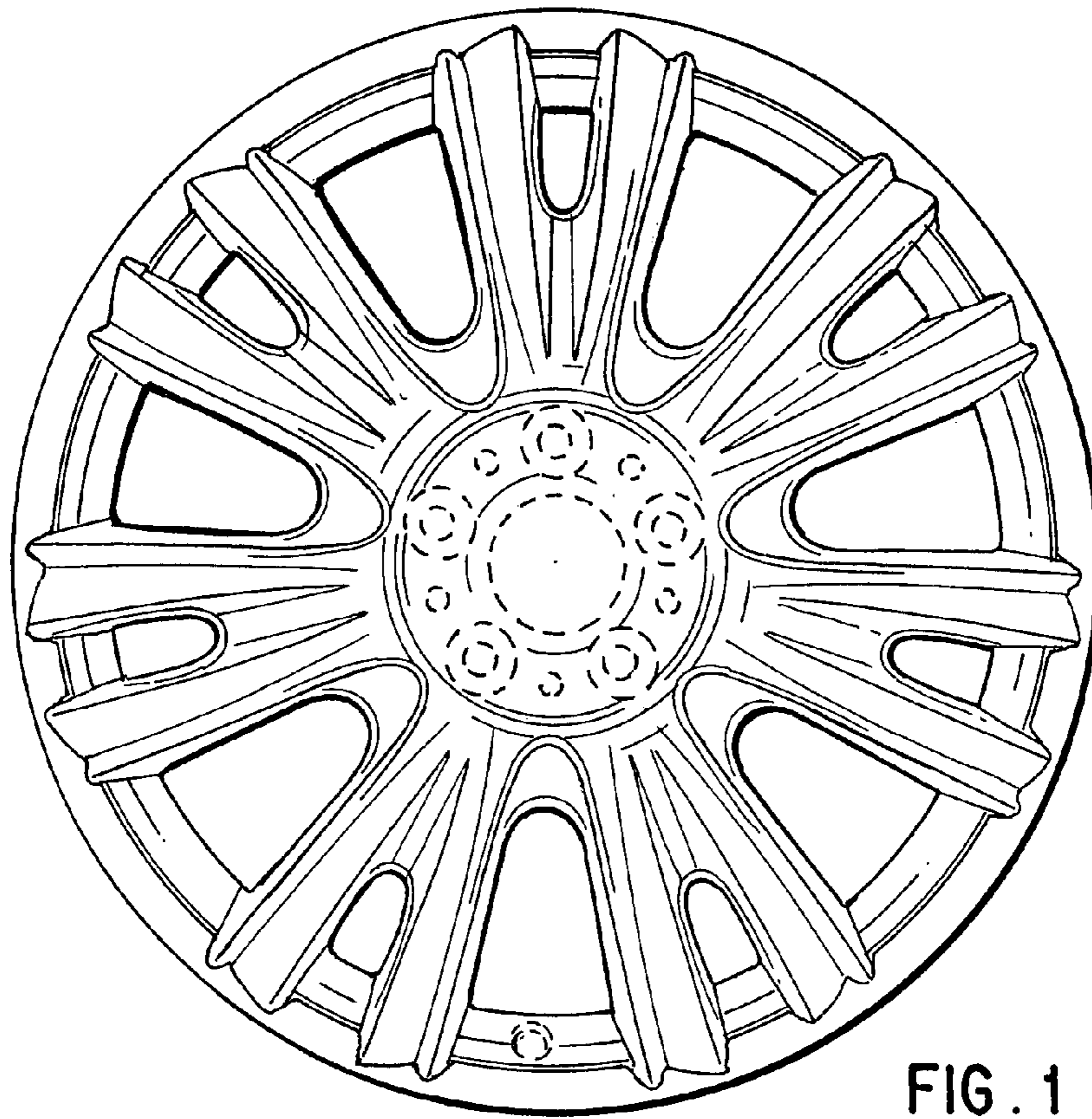


FIG. 1

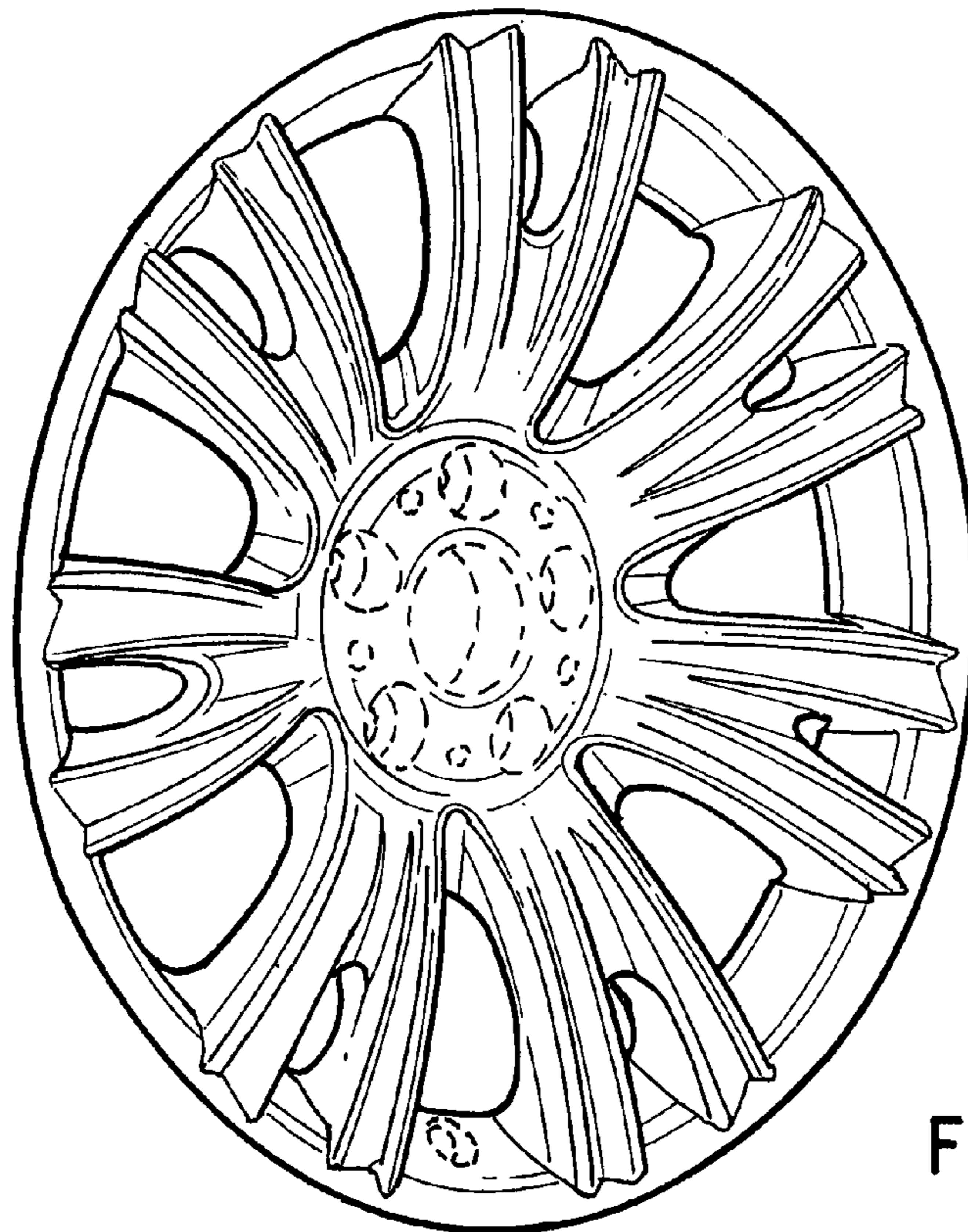


FIG. 2