

US00D567164S

(12) **United States Design Patent**
Kato

(10) **Patent No.:** **US D567,164 S**
(45) **Date of Patent:** **** Apr. 22, 2008**

(54) **FRONT DOOR LINING FOR AUTOMOBILES**

D534,849 S * 1/2007 Tamagawa et al. D12/195

(75) Inventor: **Keisuke Kato**, Wako (JP)

* cited by examiner

(73) Assignee: **Honda Motor Co., Ltd.**, Tokyo (JP)

Primary Examiner—Stacia Cadmus
(74) *Attorney, Agent, or Firm*—Westerman, Hattori, Daniels & Adrian, LLP.

(**) Term: **14 Years**

(21) Appl. No.: **29/276,353**

(57) **CLAIM**

(22) Filed: **Jan. 23, 2007**

The ornamental design for a front door lining for automobiles, as shown and described.

(30) **Foreign Application Priority Data**

Jul. 24, 2006 (JP) 2006-019373

DESCRIPTION

(51) **LOC (8) Cl.** **12-08**

FIG. 1 is a front view of the front door lining;

(52) **U.S. Cl.** **D12/195**

FIG. 2 is a plan view of the front door lining;

(58) **Field of Classification Search** D12/195,

FIG. 3 is a bottom view of the front door lining;

D12/190, 196; 49/501–502; 296/37.1, 37.13,
296/149, 153, 146.1; D8/302–303

FIG. 4 is a right side view of the front door lining;

See application file for complete search history.

FIG. 5 is a left side view of the front door lining;

(56) **References Cited**

FIG. 6 is a perspective view of the front door lining as seen from the right front side; and,

U.S. PATENT DOCUMENTS

FIG. 7 is a perspective view of the front door lining as seen from the LEFT front side.

D422,956 S * 4/2000 Leschke et al. D12/196

The broken lines are for illustrative purposes only and form no part of the claimed design.

D468,246 S * 1/2003 Wyszogrod et al. D12/195

D503,913 S * 4/2005 Wyszogrod D12/195

D519,429 S * 4/2006 Miyashita D12/195

D533,821 S * 12/2006 Tamagawa et al. D12/195

1 Claim, 4 Drawing Sheets

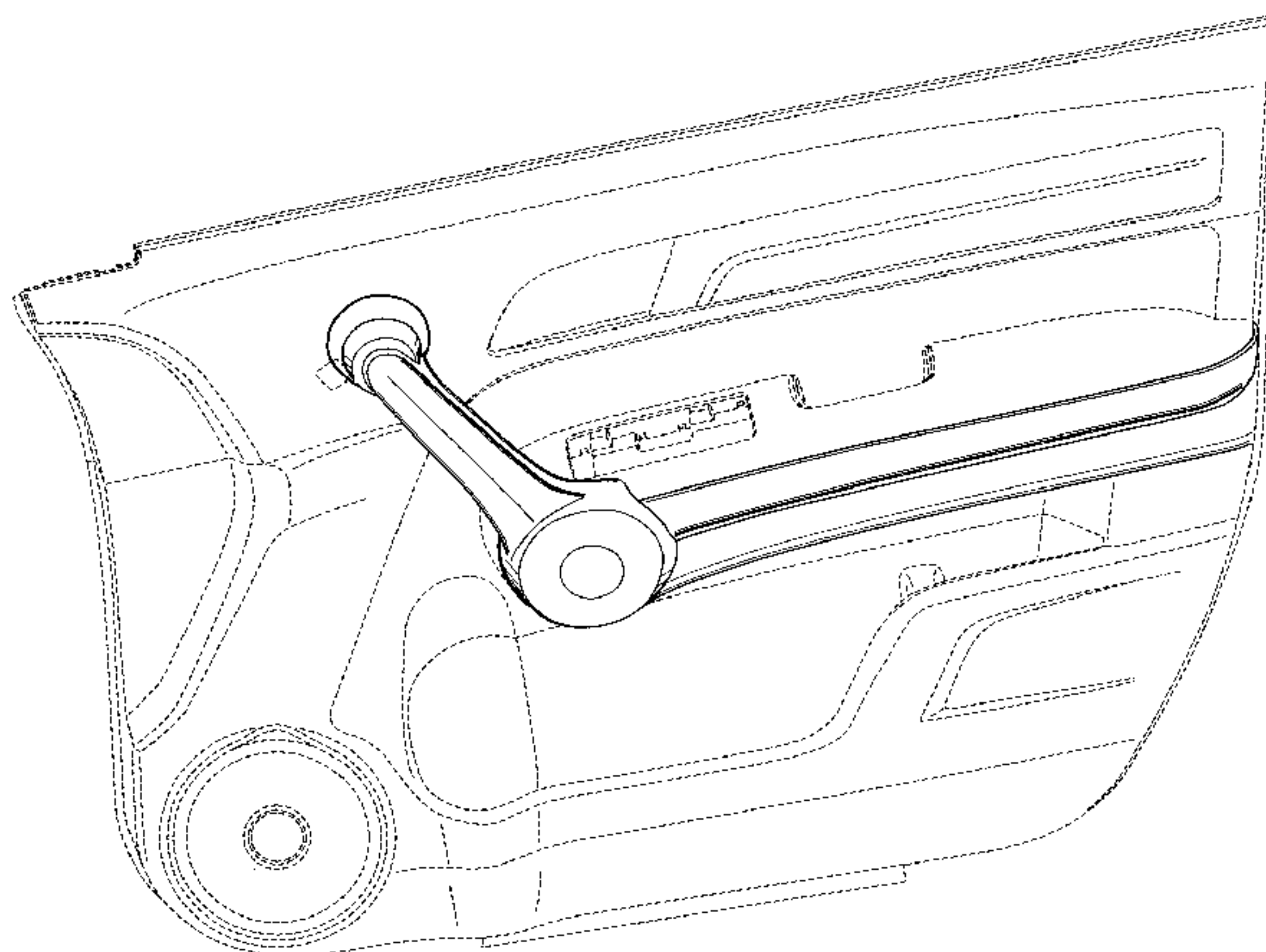
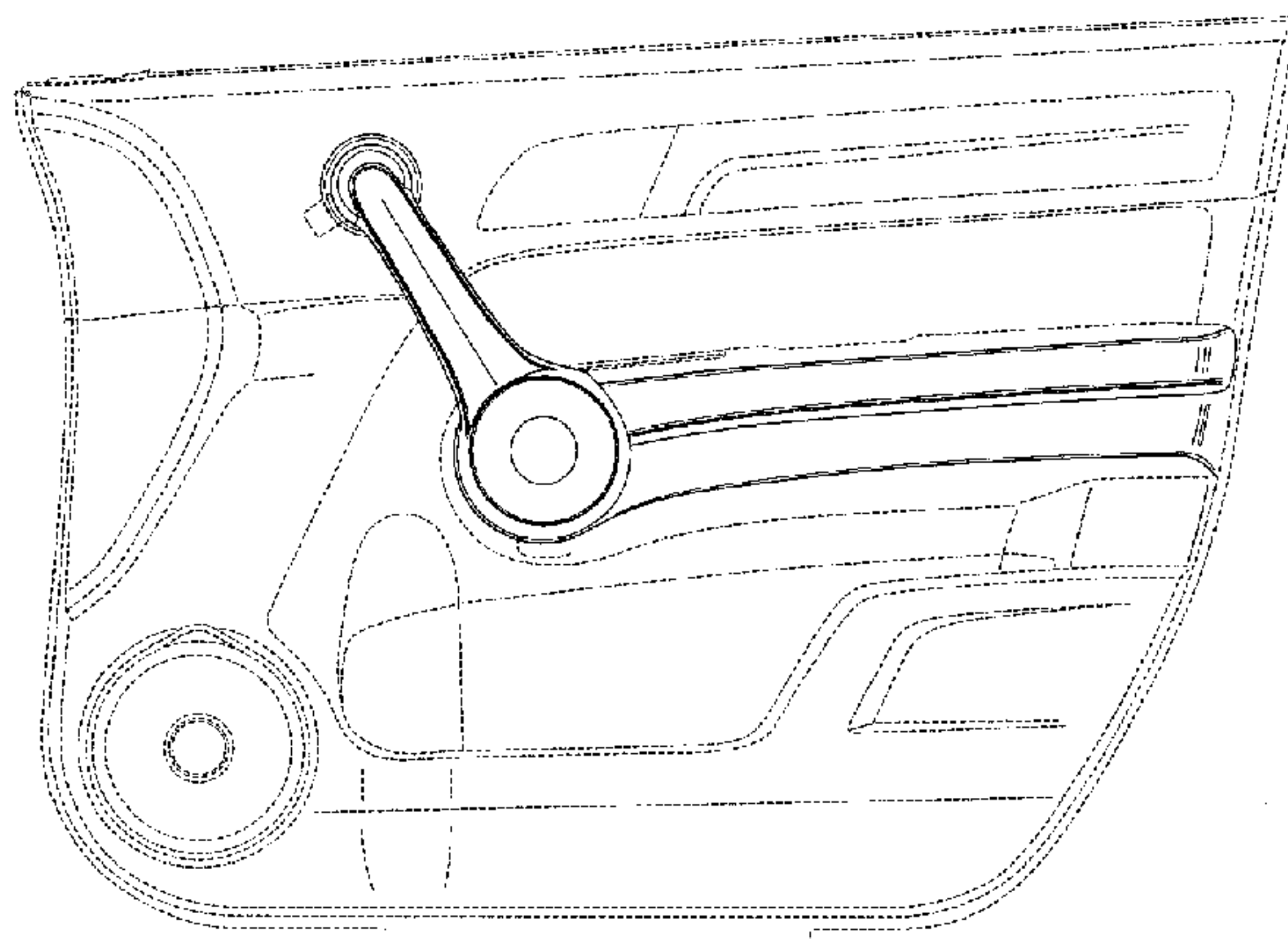


FIG.1

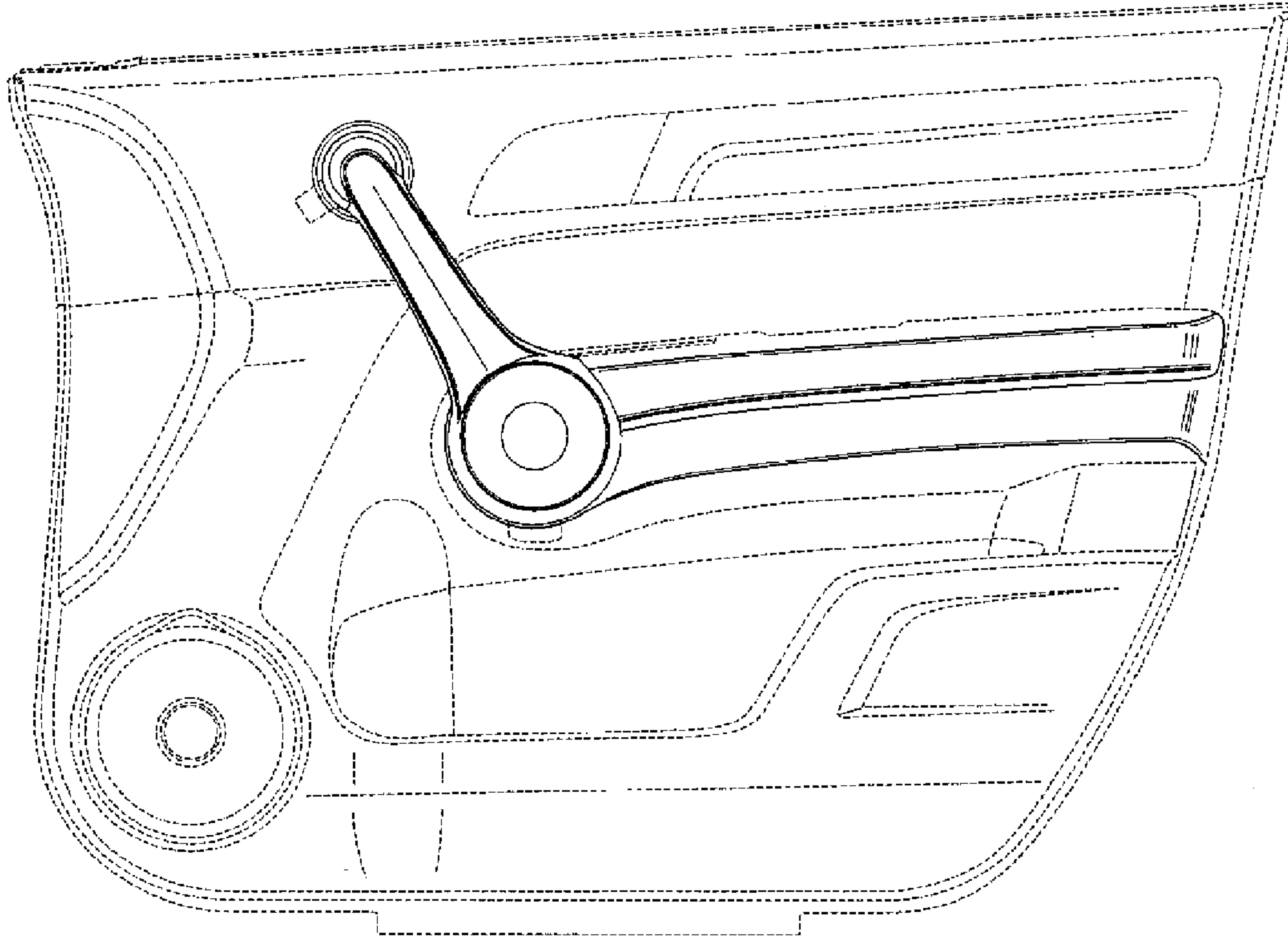


FIG.3

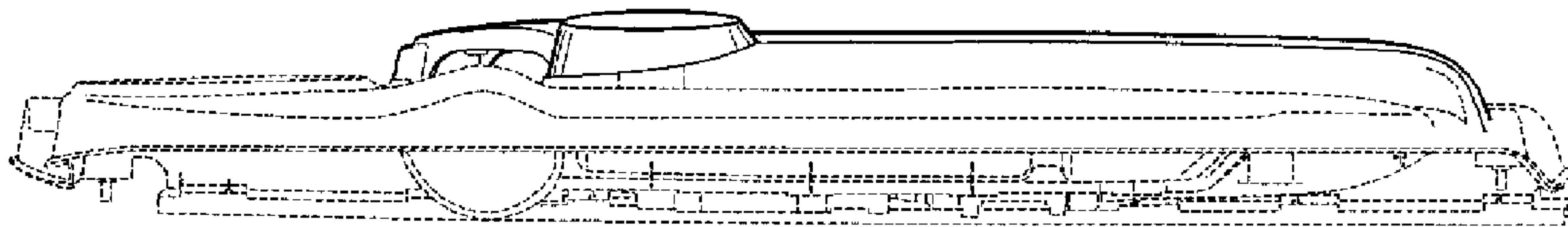


FIG.2

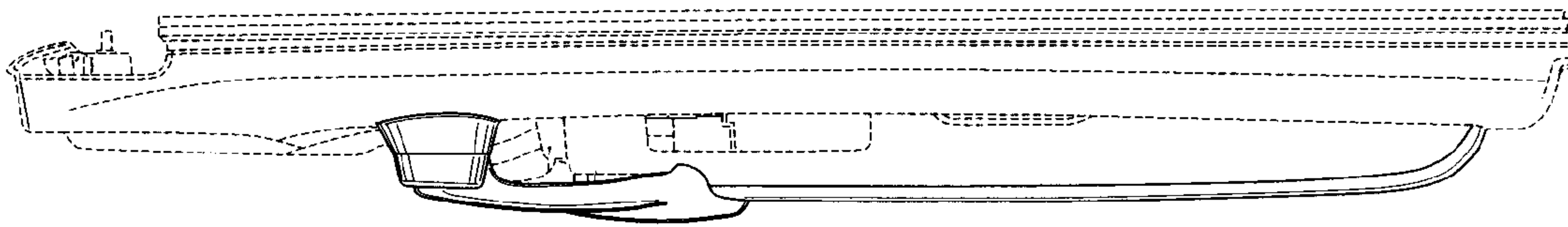


FIG.4

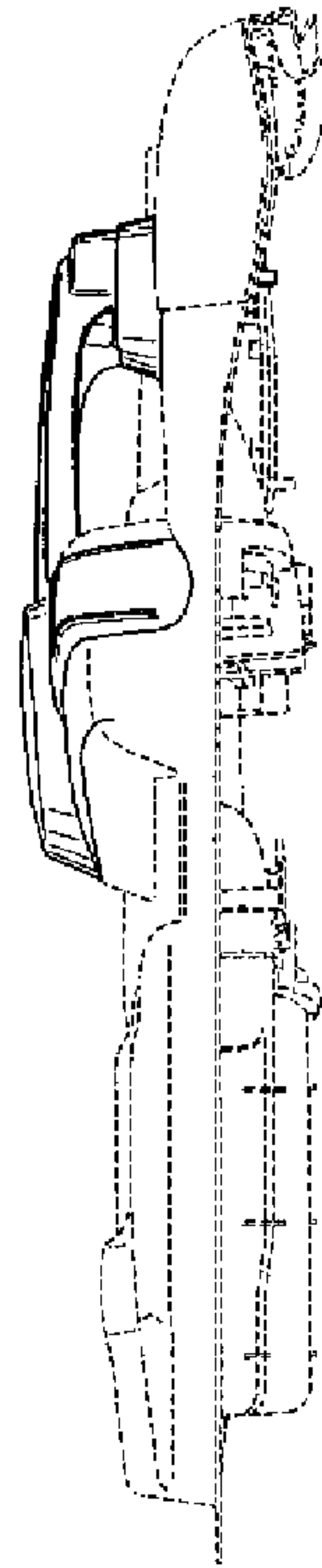


FIG.5



FIG.6

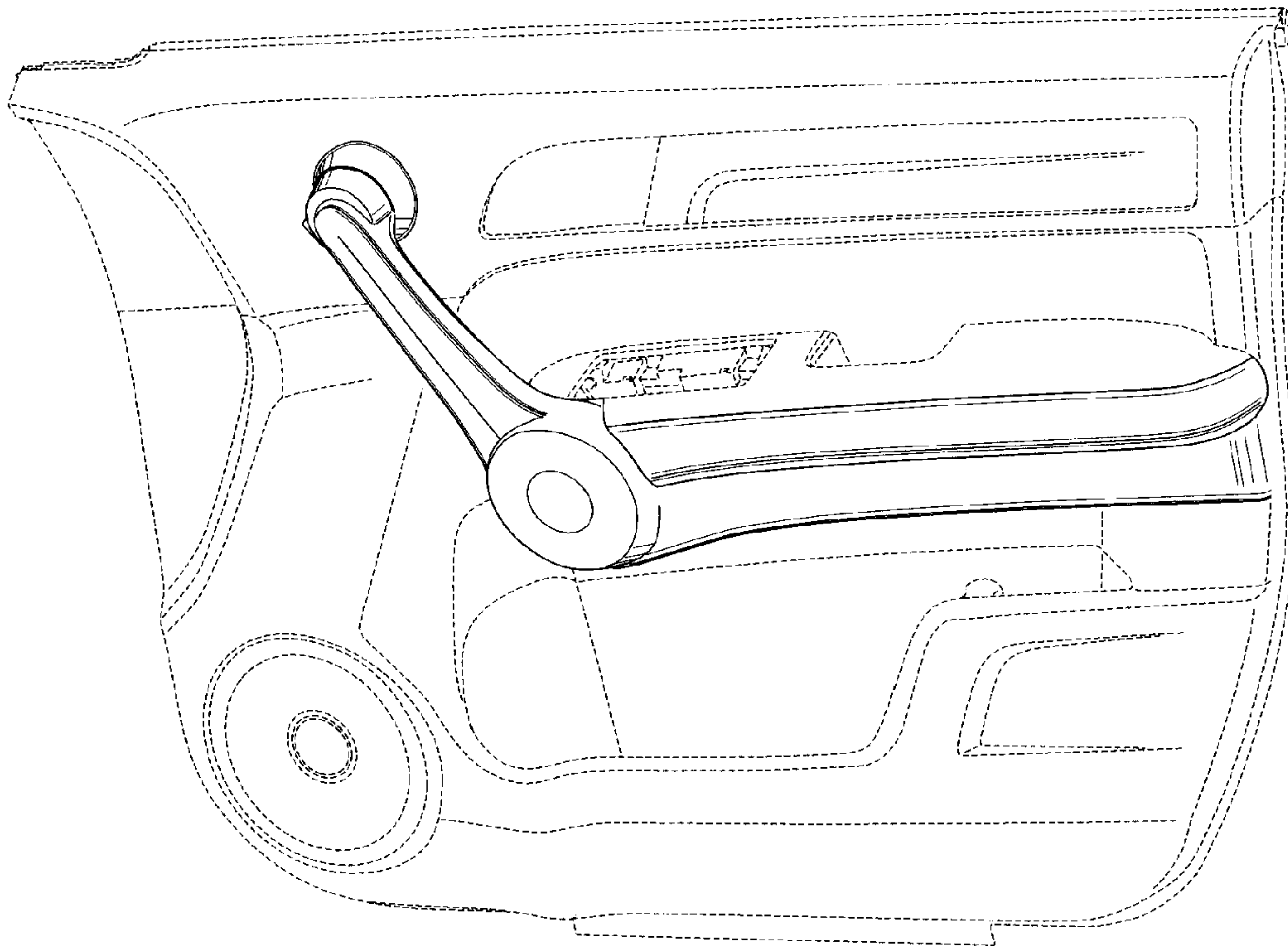


FIG.7

