

US00D567162S

(12) **United States Design Patent**  
**Motozaki et al.**

(10) **Patent No.:** **US D567,162 S**

(45) **Date of Patent:** **\*\* Apr. 22, 2008**

(54) **INSTRUMENT PANEL FOR AN  
AUTOMOBILE**

(75) Inventors: **Masaki Motozaki**, Toyota (JP);  
**Yoshihiro Yasukawa**, Toyota (JP);  
**Wataru Mamizuka**, Nagoya (JP);  
**Haruo Miyoshi**, Nagoya (JP)

(73) Assignee: **Toyota Jidosha Kabushiki Kaisha** (JP)

(\*\*) Term: **14 Years**

(21) Appl. No.: **29/285,122**

(22) Filed: **Mar. 21, 2007**

(51) **LOC (8) Cl.** ..... **12-16**

(52) **U.S. Cl.** ..... **D12/192**

(58) **Field of Classification Search** ..... D12/192,  
D12/345, 317; 180/90; 280/750-752;  
296/190.01-190.09, 70; D15/17, 28; D10/46,  
D10/98, 102-103; 362/482, 489; 73/431,  
73/866.3

See application file for complete search history.

(56) **References Cited**

**U.S. PATENT DOCUMENTS**

D369,999 S *	5/1996	Sacco et al. ....	D12/192
D403,641 S *	1/1999	Sacco et al. ....	D12/192
D423,434 S *	4/2000	Yano et al. ....	D12/192
D449,263 S *	10/2001	Yamazaki et al. ....	D12/192
D470,091 S *	2/2003	Kraus et al. ....	D12/192
D489,660 S *	5/2004	Okumura et al. ....	D12/192
D493,756 S *	8/2004	Yamamoto et al. ....	D12/192
D499,998 S *	12/2004	Tanaka et al. ....	D12/192
D512,006 S *	11/2005	Sims .....	D12/192

D512,357 S *	12/2005	Schuttera .....	D12/192
D532,353 S *	11/2006	Honda et al. ....	D12/192
D532,730 S *	11/2006	Kohara et al. ....	D12/192
D549,628 S *	8/2007	Esaki et al. ....	D12/192

**OTHER PUBLICATIONS**

Subaru, Touring Wagon, Brochure for Subaru Touring Wagon, 2006, Fujitsu Zykogyo Kabushiki Kaisha.

Website, <http://www.autos.msn.com/advice/article.aspx?contentid=4022683>, available at least as early as Mar. 2006.

Website, [http://www.mototrend.com/auto\\_show/coverage/paris/112\\_0610\\_2007\\_volkswagen\\_touareg\\_photos/photo\\_04.html](http://www.mototrend.com/auto_show/coverage/paris/112_0610_2007_volkswagen_touareg_photos/photo_04.html), available at least as early as Feb. 15, 2007.

\* cited by examiner

*Primary Examiner*—Stacia Cadmus

(74) *Attorney, Agent, or Firm*—SAIDMAN DesignLaw Group

(57) **CLAIM**

The ornamental design for an instrument panel for an automobile, as shown.

**DESCRIPTION**

FIG. 1 is a front perspective view of an instrument panel for an automobile showing our new design;

FIG. 2 is a front elevational view thereof;

FIG. 3 is a rear elevational view thereof;

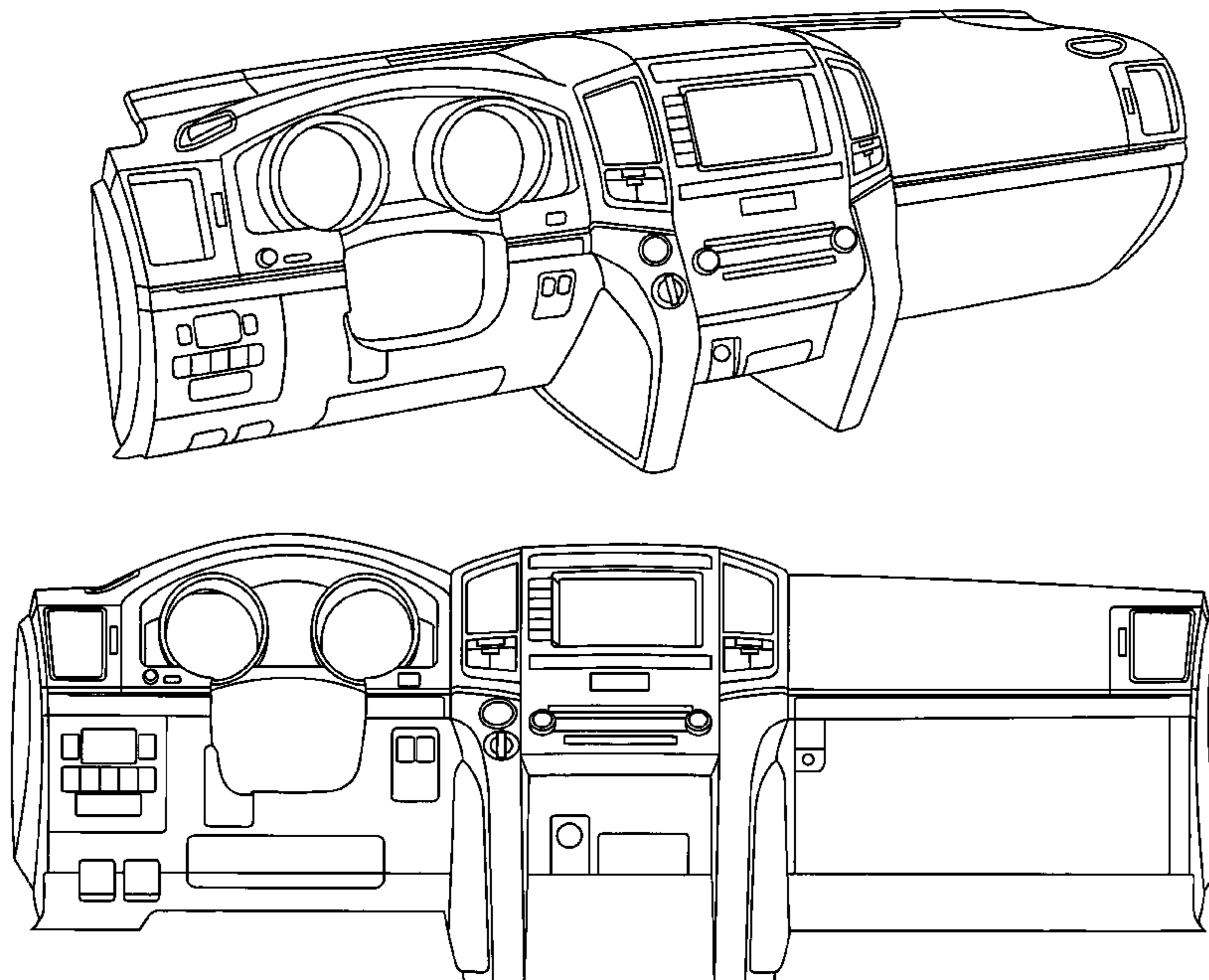
FIG. 4 is a top plan view thereof;

FIG. 5 is a bottom plan view thereof;

FIG. 6 is a left side elevational view thereof; and,

FIG. 7 is a right side elevational view thereof.

**1 Claim, 6 Drawing Sheets**



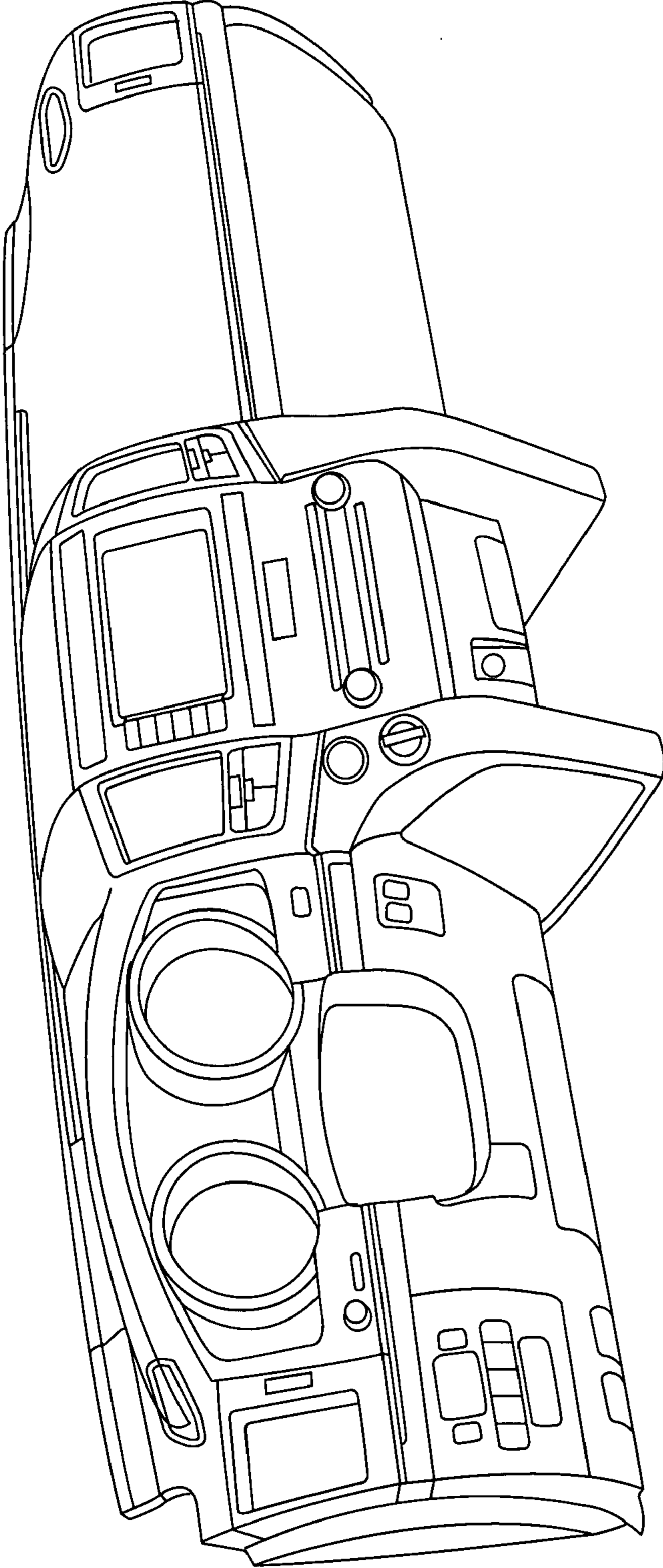
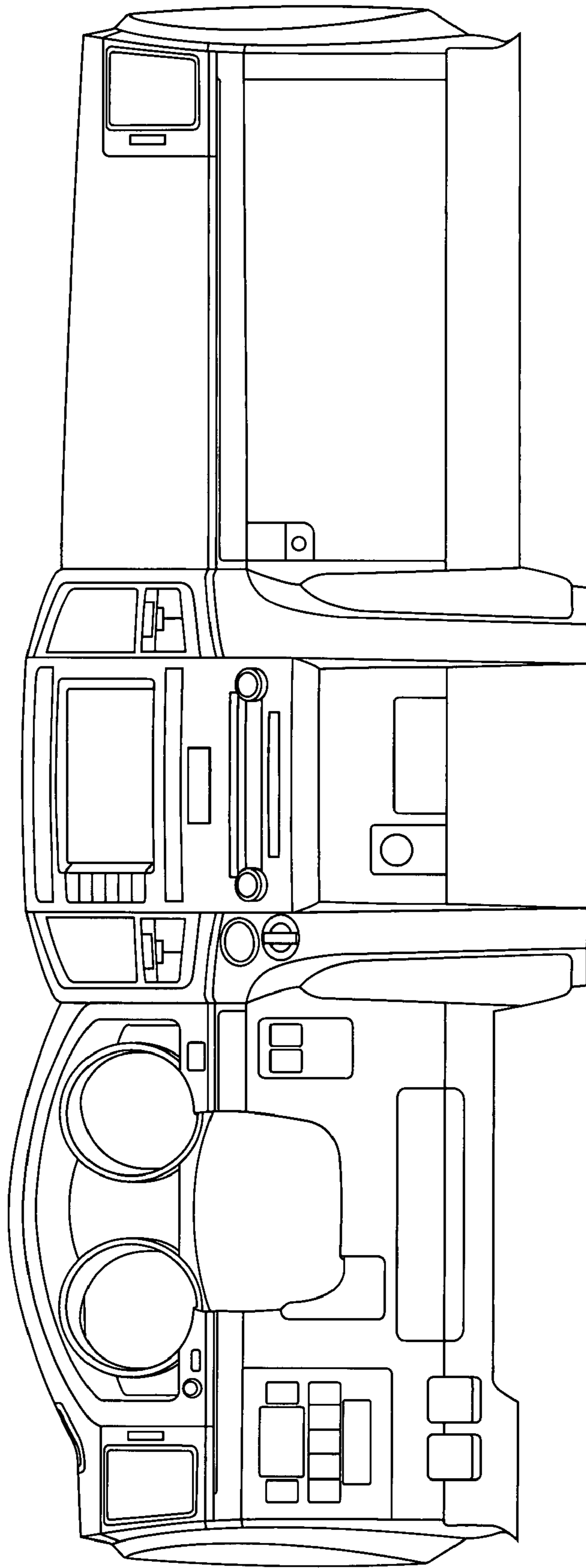


Fig. 1

Fig. 2



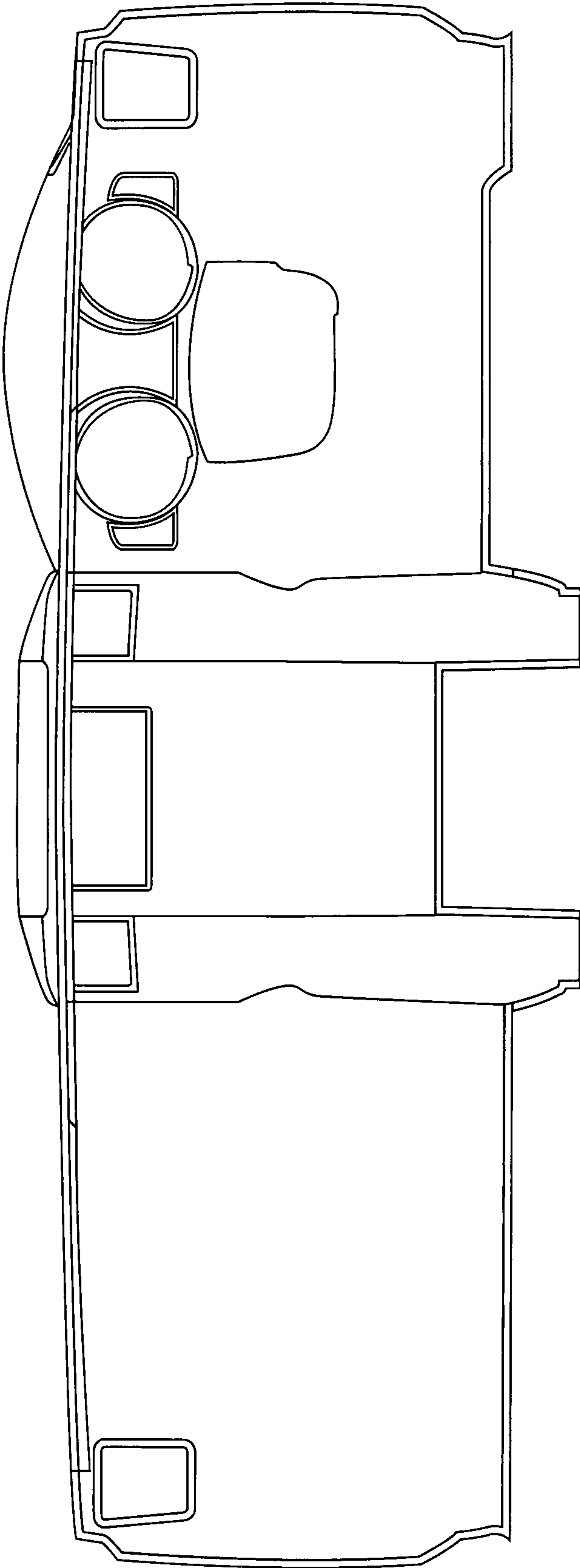


Fig. 3

Fig. 4

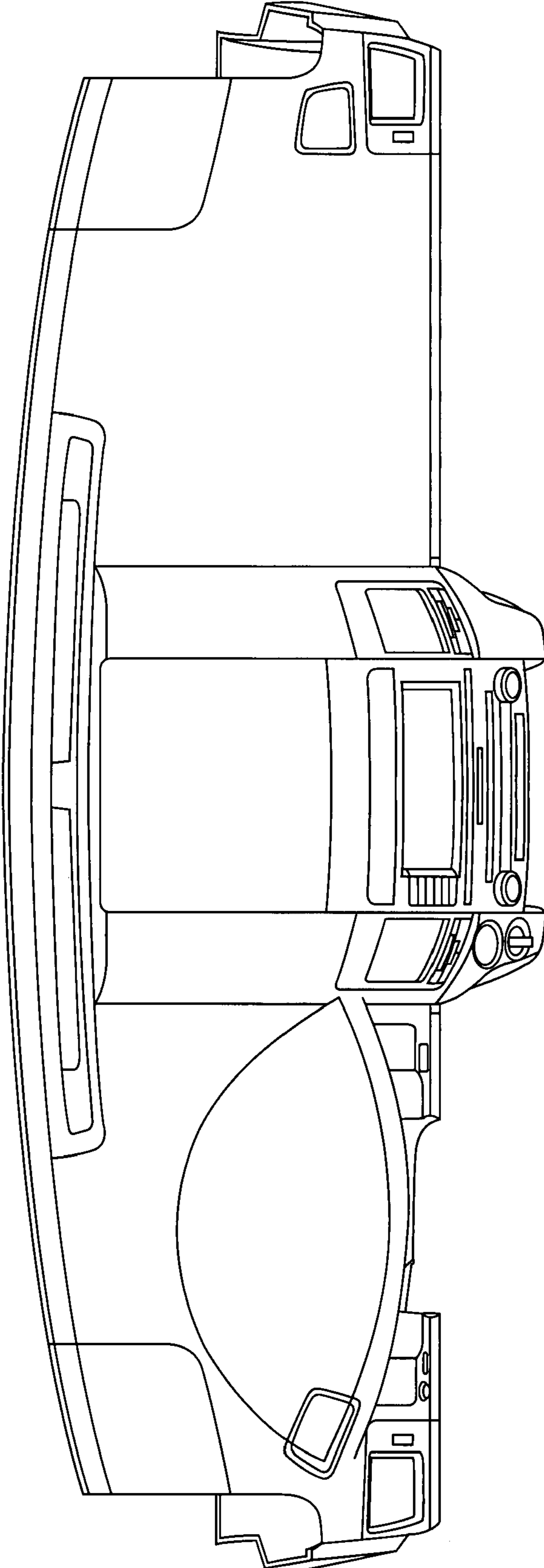


Fig. 5

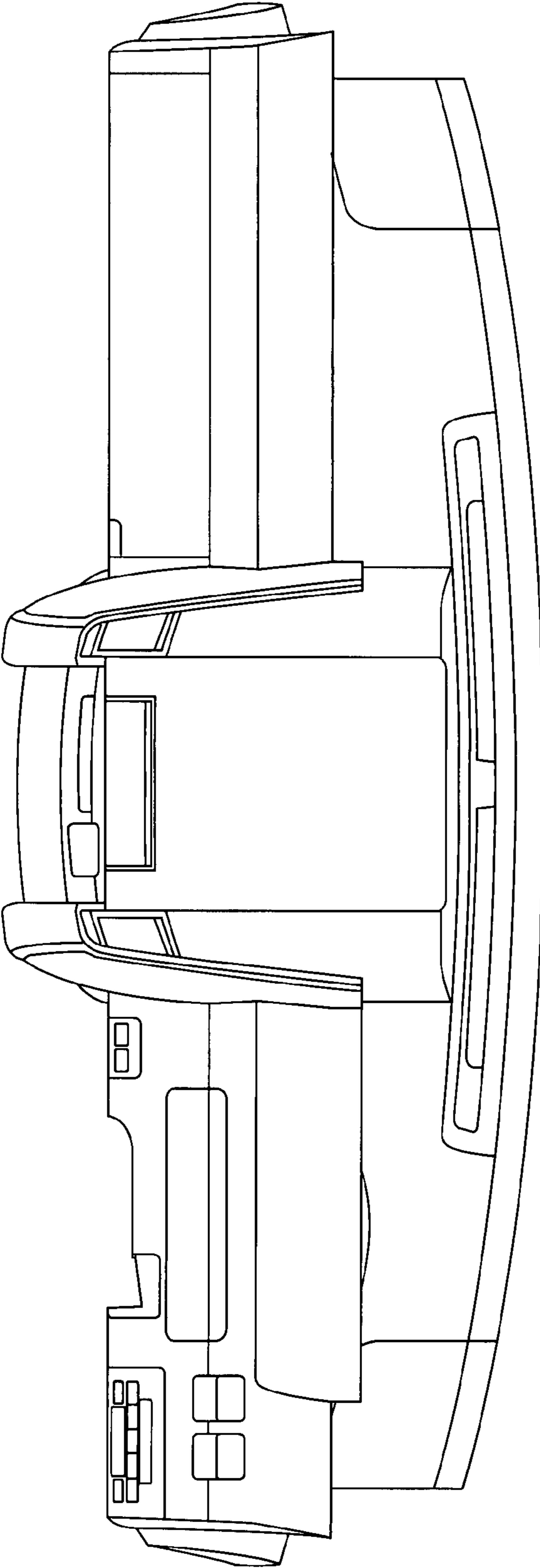


Fig. 7

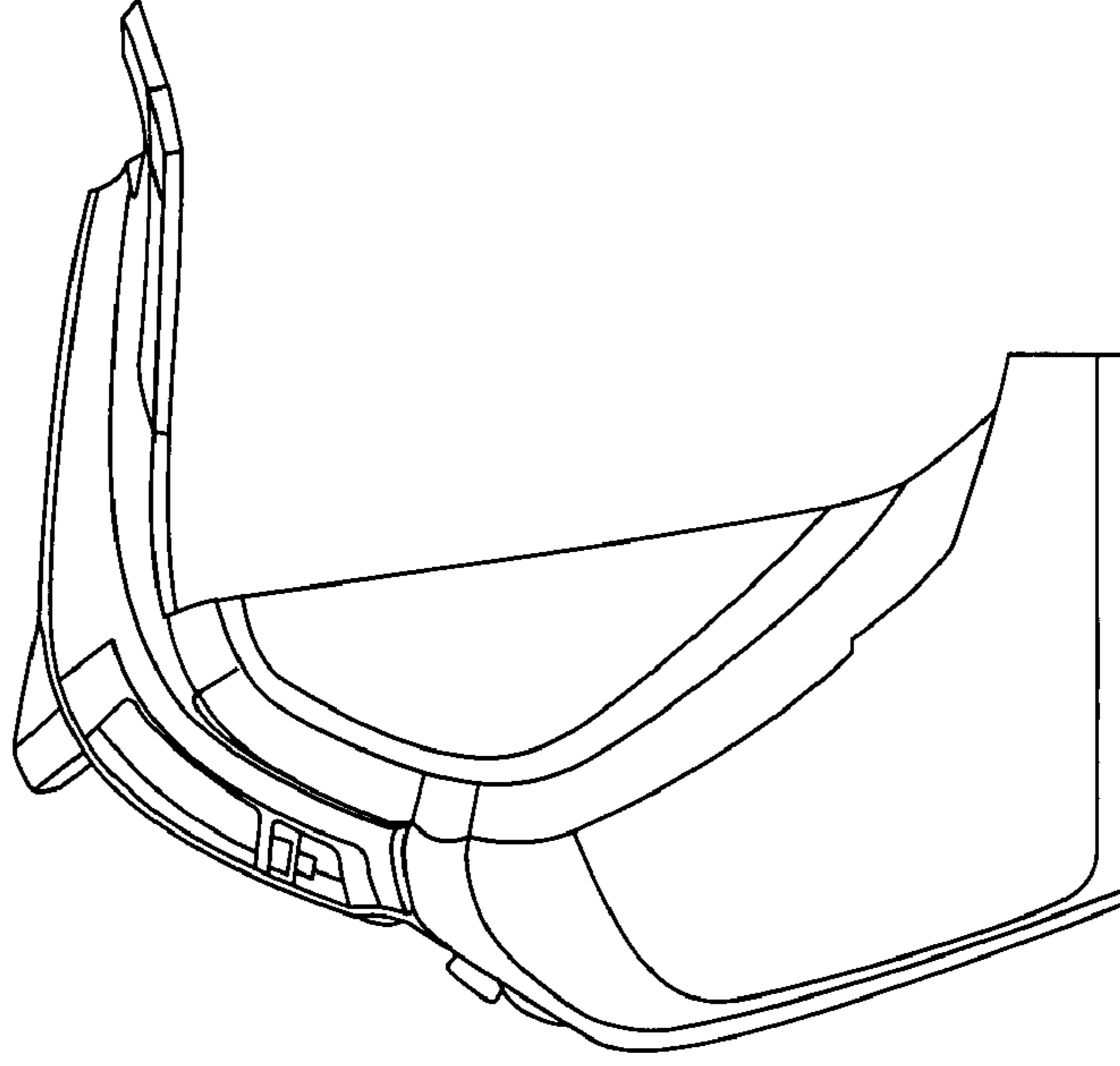


Fig. 6

