



US00D567154S

(12) **United States Design Patent**
Cunningham

(10) **Patent No.:** **US D567,154 S**

(45) **Date of Patent:** **** Apr. 22, 2008**

(54) **VEHICLE GRILLE**

(75) Inventor: **Roy Curtis Cunningham**, Belton, MO
(US)

(73) Assignee: **Carriage Works, Inc.**, Grandview, MO
(US)

(**) Term: **14 Years**

(21) Appl. No.: **29/280,197**

(22) Filed: **May 21, 2007**

(51) **LOC (8) Cl.** **12-16**

(52) **U.S. Cl.** **D12/163**

(58) **Field of Classification Search** D12/163,
D12/171, 90-92, 216, 169, 196; 180/68.1,
180/68.6; 296/193.11; 293/102, 113, 115
See application file for complete search history.

(56) **References Cited**

U.S. PATENT DOCUMENTS

D507,214 S * 7/2005 Marchese et al. D12/163
D531,554 S * 11/2006 Conkey et al. D12/163

D533,484 S * 12/2006 Behmer et al. D12/163
D535,223 S * 1/2007 Gaffka et al. D12/163
D546,248 S * 7/2007 Conkey et al. D12/163

* cited by examiner

Primary Examiner—Melody N. Brown

(74) *Attorney, Agent, or Firm*—Shook, Hardy & Bacon,
L.L.P.

(57) **CLAIM**

The ornamental design for a vehicle grille, as shown and described.

DESCRIPTION

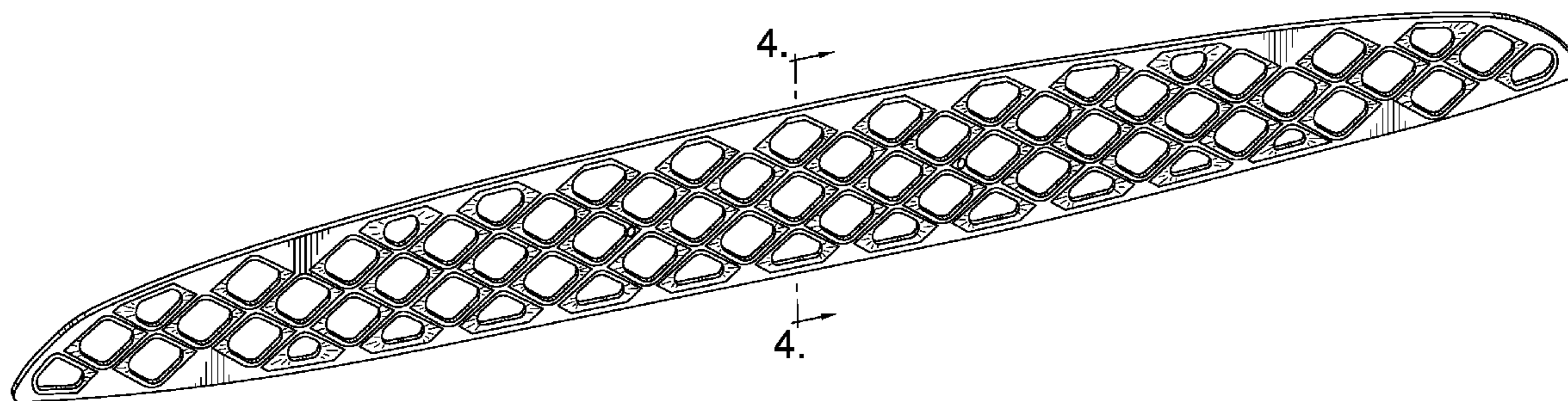
FIG. 1 is a perspective view of a vehicle grille showing the new design;

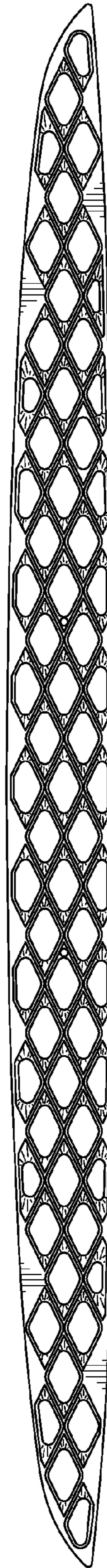
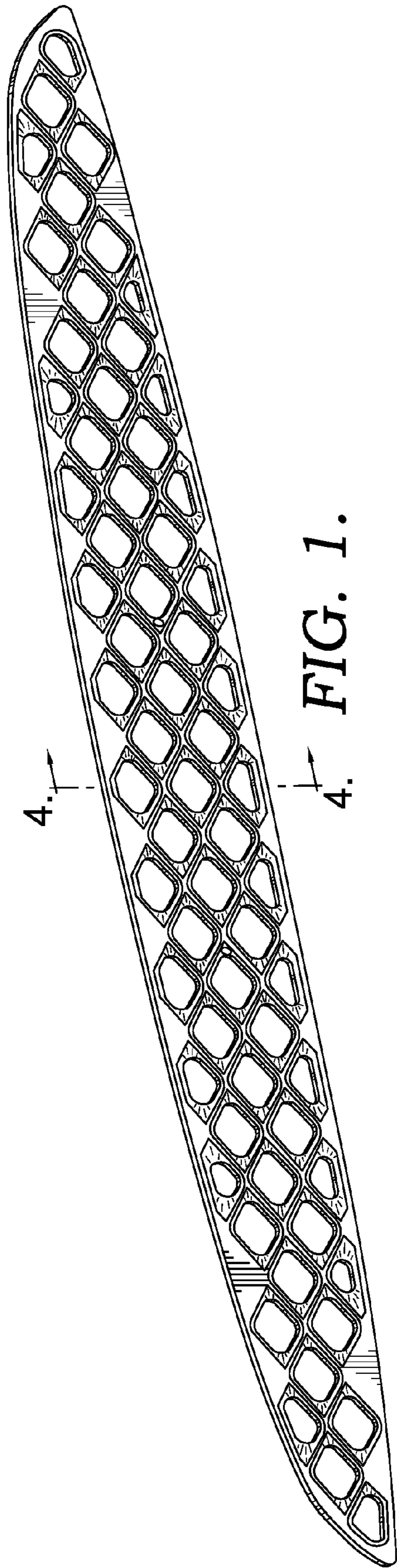
FIG. 2 is front elevational view thereof;

FIG. 3 is a rear elevational view thereof; and,

FIG. 4 is an enlarged cross-sectional view thereof taken along line 4—4 of FIG. 1 detailing the shape of the design and the through holes of the vehicle grille.

1 Claim, 3 Drawing Sheets





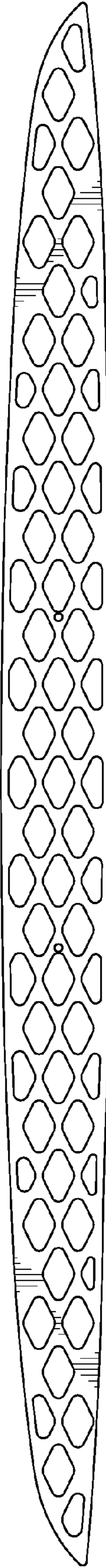


FIG. 3.

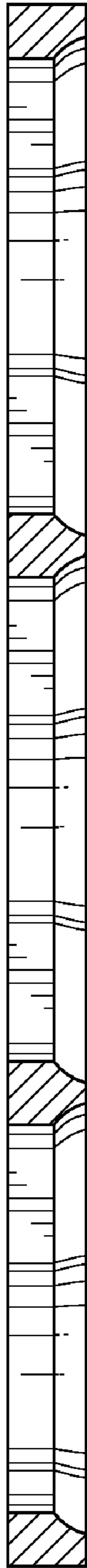


FIG. 4.