



US00D567152S

(12) **United States Design Patent**
Tachibana

(10) **Patent No.:** **US D567,152 S**

(45) **Date of Patent:** **** Apr. 22, 2008**

(54) **GRILL FOR AN AUTOMOBILE**

(75) Inventor: **Kunihiko Tachibana**, Wako (JP)

(73) Assignee: **Honda Motor Co., Ltd.**, Tokyo (JP)

(**) Term: **14 Years**

(21) Appl. No.: **29/244,804**

(22) Filed: **Dec. 15, 2005**

(30) **Foreign Application Priority Data**

Jun. 16, 2005 (JP) 2005-017506

(51) **LOC (8) Cl.** **12-16**

(52) **U.S. Cl.** **D12/163**

(58) **Field of Classification Search** D12/163,
D12/171, 90-92, 216, 169, 196; 180/68.1,
180/68.6; 296/193.11; 293/102, 113, 115
See application file for complete search history.

(56) **References Cited**

U.S. PATENT DOCUMENTS

- D460,390 S * 7/2002 Sinkwitz D12/163
- D461,751 S * 8/2002 Suzuki D12/163
- D486,764 S * 2/2004 Tachibana D12/163

- D518,422 S * 4/2006 Nakamura D12/163
- D519,889 S * 5/2006 Kawasaki D12/163
- D524,198 S * 7/2006 Fukuda et al. D12/163
- D525,570 S * 7/2006 Sugiura et al. D12/163

FOREIGN PATENT DOCUMENTS

JP 1223786 S 11/2004

* cited by examiner

Primary Examiner—Melody N. Brown

(74) *Attorney, Agent, or Firm*—Arent Fox LLP

(57) **CLAIM**

The ornamental design for a grill for an automobile, as shown and described.

DESCRIPTION

FIG. 1 is a front view of the grill for an automobile.

FIG. 2 is a top plan view of the grill for an automobile.

FIG. 3 is a right side view of the grill for an automobile.

FIG. 4 is a left side view of the grill for an automobile; and,

FIG. 5 is a front perspective view of the grill for an automobile.

1 Claim, 3 Drawing Sheets

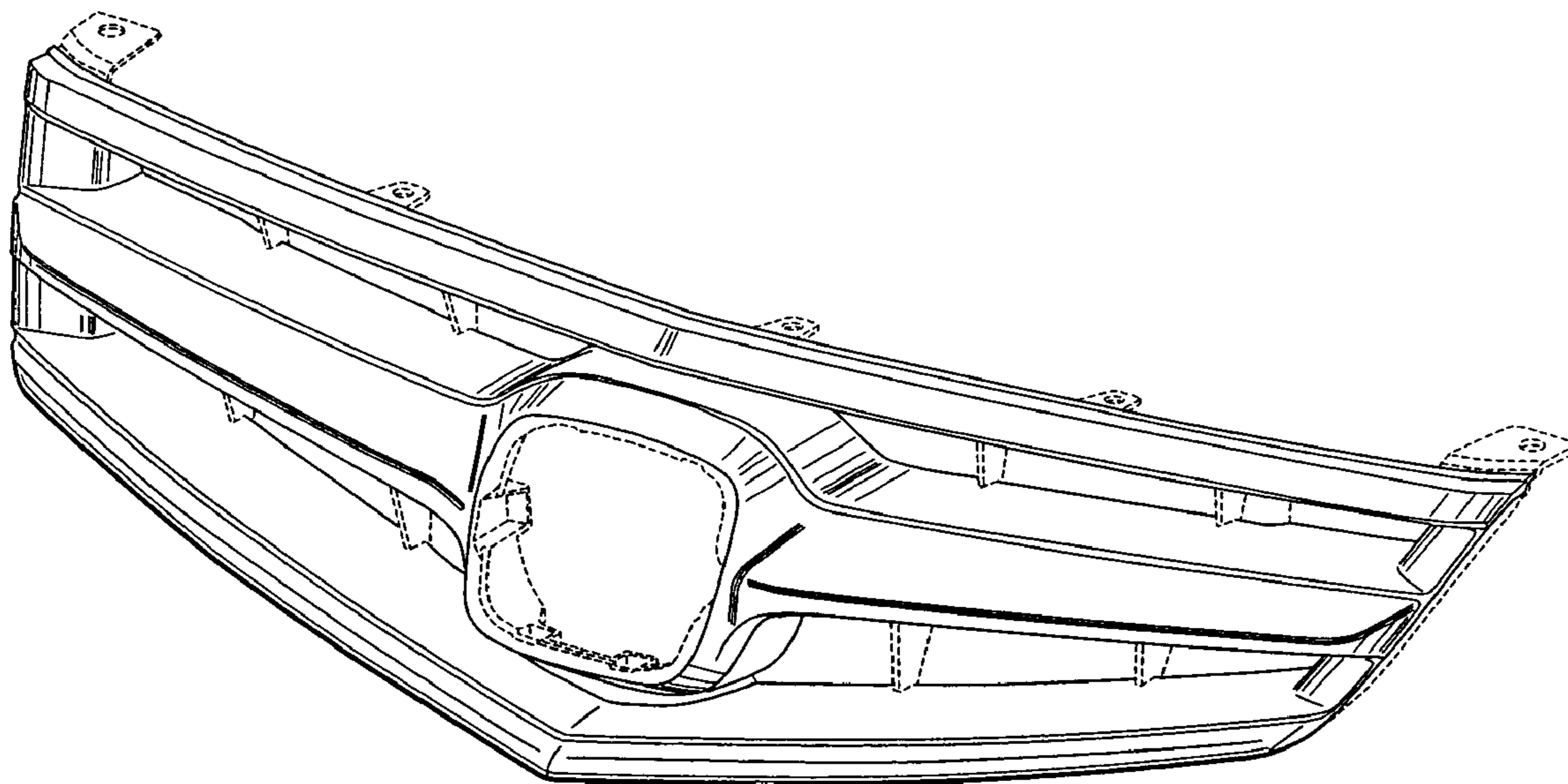


FIG.1

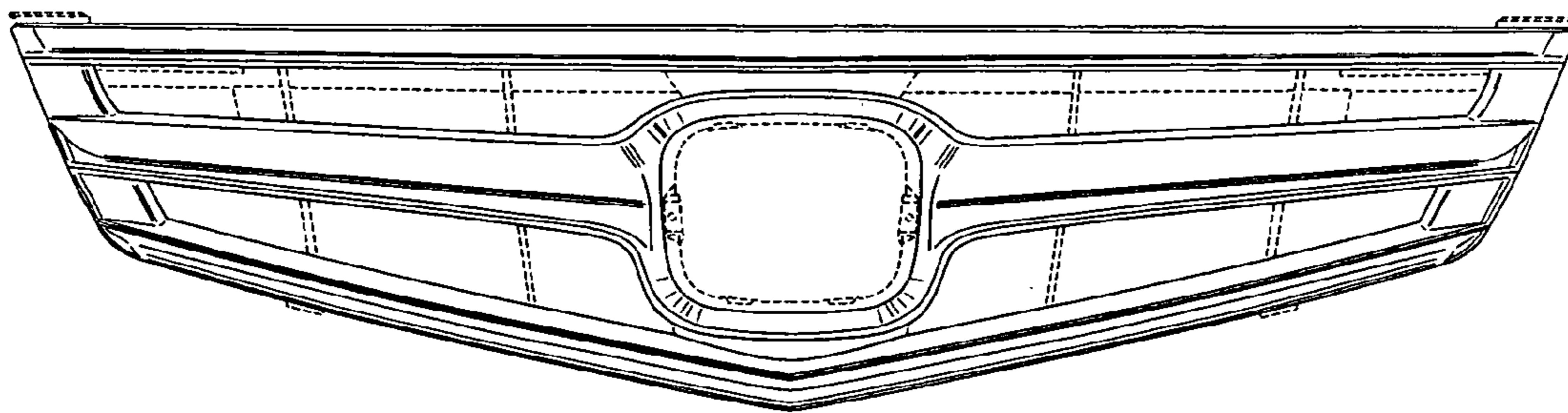


FIG.2

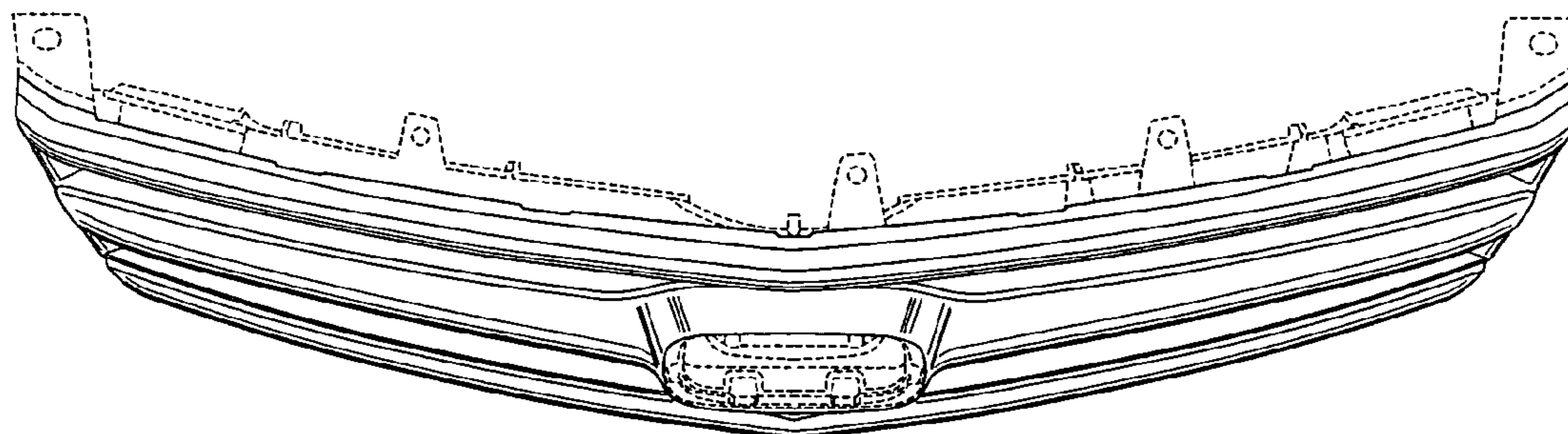


FIG.3

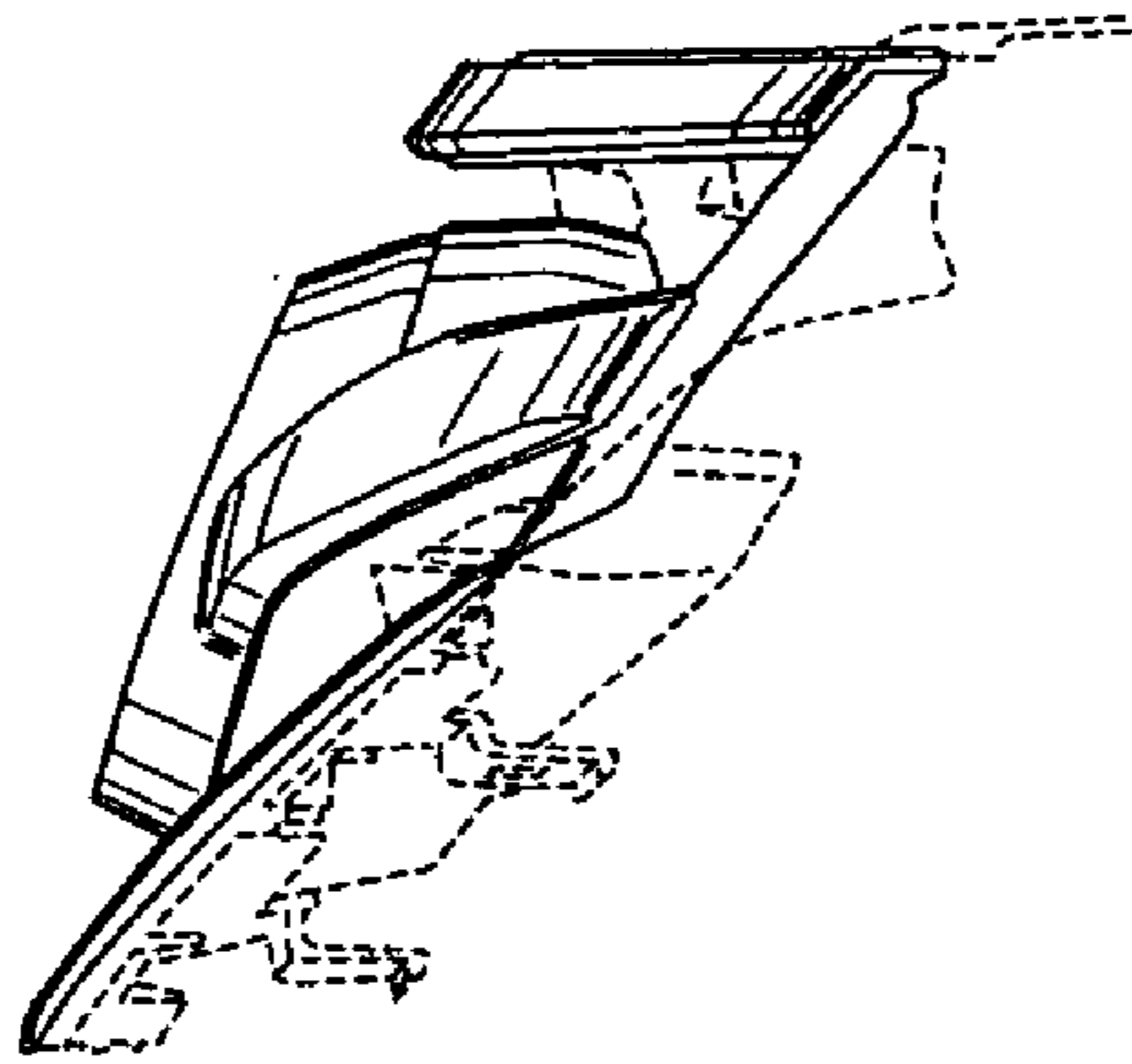


FIG.4

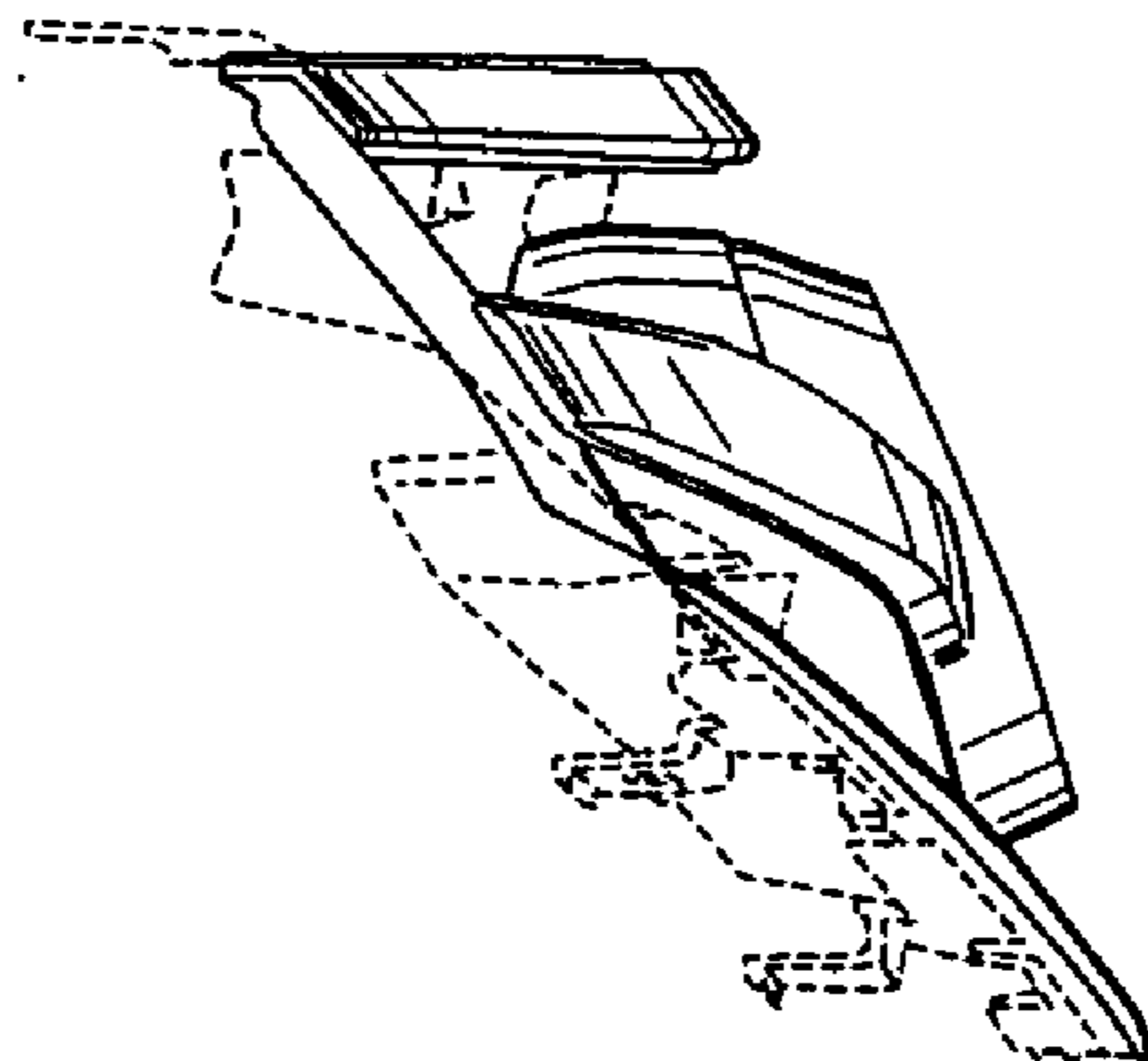


FIG.5

