



US00D567151S

(12) **United States Design Patent** (10) **Patent No.:** **US D567,151 S**
Owens (45) **Date of Patent:** **** Apr. 22, 2008**

(54) **ROLLATOR**

(75) Inventor: **John Owens**, Elyria, OH (US)

(73) Assignee: **Invacare Corporation**, Elyria, OH (US)

(**) Term: **14 Years**

(21) Appl. No.: **29/188,390**

(22) Filed: **Aug. 18, 2003**

4,619,282 A 10/1986 Battiston
4,640,301 A 2/1987 Battiston, Sr. et al.
4,643,211 A 2/1987 Morris et al.
4,676,416 A 6/1987 Harmon
4,800,910 A * 1/1989 Gamm 135/67
4,800,911 A 1/1989 Endres et al.
4,830,035 A * 5/1989 Liu 135/67
4,907,794 A 3/1990 Rose
4,907,839 A 3/1990 Rose et al.
4,946,058 A * 8/1990 Stamm 220/23.83
D310,646 S 9/1990 Rose
4,974,760 A 12/1990 Miller

(Continued)

Related U.S. Application Data

(63) Continuation of application No. 09/977,122, filed on Oct. 12, 2001, now Pat. No. 7,040,637.

(51) **LOC (8) Cl.** **12-12**

(52) **U.S. Cl.** **D12/130**

(58) **Field of Classification Search** D12/128-133; 267/5; 135/65-67, 74, 912; 280/647, 650, 280/29, 200, 250.1, 259; 297/DIG. 4; 296/65.03, 296/65.04; 224/409; D6/364

See application file for complete search history.

(56) **References Cited**

U.S. PATENT DOCUMENTS

1,448,783 A 3/1923 Blewitt et al.
2,685,325 A 8/1954 Webster
2,796,533 A 7/1957 Frank
2,798,533 A 7/1957 Frank
2,866,495 A 12/1958 Diehl et al.
3,159,428 A 12/1964 Schler
3,354,893 A 11/1967 Schmerl
3,442,276 A * 5/1969 Thomas et al. 135/67
3,462,195 A 8/1969 Allen
3,688,789 A 9/1972 Bunch
4,046,374 A 9/1977 Breyley
D246,302 S 11/1977 Thomas
4,298,016 A * 11/1981 Garelick 135/67
D268,017 S * 2/1983 Thomas D12/130
4,438,603 A 3/1984 Durkan, Jr.
4,461,471 A 7/1984 Brastow
4,518,002 A 5/1985 Battiston, Sr. et al.
4,616,668 A 10/1986 Battiston

OTHER PUBLICATIONS

Action Lifestyles by Invacare, catalog 1991.

(Continued)

Primary Examiner—Charles A. Rademaker
Assistant Examiner—Charles D Hanson
(74) *Attorney, Agent, or Firm*—Calfee, Halter & Griswold LLP

(57) **CLAIM**

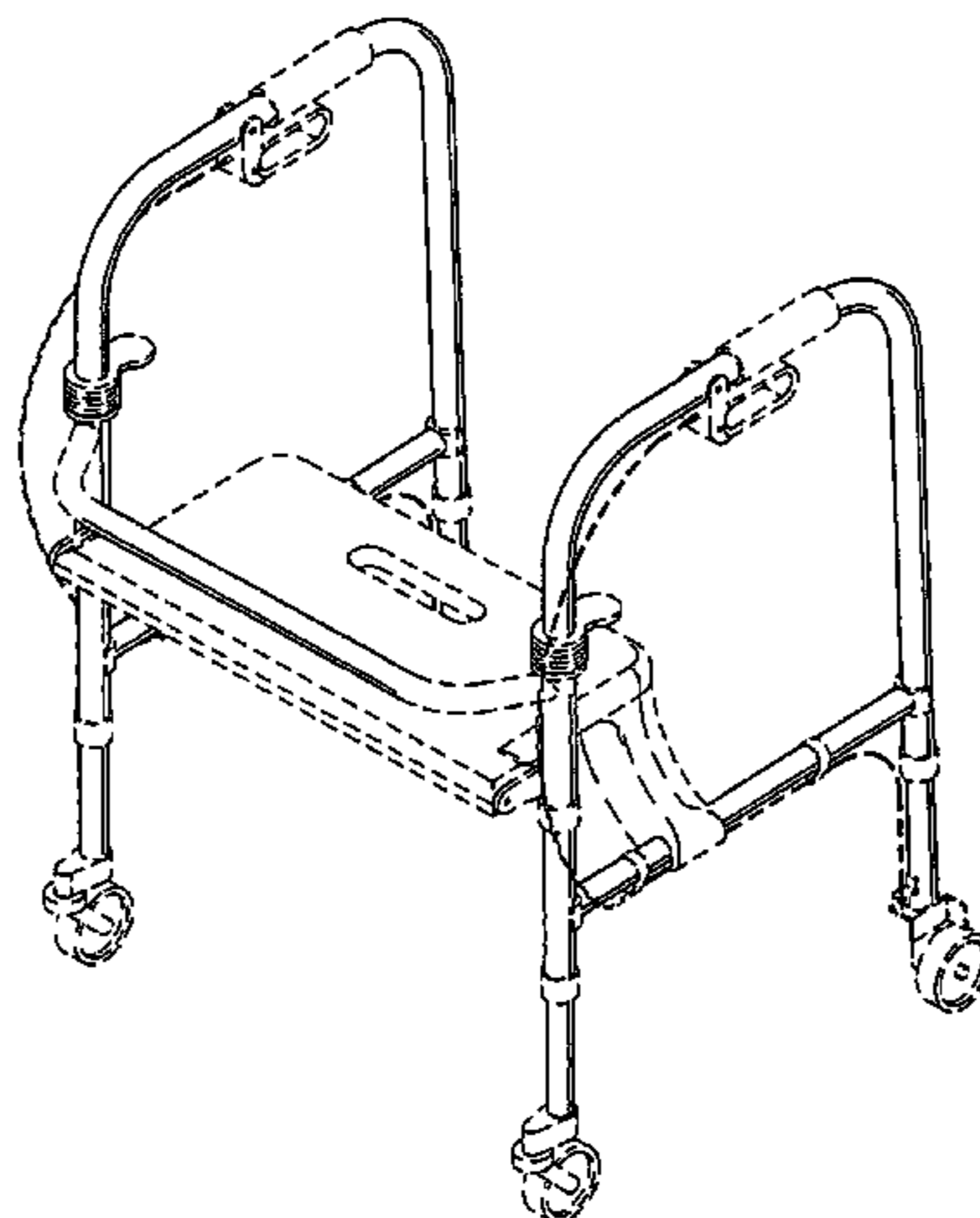
The ornamental design for an rollator, as shown and described.

DESCRIPTION

FIG. 1 is a rear perspective of a rollator showing my new design;
FIG. 2 is a left side view thereof;
FIG. 3 is a front view thereof;
FIG. 4 is a right side view thereof;
FIG. 5 is a back view thereof;
FIG. 6 is a top view thereof;
FIG. 7 is a bottom view thereof; and,
FIG. 8 is a front perspective view thereof.

The portions of the Figures shown in phantom lines are not part of the claimed design but are for illustration only.

1 Claim, 5 Drawing Sheets



U.S. PATENT DOCUMENTS

5,020,560 A 6/1991 Turbeville
 5,172,715 A 12/1992 Webb
 5,201,333 A 4/1993 Shalmon et al.
 5,224,717 A 7/1993 Lowen
 5,224,721 A 7/1993 Santmann
 5,238,013 A 8/1993 Battiston et al.
 5,271,422 A 12/1993 Sorrell et al.
 5,273,063 A 12/1993 Farr et al.
 5,275,187 A 1/1994 Davis
 D344,917 S 3/1994 Kjell et al.
 5,320,122 A 6/1994 Jacobson, II et al.
 5,353,824 A 10/1994 Woods et al.
 5,392,802 A * 2/1995 Farr et al. 135/66
 5,409,028 A 4/1995 Lee
 5,419,571 A 5/1995 Vaughan
 5,433,235 A 7/1995 Miric et al.
 5,451,193 A 9/1995 Pickard
 5,529,425 A 6/1996 Spies et al.
 5,531,238 A 7/1996 Azzarelli et al.
 D373,555 S 9/1996 Ward et al.
 5,558,358 A 9/1996 Johnson
 5,560,636 A 10/1996 Chen
 D375,708 S 11/1996 Ahlbertz
 5,579,793 A 12/1996 Gajewski et al.
 5,603,517 A 2/1997 Lorman
 5,606,985 A 3/1997 Battiston et al.
 5,772,234 A 6/1998 Luo
 D395,853 S 7/1998 Luo
 5,791,360 A 8/1998 Battiston et al.
 5,862,067 A 1/1999 Mennemeier et al.
 5,862,825 A 1/1999 Leonard
 5,882,067 A 3/1999 Carbajal et al.
 5,887,887 A 3/1999 Keuning
 5,904,168 A 5/1999 Alylyan
 5,979,476 A 11/1999 Cranny
 6,009,571 A 1/2000 Battiston et al.
 D422,539 S 4/2000 Jacobson
 6,099,002 A 8/2000 Uchiyama
 6,138,301 A 10/2000 Battiston
 D441,694 S 5/2001 Kjell et al.
 D448,706 S 10/2001 Ferm
 6,338,355 B1 1/2002 Cheng
 6,338,493 B1 1/2002 Wohlgemuth et al.
 6,345,835 B1 2/2002 Watkins
 6,371,142 B1 4/2002 Battison
 6,378,883 B1 4/2002 Epstein
 D457,111 S 5/2002 Galleguillos
 D465,178 S 11/2002 Hart
 6,481,730 B2 11/2002 Sung
 6,494,469 B1 12/2002 Hara et al.
 D480,666 S 10/2003 Owens
 D480,995 S 10/2003 Owens
 6,659,478 B2 12/2003 Hallgrimsson et al.
 6,990,990 B2 * 1/2006 Wilensky et al. 135/67
 7,040,637 B2 5/2006 Owens et al.
 D522,932 S * 6/2006 LeBlanc et al. D12/130

OTHER PUBLICATIONS

Drive Medical Design and Manufacturing Products, catalog undated.

Durable Medical Equipment, catalog 2001.
 Eagle Health Supplies, New Products, 2002, 2 pgs.
 Guardian Walking Aids, catalog 2001.
 Invacare Ambulatory, Feb. 1996.
 Invacare Personal Care Products, catalog 2000.
 Invacare Personal Care Products, catalog 2001.
 Medical Depot Inc., products catalog 2001.
 More Great Options From Invacare, catalog 1994.
 New Walkers and Accessories, Invacare, catalog Mar. 29, 1994.
 New Walkers and Accessories, Invacare, catalog Oct. 1, 1994.
 Pro Basics Ambulatory Aids, www.pmiusa.biz/html_files/ambulatory.html, Sep. 23, 2003.
 Walking Aids by Invacare, catalog 1974.
 Walking Aids from Medline, catalog 2003.
 Eagle Health Supplies, New Products, catalog p. 51, 2002.
 Preferred Healthcare webpages, Dolomite walkers, 2 pgs.
 Preferred Healthcare webpages, Nova walkers, 5 pgs.
 Preferred Healthcare webpages, Winmed Products Rollators, 4 pgs.
 Preferred Helathcare webpages, Invacare Rollators, 5 pgs.
 4Wheelchairs.com webpages, walkers, 3 pgs.
 Advanced Discount Medical Equipment, webpages on Walkers, 15 pgs.
 Senior Shops webpages, walkers, rollators and Accessories, 2 pgs.
 Medical Depot Deluxe Rollator, 2 pgs. from internet.
 Nova Cruiser Deluxe, 2 pgs. from internet.
 Winmed Mimi "Lite" Walker, 2 pgs. from internet.
 Invacare Walker Adult Dual Release, Product ID 6261-A, 3 pgs.
 Invacare Dual Blue-Release™ Adult Walker, Product ID 6241-A, 3 pgs.
 Invacare Dual Blue-Release™ Junior Walker, Product ID 6241-JR, 3 pgs.
 Invacare Walker Junior Dual-Release, Product ID 6261-JR, 3 pgs.
 Invacare Walker Single Release with 3 in Fixed Wheels, Product ID 6281-3F, 3 pgs.
 Invacare Rollite Rollator, Product ID 65100, 3 pgs.
 Invacare Spartan Four-Wheel Rollator, Product ID 65420, 3 pgs.
 Invacare Stingray Four-Wheel Rollator, Product ID 65500, 3 pgs.
 Invacare Frontier Lite™ Rollator, Product ID 65700, 3 pgs.
 Invacare Sandstorm™ Rollator, Product ID 65800, 3 pgs.
 Invacare Stardust™ Rollator, Product ID 65900, 3 pgs.
 Invacare Walker Single Release Adult Product ID 6281-A, 3 pgs.
 Invacare Walker—Dual Release Adult Single Pack, Product ID 6291-1, 3 pgs.
 Invacare Walker—Dual Release with 5 in Fixed Wheels, Product ID 6291-5F, 3 pgs.
 Invacare Walker—Dual Release with 3 in Fixed Wheels, Product ID 6291-3F, 3 pgs.
 Office action from U.S. Appl. No. 29/197,540, mailed Jul. 10, 2007.
 Office action from U.S. Appl. No. 29/194,396, mailed Aug. 22, 2007.
 Notice of Allowance from U.S. Appl. No. 29/197,540, mailed Sep. 20, 2007.

* cited by examiner

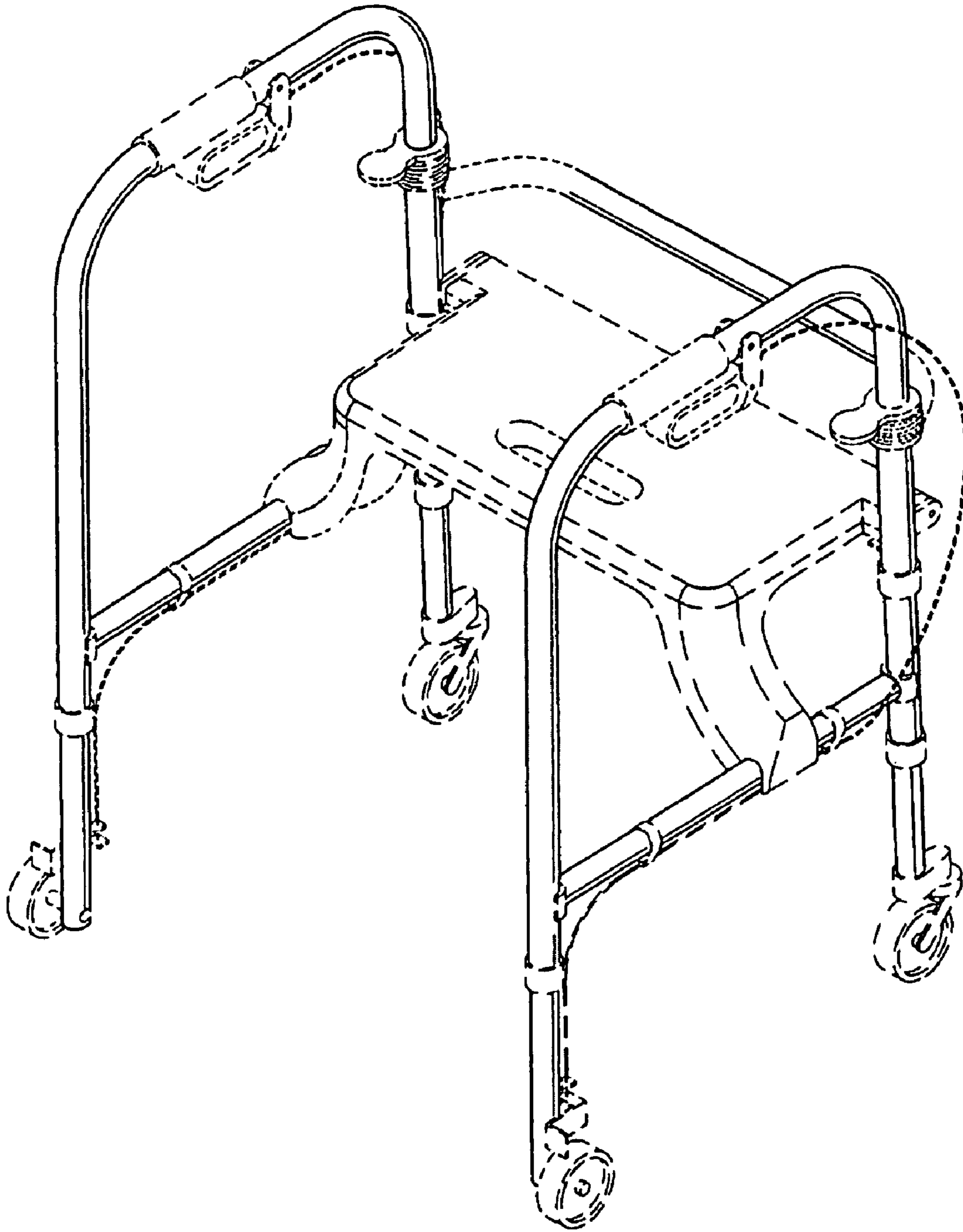


FIG. 1

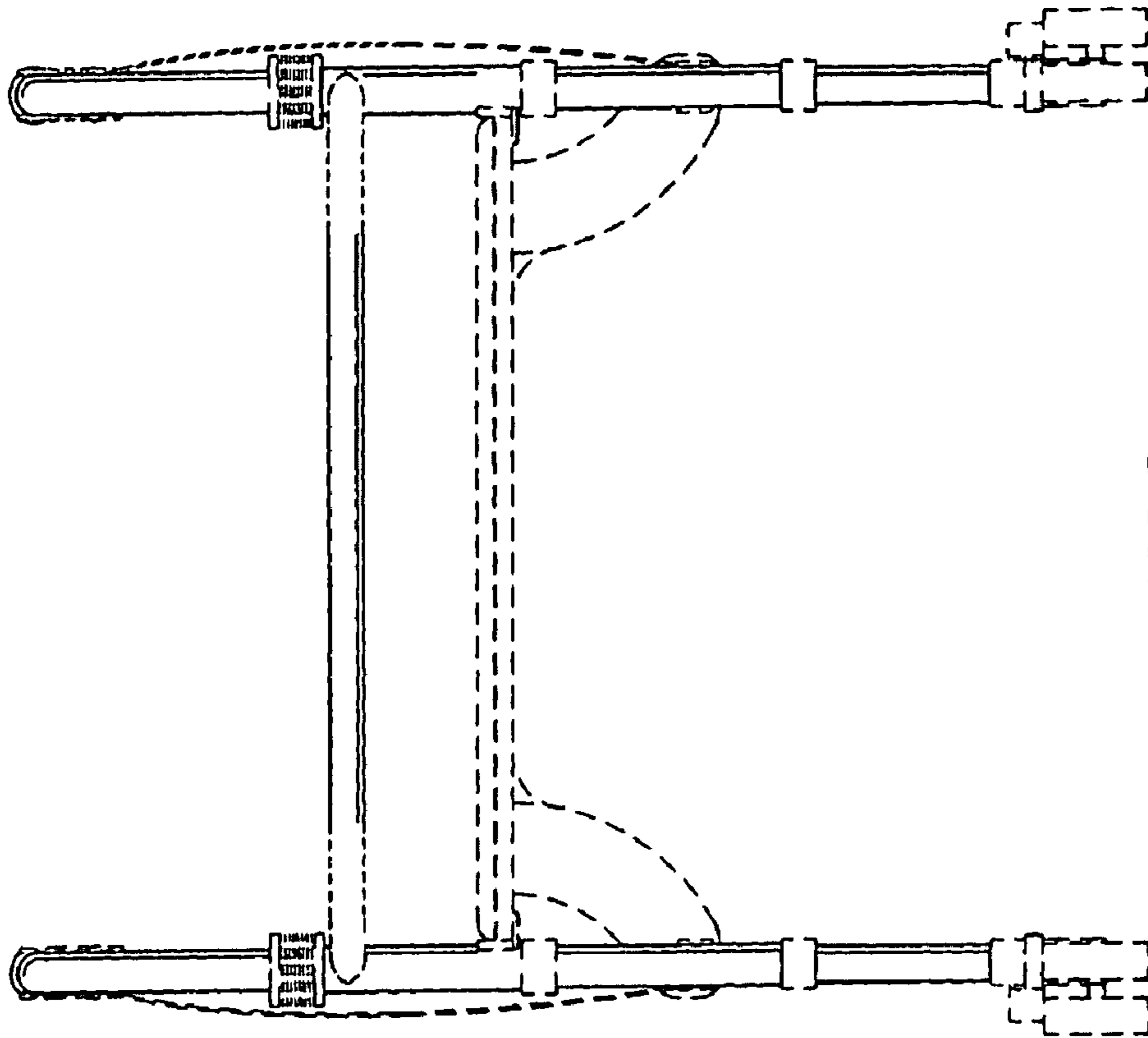


FIG. 3

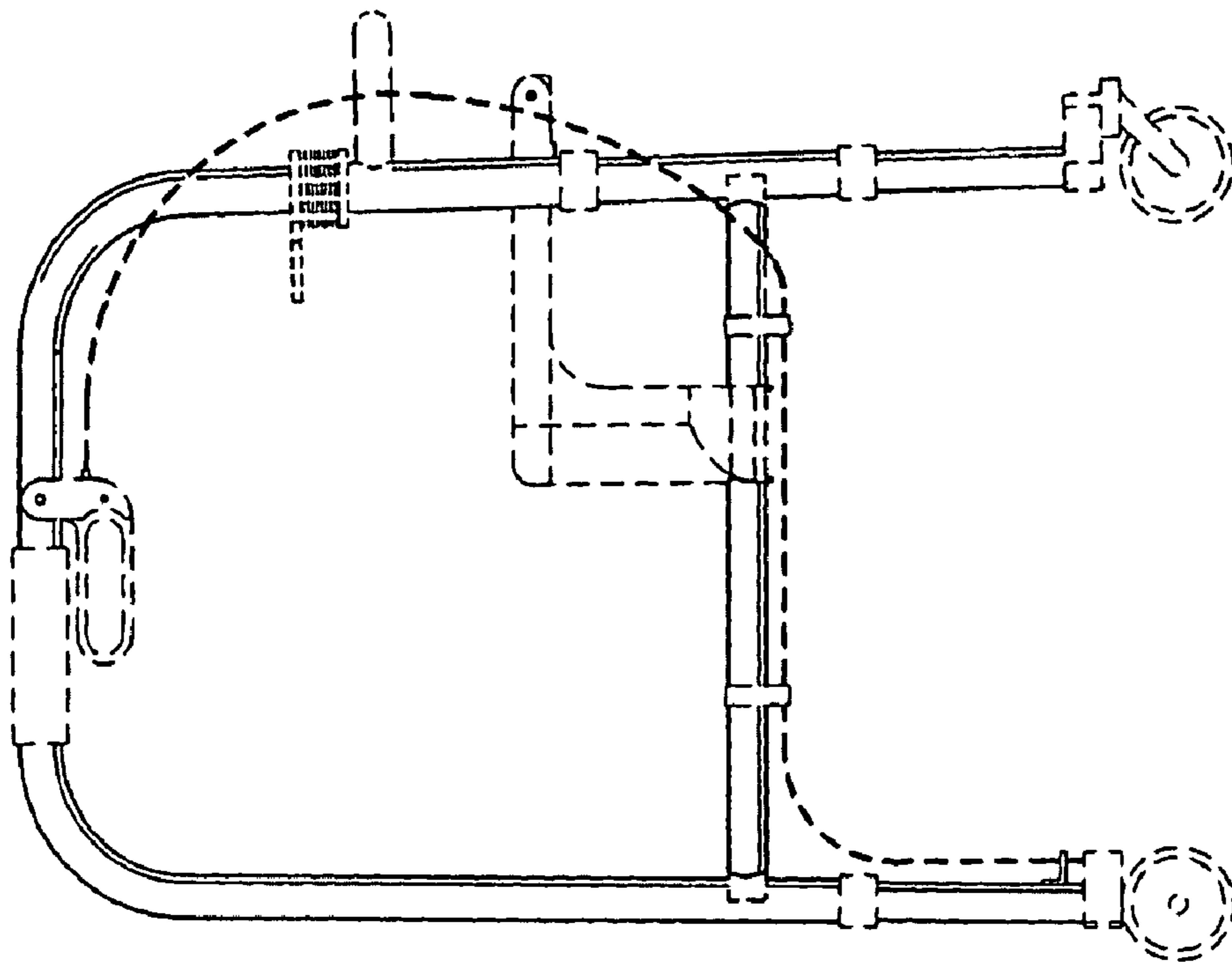


FIG. 2

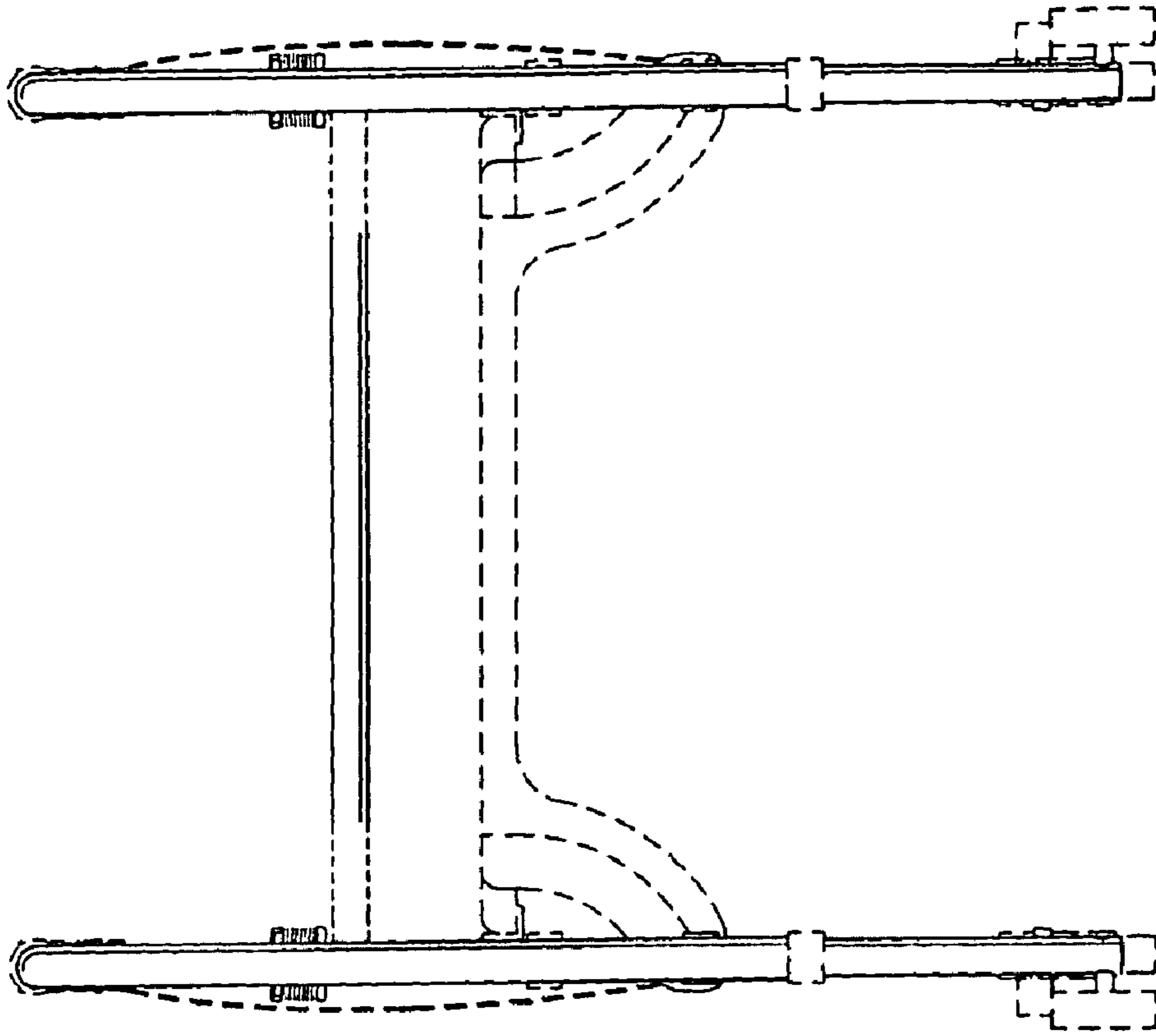


FIG. 4

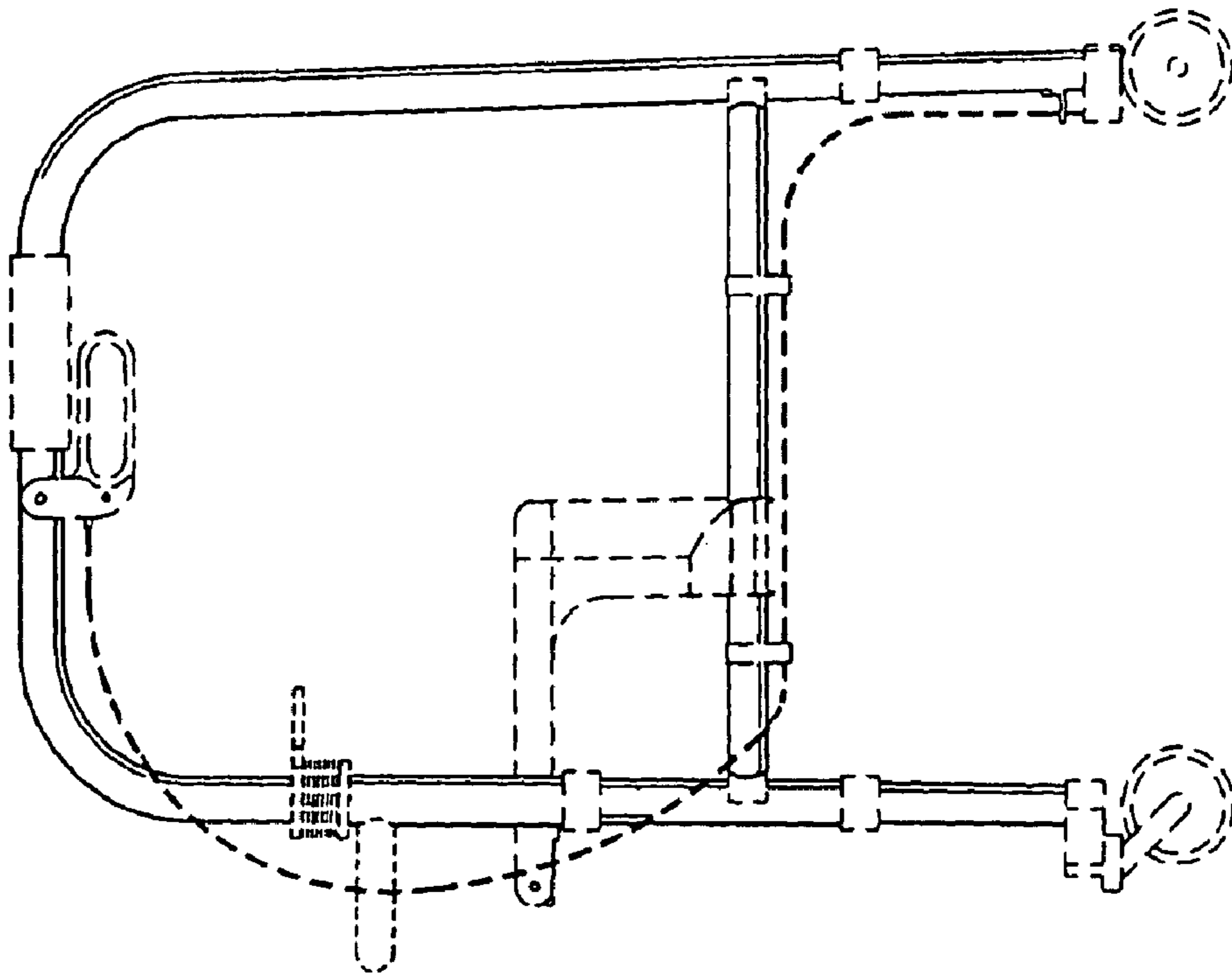


FIG. 5

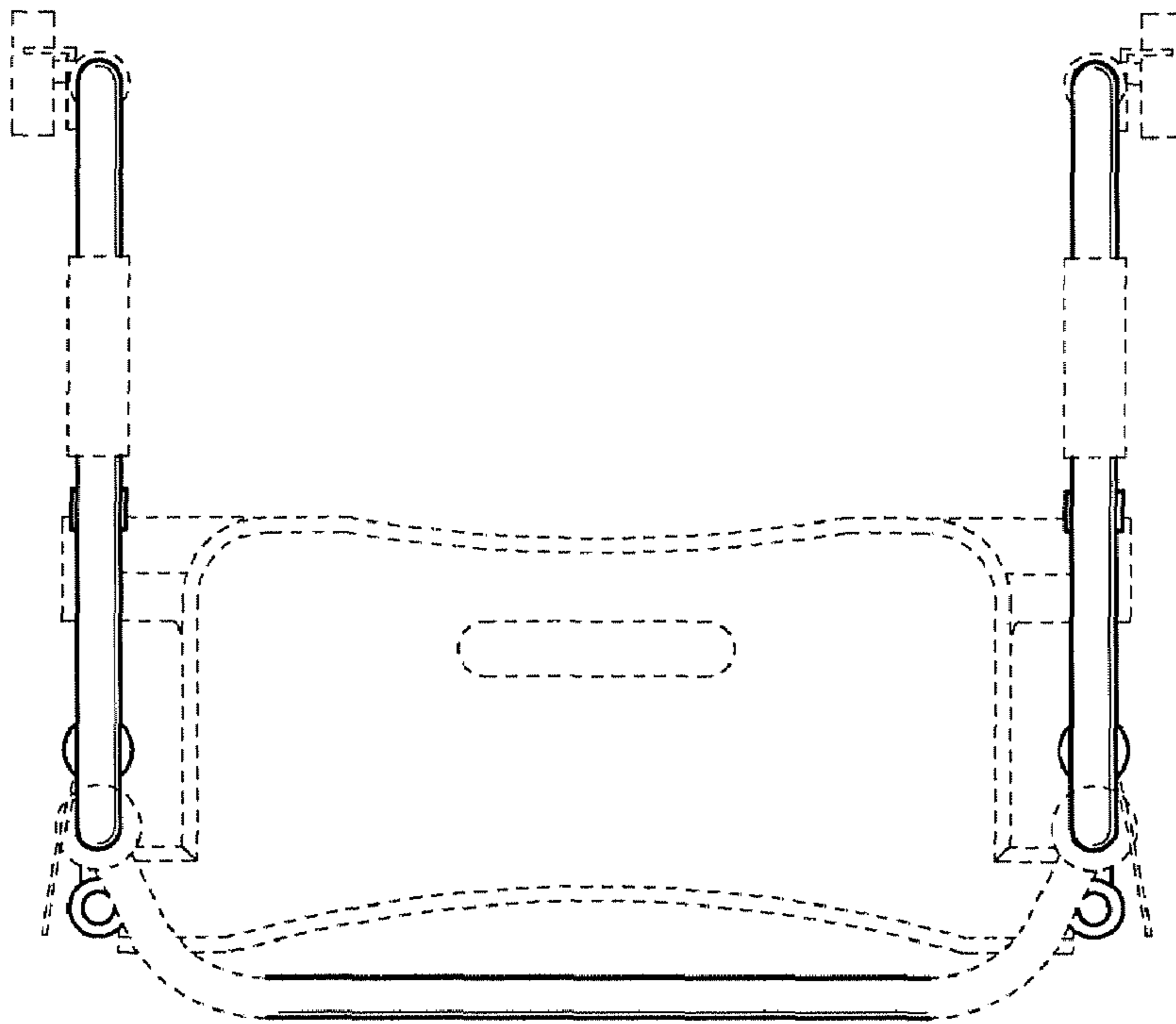


FIG. 6

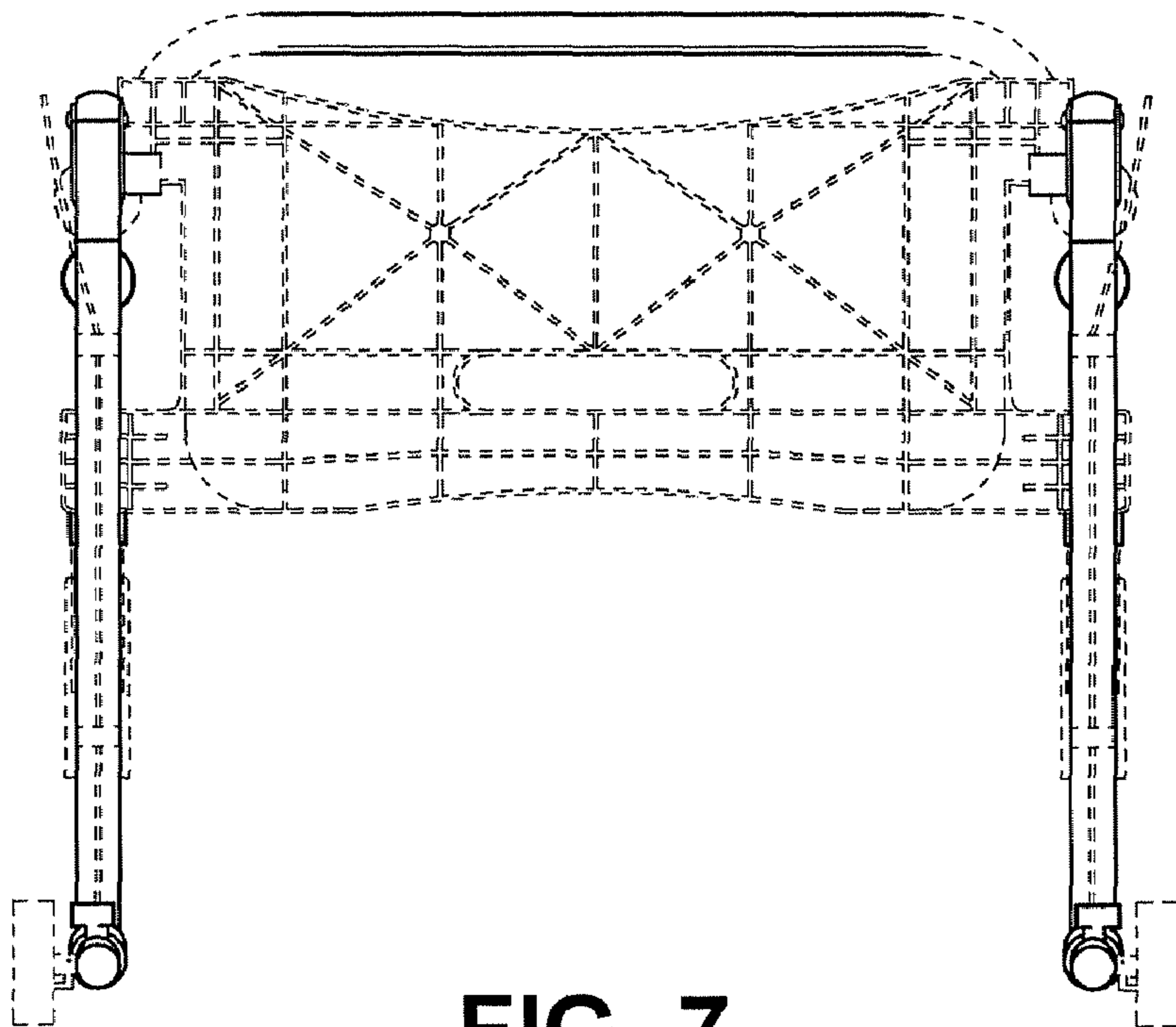


FIG. 7

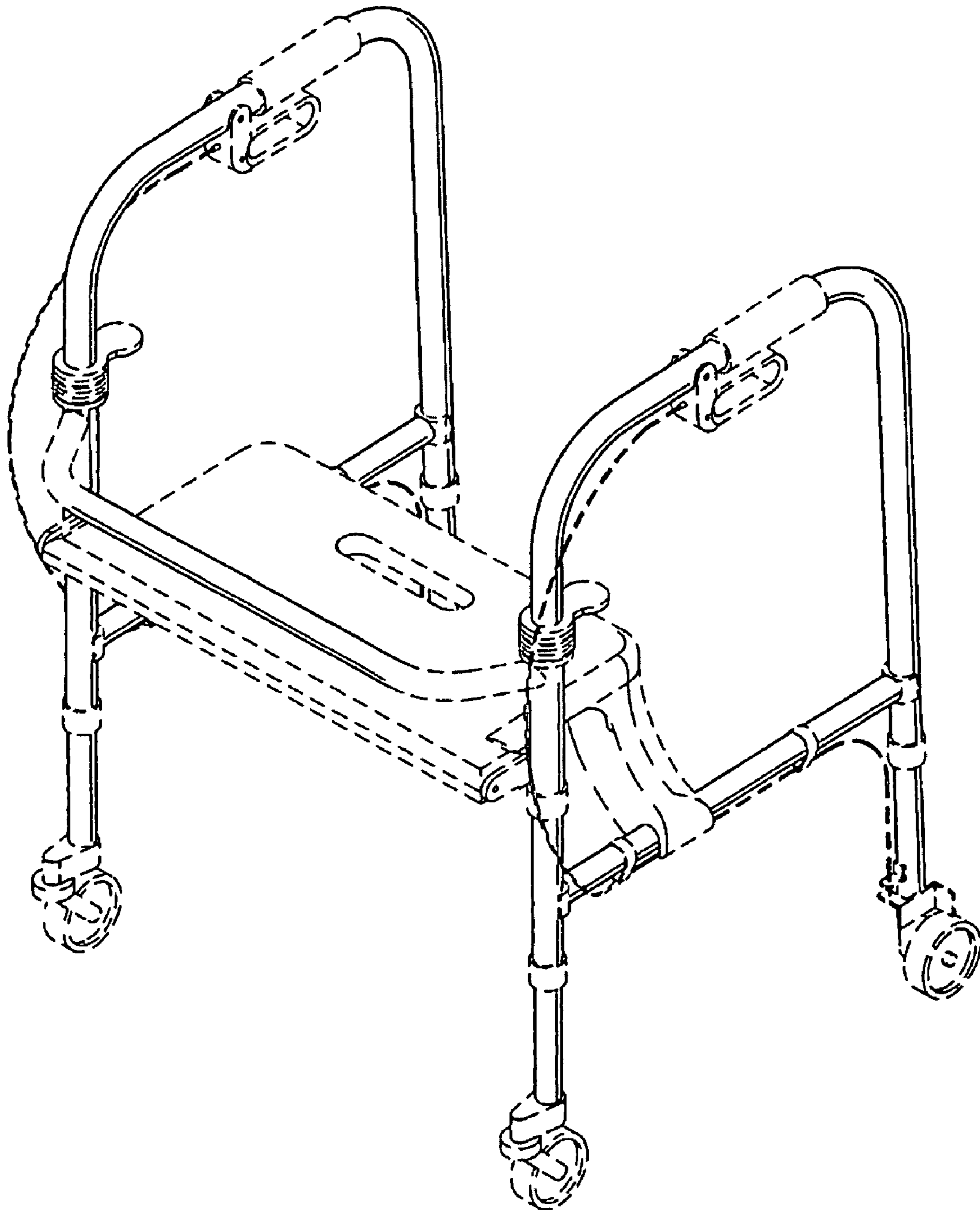


FIG. 8