

US00D567150S

(12) **United States Design Patent**
Woodin

(10) **Patent No.:** **US D567,150 S**

(45) **Date of Patent:** **** Apr. 22, 2008**

(54) **GLIDE PLATE**

(76) **Inventor:** **Wes Woodin**, 7005 Stanbury Dr.,
Matthews, NC (US) 28104

(**) **Term:** **14 Years**

(21) **Appl. No.:** **29/265,702**

(22) **Filed:** **Sep. 7, 2006**

(51) **LOC (8) Cl.** **12-11**

(52) **U.S. Cl.** **D12/126**

(58) **Field of Classification Search** D12/110,
D12/114, 126, 127, 166, 167, 171, 186, 203;
180/69.1, 219; 280/288.4, 304.3, 757, 770,
280/847, 848, 850; 296/187.03, 187.08,
296/187.12

See application file for complete search history.

(56) **References Cited**

U.S. PATENT DOCUMENTS

D274,803 S * 7/1984 Hughes D12/126

FOREIGN PATENT DOCUMENTS

JP 08253185 A * 10/1996

JP 2004175236 A * 6/2004

* cited by examiner

Primary Examiner—Cathron Brooks

Assistant Examiner—Linda Brooks

(74) *Attorney, Agent, or Firm*—Schwartz Law Firm P.C.

(57) **CLAIM**

I claim the ornamental design for a glide plate, as shown and described.

DESCRIPTION

FIG. 1 is an environmental perspective view of a glide plate according to an embodiment of the invention and showing the glide plate attached to a motorbike; the structure of the motorbike shown in broken lines forming no part of the claimed design;

FIG. 2 is an enlarged front view of the glide plate;

FIG. 3 is an enlarged left side view of the glide plate;

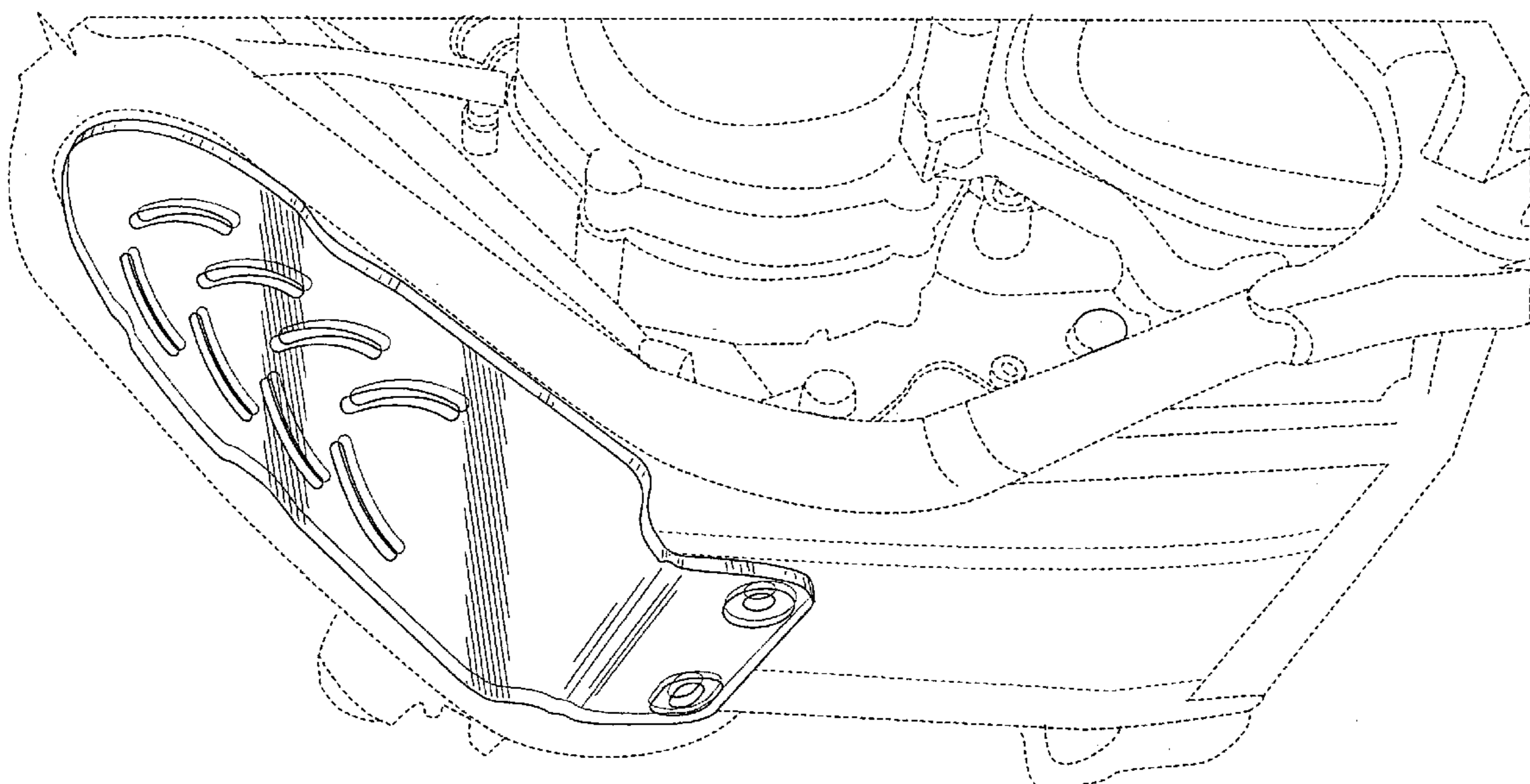
FIG. 4 is an enlarged back view of the glide plate;

FIG. 5 is an enlarged right side view of the glide plate;

FIG. 6 is an enlarged back end view of the glide plate; and,

FIG. 7 is an enlarged front end view of the glide plate.

1 Claim, 7 Drawing Sheets



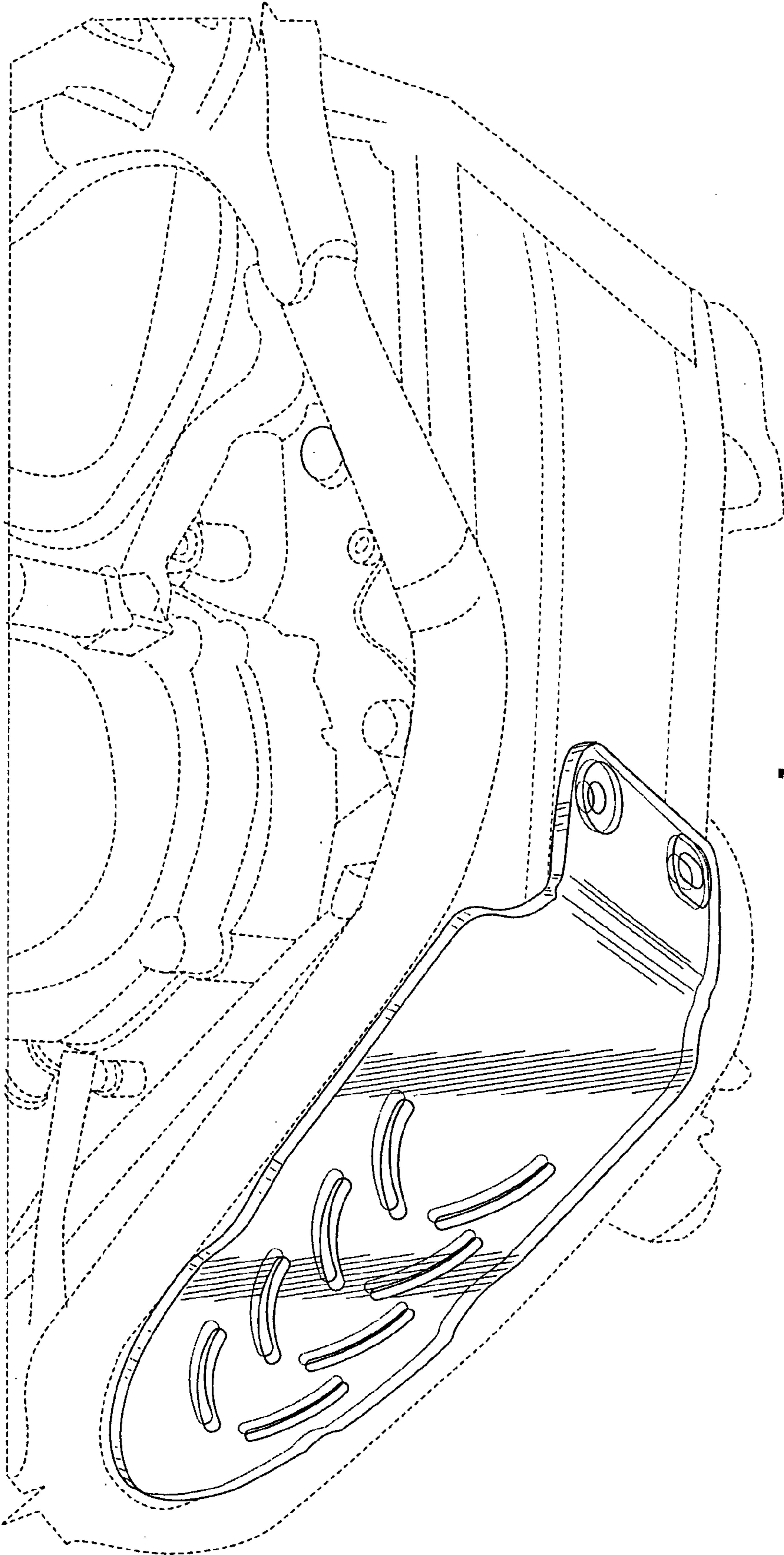


FIG. 1

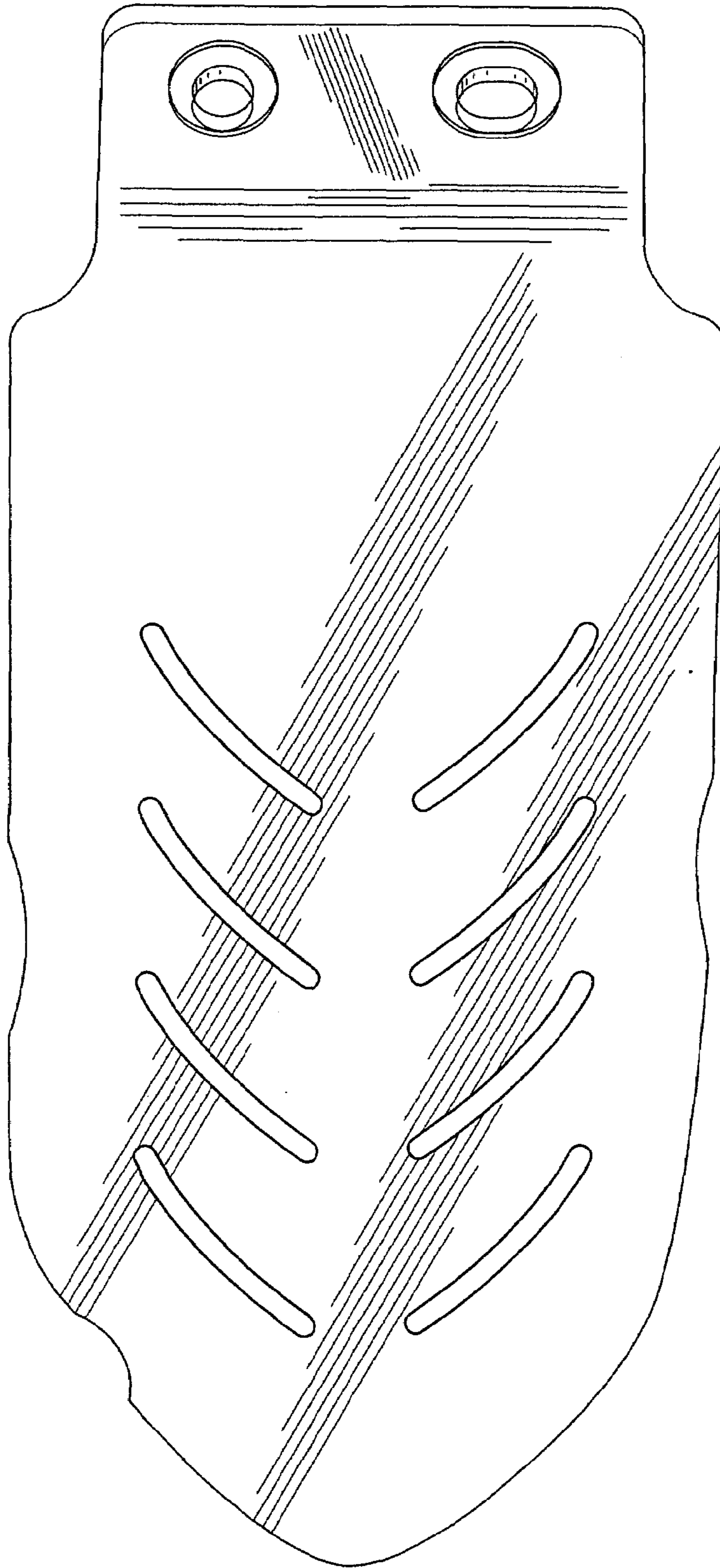


FIG. 2

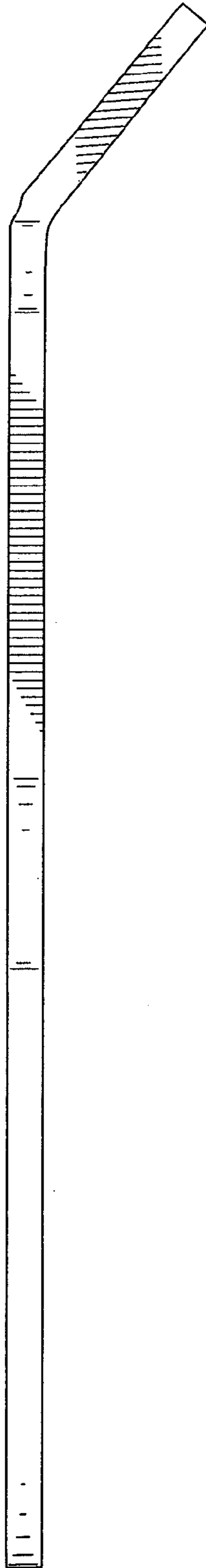


FIG. 3

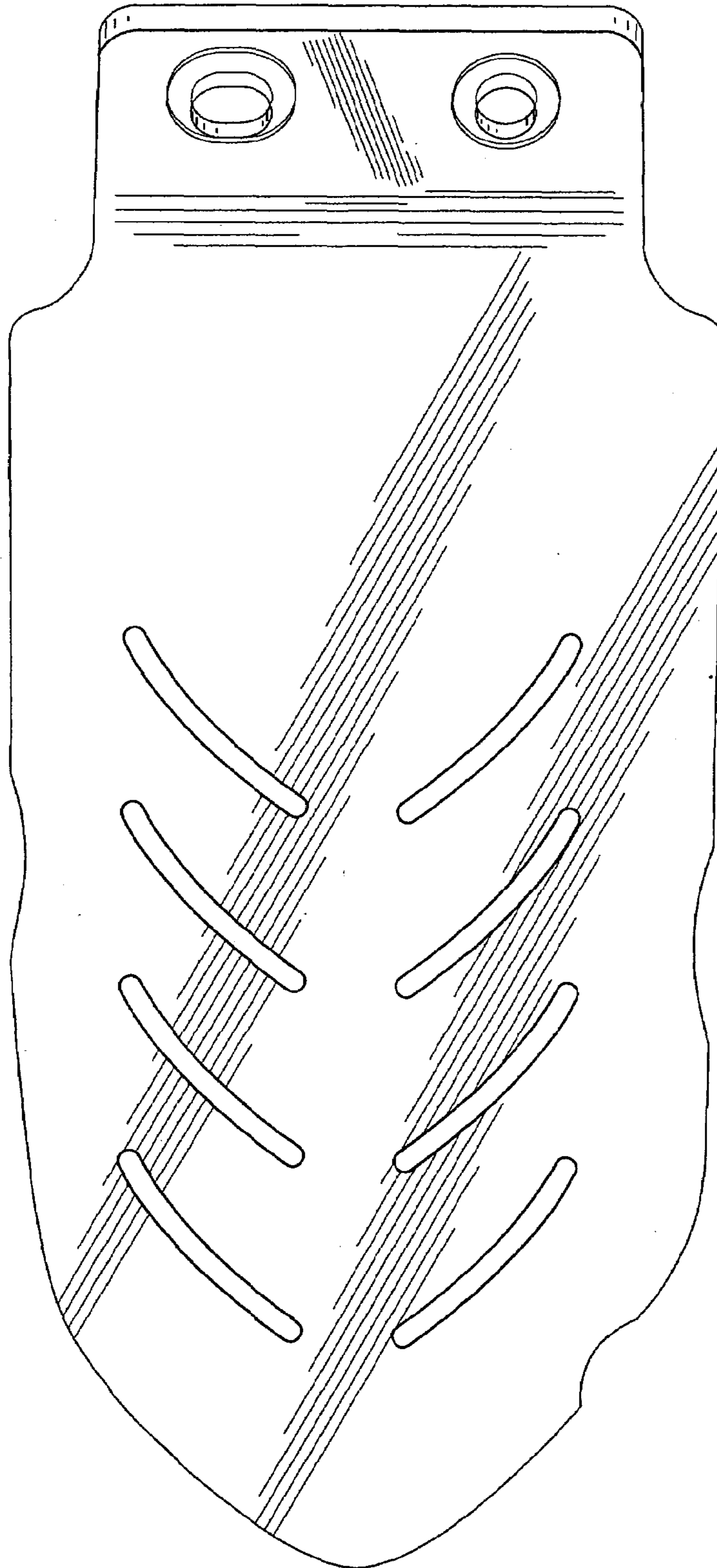


FIG. 4

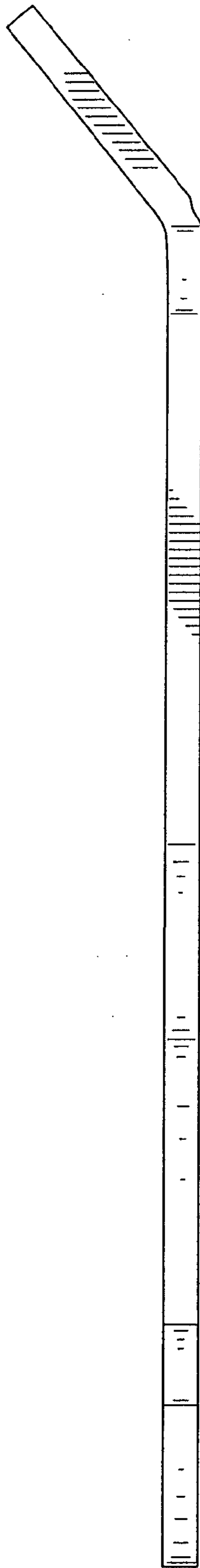


FIG. 5

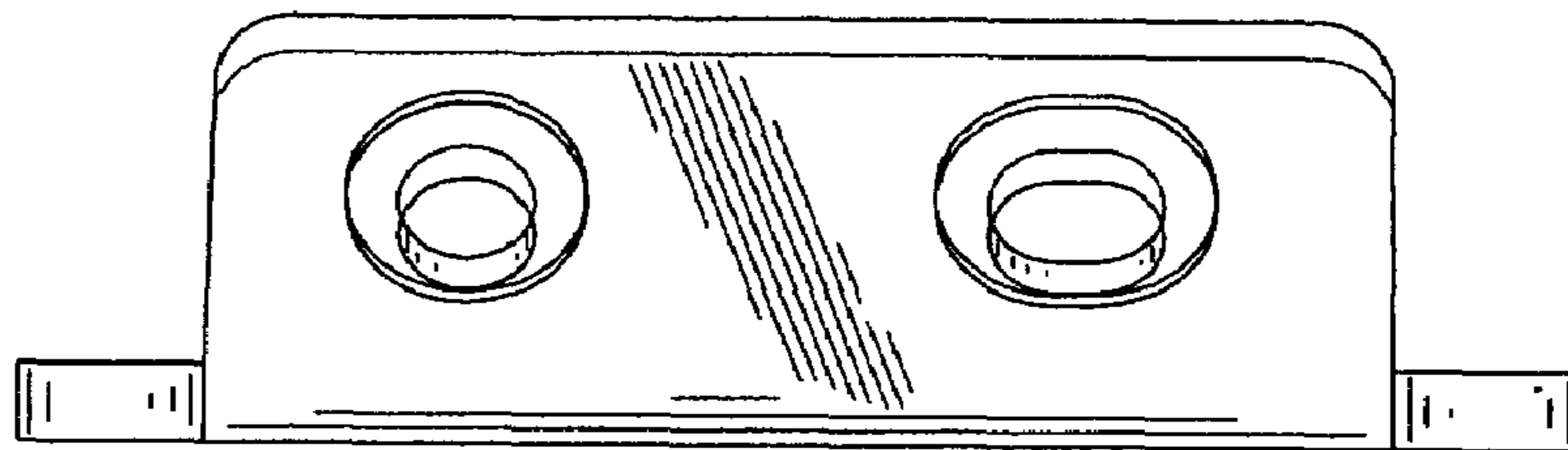


FIG. 6

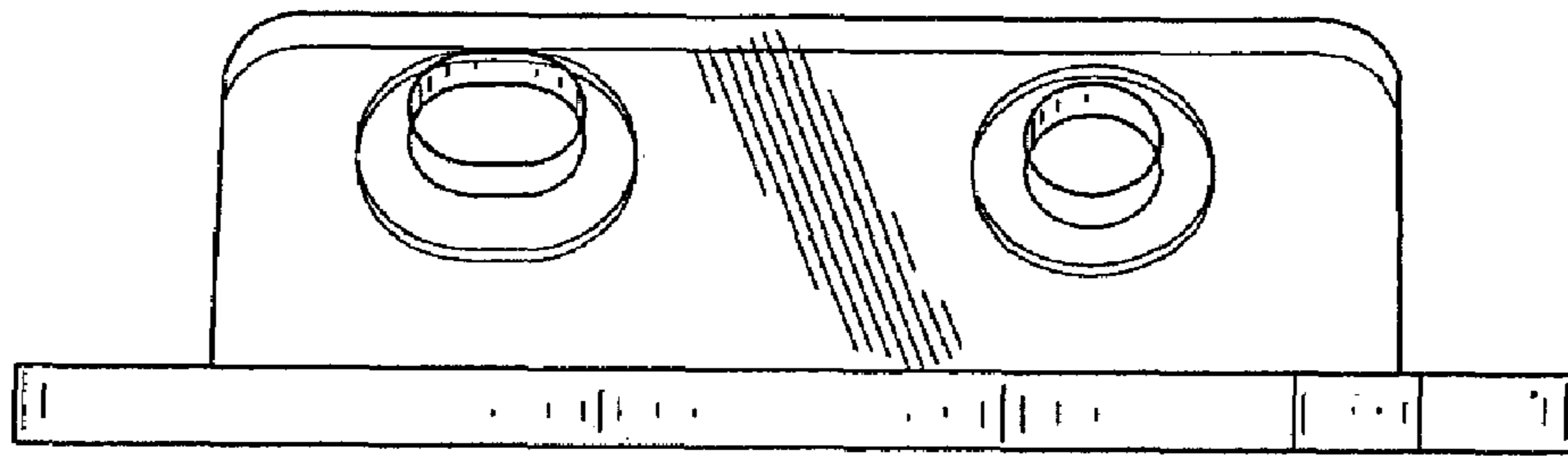


FIG. 7