

US00D567148S

(12) **United States Design Patent**
Inose et al.

(10) **Patent No.:** **US D567,148 S**
(45) **Date of Patent:** **** Apr. 22, 2008**

(54) **MOTORCYCLE**

(75) Inventors: **Tadashi Inose**, Tokyo-to (JP); **Takeshi Imura**, Tokyo-to (JP)

(73) Assignee: **Yamaha Hatsudoki Kabushiki Kaisha** (JP)

(**) Term: **14 Years**

(21) Appl. No.: **29/280,492**

(22) Filed: **May 30, 2007**

(51) **LOC (8) Cl.** **12-11**

(52) **U.S. Cl.** **D12/110**

(58) **Field of Classification Search** D12/110;
180/219

See application file for complete search history.

(56) **References Cited**

U.S. PATENT DOCUMENTS

D511,718 S * 11/2005 Manchester et al. D12/110

D524,192 S * 7/2006 Sugimoto D12/110

OTHER PUBLICATIONS

2003 Yamaha VX1600 Midnight Roadstar. [Retrieved on Dec. 28, 2007]. Retrieved from the Internet <URL: <http://totalmotorcycle.com/submittedphotos/2003/YamahaVX1600MidnightRoadStar.jpg>.*

* cited by examiner

Primary Examiner—Cathron Brooks

Assistant Examiner—Linda Brooks

(74) *Attorney, Agent, or Firm*—Ostrolenk, Faber, Gerb & Soffen, LLP

(57) **CLAIM**

The ornamental design for a motorcycle, as shown.

DESCRIPTION

FIG. 1 is a rear, right side perspective view of a motorcycle showing my new design;

FIG. 2 is a front left side perspective view thereof;

FIG. 3 is a left side view thereof;

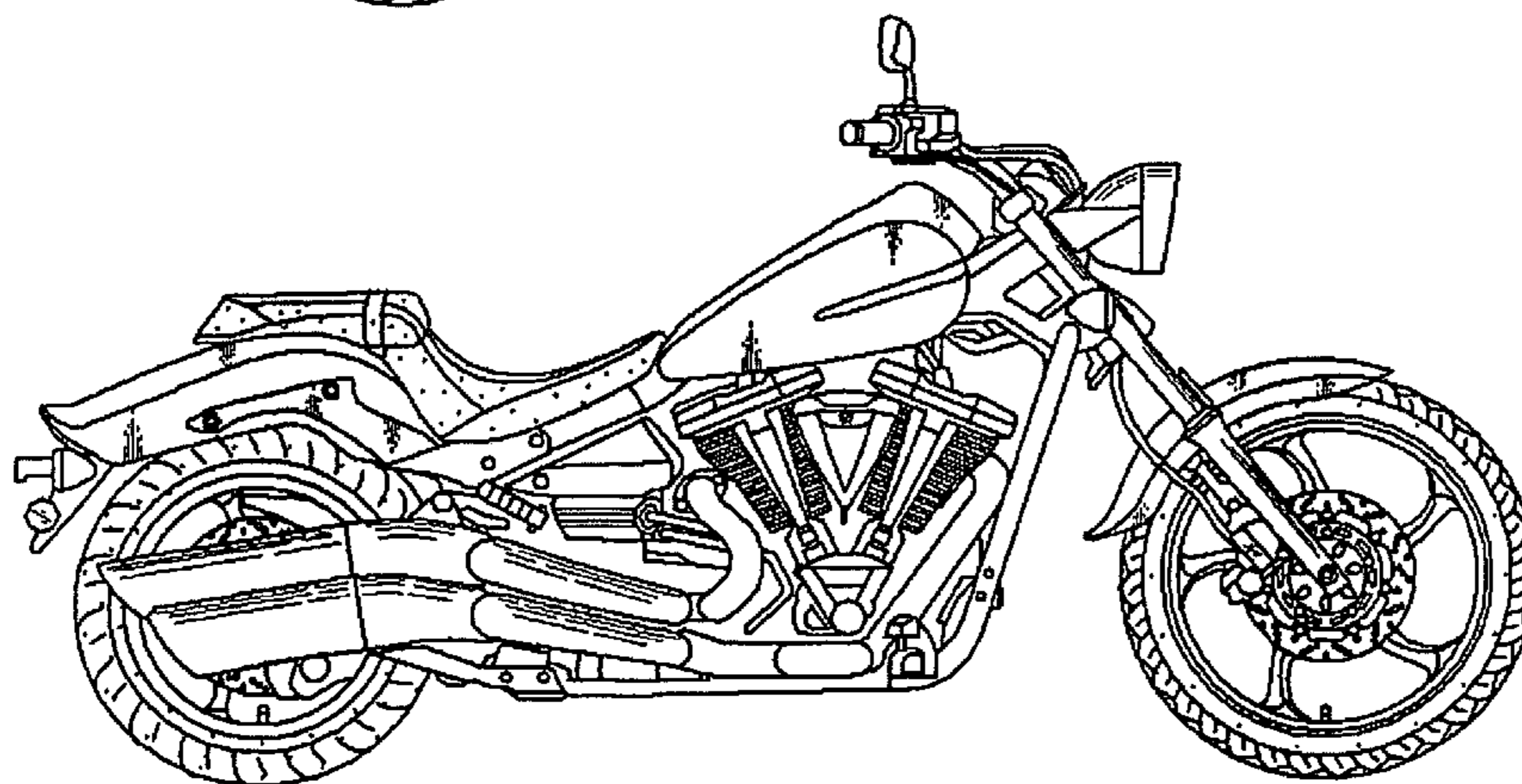
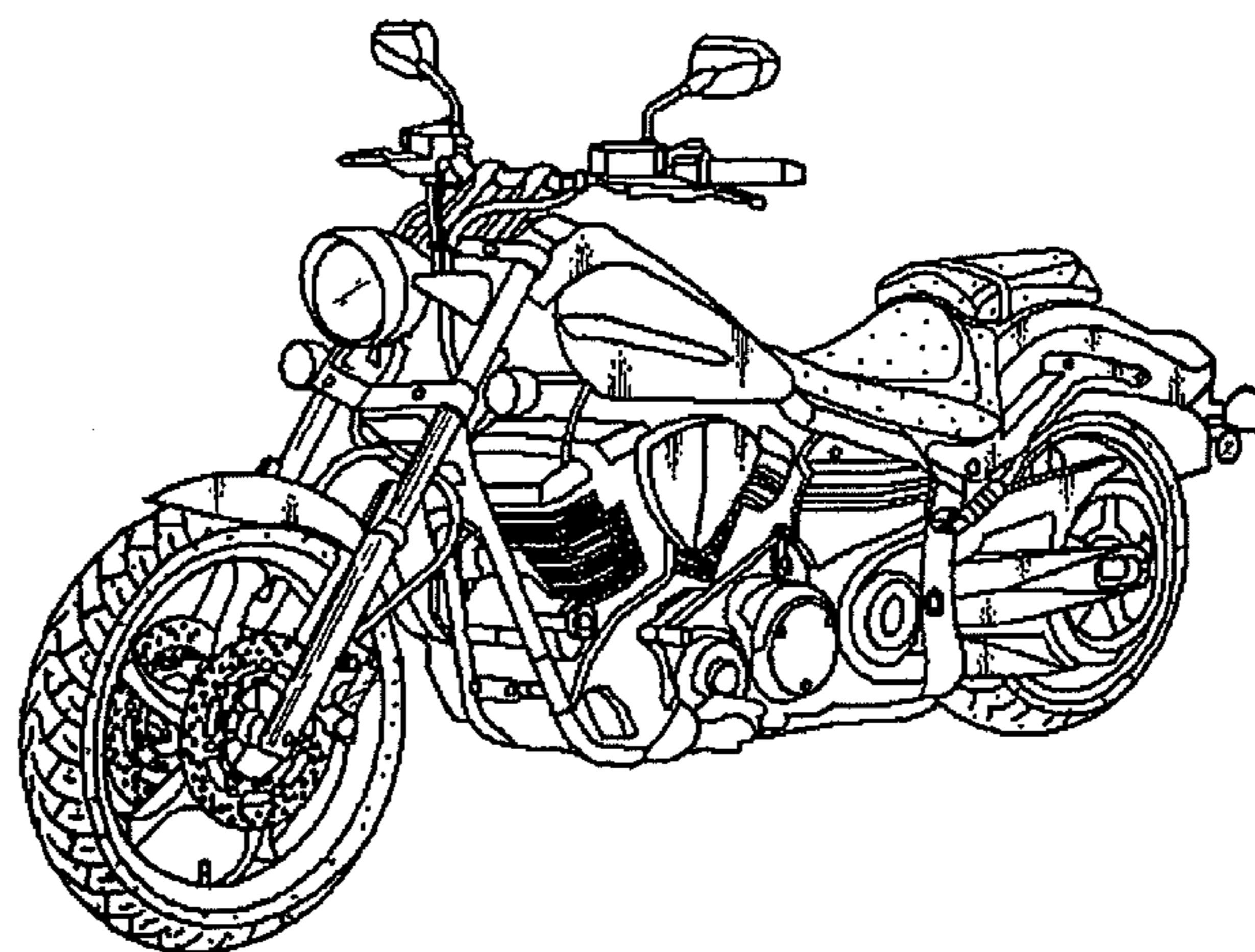
FIG. 4 is a right side view thereof;

FIG. 5 is a front side view thereof;

FIG. 6 is a rear view thereof; and,

FIG. 7 is a top view thereof.

1 Claim, 4 Drawing Sheets



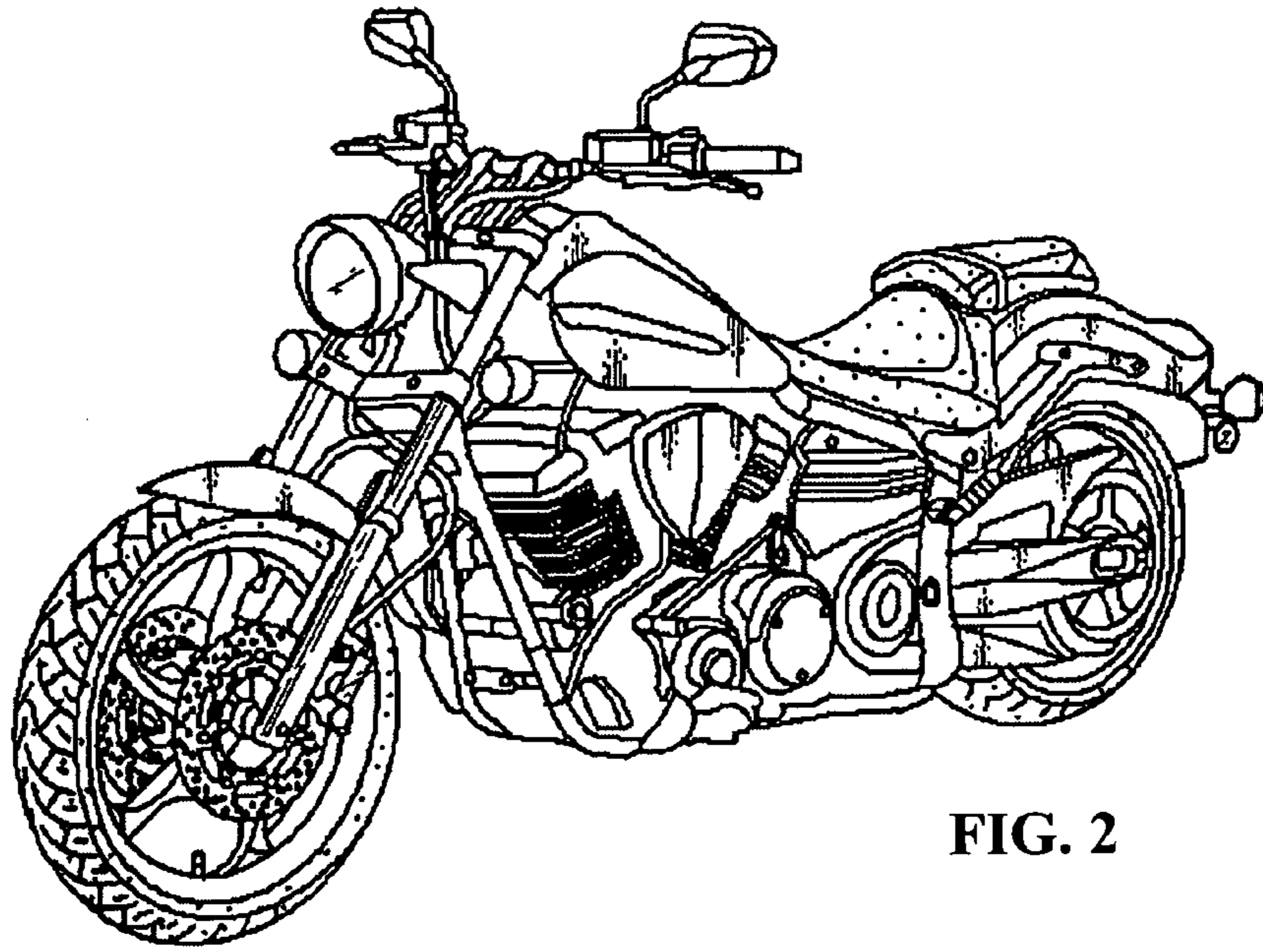


FIG. 2

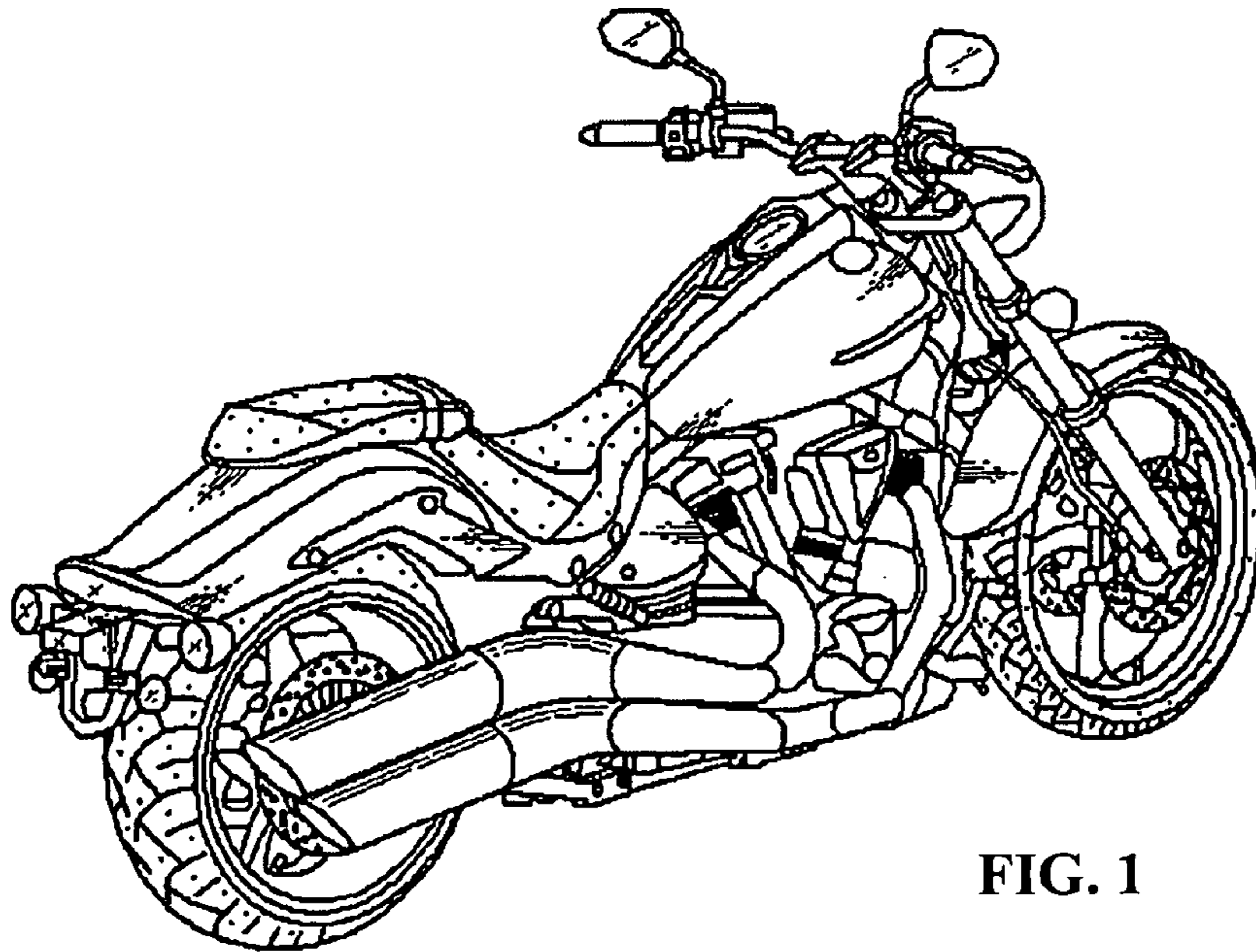


FIG. 1

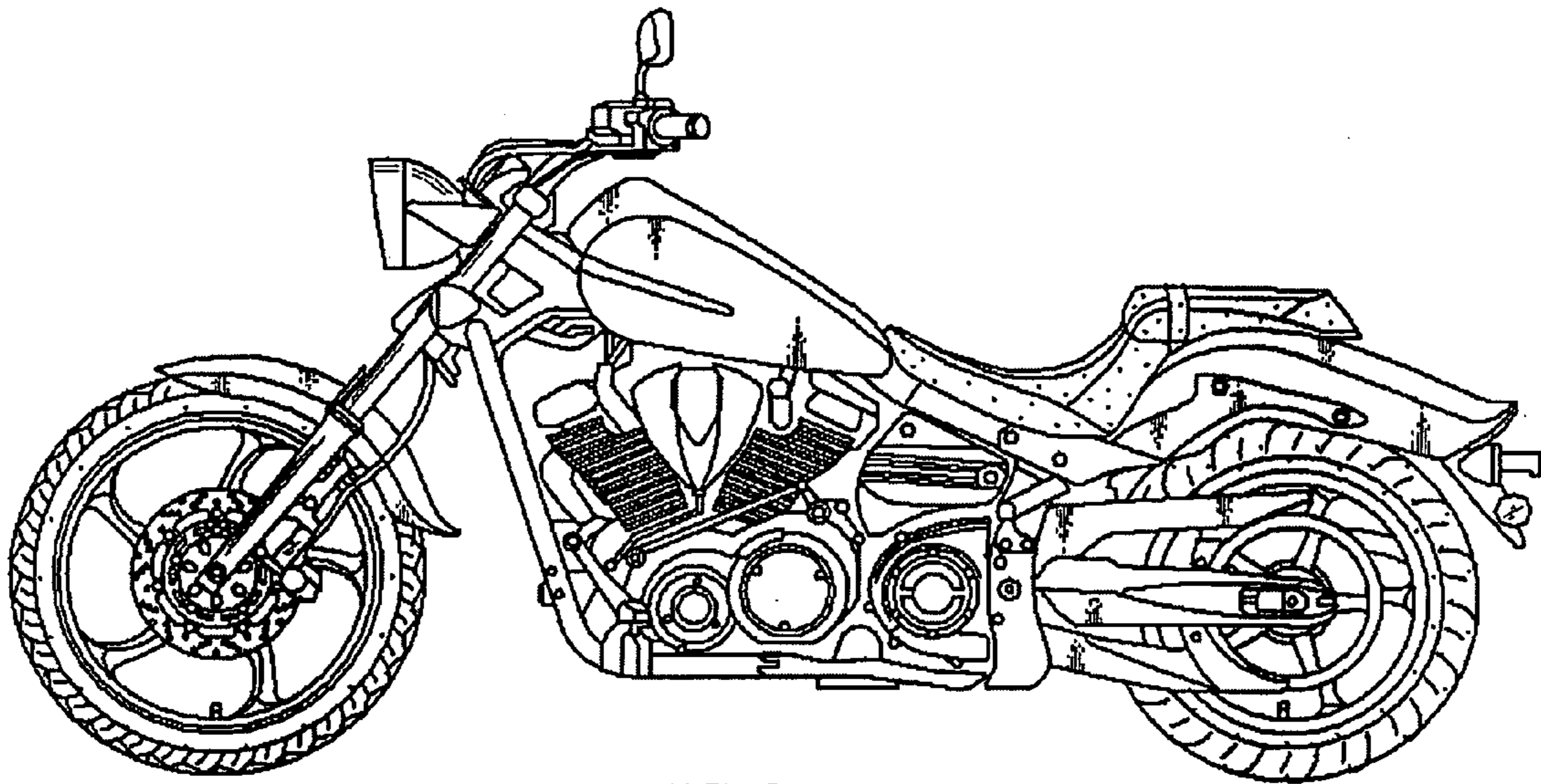


FIG. 3

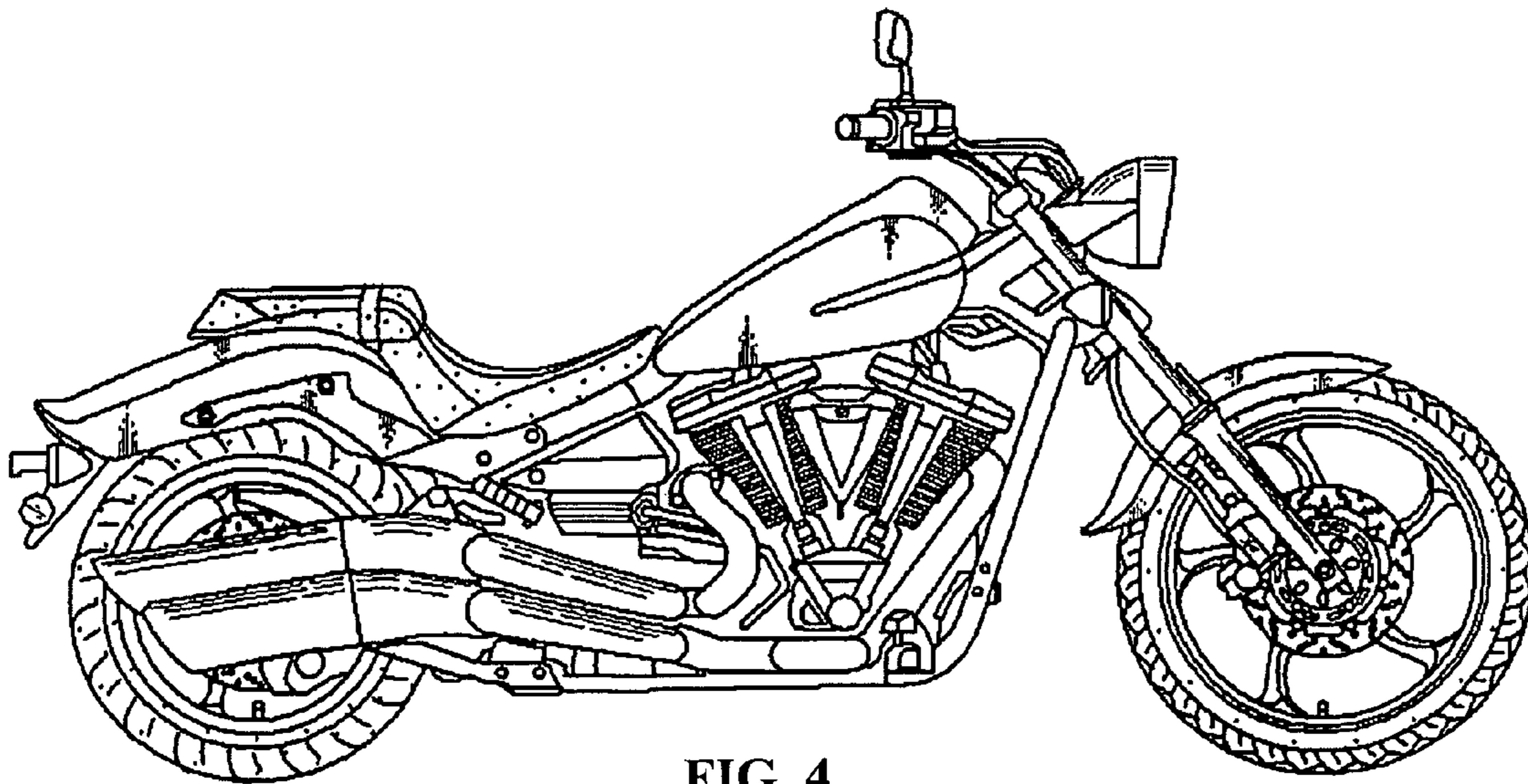


FIG. 4

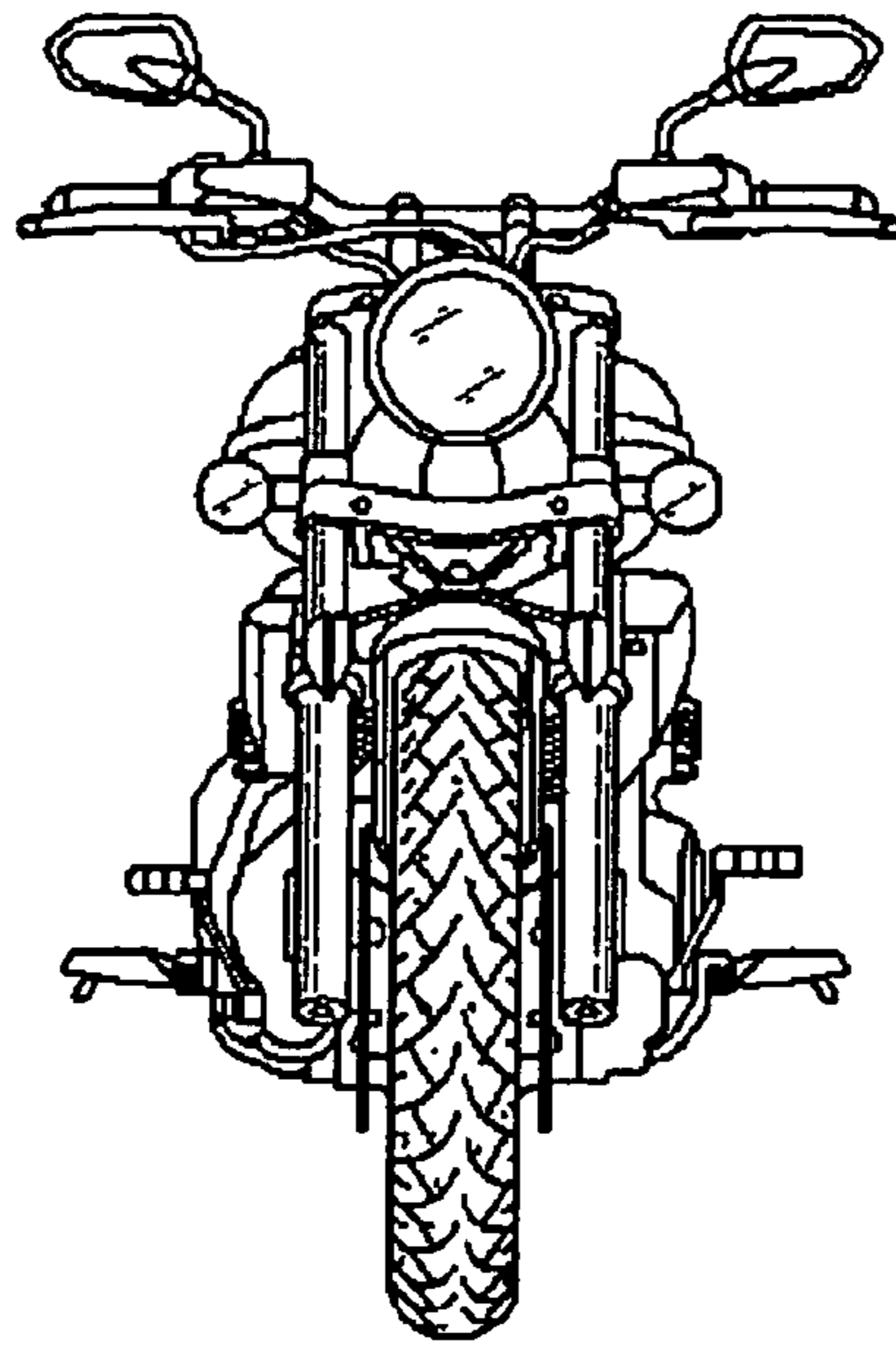


FIG. 5

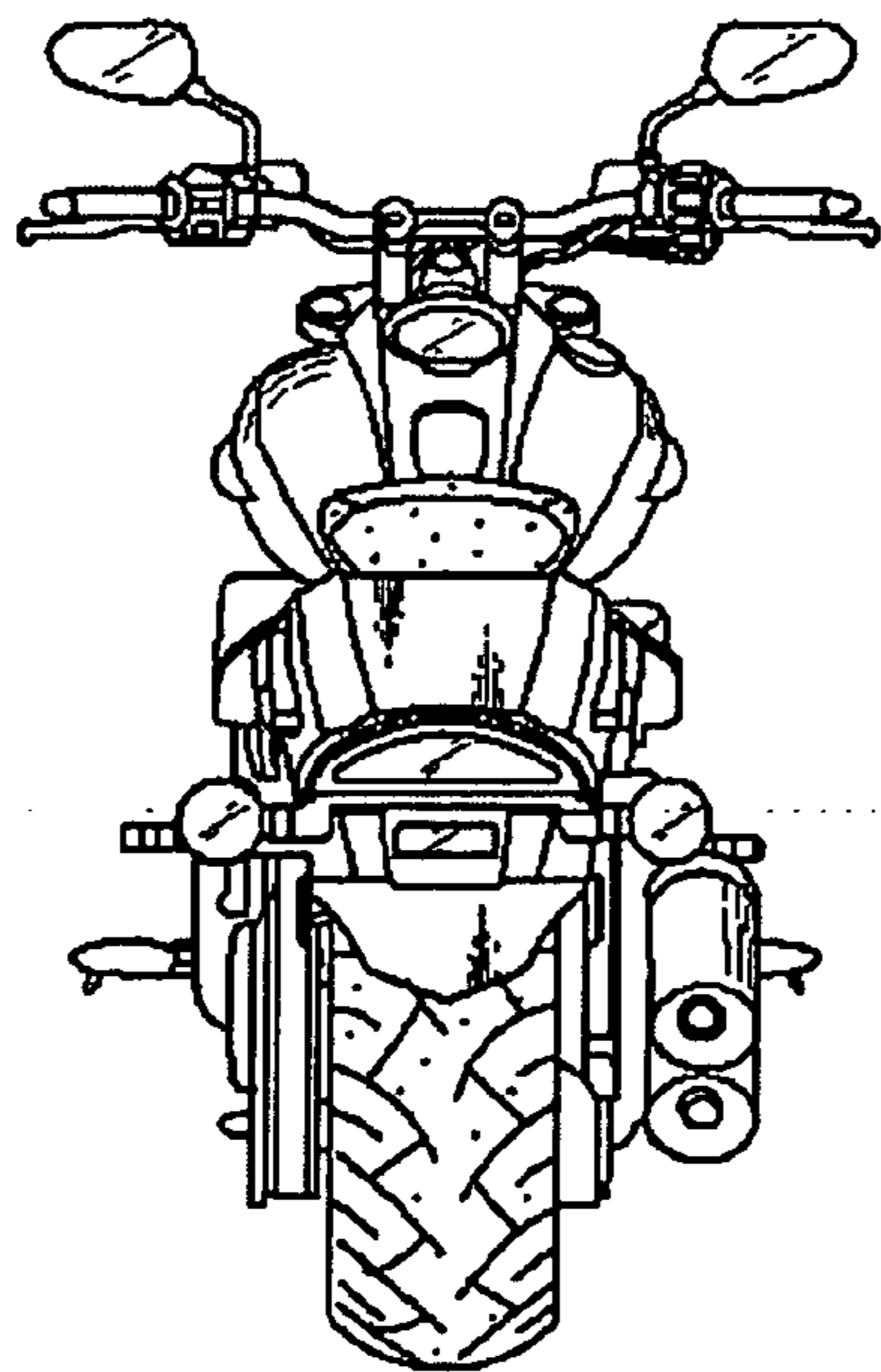


FIG. 6

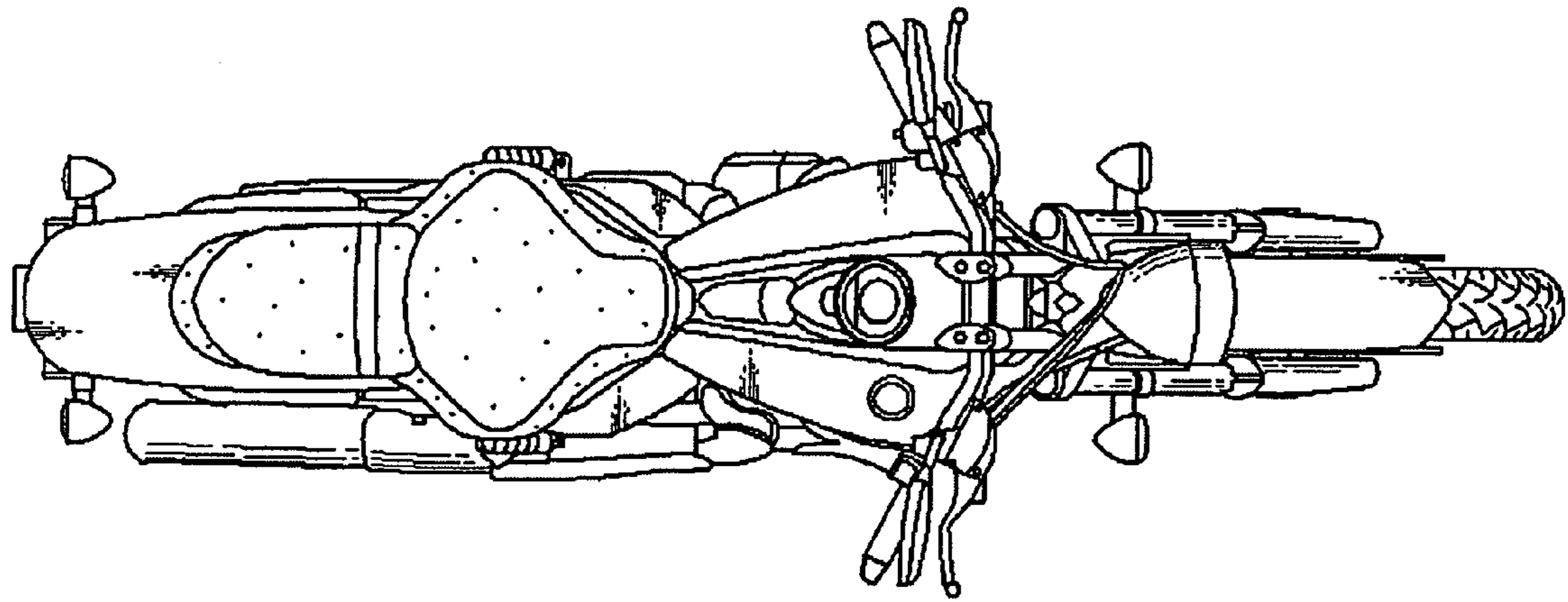


FIG. 7