

US00D567143S

(12) **United States Design Patent**  
**Nicol**

(10) **Patent No.:** **US D567,143 S**

(45) **Date of Patent:** **\*\* Apr. 22, 2008**

(54) **CUFF LINK**

D520,396 S \* 5/2006 Park ..... D11/4  
D545,235 S \* 6/2007 Carter-Smith et al. .... D11/27

(75) Inventor: **Fiona May Nicol**, Salisbury (GB)

\* cited by examiner

(73) Assignee: **Armrevolution Pte. Ltd.**, Singapore (SG)

*Primary Examiner*—Catherine R. Oliver

(\*\*) Term: **14 Years**

(74) *Attorney, Agent, or Firm*—Blakely, Sokoloff, Taylor & Zafman; Stephen M. De Klerk

(21) Appl. No.: **29/279,413**

(57) **CLAIM**

(22) Filed: **Apr. 30, 2007**

The ornamental design for cuff link, as shown and described.

(30) **Foreign Application Priority Data**

**DESCRIPTION**

Oct. 31, 2006 (SG) ..... D2006/1039/H

FIG. 1 is a left perspective view of a cuff link showing my new design;

(51) **LOC (8) Cl.** ..... **02-07**

FIG. 2 is a right perspective view thereof;

(52) **U.S. Cl.** ..... **D11/222**

FIG. 3 is a left perspective view thereof;

(58) **Field of Classification Search** ..... D11/222,  
D11/223, 226, 228, 3, 4, 26-39; 24/90.1,  
24/91-92, 99, 100; 206/345, 343, 338

FIG. 4 is a right perspective view thereof;

See application file for complete search history.

FIG. 5 is a rear view thereof; and,

(56) **References Cited**

FIG. 6 is a perspective view of the cuff link when inserted into a cuff of a shirt.

**U.S. PATENT DOCUMENTS**

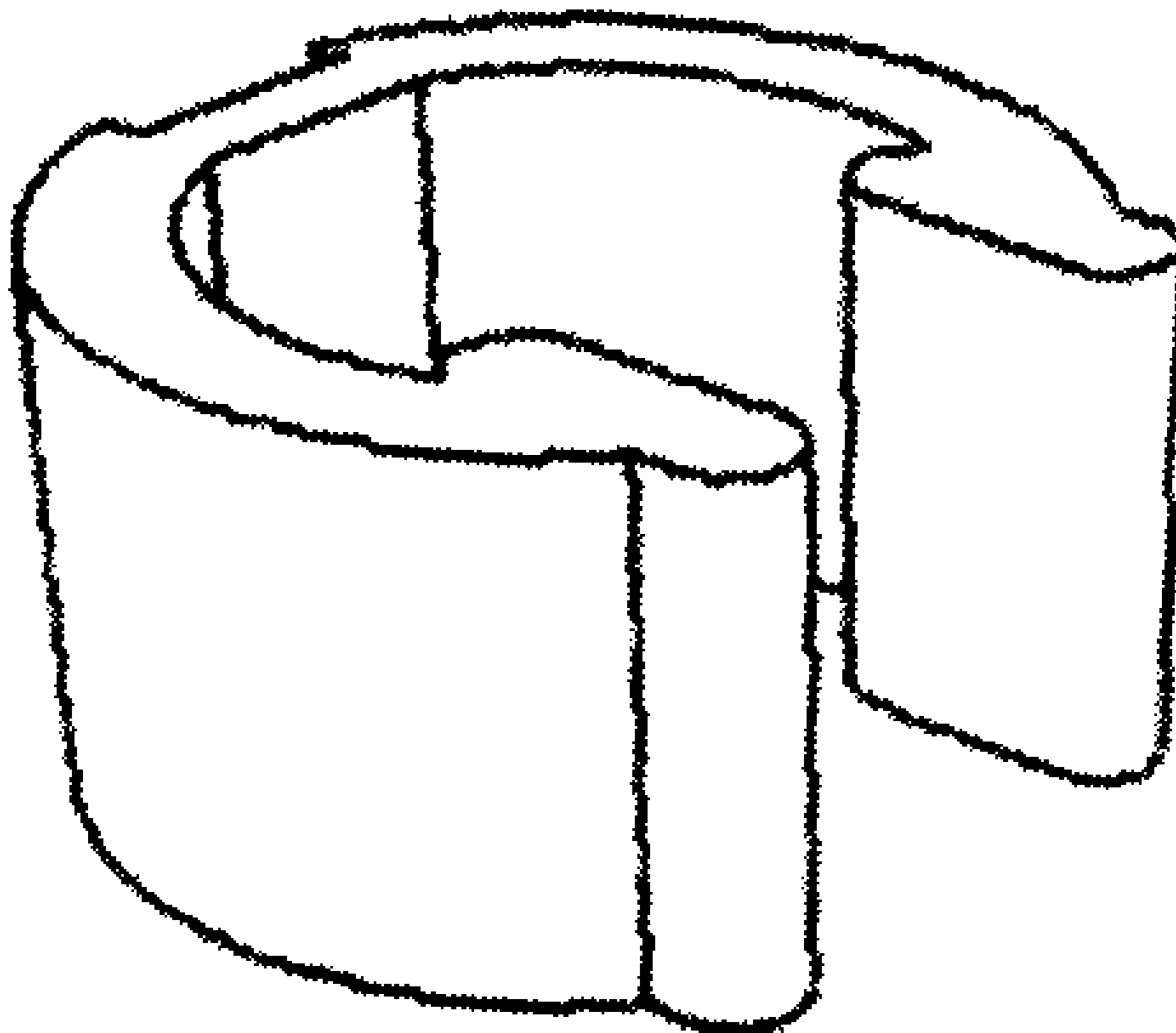
The broken line showing of environment in the drawings is included for the purpose of illustrating only and forms no part of the claimed design.

5,622,257 A \* 4/1997 Deschenes et al. .... 206/345

D397,064 S \* 8/1998 Nelson ..... D11/222

D449,564 S \* 10/2001 Platt ..... D11/222

**1 Claim, 2 Drawing Sheets**



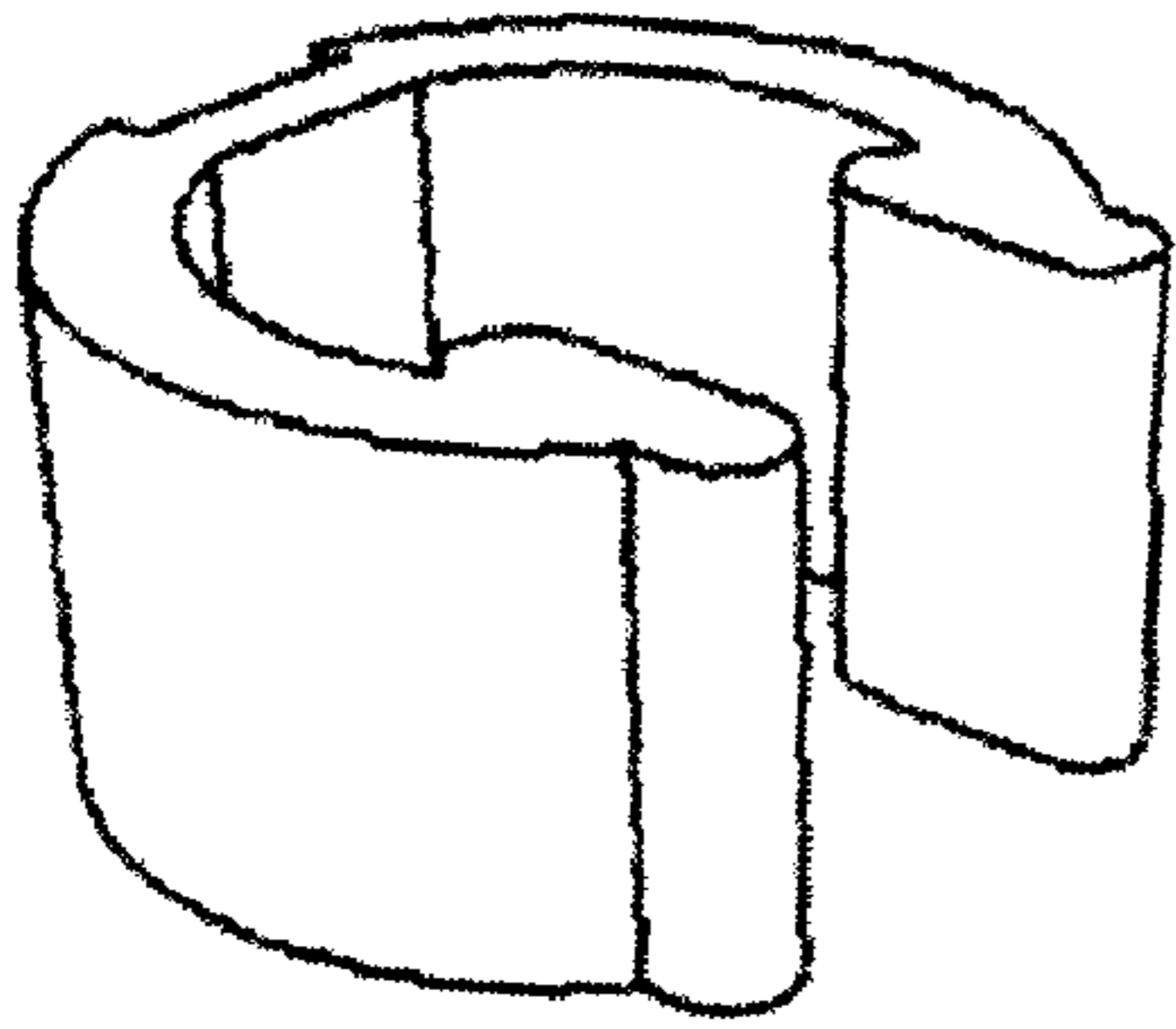


Fig. 1

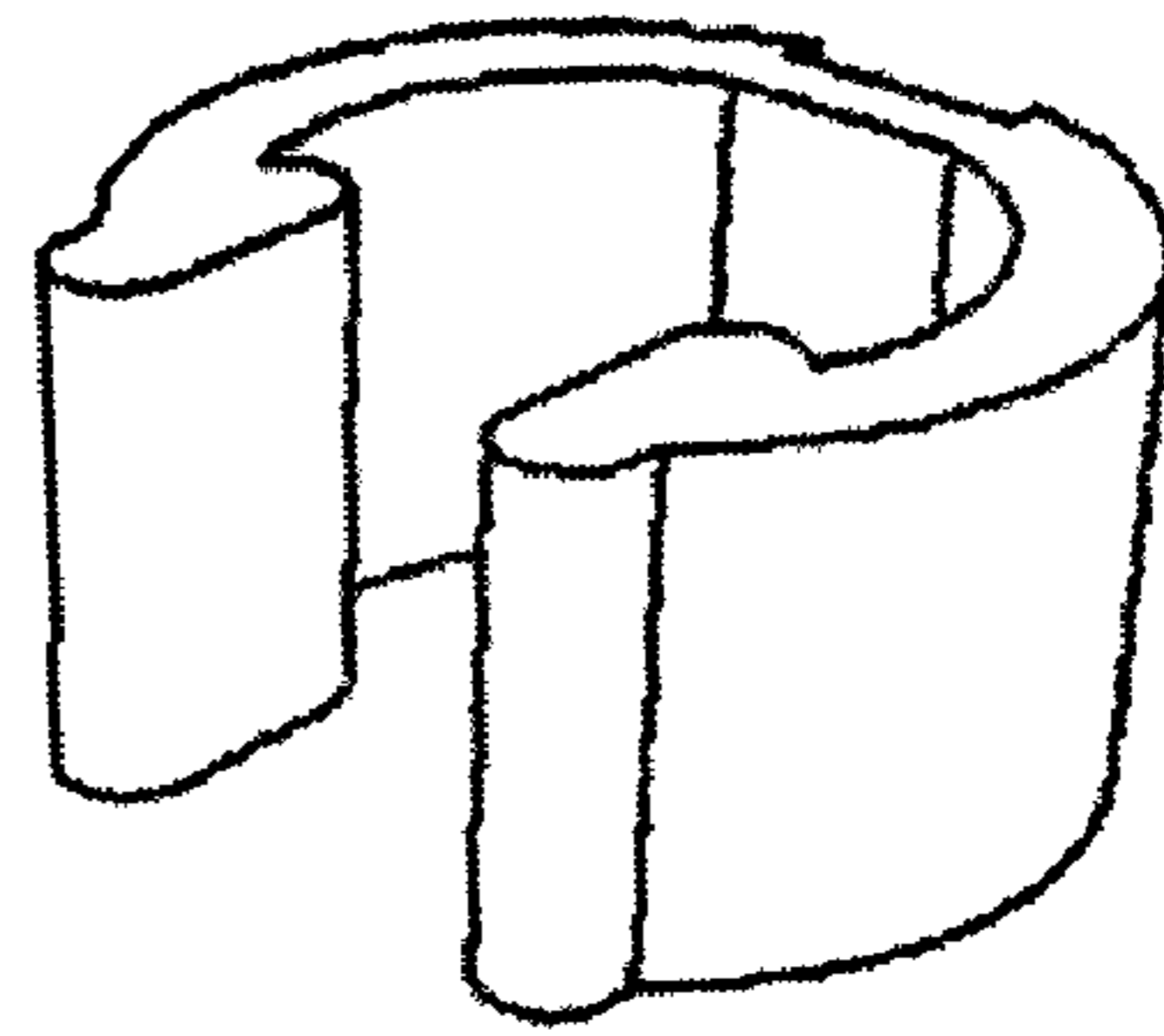


Fig. 2

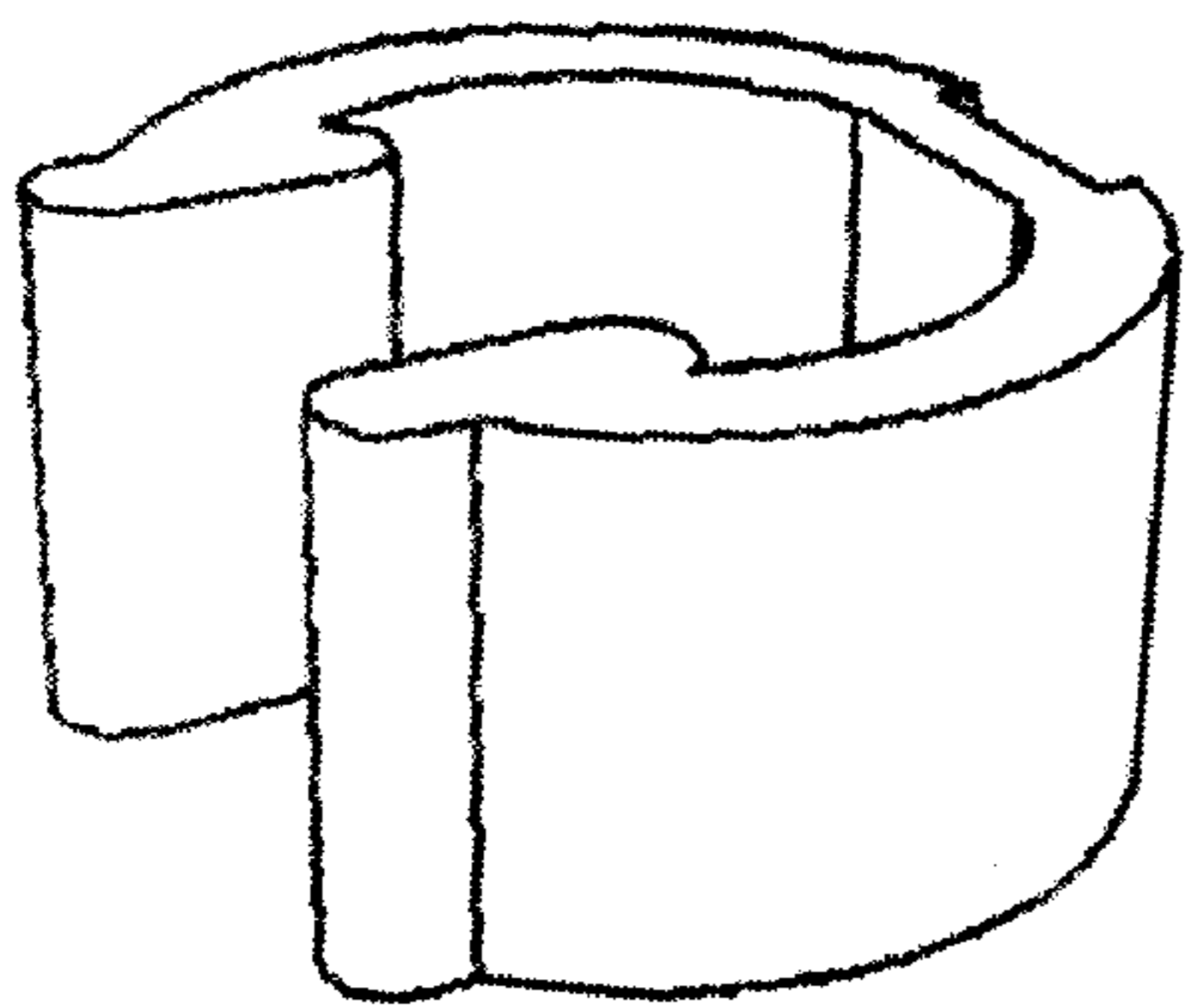


Fig. 3

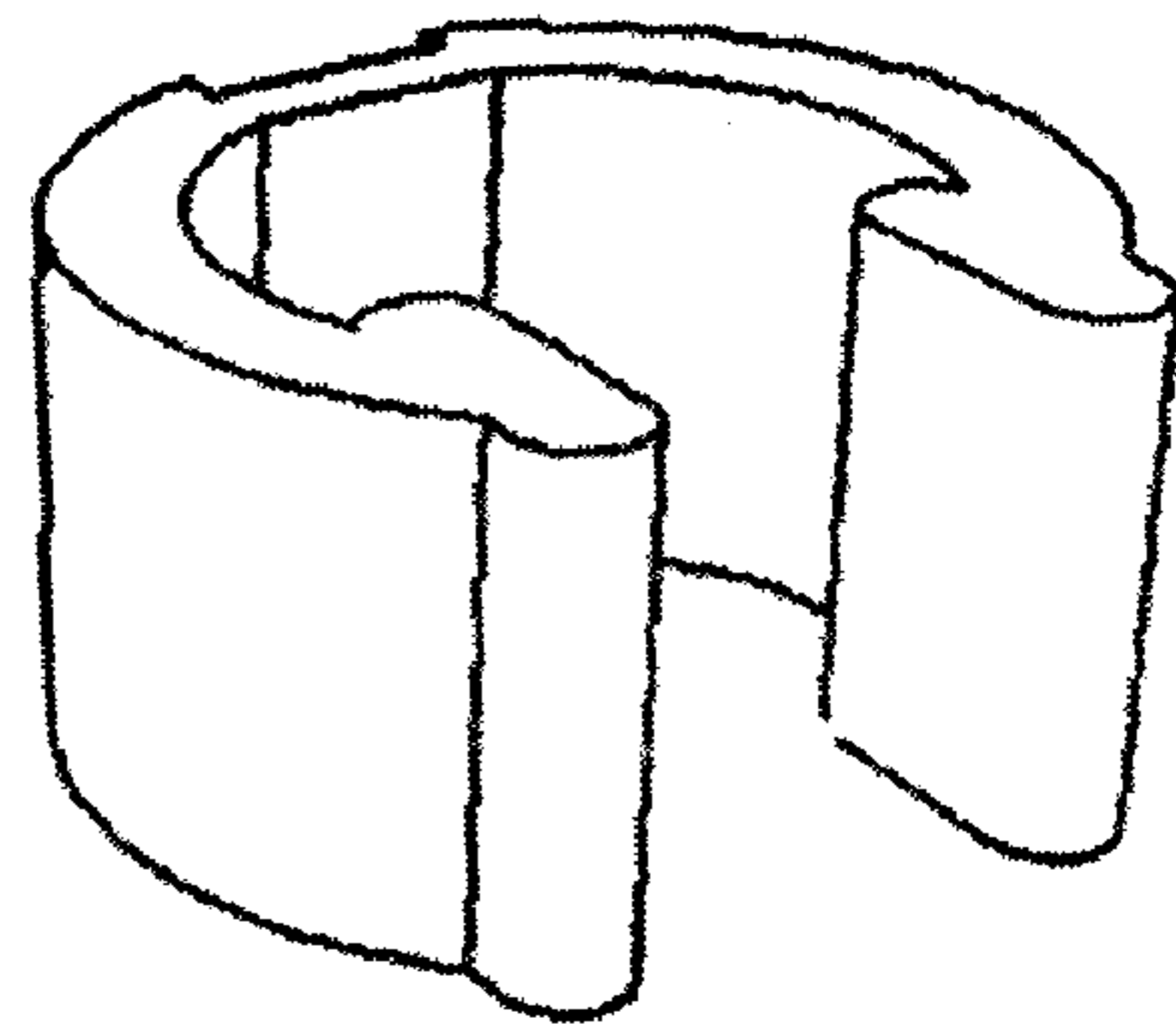


Fig. 4

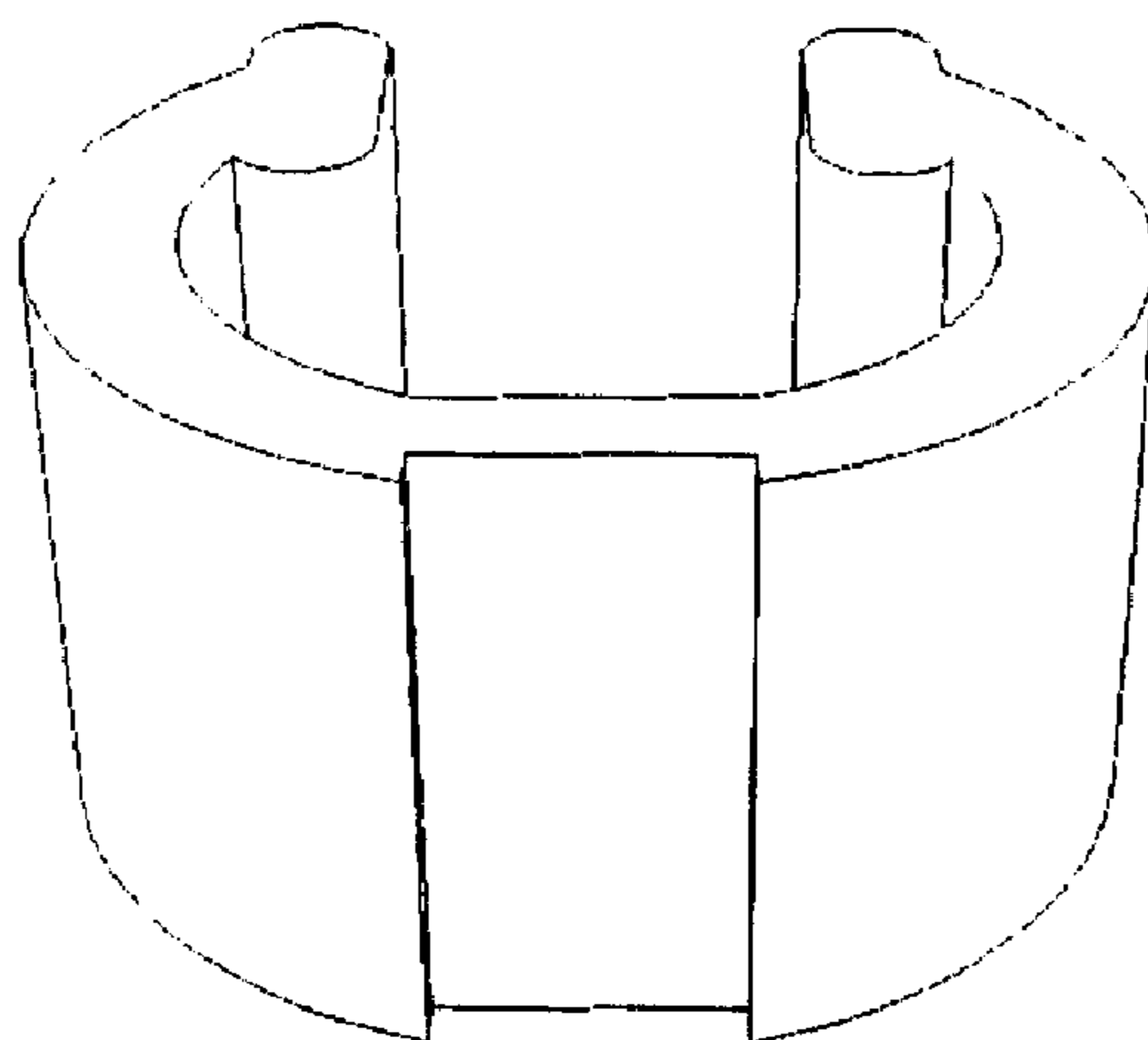


Fig. 5

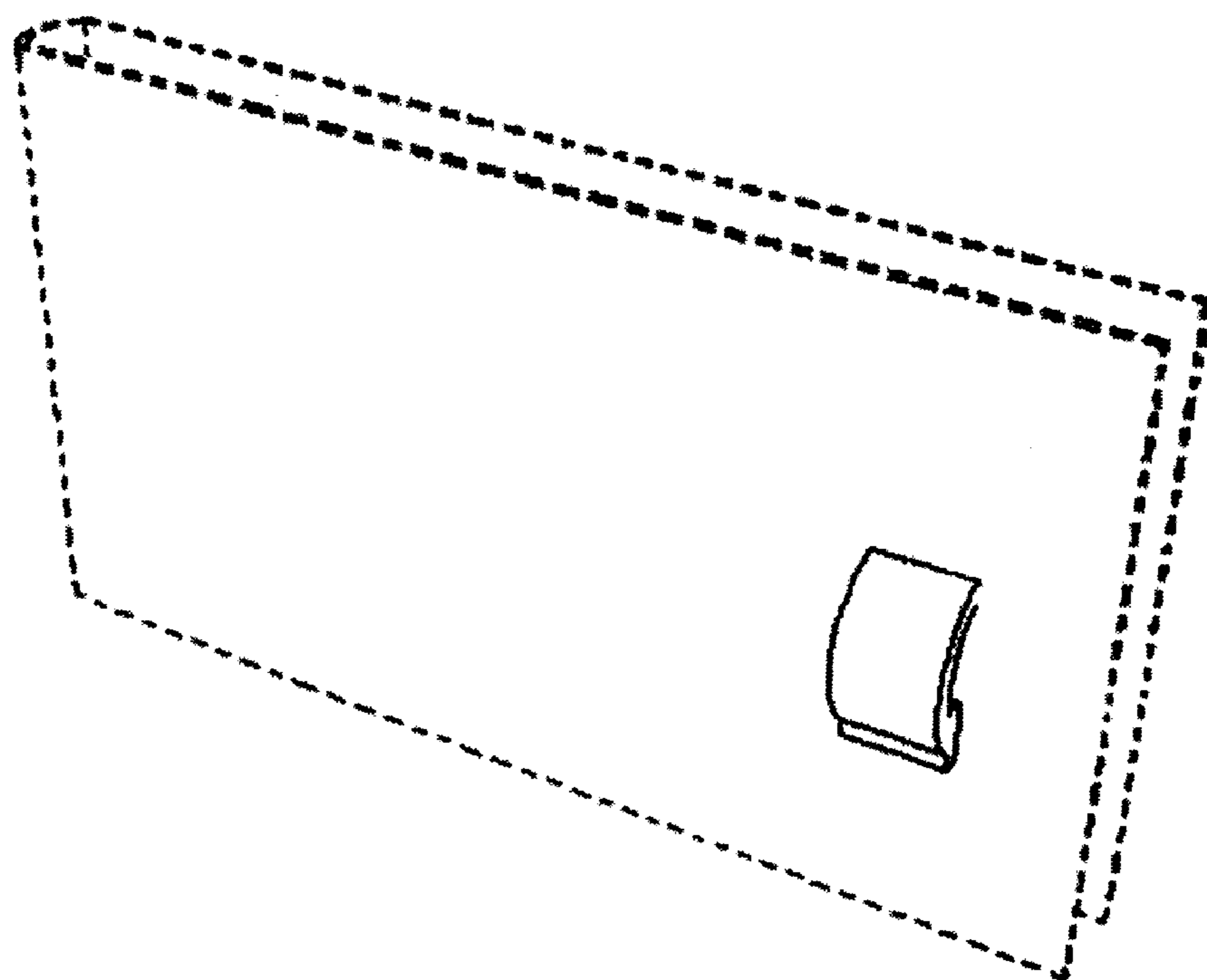


Fig. 6