



US00D567142S

(12) **United States Design Patent**  
**Gut et al.**

(10) **Patent No.:** **US D567,142 S**  
(45) **Date of Patent:** **\*\* Apr. 22, 2008**

(54) **BASE TAPE OF A GARMENT FASTENER**

(75) Inventors: **Mary Gut**, Raleigh, NC (US); **Erik Matheny**, Raleigh, NC (US)

(73) Assignee: **Ideal Fastener Corporation**, Oxford, NC (US)

(\*\*) Term: **14 Years**

(21) Appl. No.: **29/279,037**

(22) Filed: **Apr. 18, 2007**

(51) **LOC (8) Cl.** ..... **02-07**

(52) **U.S. Cl.** ..... **D11/208**

(58) **Field of Classification Search** ..... D11/200–201, D11/206–210, 214–216, 218; 24/163 R, 24/169–171, 173, 177–179, 191, 194, 195, 24/200, 197; 450/1, 58

See application file for complete search history.

(56) **References Cited**

U.S. PATENT DOCUMENTS

2,861,276	A *	11/1958	Alfandre	.....	112/407
6,520,832	B2 *	2/2003	Devita et al.	.....	450/1
7,086,925	B2 *	8/2006	Kaye et al.	.....	450/58
D530,648	S *	10/2006	Utaka	.....	D11/208

\* cited by examiner

*Primary Examiner*—Ralf Seifert

(74) *Attorney, Agent, or Firm*—Roberts Mardula & Wertheim, LLC

(57) **CLAIM**

The ornamental design for a base tape of a garment fastener, as shown and described.

**DESCRIPTION**

FIG. 1 is a perspective view of base tape of a garment closure illustrating our new design;

FIG. 2 is a front view thereof;

FIG. 3 is a back view thereof;

FIG. 4 is a top view thereof, with a bottom view being a mirror image thereof;

FIG. 5 is a right side end view thereof;

FIG. 6 is a left side end view thereof;

FIG. 7 is a perspective view of base tape of a garment closure illustrating an alternative embodiment of our new design;

FIG. 8 is a front view of the alternative embodiment of FIG. 7;

FIG. 9 is a back view of the alternative embodiment of FIG. 7;

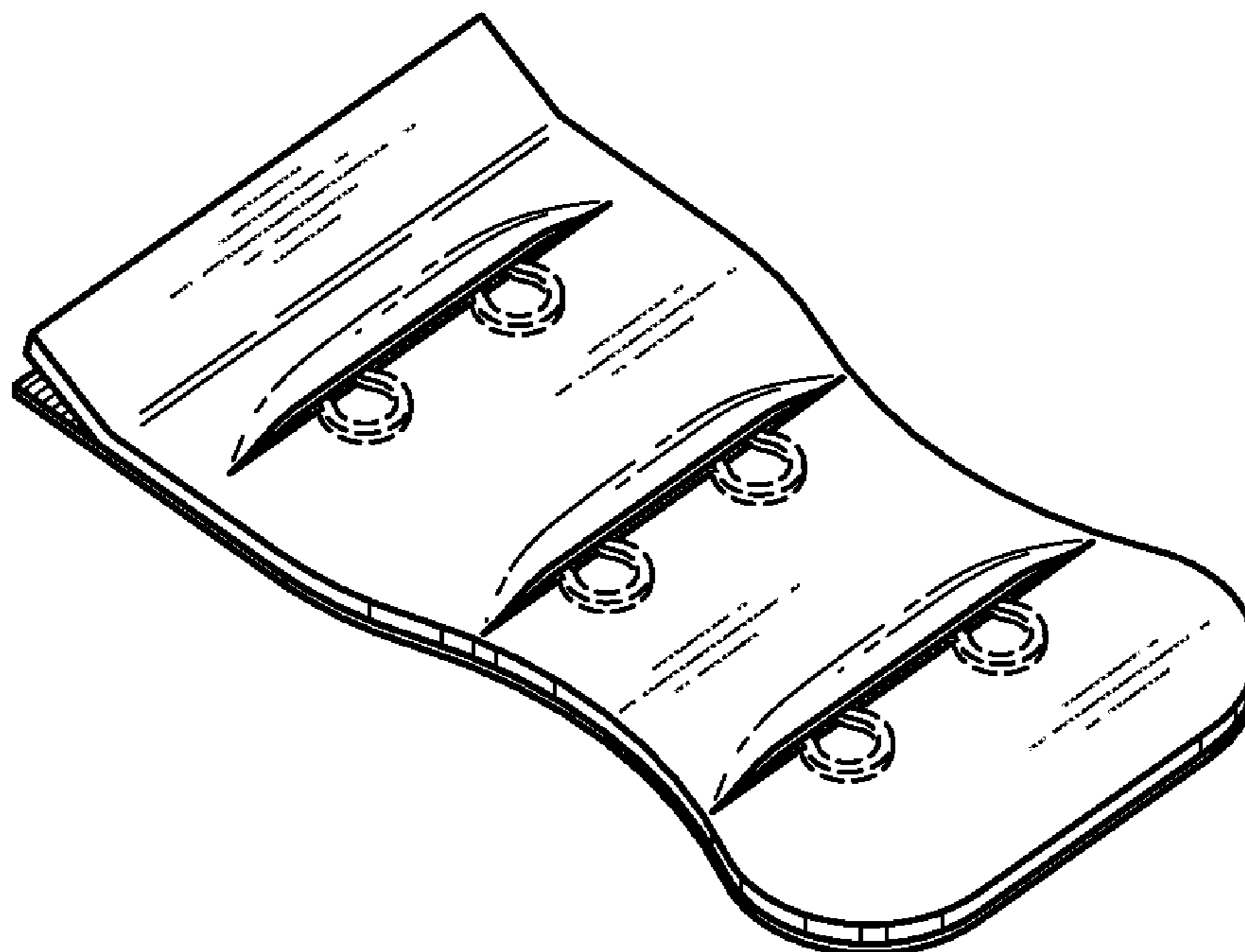
FIG. 10 is a top view of the alternative embodiment of FIG. 7, with a bottom view being a mirror image thereof;

FIG. 11 is a right side end view of the alternative embodiment of FIG. 7; and,

FIG. 12 is a left side end view of the alternative embodiment of FIG. 7.

It being understood that the broken lines are for exemplary illustrative purposes only and form no part of the claimed design.

**1 Claim, 2 Drawing Sheets**



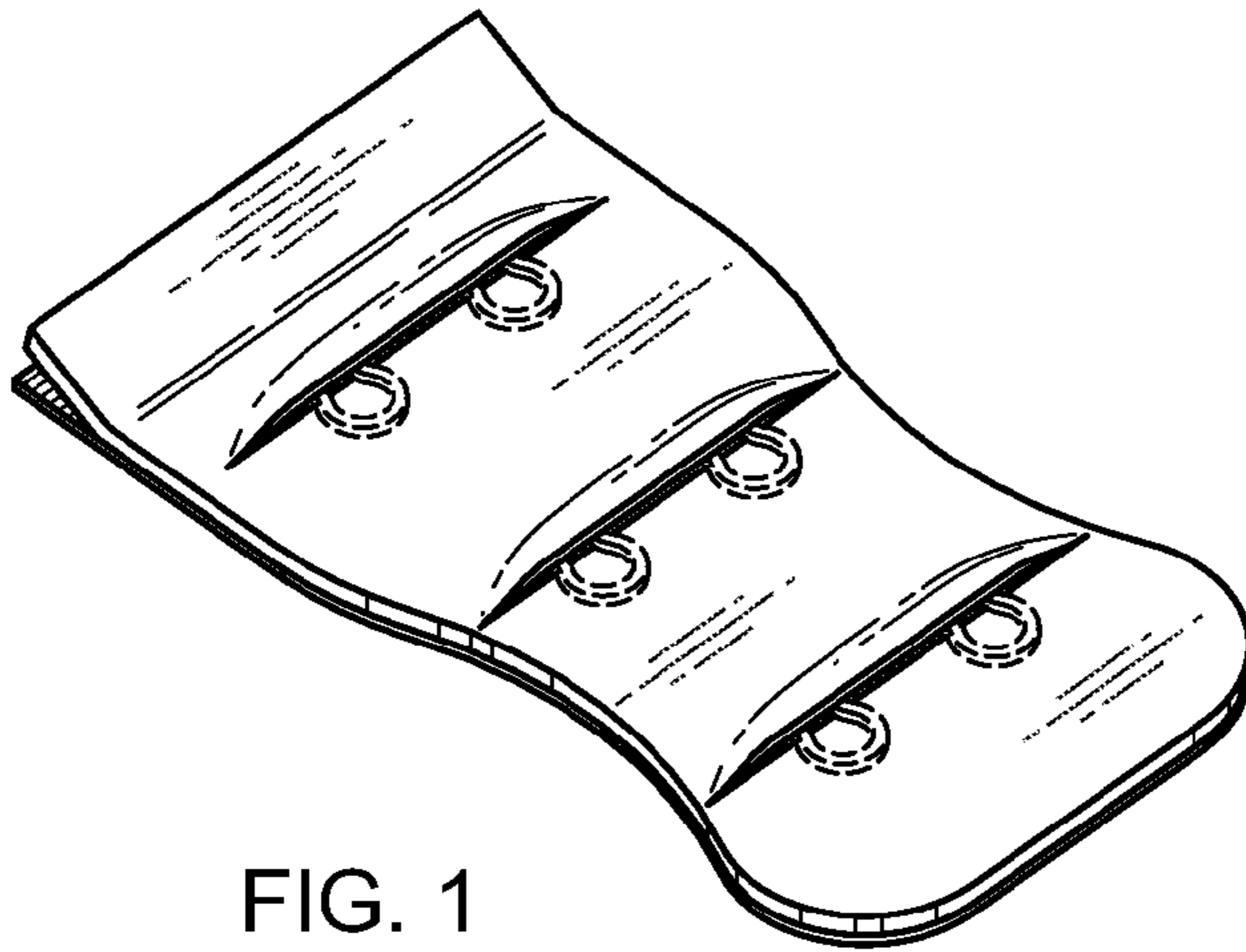


FIG. 1

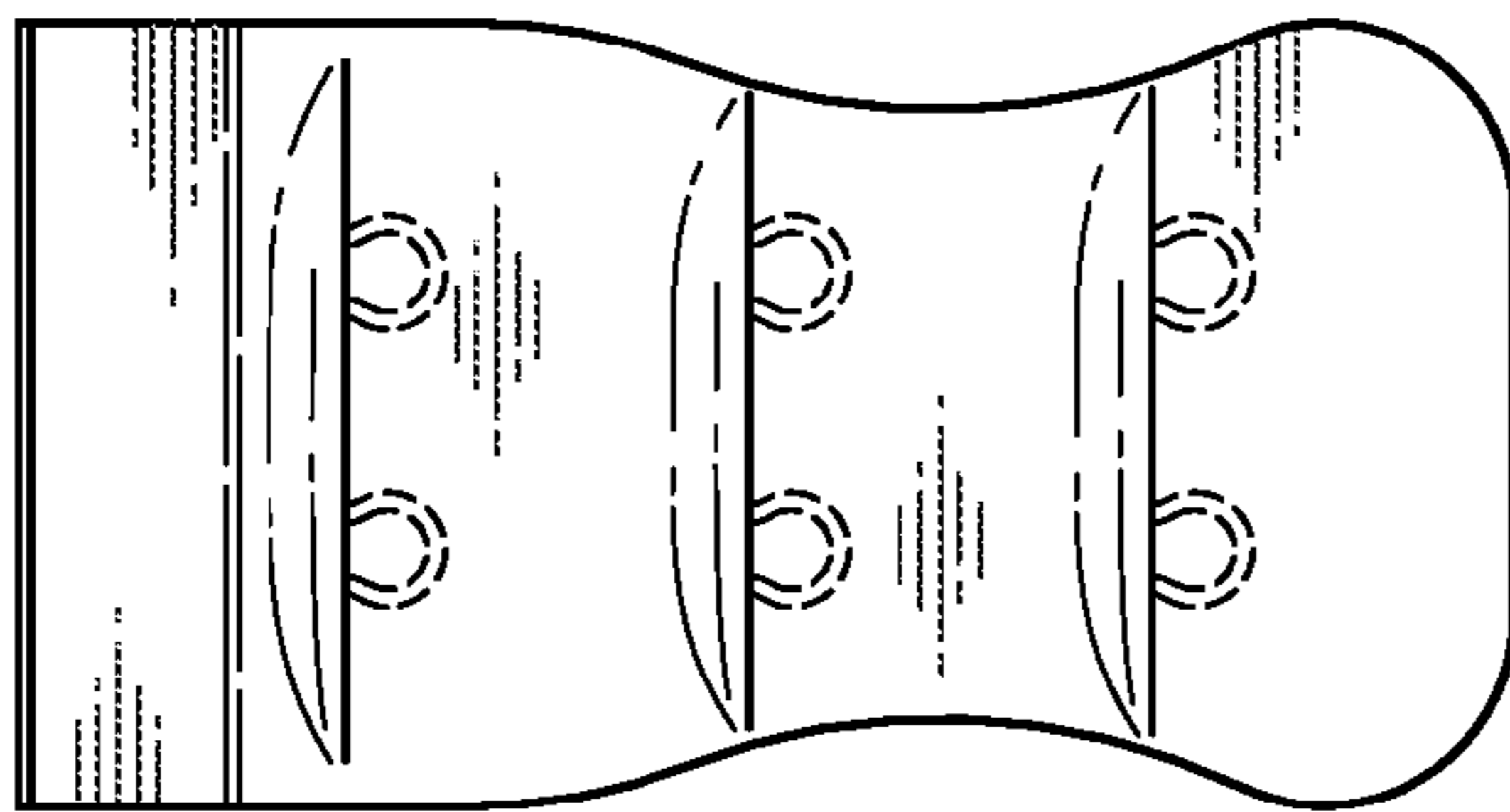


FIG. 2

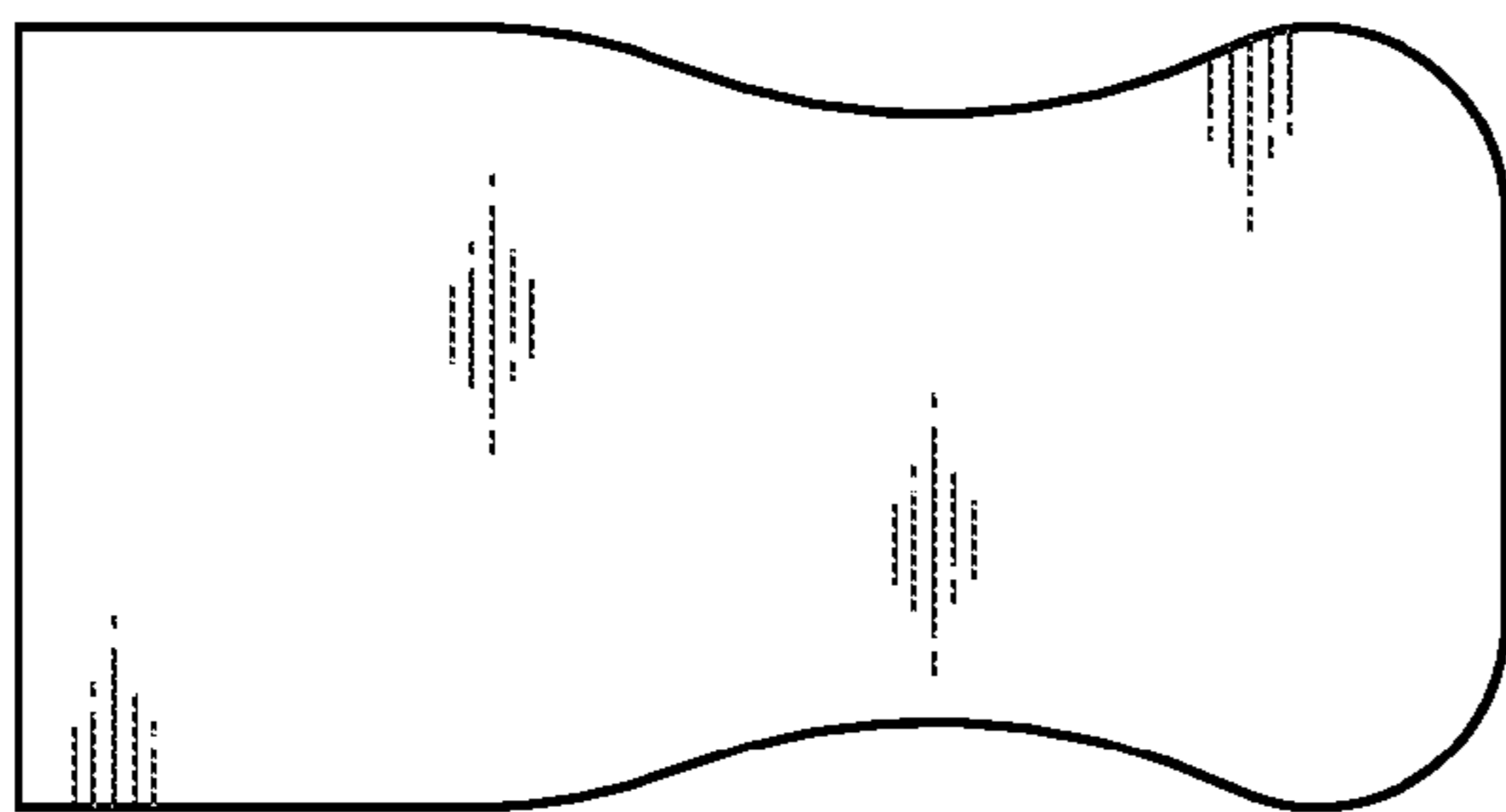


FIG. 3



FIG. 4



FIG. 5



FIG. 6

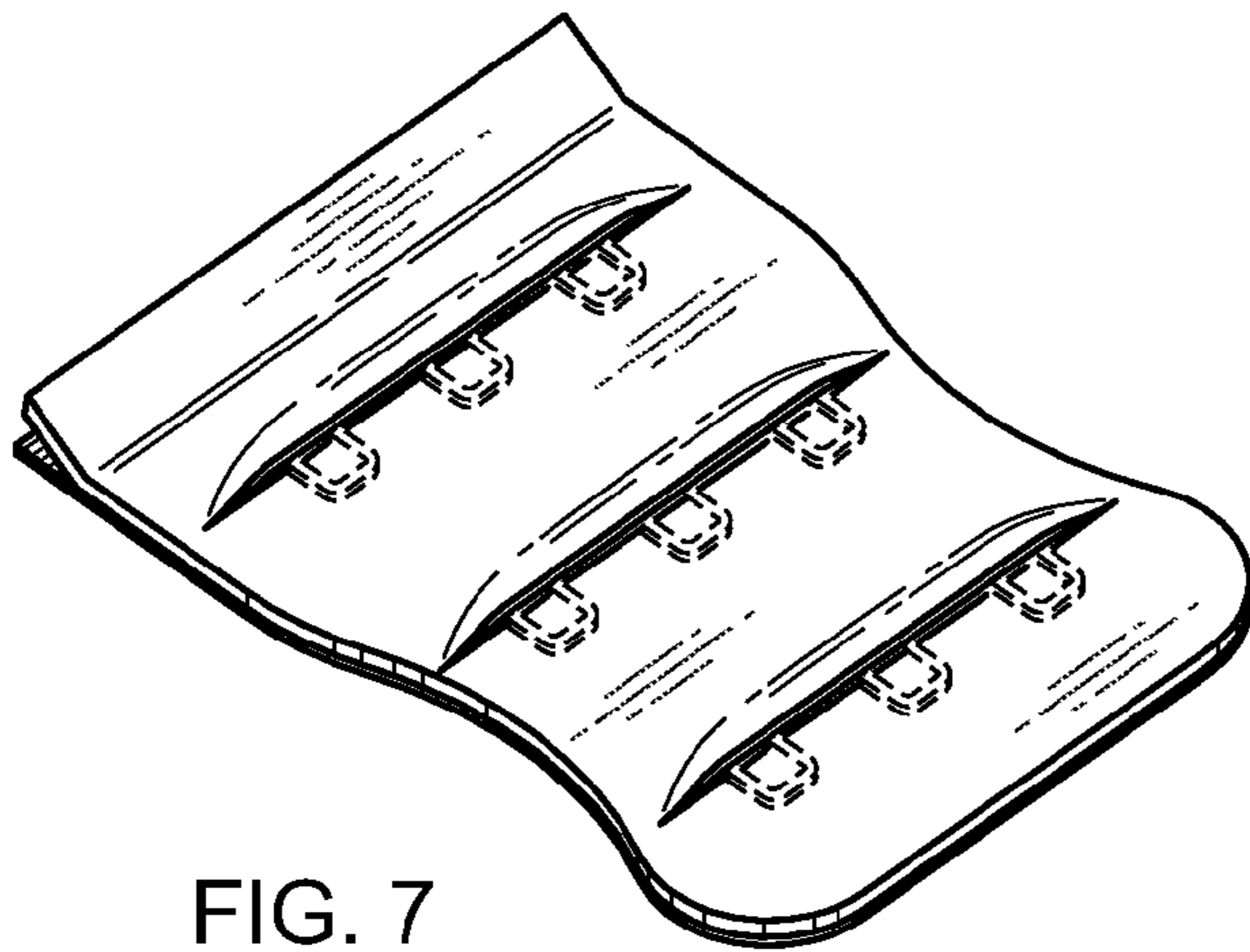


FIG. 7

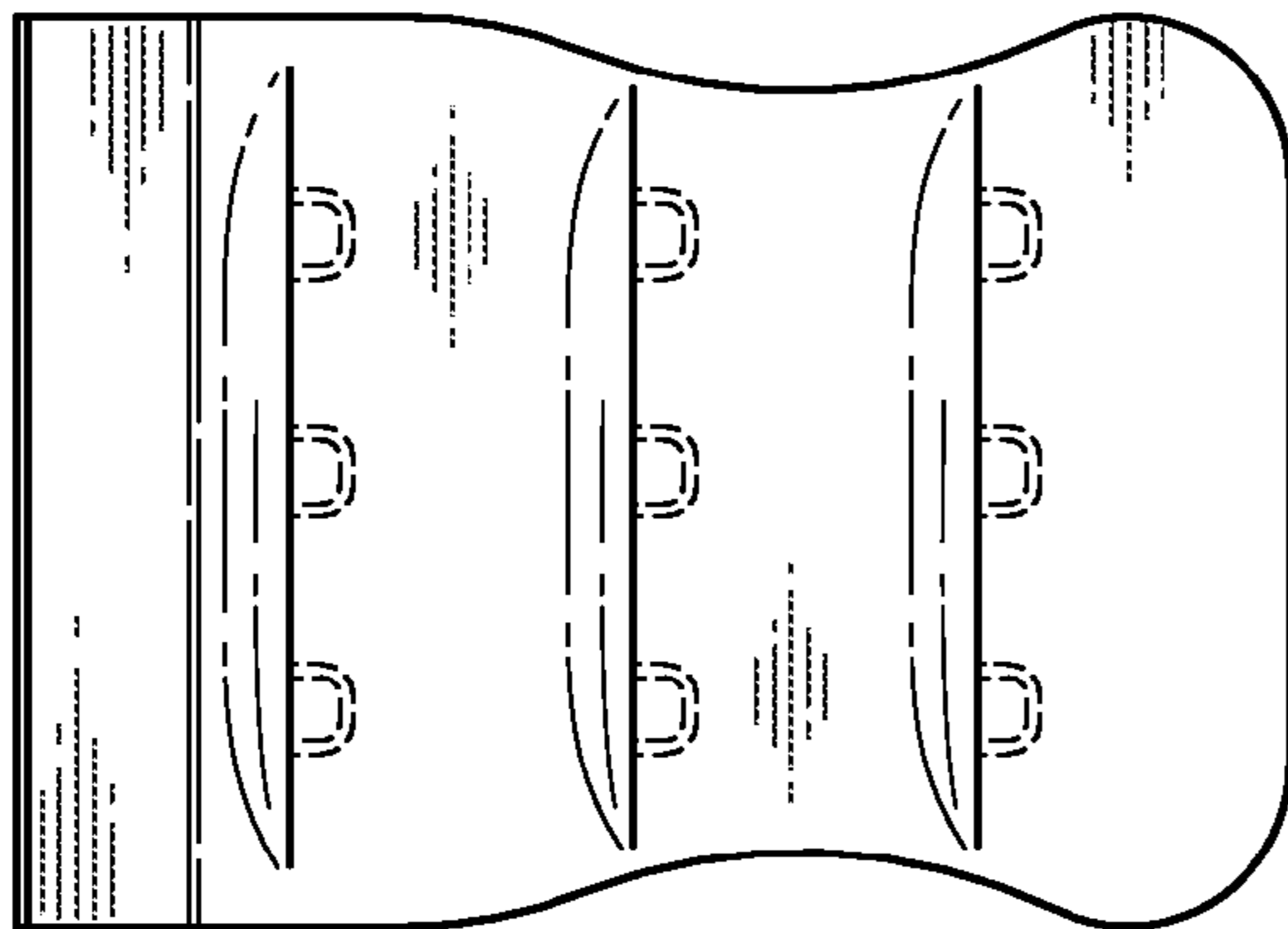


FIG. 8

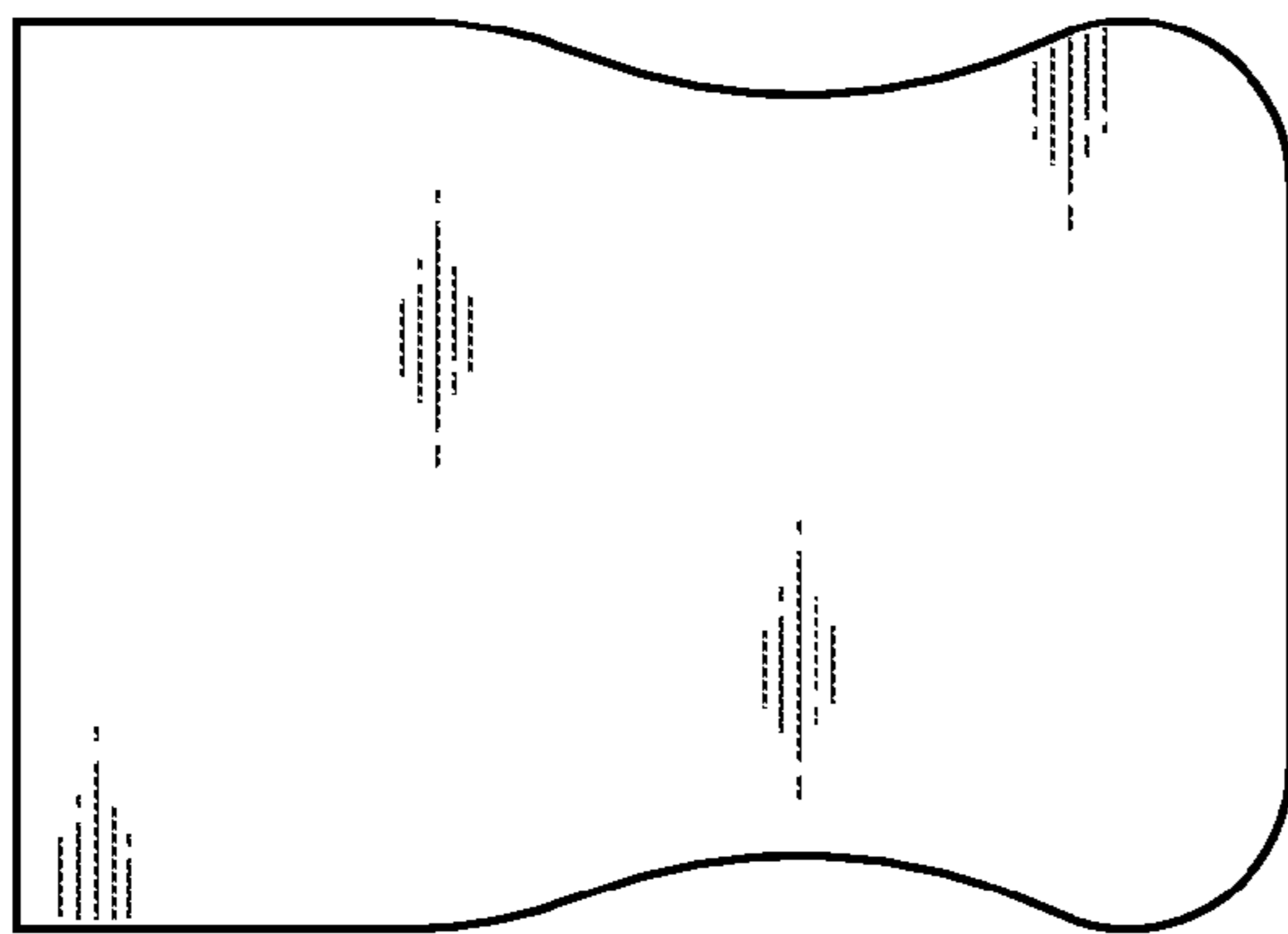


FIG. 9



FIG. 10



FIG. 11



FIG. 12