



US00D567130S

(12) **United States Design Patent**
Keating

(10) **Patent No.:** **US D567,130 S**

(45) **Date of Patent:** **** Apr. 22, 2008**

(54) **RING SHANK**

D513,204 S * 12/2005 Sandberg D11/35
D523,372 S * 6/2006 Kaufman D11/35

(75) Inventor: **Scott Keating**, Snowmass, CO (US)

* cited by examiner

(73) Assignee: **Sandberg & Sikorski Corporation**,
New York, NY (US)

Primary Examiner—Charles A Rademaker

Assistant Examiner—Melanie Levy

(**) Term: **14 Years**

(74) *Attorney, Agent, or Firm*—Gottlieb, Rackman &
Reisman

(21) Appl. No.: **29/280,237**

(57) **CLAIM**

(22) Filed: **May 22, 2007**

The ornamental design for ring shank, as shown and
described.

(51) **LOC (8) Cl.** **11-01**

(52) **U.S. Cl.** **D11/35; D11/91**

(58) **Field of Classification Search** D11/3,
D11/26-39, 91-92; 63/15, 15.1-15.4, 15.45,
63/15.5, 15.6, 15.7, 26-27

See application file for complete search history.

DESCRIPTION

FIG. 1 is a front elevational view thereof;

FIG. 2 is a bottom plan view thereof;

FIG. 3 is a side elevational view thereof; and,

FIG. 4 is a cross-sectional view thereof taken along line
4-4 of FIG. 1.

The broken lines are for illustrative purposes only and form
no part of the claimed design.

(56) **References Cited**

U.S. PATENT DOCUMENTS

D466,432 S * 12/2002 Itzkowitz D11/35
D499,043 S * 11/2004 Gavin D11/26
D512,659 S * 12/2005 Eliazarov D11/35

1 Claim, 2 Drawing Sheets

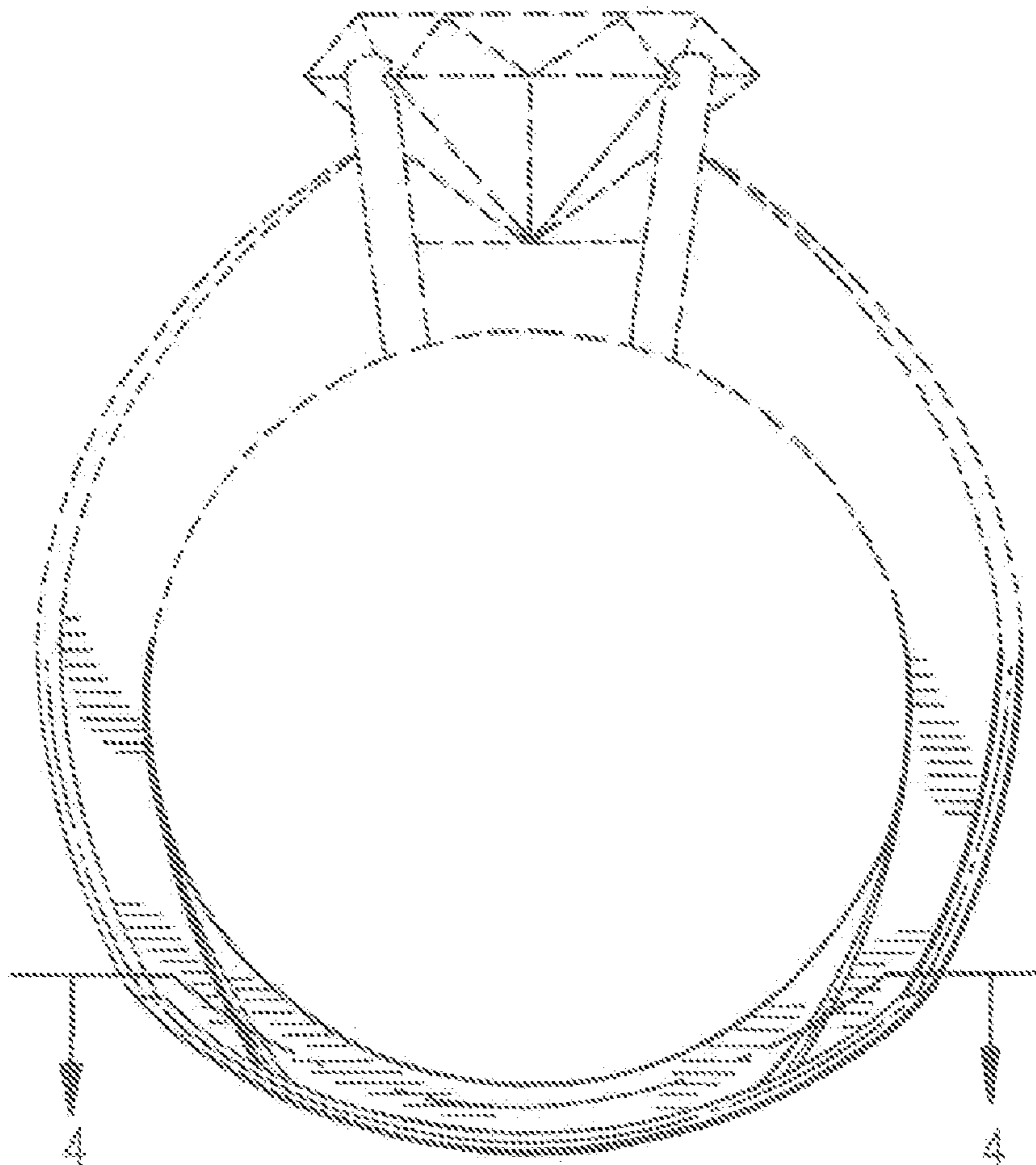


FIG. 1

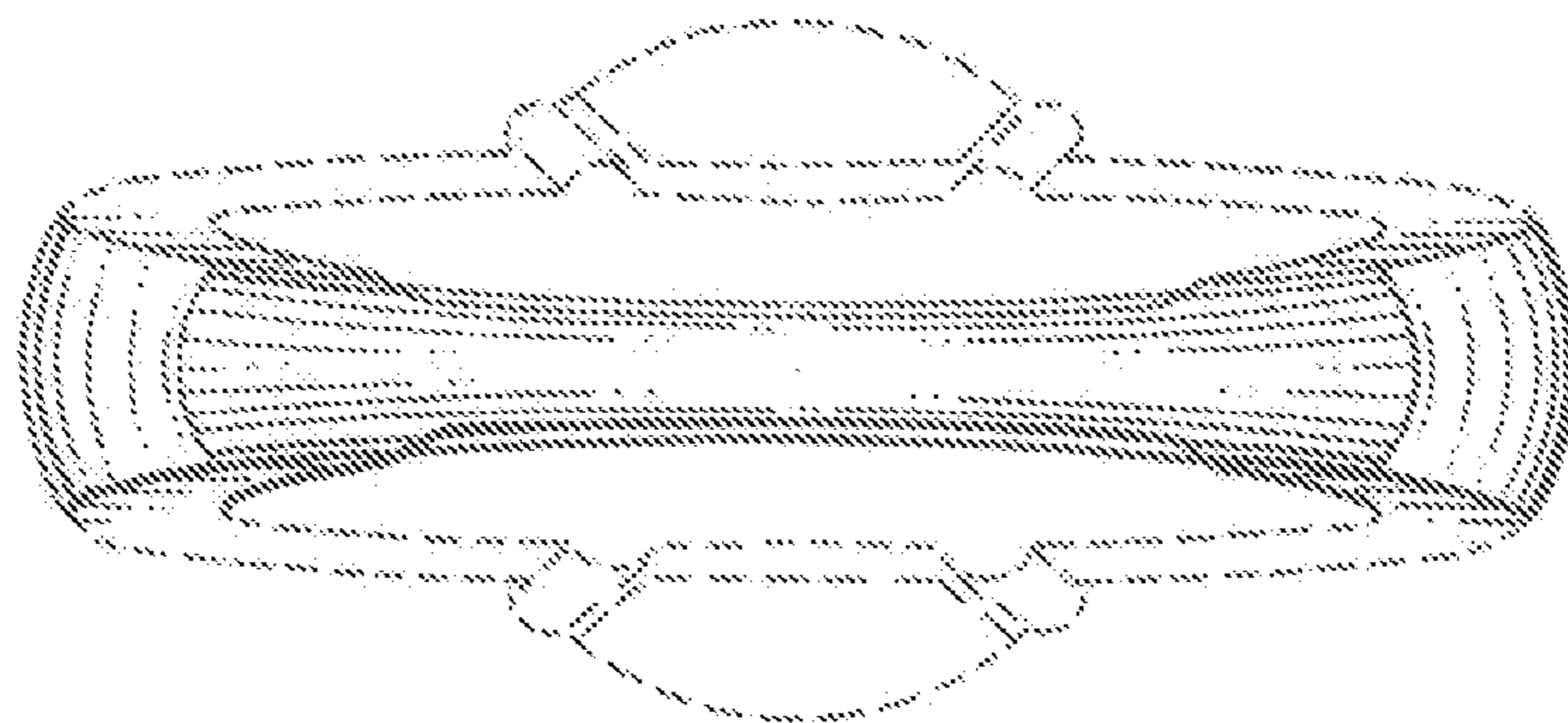
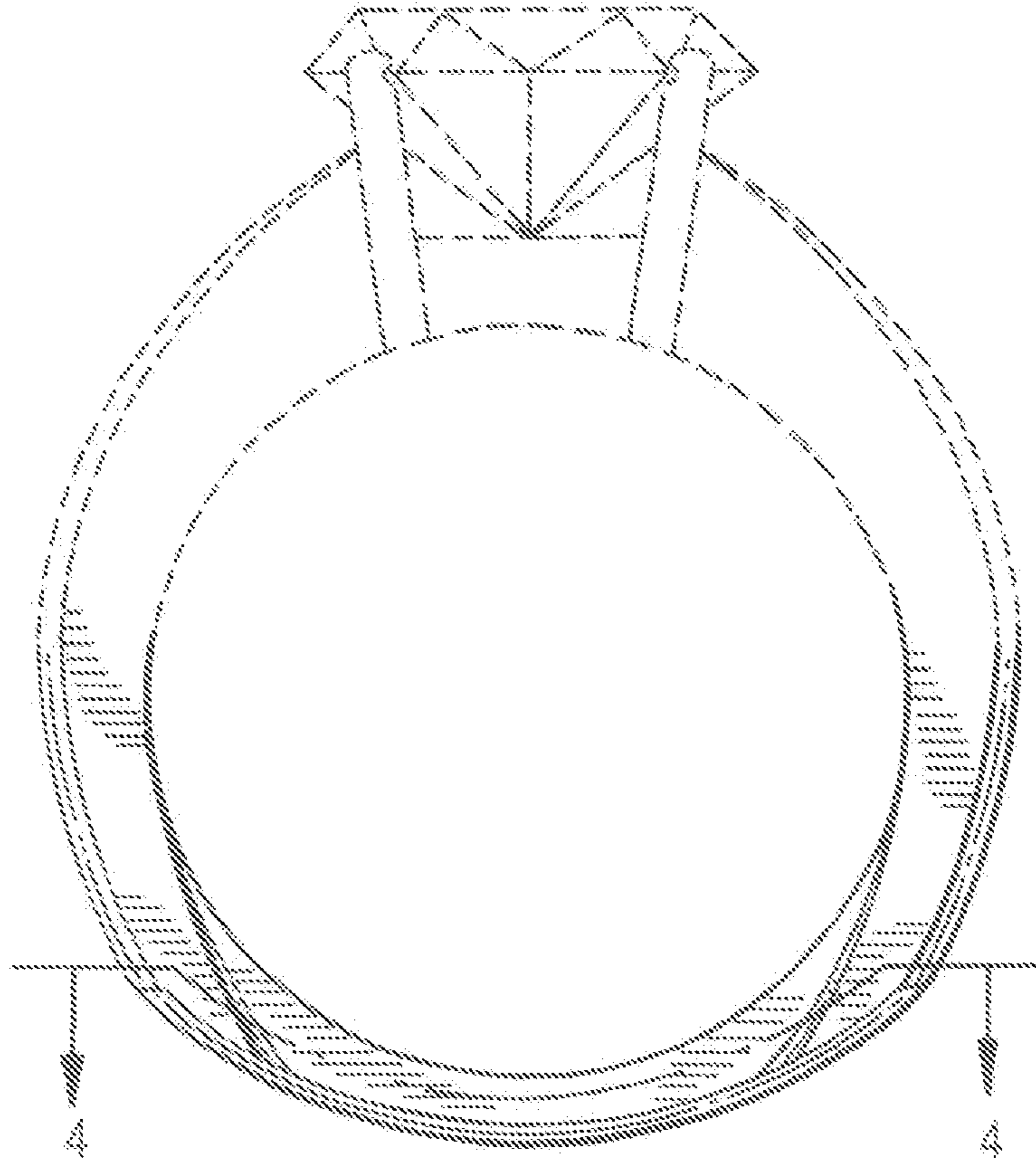


FIG. 2

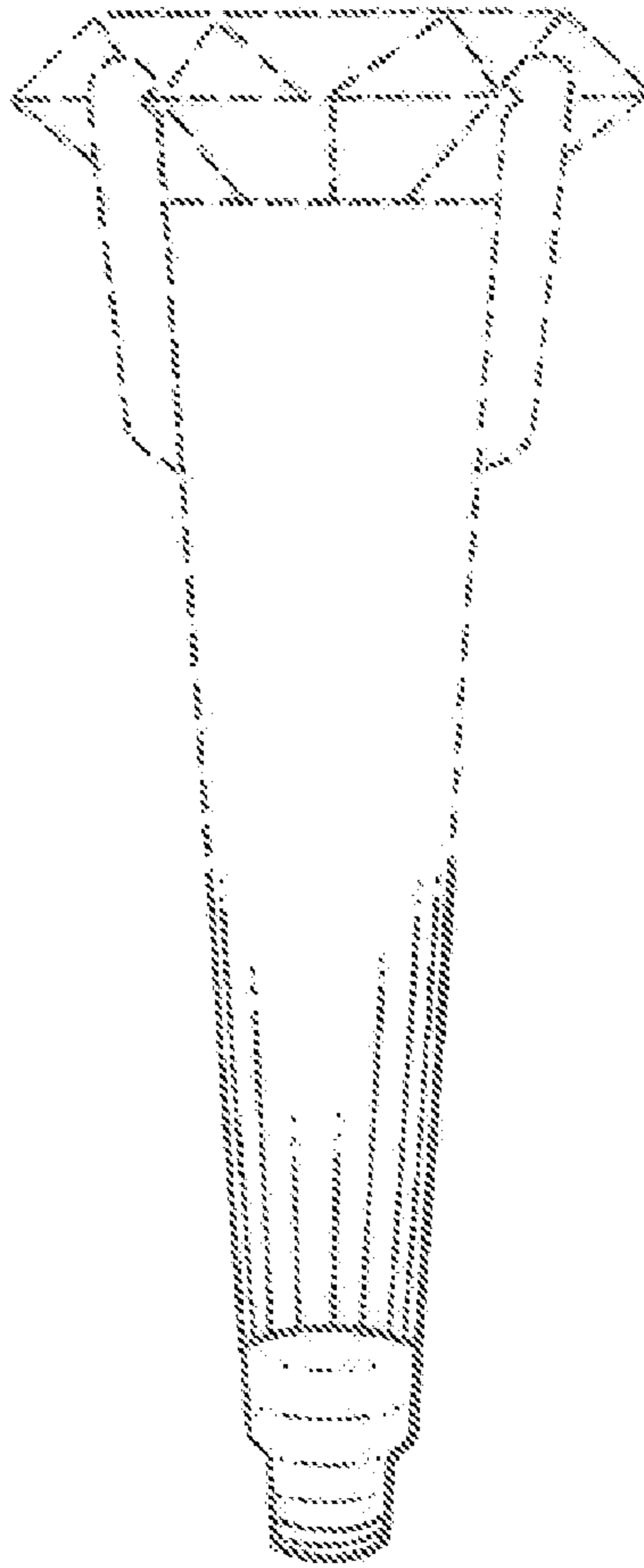


FIG. 3

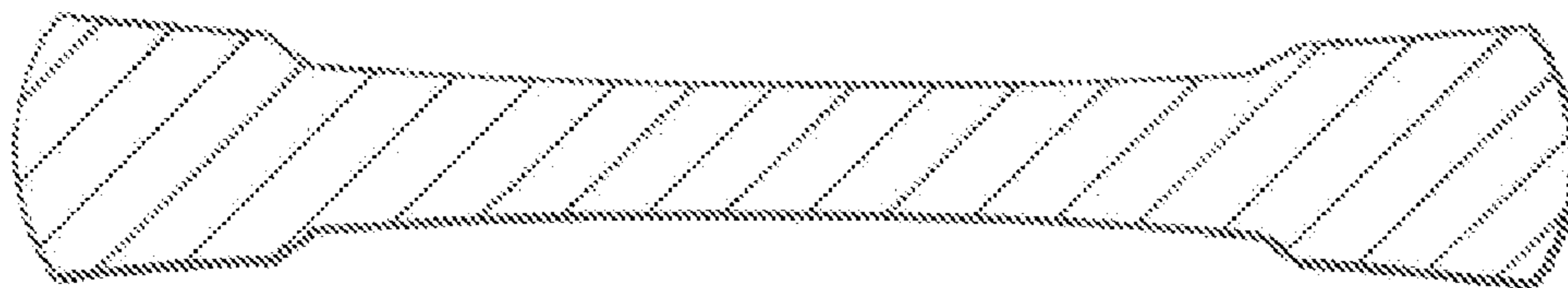


FIG. 4