



US00D567127S

(12) **United States Design Patent**
Bodum

(10) **Patent No.:** **US D567,127 S**

(45) **Date of Patent:** **** Apr. 22, 2008**

(54) **KITCHEN SCALE**

(75) Inventor: **Jørgen Bodum**, Meggen (CH)

(73) Assignee: **Pi-Design AG**, Triengen (CH)

(**) Term: **14 Years**

(21) Appl. No.: **29/282,505**

(22) Filed: **Jul. 23, 2007**

(30) **Foreign Application Priority Data**

Jan. 25, 2007 (DK) DA 2007 00051

(51) **LOC (8) Cl.** **10-04**

(52) **U.S. Cl.** **D10/91**

(58) **Field of Classification Search** D10/91;
177/4, 25.12-25.16, 177, 199, 210 R, 238-245,
177/DIG. 3, 262, 210 C, 30, 126, 127; 324/692,
324/512, 51, 806; 600/506, 547
See application file for complete search history.

(56) **References Cited**

U.S. PATENT DOCUMENTS

D376,990 S	*	12/1996	Pasini et al.	D10/91
D379,772 S	*	6/1997	Fabian	D10/91
D395,612 S	*	6/1998	Fabian	D10/91
D436,324 S	*	1/2001	Weiss	D10/91
D458,552 S	*	6/2002	Ekelund	D10/91
D472,173 S	*	3/2003	Bouhuys et al.	D10/91
D486,408 S	*	2/2004	de Groote	D10/91
D487,706 S	*	3/2004	Lau	D10/91

* cited by examiner

Primary Examiner—Antoine D. Davis

(74) *Attorney, Agent, or Firm*—Cowan, Liebowitz & Latman, PC

(57) **CLAIM**

The ornamental design for a kitchen scale, as shown and described.

DESCRIPTION

FIG. 1 is a perspective view of the kitchen scale showing my design thereof;

FIG. 2 is a front view thereof;

FIG. 3 is a back view thereof;

FIG. 4 is a right side view thereof;

FIG. 5 is a left side view thereof;

FIG. 6 is a top view thereof;

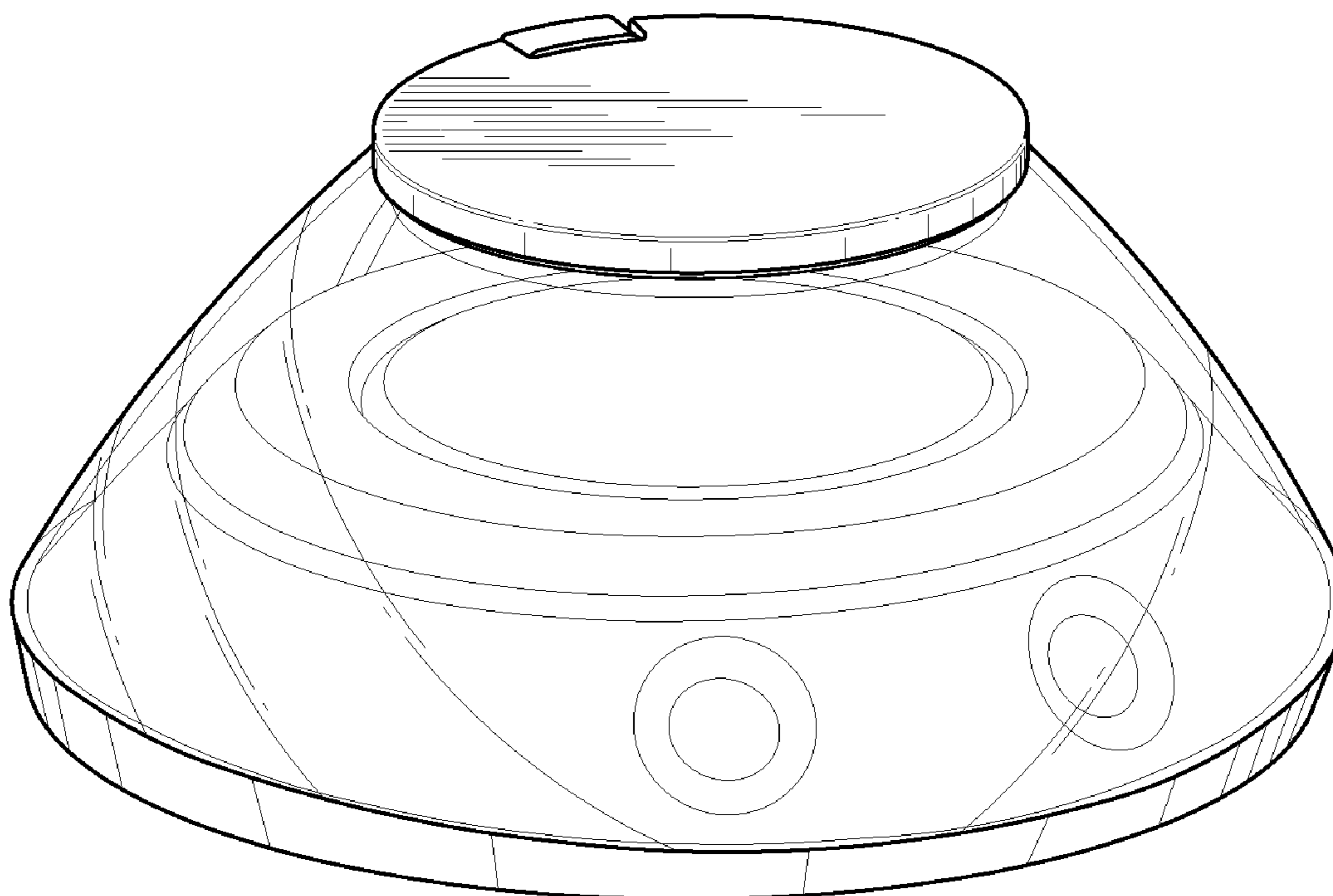
FIG. 7 is a bottom view thereof;

FIG. 8 is a perspective view thereof with a display being in an upright position;

FIG. 9 is a perspective view thereof with the display being in an upright position and a bowl in a flipped ready-to-use position; and,

FIG. 10 is a perspective view thereof without the bowl and with the display in an upright and extended position.

1 Claim, 7 Drawing Sheets



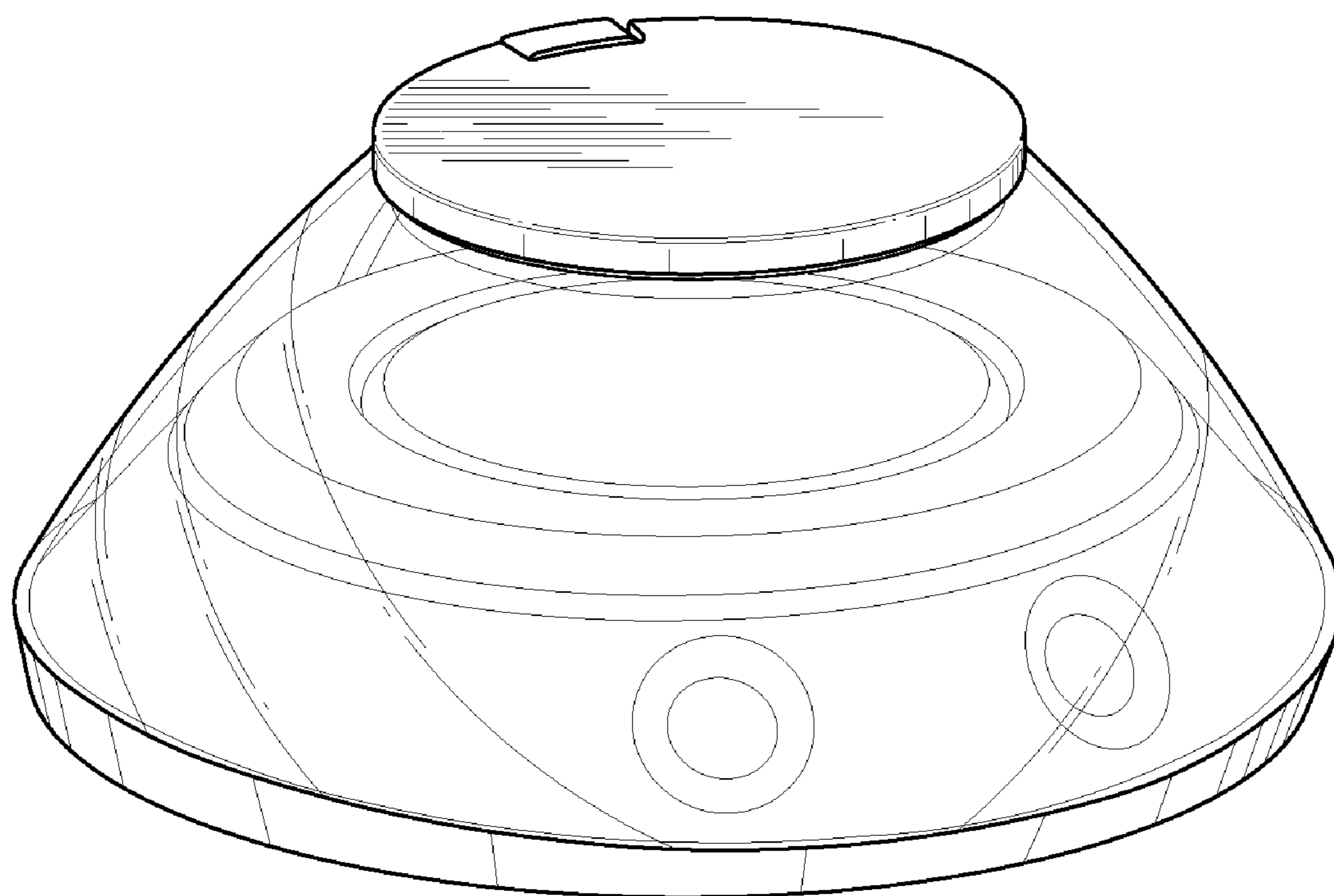


FIG. 1

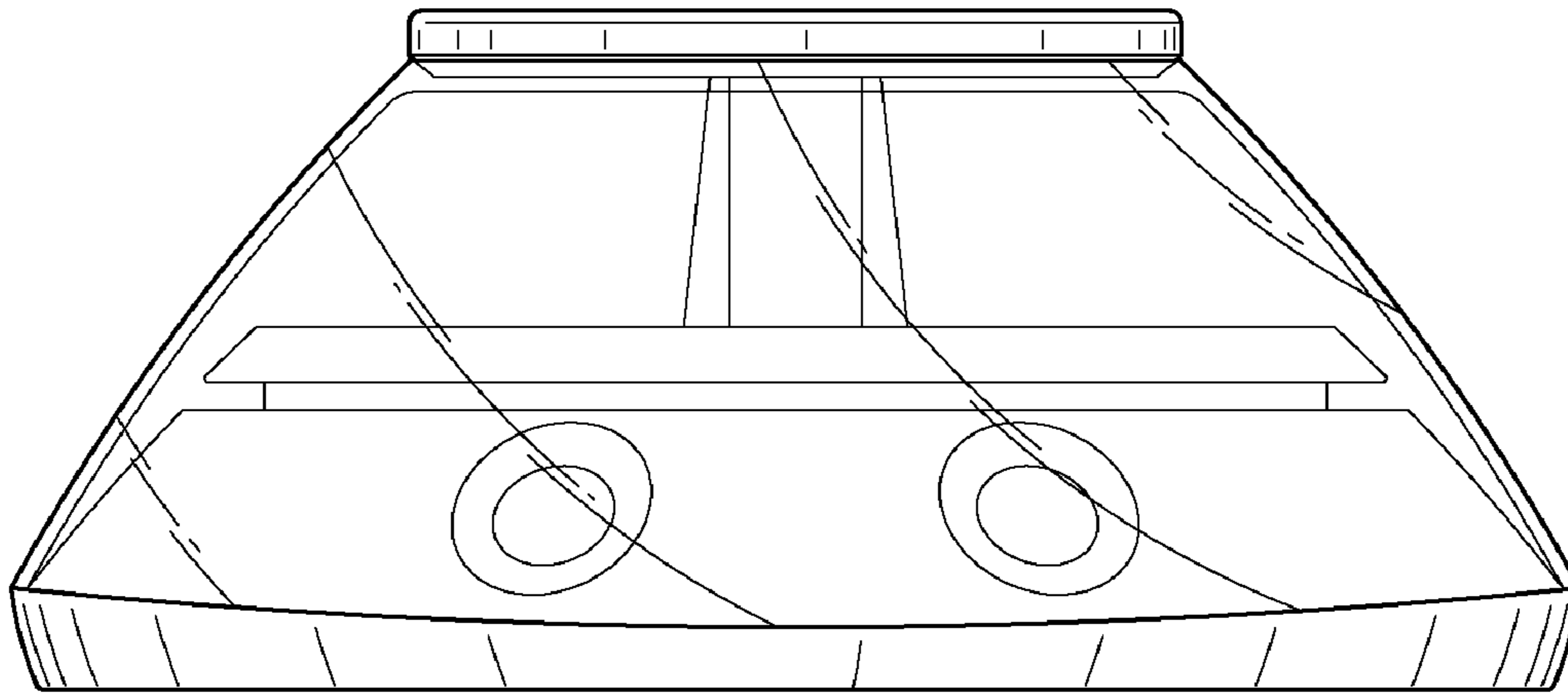


FIG. 2

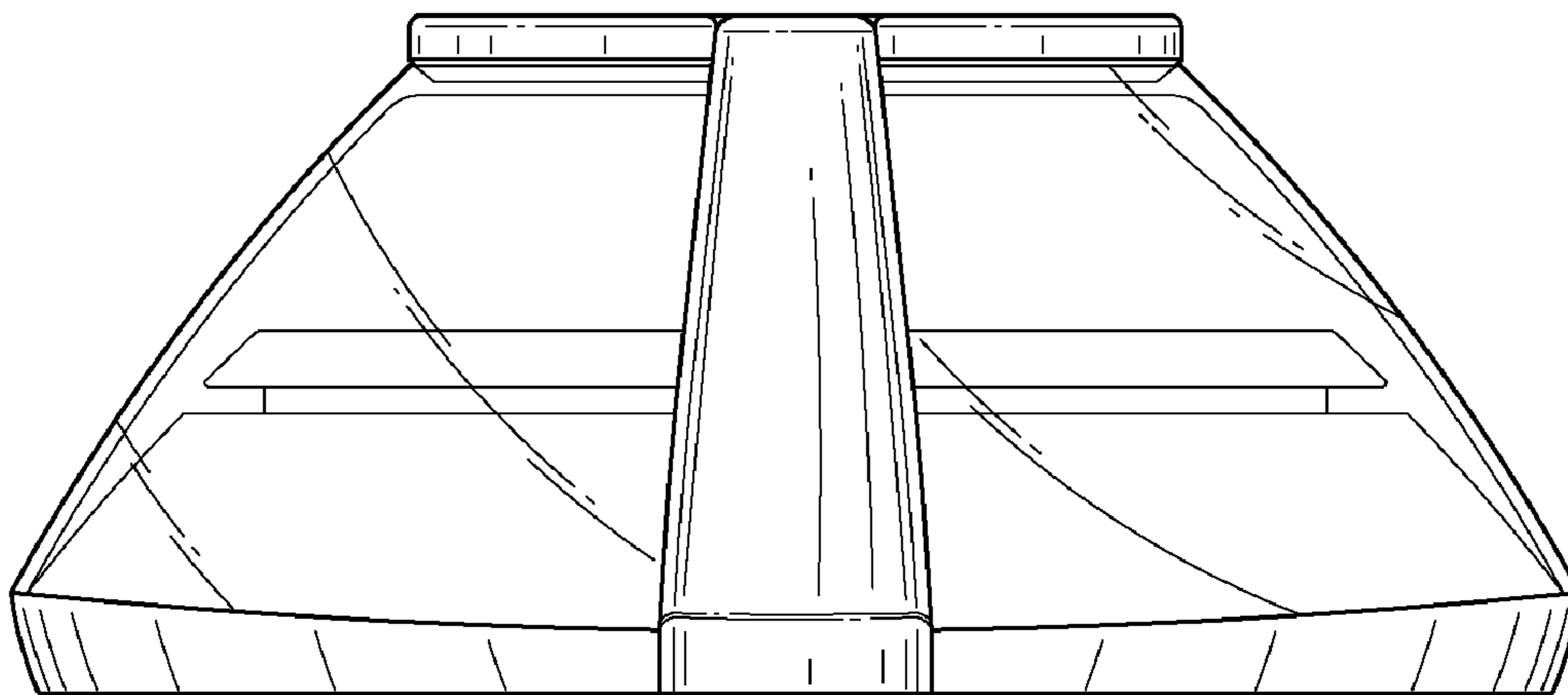


FIG. 3

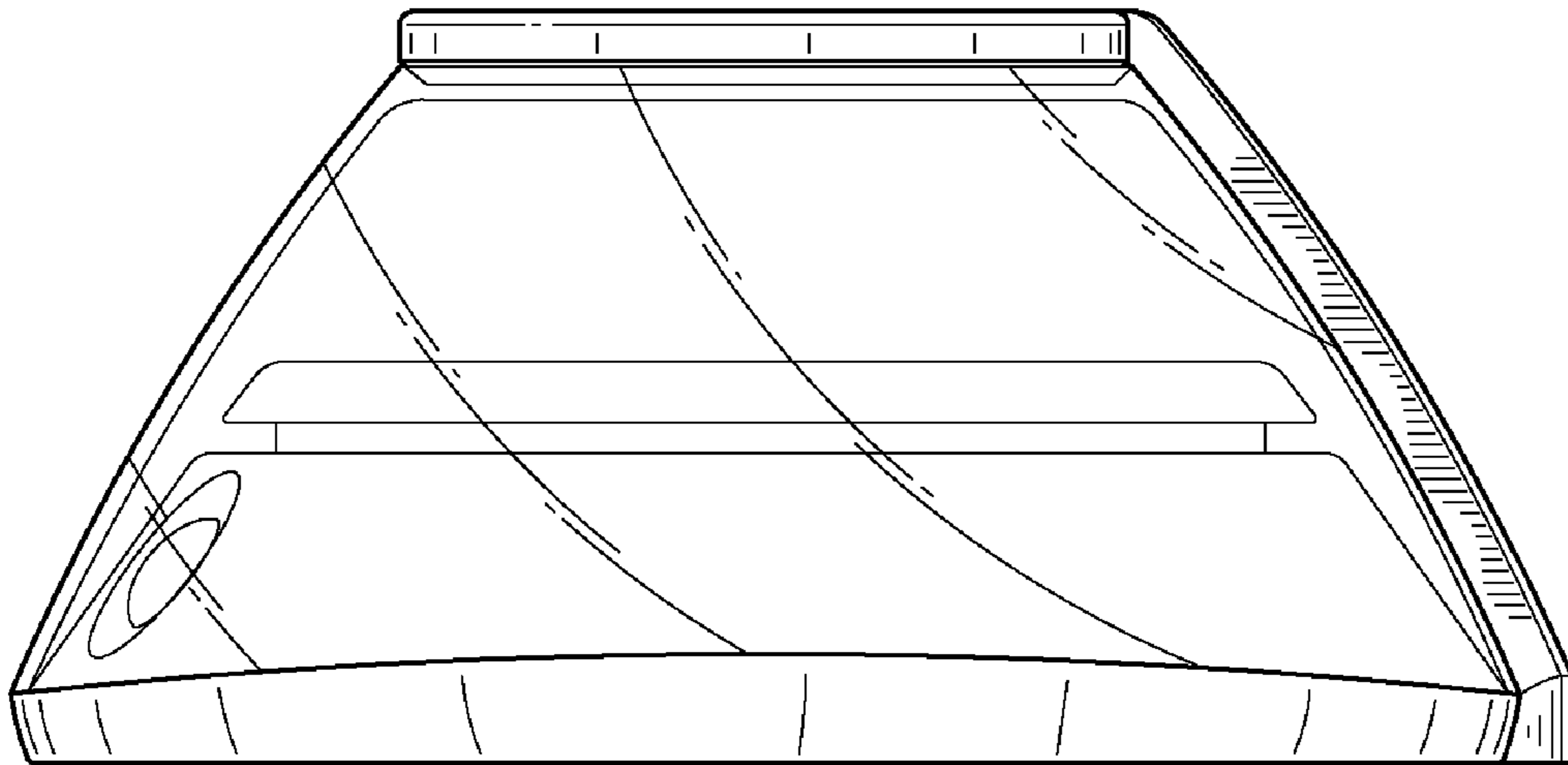


FIG. 4

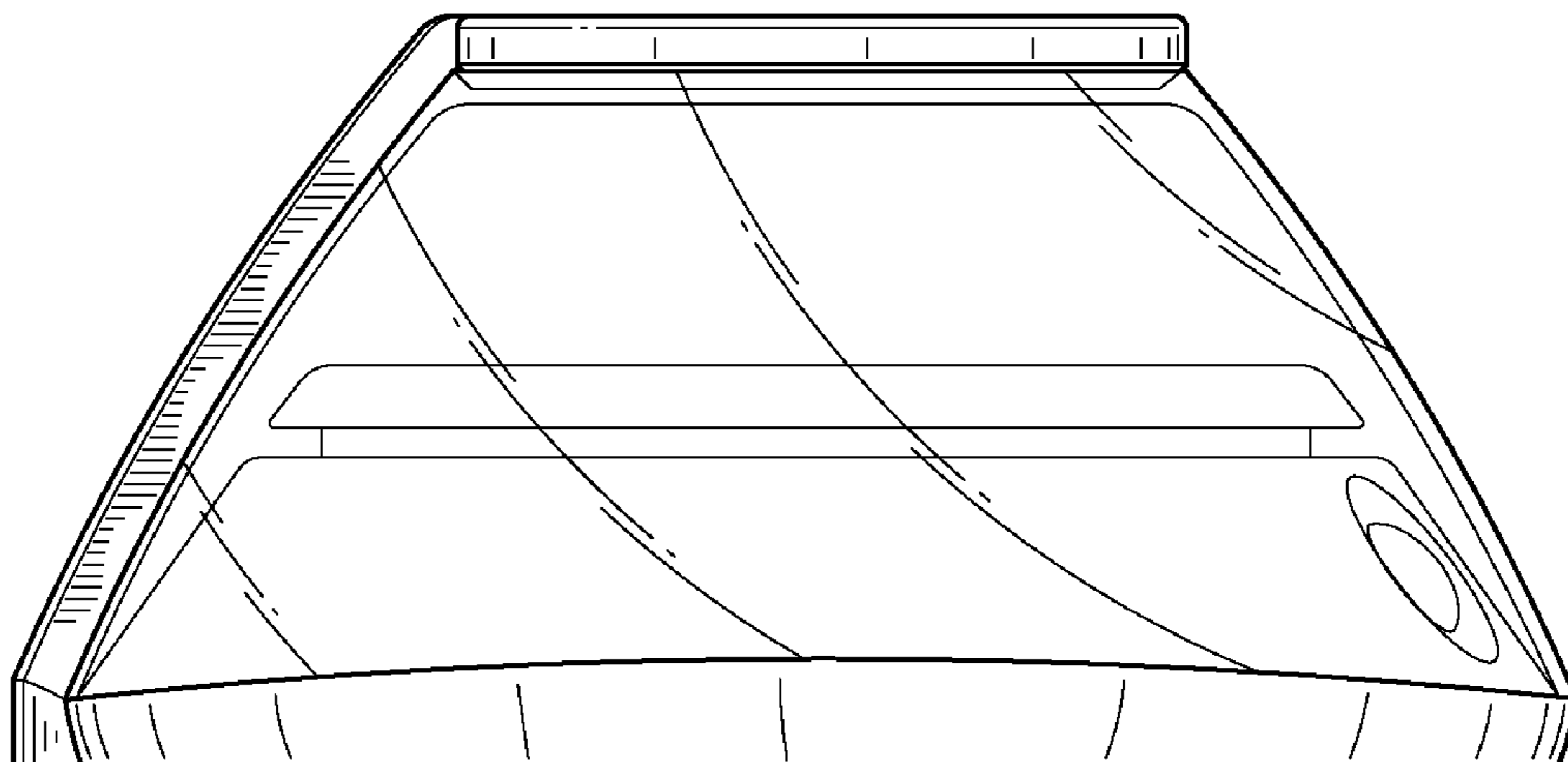


FIG. 5

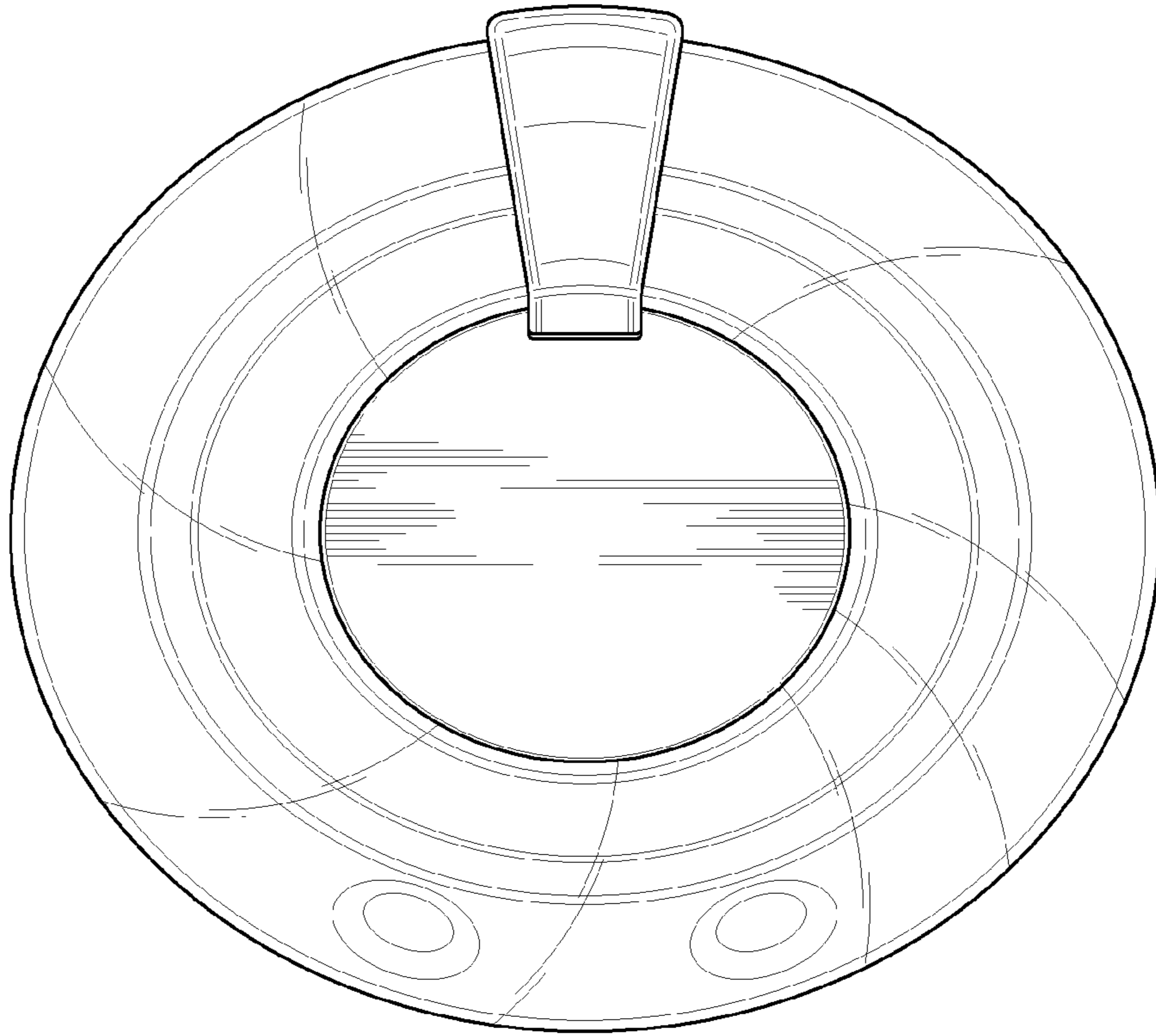


FIG. 6

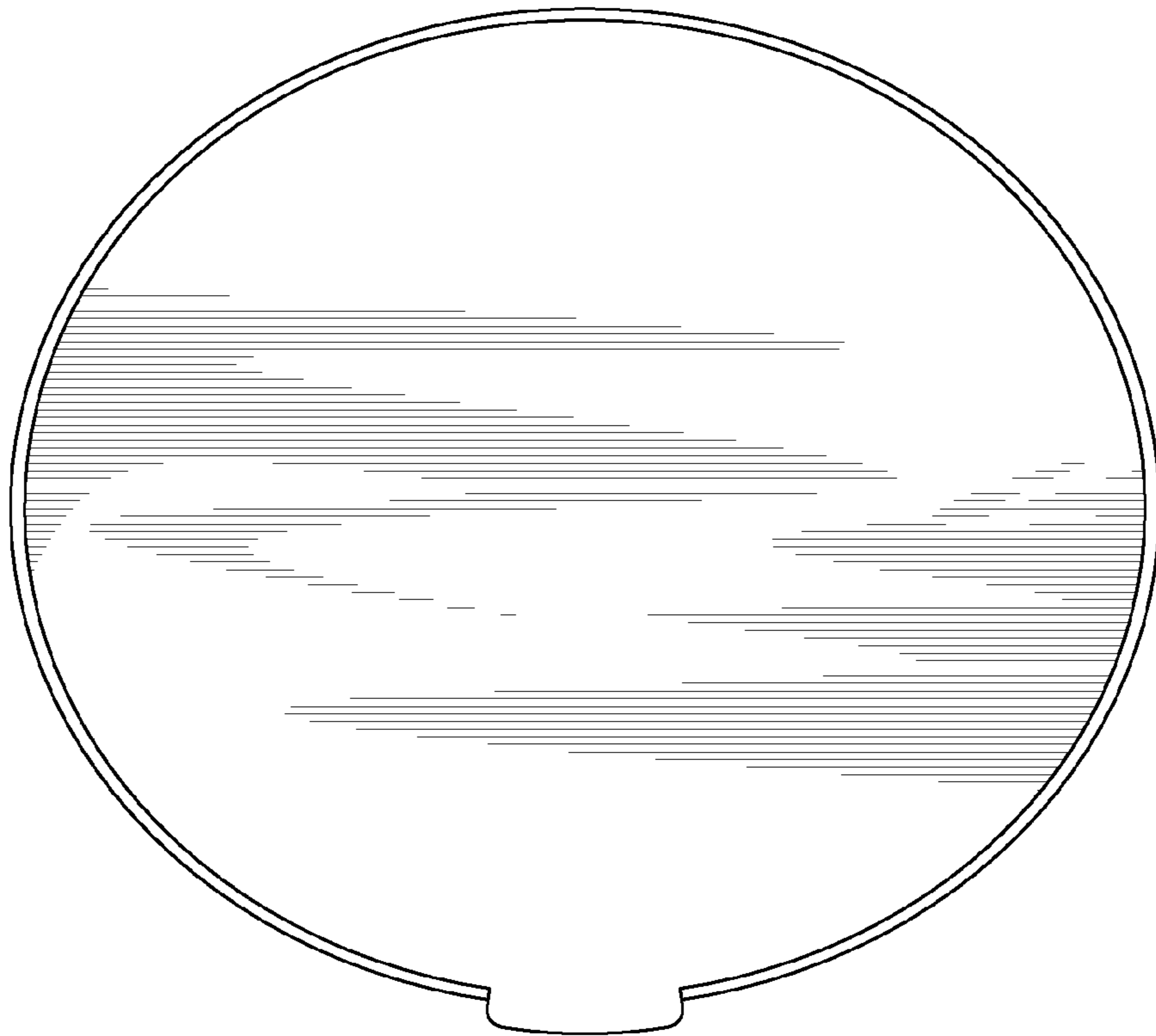


FIG. 7

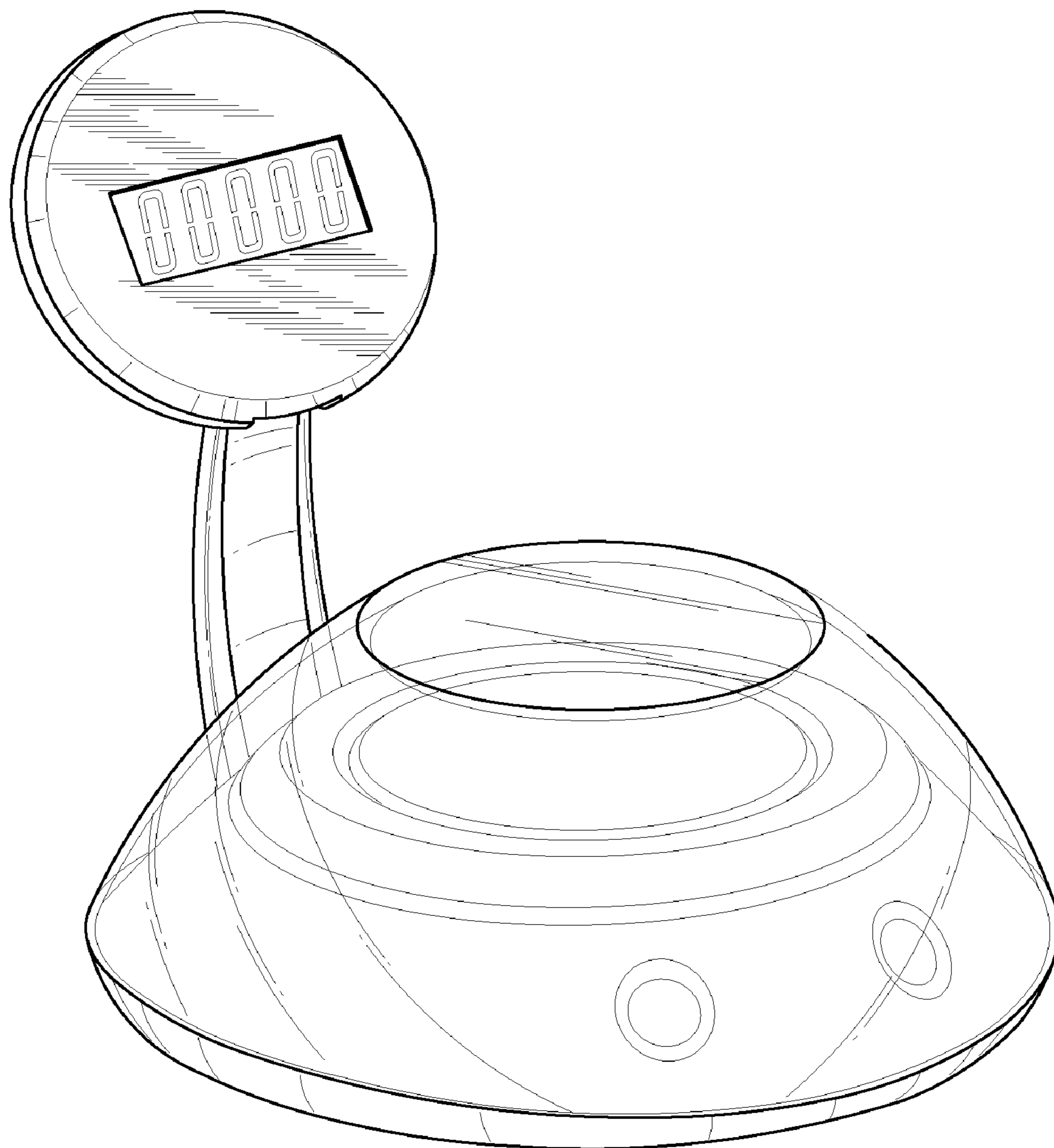


FIG. 8

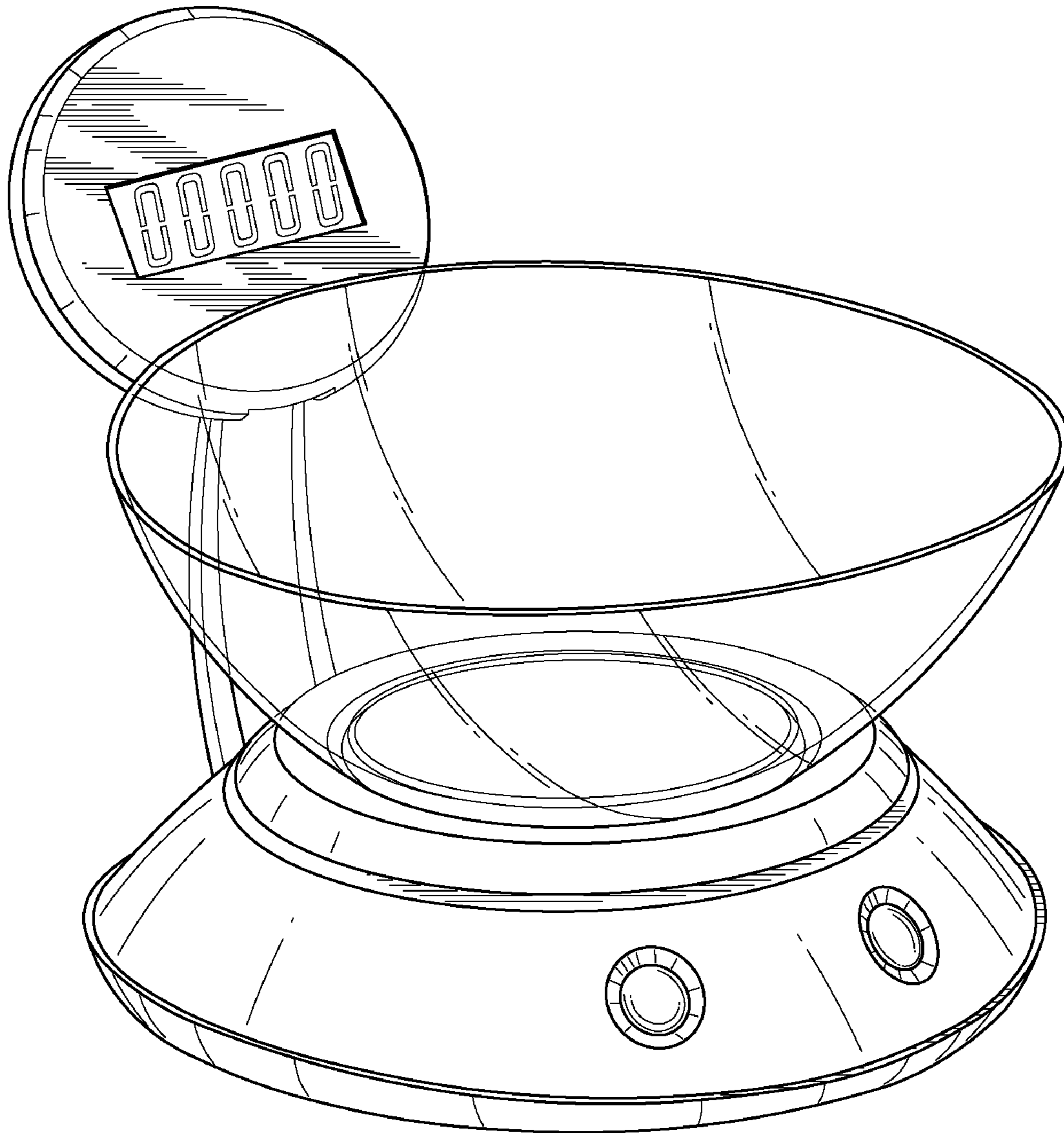


FIG. 9



FIG. 10