



US00D567124S

(12) **United States Design Patent**
Nelson et al.

(10) **Patent No.:** US D567,124 S
(45) **Date of Patent:** ** Apr. 22, 2008

(54) **FRONT PANEL FOR MEASUREMENT INSTRUMENTS**

(75) Inventors: **Michael D. Nelson**, Seattle, WA (US);
David K. Orr, Seattle, WA (US)

(73) Assignee: **Tektronix, Inc.**, Beaverton, OR (US)

(**) Term: **14 Years**

(21) Appl. No.: **29/276,752**

(22) Filed: **Feb. 2, 2007**

(51) **LOC (8) Cl.** **10-04**

(52) **U.S. Cl.** **D10/80; D10/103**

(58) **Field of Classification Search** 324/156,
324/157, 131, 132, 116, 72.5, 107, 110, 114,
324/115, 142, 127, 151 A, 151 R; 329/110,
329/155, 156; 337/112, 327, 360; 340/653,
340/660; 379/21; 439/482; D24/185-186,
D24/232-234; D10/80, 102-103; D14/432,
D14/440, 441; 24/280; 73/431; 116/334,
116/DIG. 47; 220/214; 236/46 R, 47, 94;
292/37 R, 256.67; 301/666, 669

See application file for complete search history.

(56) **References Cited**

U.S. PATENT DOCUMENTS

D332,833 S *	1/1993	Lauks et al.	D10/78
D420,607 S *	2/2000	Wrisley et al.	D10/80
6,140,812 A *	10/2000	Russell et al.	324/156
6,731,104 B1 *	5/2004	Yang	324/110
D508,426 S *	8/2005	Wrisley	D10/76
6,982,550 B2 *	1/2006	Cannon	324/72.5

* cited by examiner

Primary Examiner—Antoine D. Davis

(74) *Attorney, Agent, or Firm*—William K. Bucher

(57) **CLAIM**

The ornamental design of a front panel for measurement instruments, as shown and described.

DESCRIPTION

The ornamental design disclosed in this application is for various embodiments of a front panel for measurement instruments, such as oscilloscopes, logic analyzers, waveform generators, and the like.

FIG. 1 is a perspective view of a first embodiment of front panel for measurement instruments;

FIG. 2 is a front elevation view of the first embodiment of front panel for measurement instruments;

FIG. 3 is a left side elevation view of the first embodiment of front panel for measurement instruments;

FIG. 4 is a right side elevation view of the first embodiment of front panel for measurement instruments;

FIG. 5 is a top plan view of the first embodiment of front panel for measurement instruments;

FIG. 6 is a bottom plan view of the first embodiment of front panel for measurement instruments;

FIG. 7 is a perspective view of a second embodiment of front panel for measurement instruments;

FIG. 8 is a front elevation view of the second embodiment of front panel for measurement instruments;

FIG. 9 is a left side elevation view of the second embodiment of front panel for measurement instruments;

FIG. 10 is a right side elevation view of the second embodiment of front panel for measurement instruments;

FIG. 11 is a top plan view of the second embodiment of front panel for measurement instruments;

FIG. 12 is a bottom plan view of the second embodiment of front panel for measurement instruments;

FIG. 13 is a perspective view of a third embodiment of front panel for measurement instruments;

FIG. 14 is a front elevation view of the third embodiment of front panel for measurement instruments;

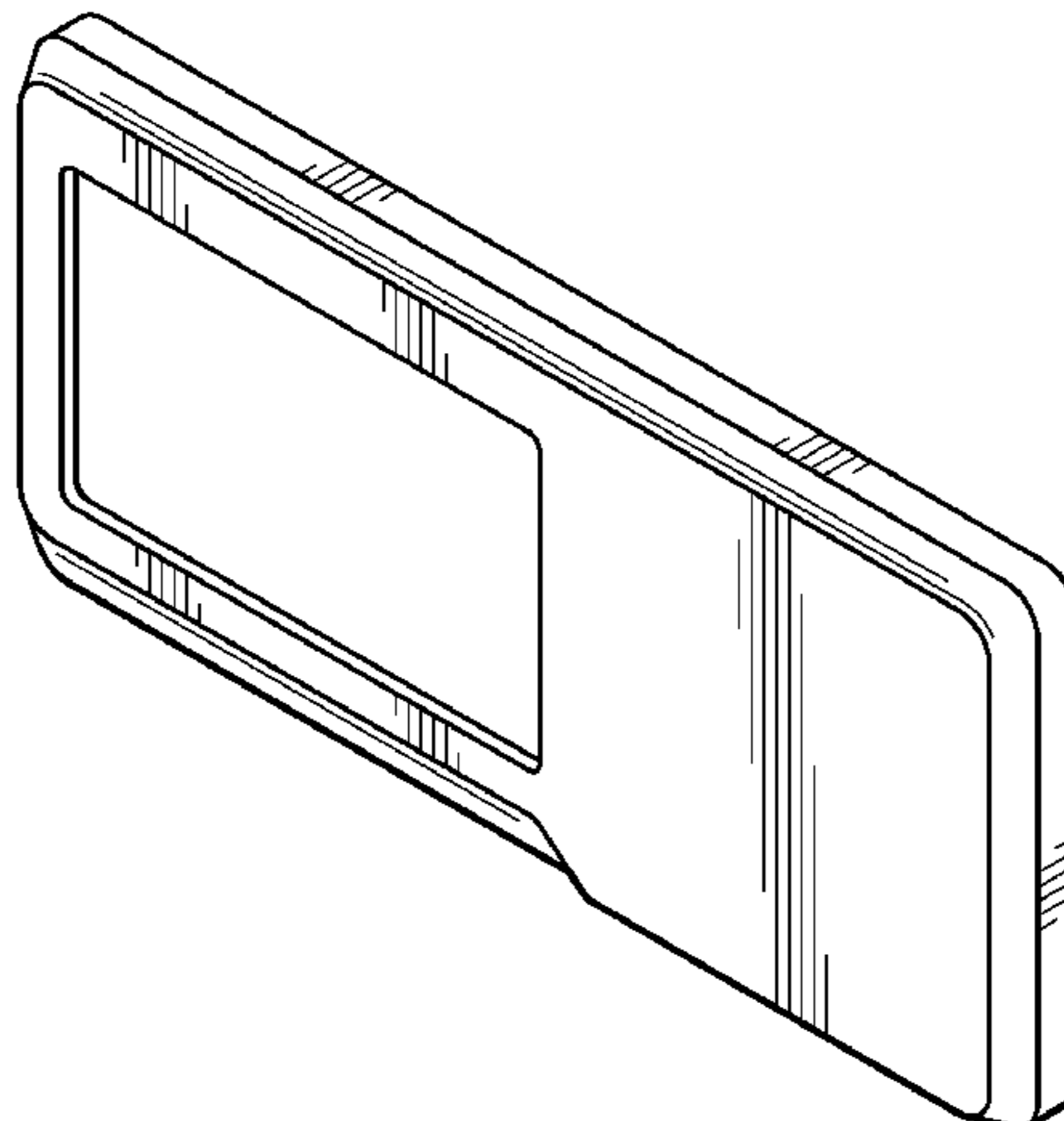


FIG. **15** is a left side elevation view of the third embodiment of front panel for measurement instruments;

FIG. **16** is a right side elevation view of the third embodiment of front panel for measurement instruments;

FIG. **17** is a top plan view of the third embodiment of front panel for measurement instruments; and,

FIG. **18** is a bottom plan view of third embodiment of front panel for measurement instruments.

The front panel has a substantially rectangular front face with a substantially rectangular opening disposed in a por-

tion thereof, first beveled surfaces extending from side and top surfaces and from a first portion of a bottom surface to the rectangular front face, and a second beveled surface extending from a second portion of the bottom surface to the rectangular front face with the second beveled surface laterally transitioning from the first beveled surface.

1 Claim, 6 Drawing Sheets

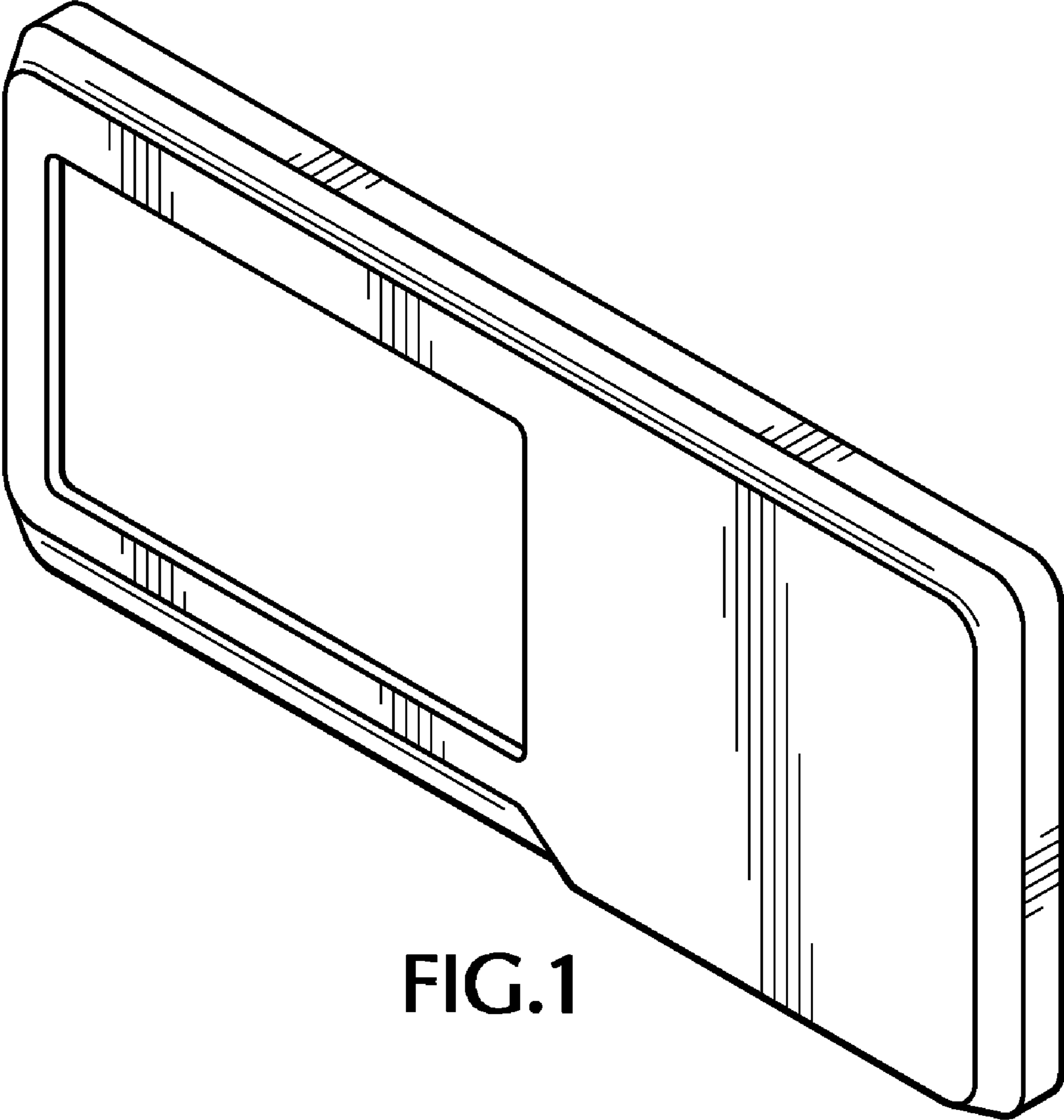


FIG.1



FIG. 5

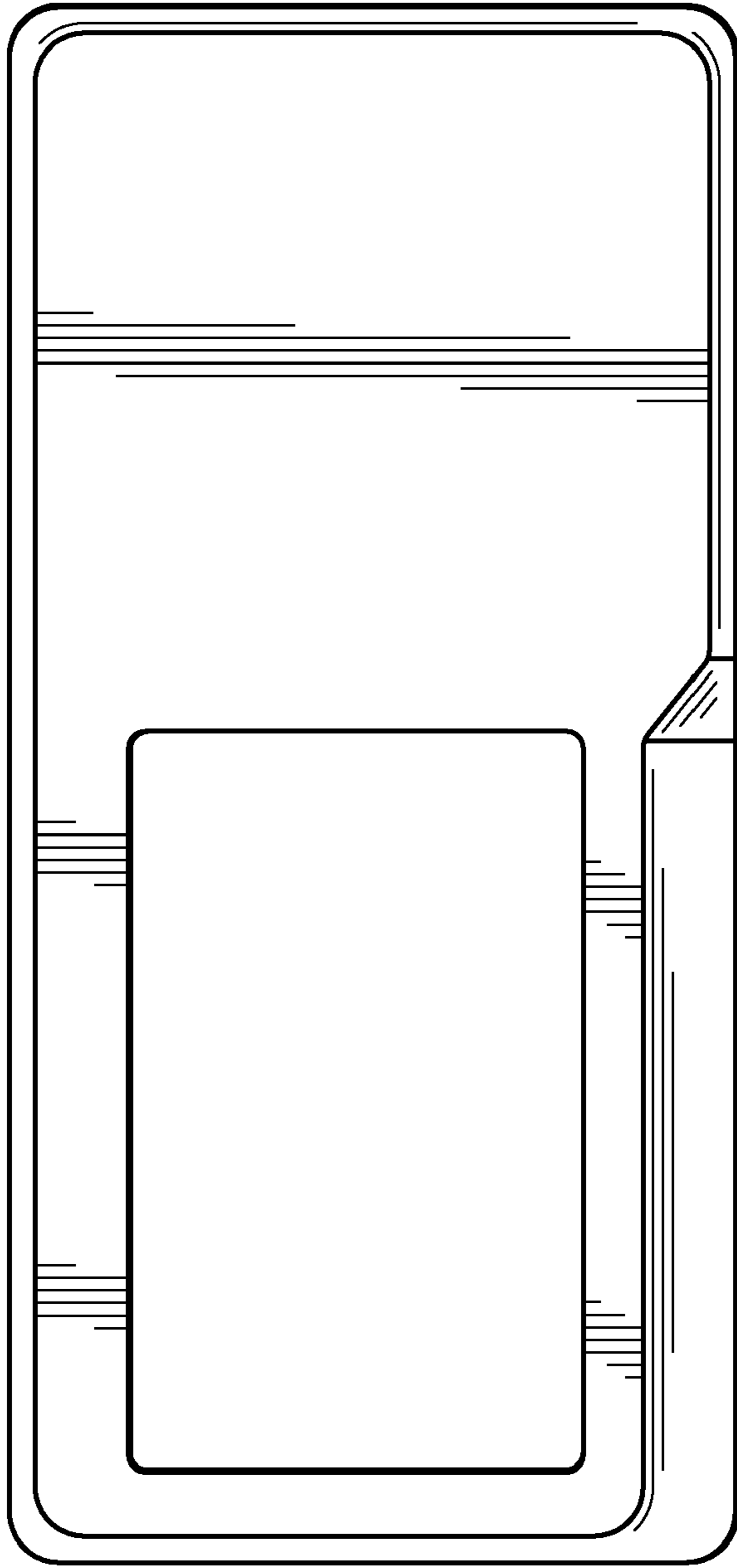


FIG. 2

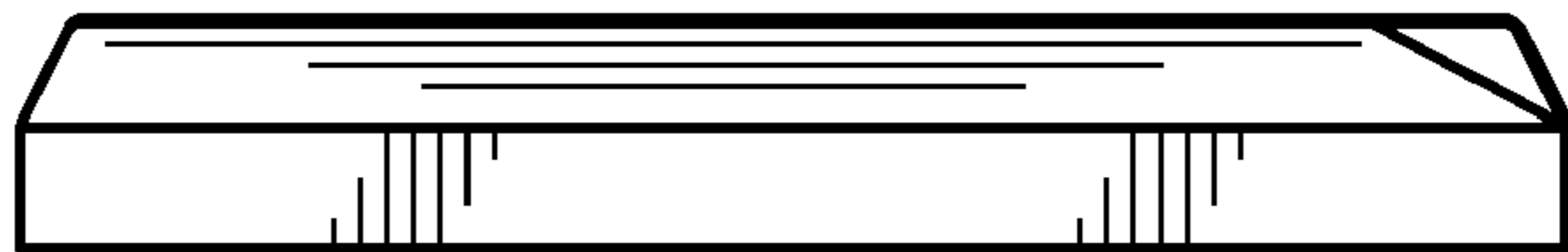


FIG. 3

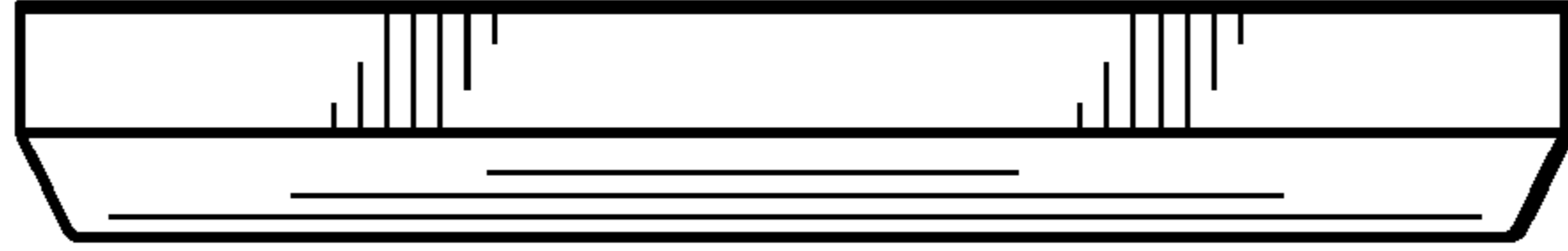


FIG. 4

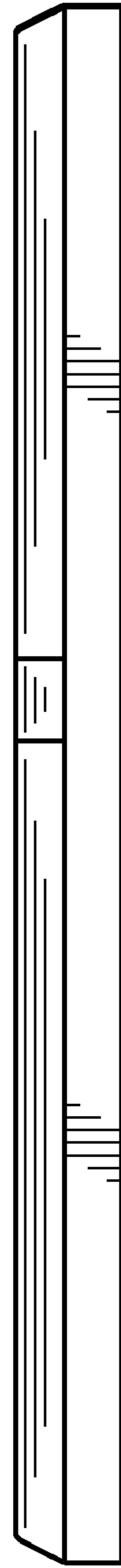


FIG. 6

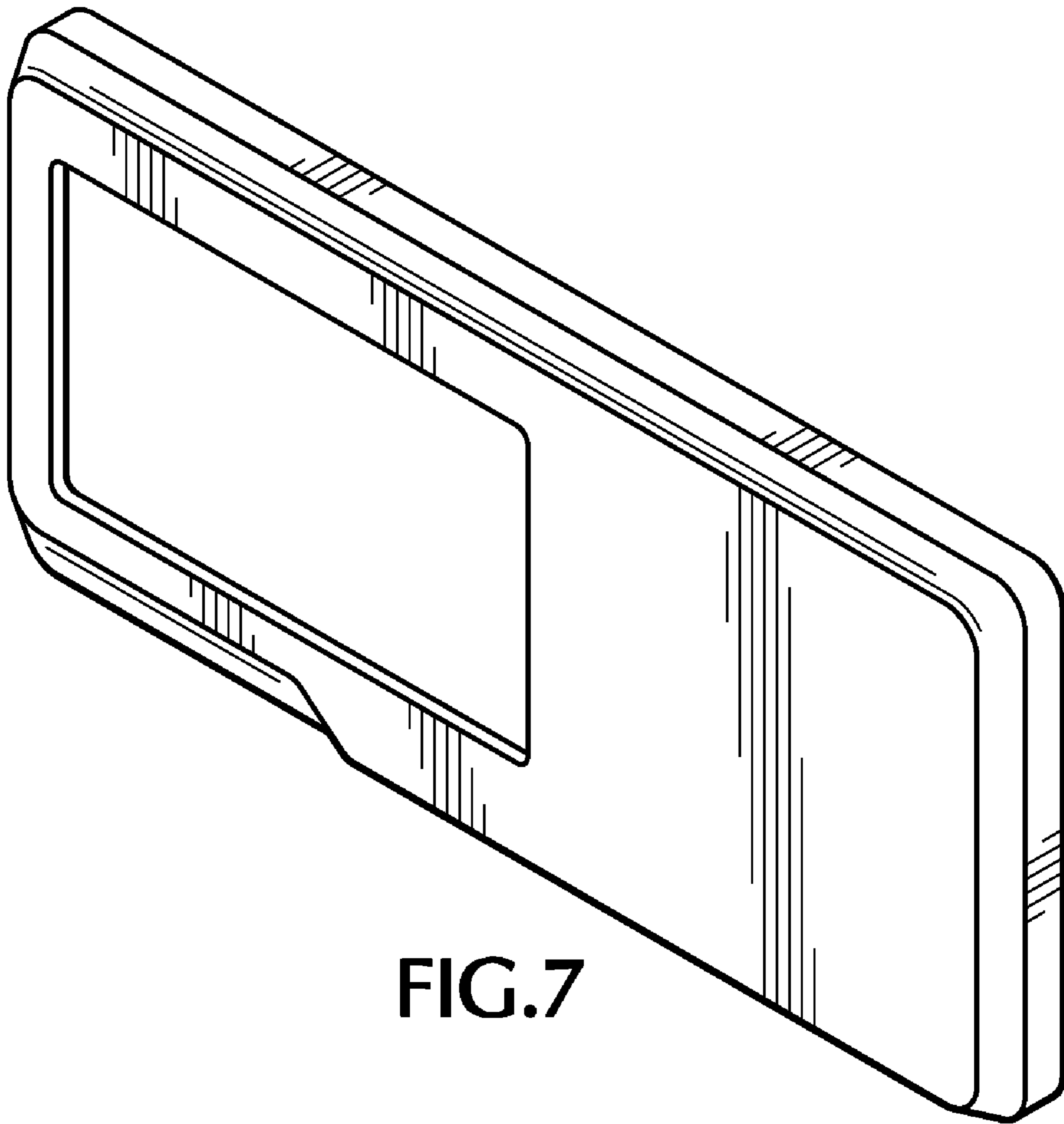


FIG. 7



FIG. 11

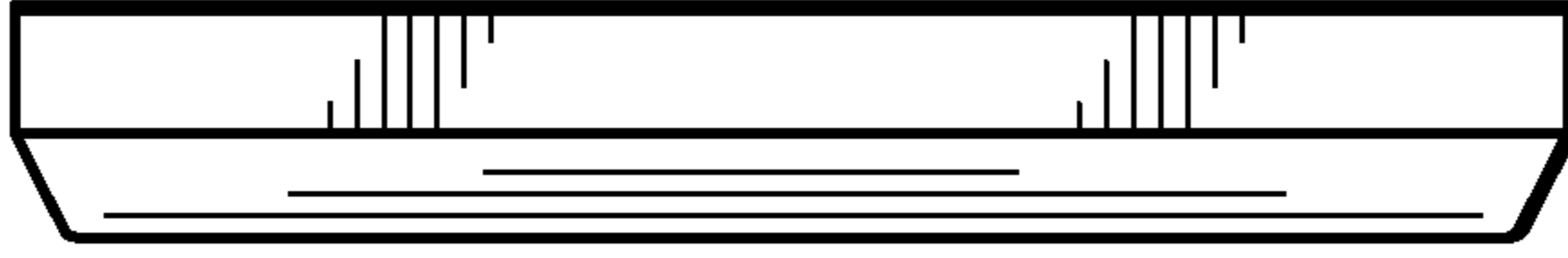


FIG. 10

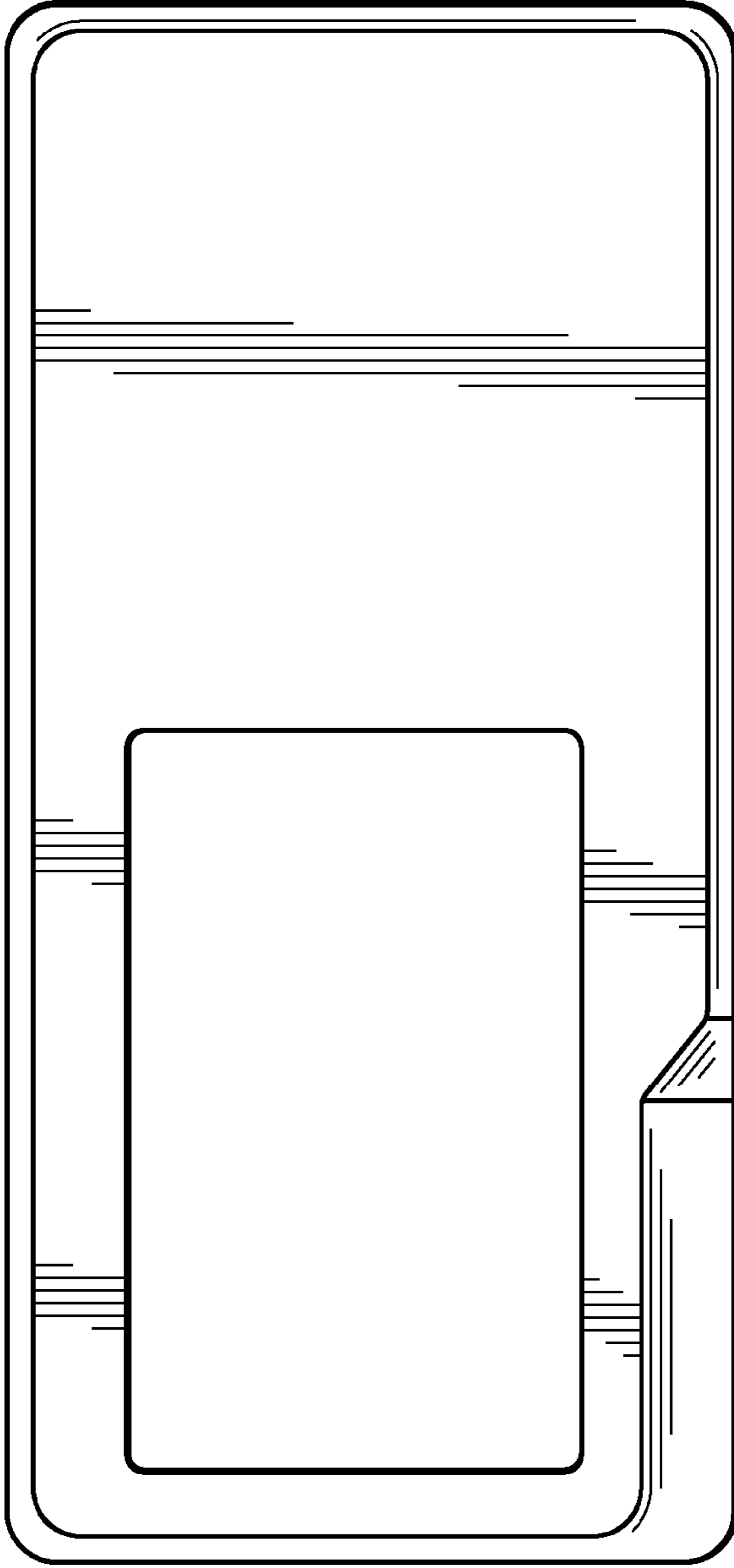


FIG. 8

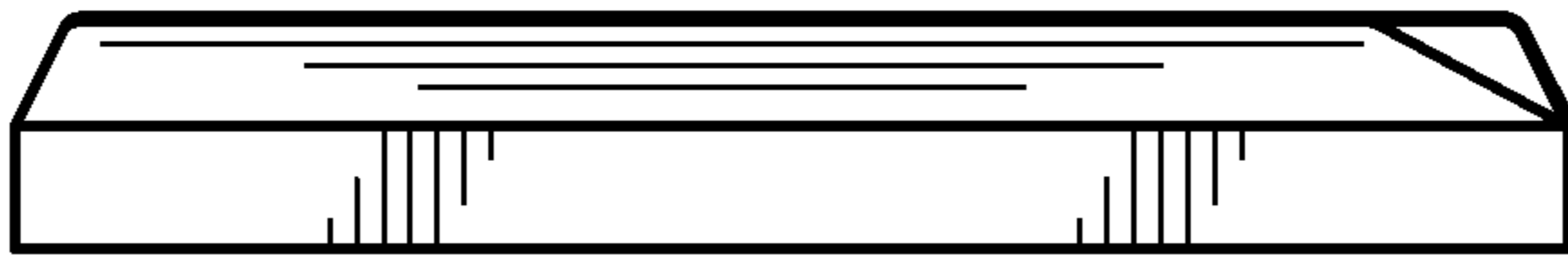


FIG. 9

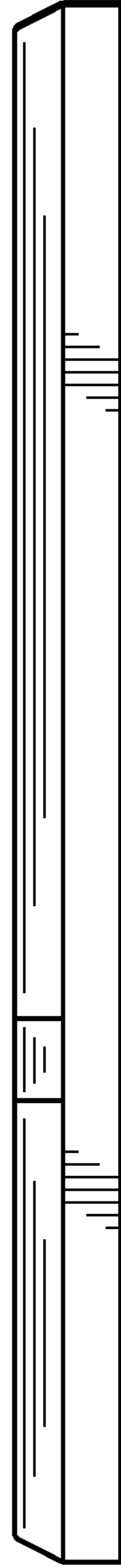


FIG. 12

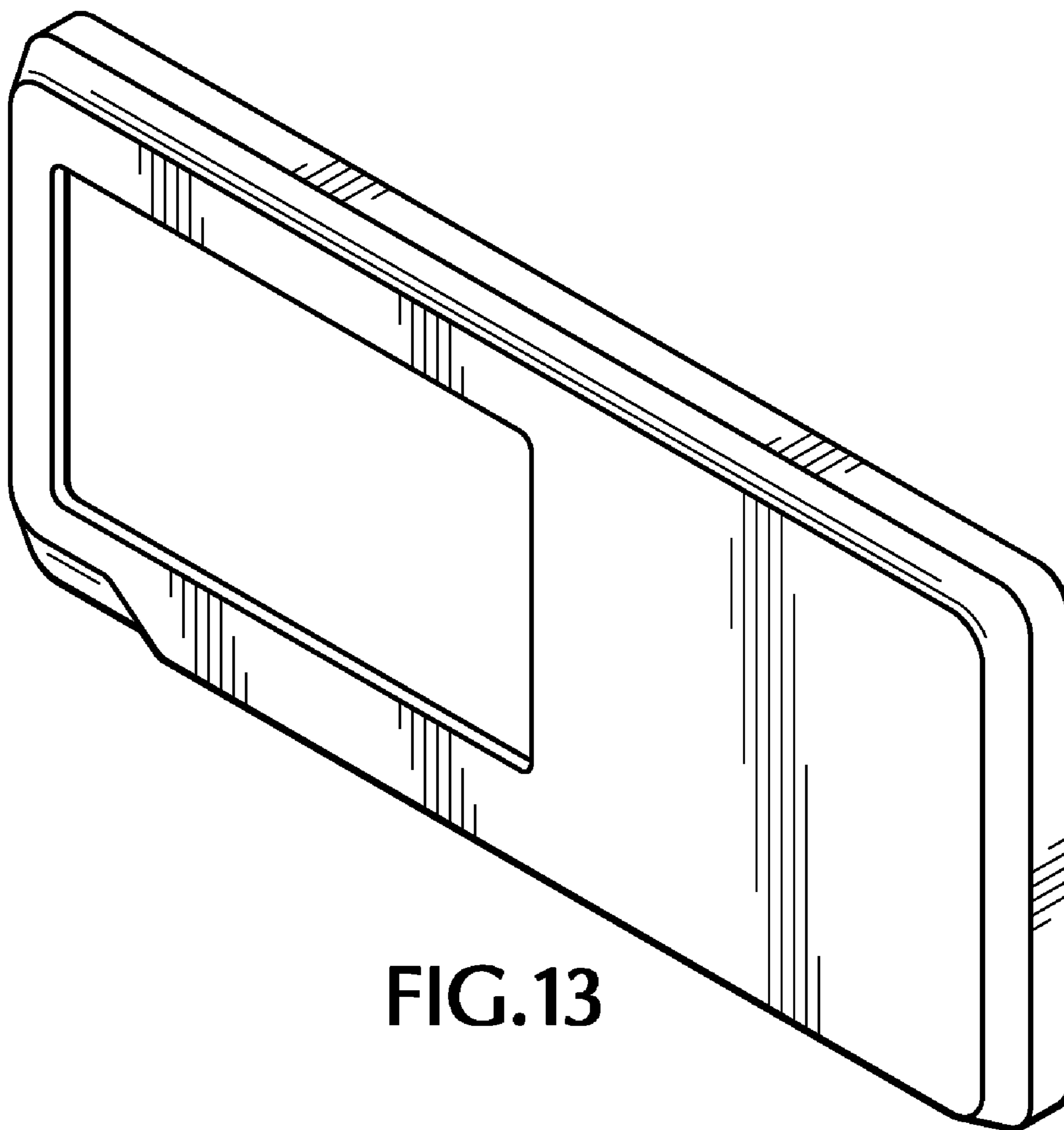


FIG.13

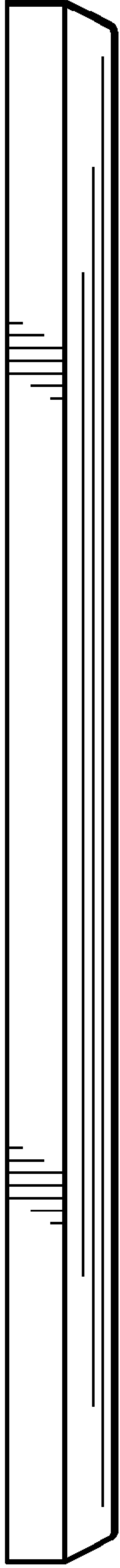


FIG. 17

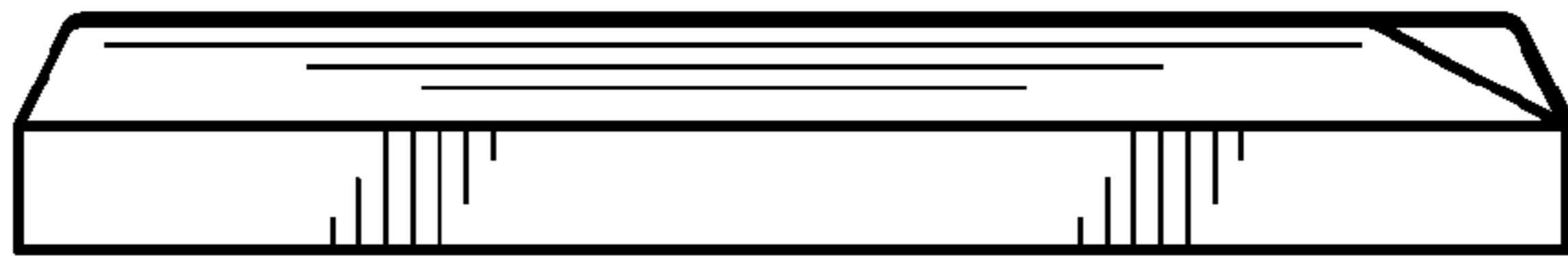


FIG. 15

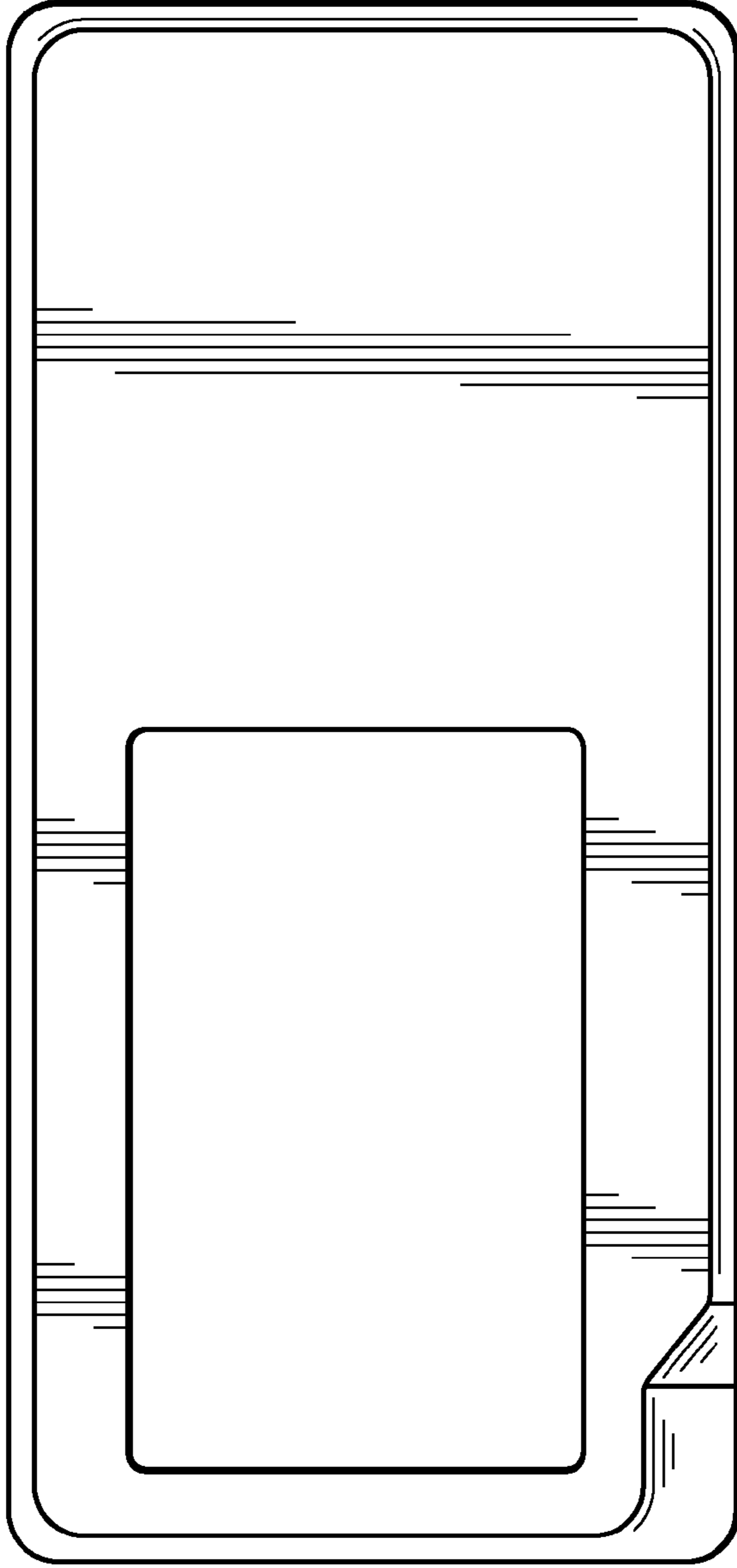


FIG. 14

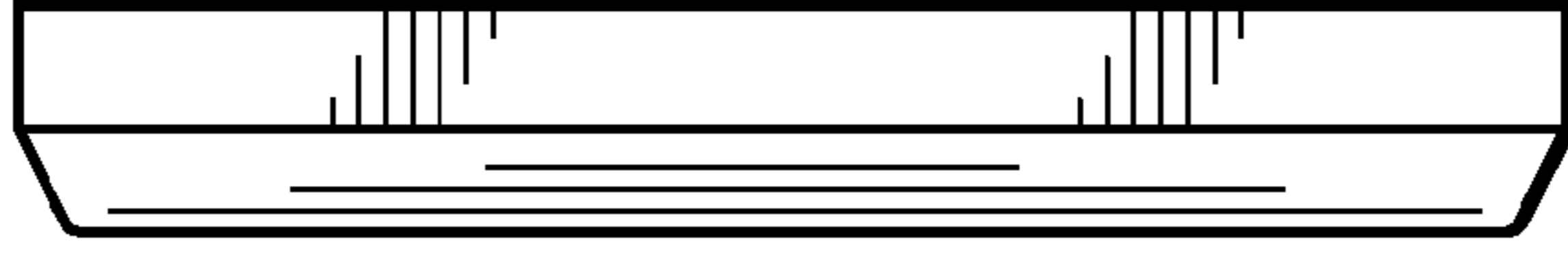


FIG. 16



FIG. 18