

US00D567123S

(12) **United States Design Patent**
Babb et al.

(10) **Patent No.:** **US D567,123 S**
(45) **Date of Patent:** **** Apr. 22, 2008**

(54) **REMOTE VISUAL INSPECTION DEVICE**

(75) Inventors: **Larry F. Babb**, Grafton, OH (US); **Jon R. Dunkin**, Elyria, OH (US); **Scott Aiello**, Avon Lake, OH (US)

(73) Assignee: **Emerson Electric Co.**, St. Louis, MO (US)

(**) Term: **14 Years**

(21) Appl. No.: **29/279,228**

(22) Filed: **Apr. 24, 2007**

(51) **LOC (8) Cl.** **10-04**

(52) **U.S. Cl.** **D10/78; D10/104**

(58) **Field of Classification Search** D10/78,
D10/104; D14/125–126; D16/202; 250/330,
250/336.1, 338.1, 339.03, 395; 348/65–68,
348/77, 141; 362/1, 109, 294, 373, 399;
713/176

See application file for complete search history.

(56) **References Cited**

U.S. PATENT DOCUMENTS

D464,666 S *	10/2002	Salapow et al.	D16/206
7,250,603 B1 *	7/2007	Nugent	250/330
2006/0133089 A1 *	6/2006	Reid et al.	362/294

* cited by examiner

Primary Examiner—Antoine D. Davis

(57) **CLAIM**

The ornamental design for a remote visual inspection device, as shown and described.

DESCRIPTION

FIG. 1 is a front perspective view of a remote visual inspection device shown in a condition where its shade is in an open position and its connector is in an extended position.

The items shown in phantom lines are for illustrative purposes only and form no part of the subject invention;

FIG. 2 is a back perspective view of the remote visual inspection device as shown in FIG. 1;

FIG. 3 is a front perspective view of the remote visual inspection device shown in a condition where its shade is in a closed position and its connector is in a retracted position. The items shown in phantom lines are for illustrative purposes only and form no part of the subject invention;

FIG. 4 is a back perspective view of the remote visual inspection device as shown FIG. 3;

FIG. 5 is a front view of the remote visual inspection device as shown in FIG. 1. The items shown in phantom lines are for illustrative purposes only and form no part of the subject invention;

FIG. 6 is a front view of the remote visual inspection device as shown in FIG. 3. The items shown in phantom lines are for illustrative purposes only and form no part of the subject invention;

FIG. 7 is a right side view of the remote visual inspection device as shown FIG. 1;

FIG. 8 is a right side view of the remote visual inspection device as shown in FIG. 3;

FIG. 9 is a left side view of the remote visual inspection device as shown FIG. 1;

FIG. 10 is a left side view of the remote visual inspection device as shown in FIG. 3;

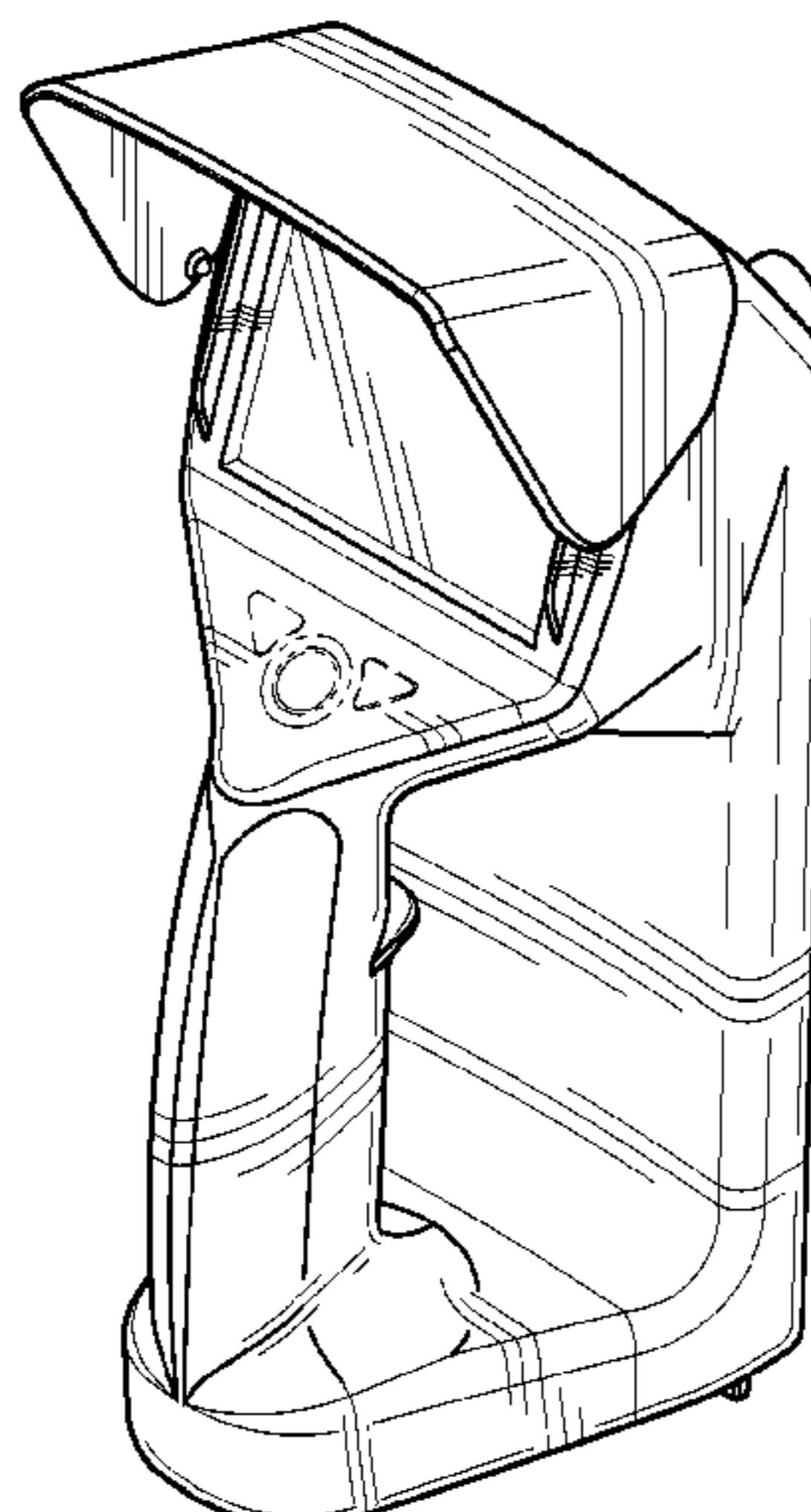
FIG. 11 is a top view of the remote visual inspection device as shown FIG. 1;

FIG. 12 is a top view of the remote visual inspection device as shown FIG. 3. The items shown in phantom lines are for illustrative purposes only and form no part of the subject invention;

FIG. 13 is a bottom view of the remote visual inspection device as shown FIG. 1; and,

FIG. 14 is a bottom view of the remote visual inspection device as shown FIG. 3.

1 Claim, 6 Drawing Sheets



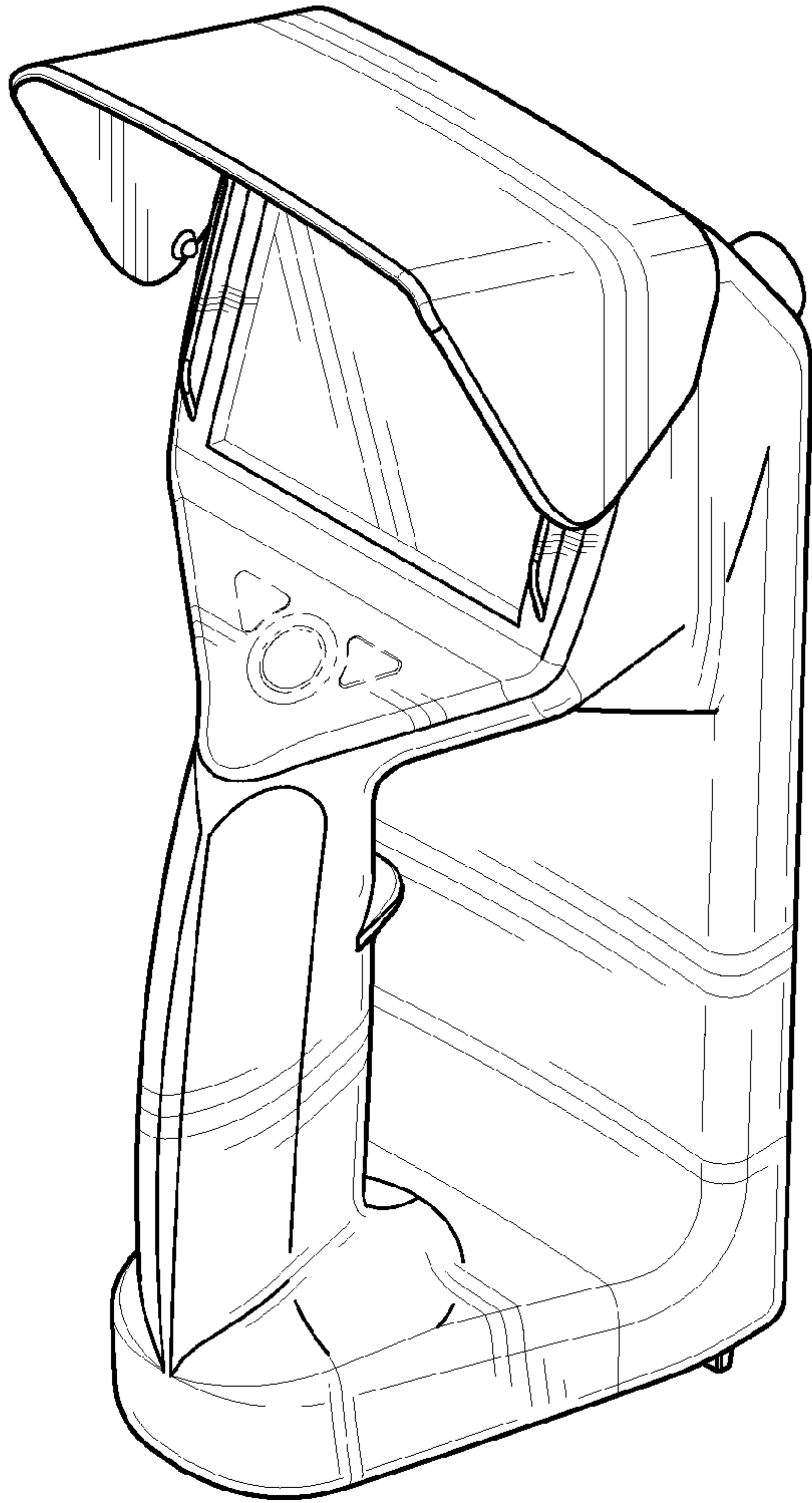


Fig-1

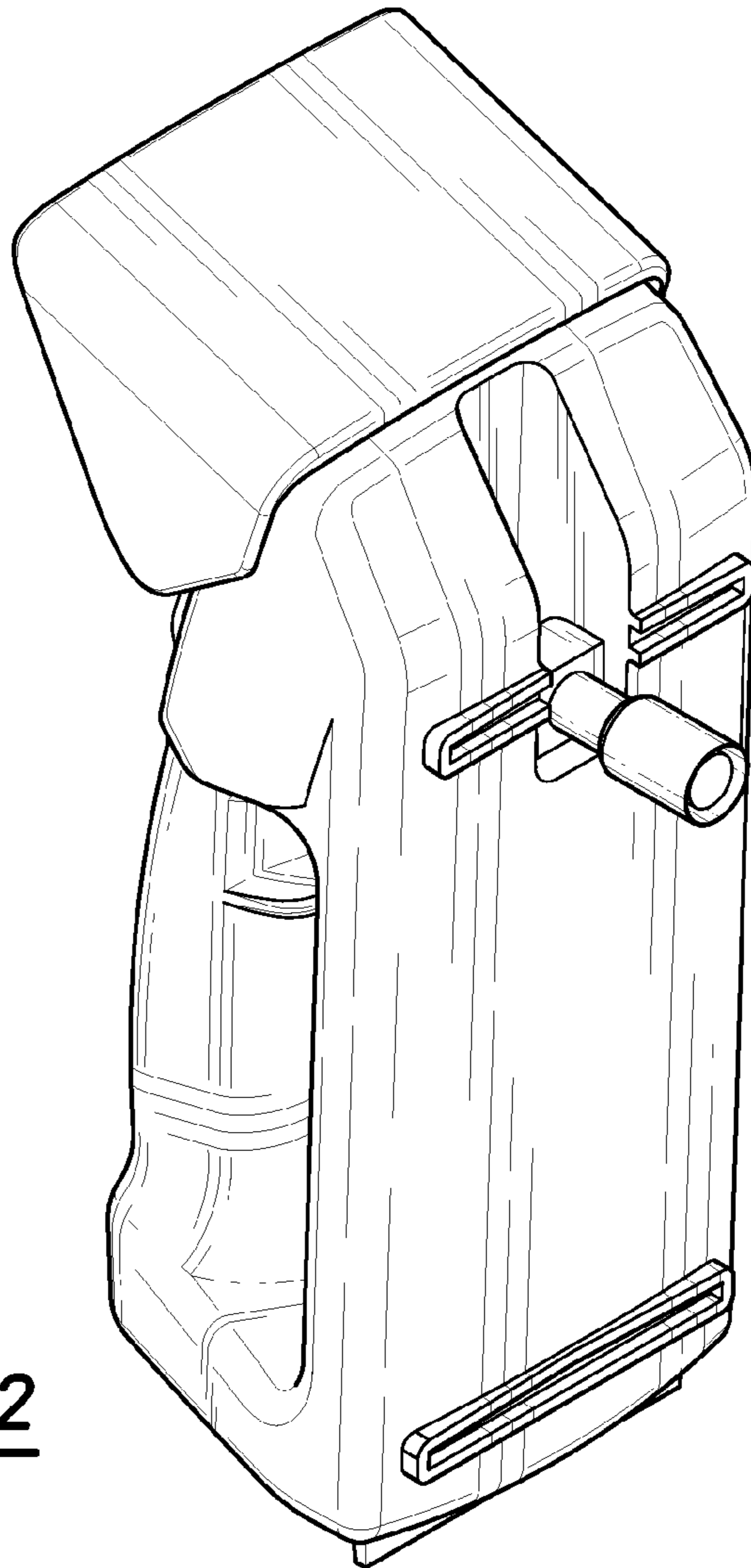


Fig-2

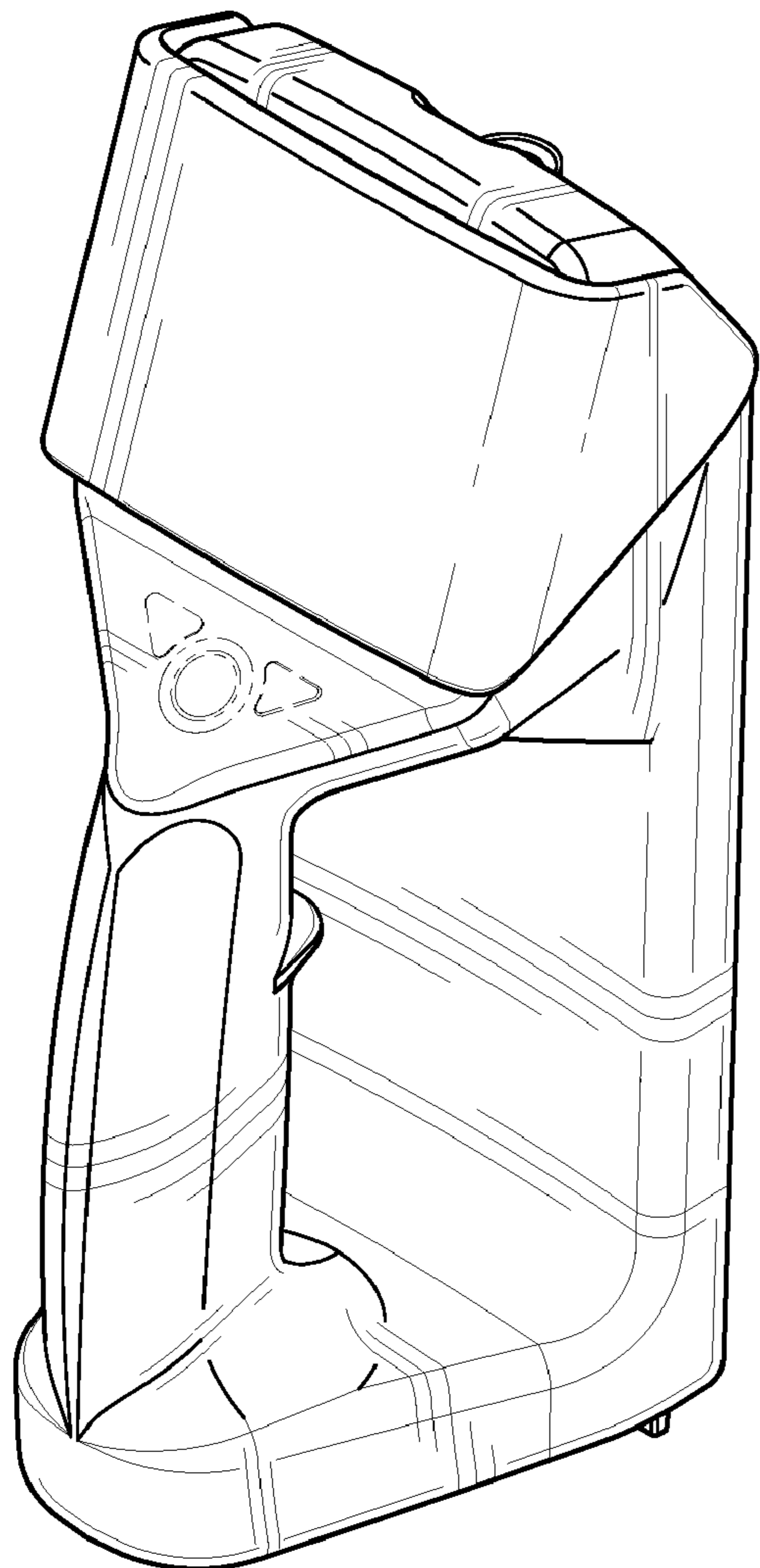


Fig-3

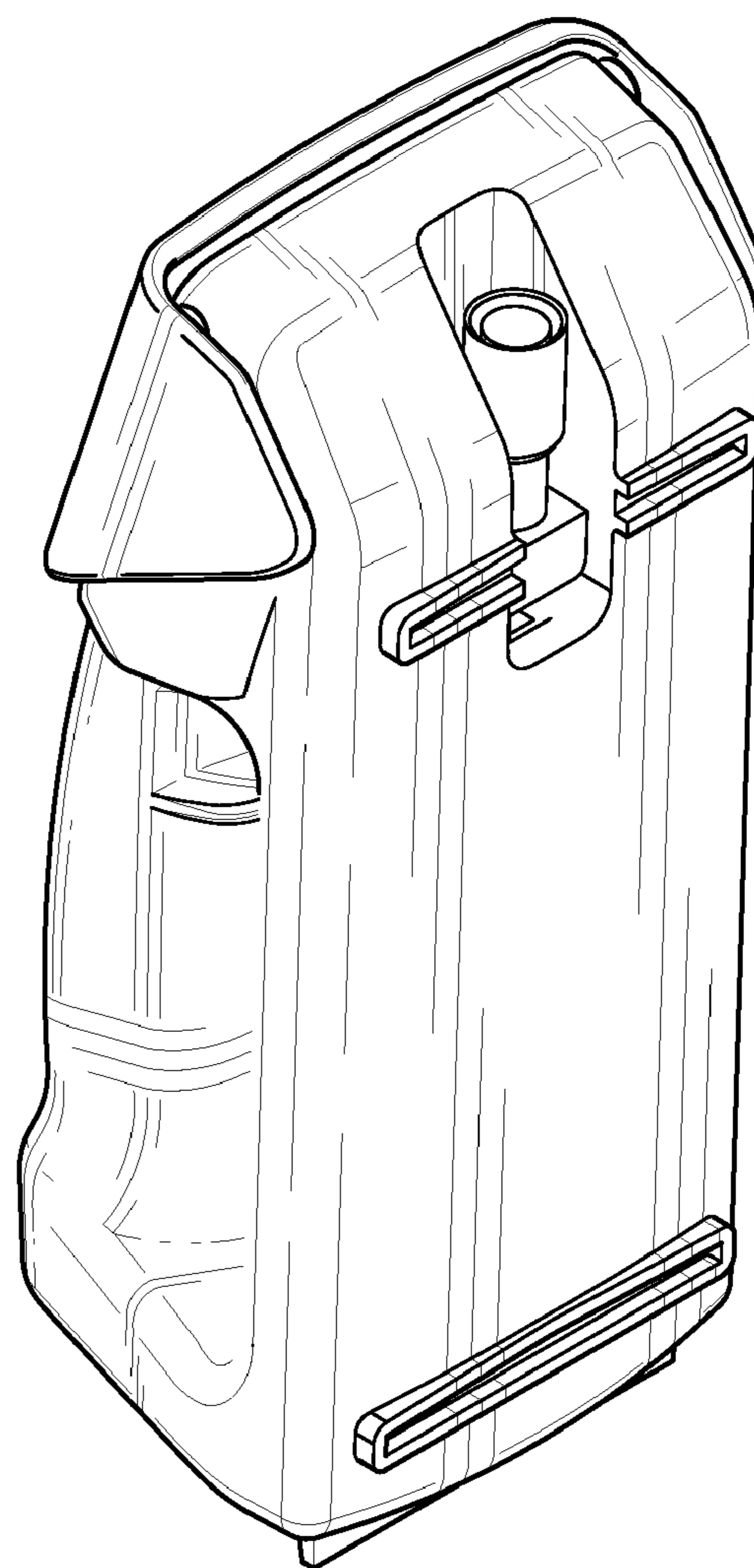


Fig-4

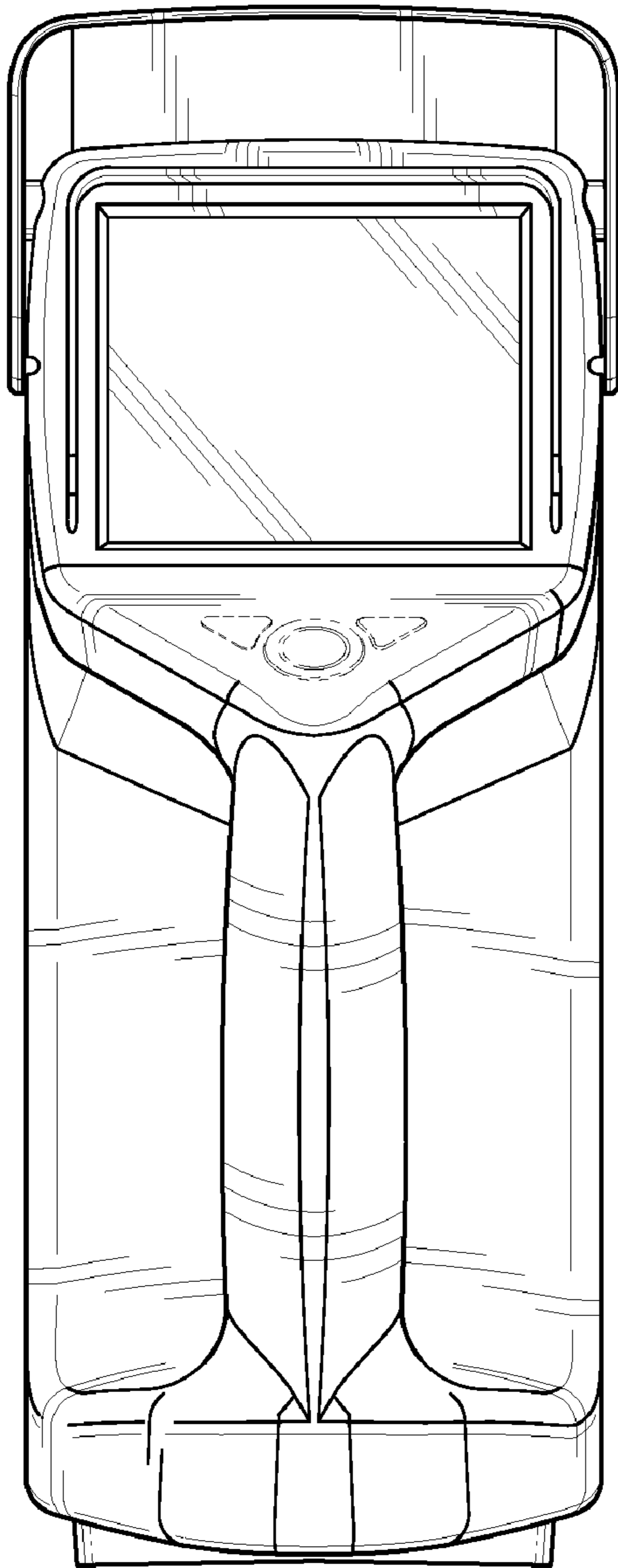


Fig-5

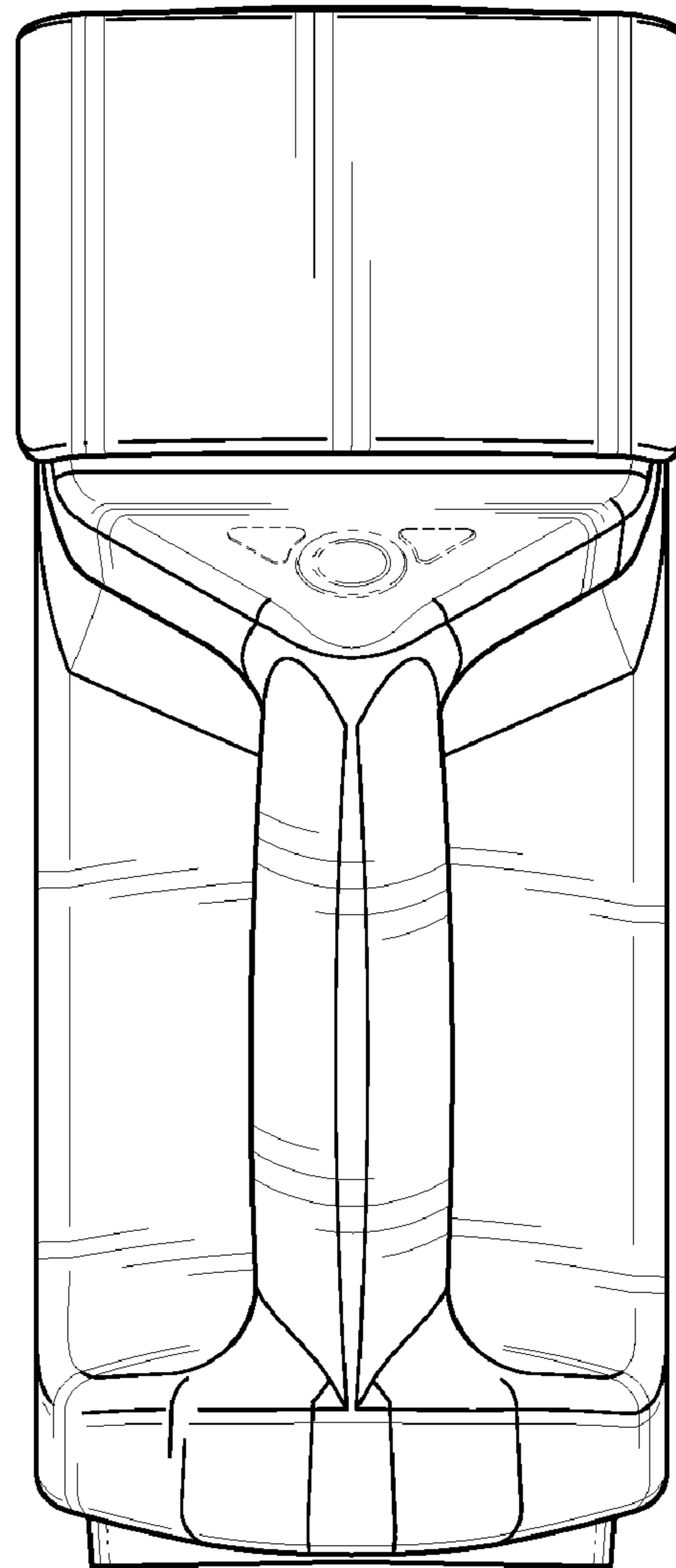


Fig-6

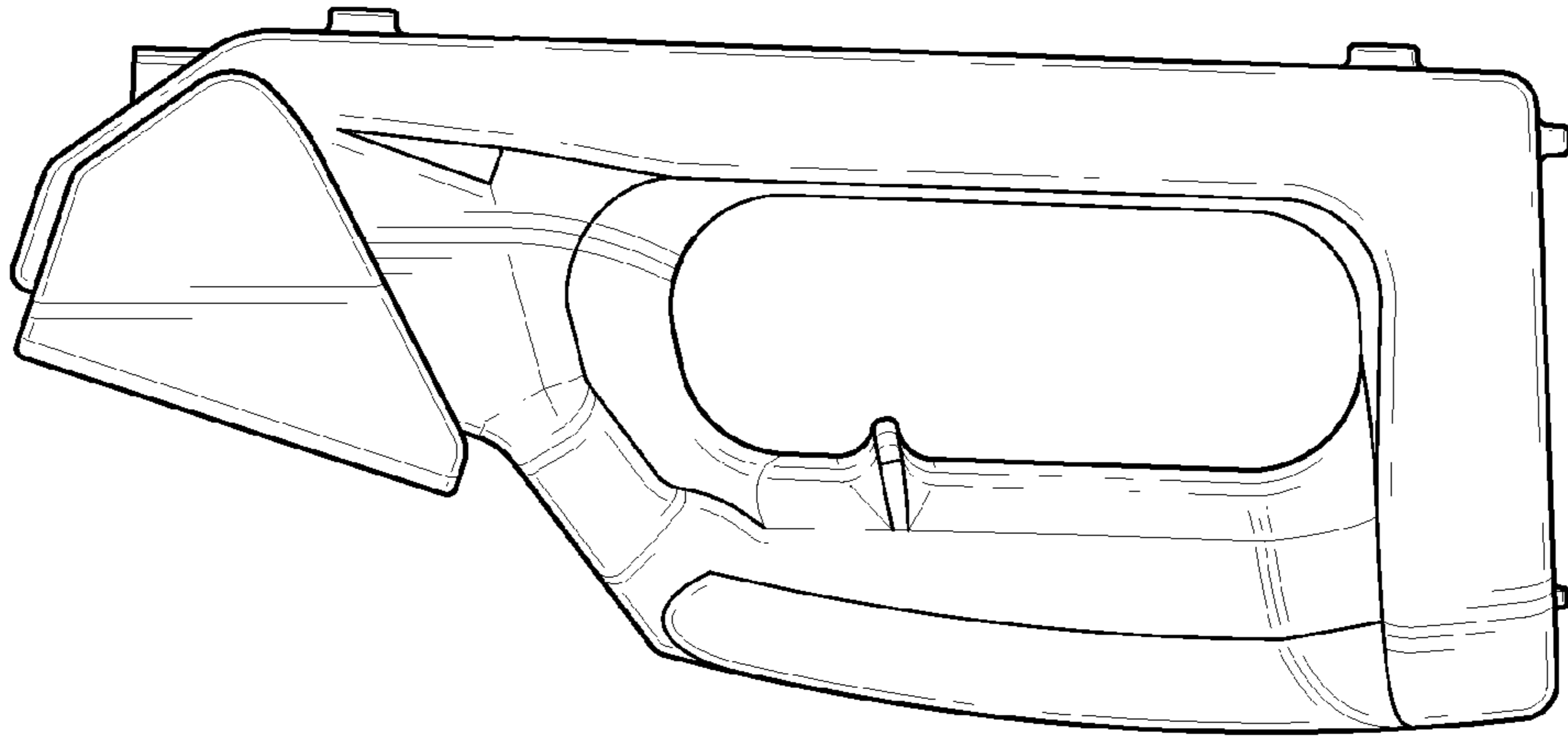


Fig-8

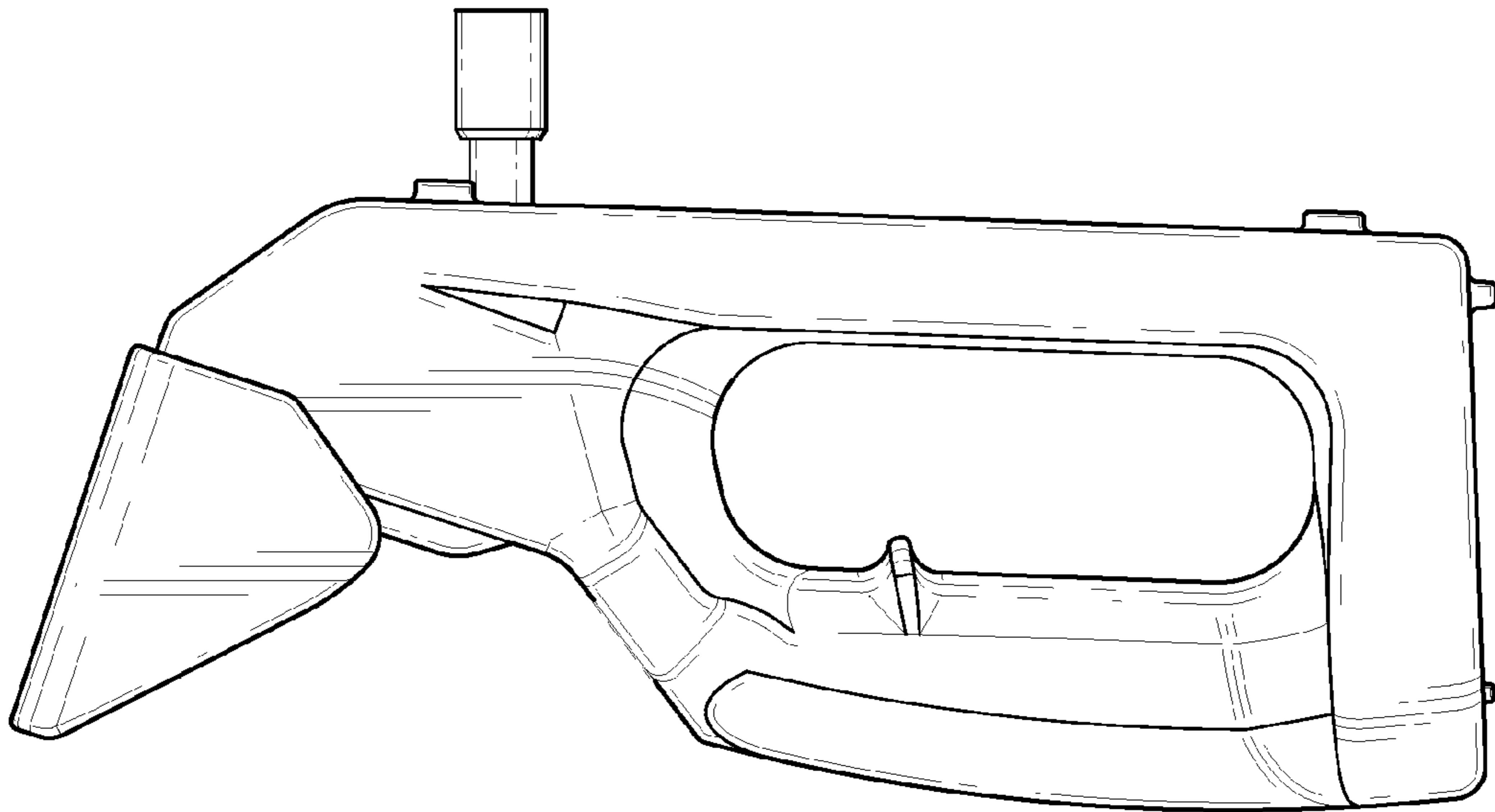


Fig-7

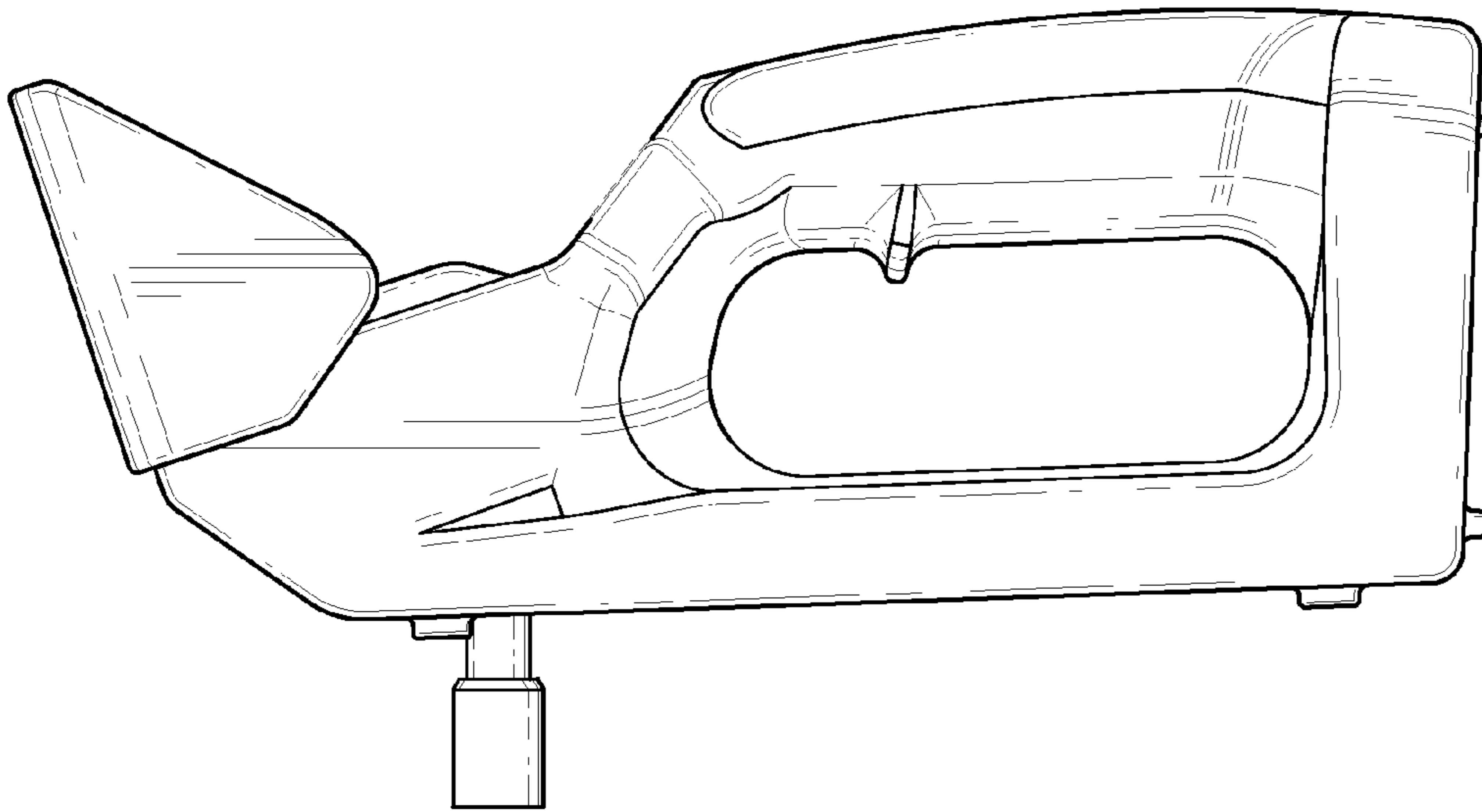


Fig-9

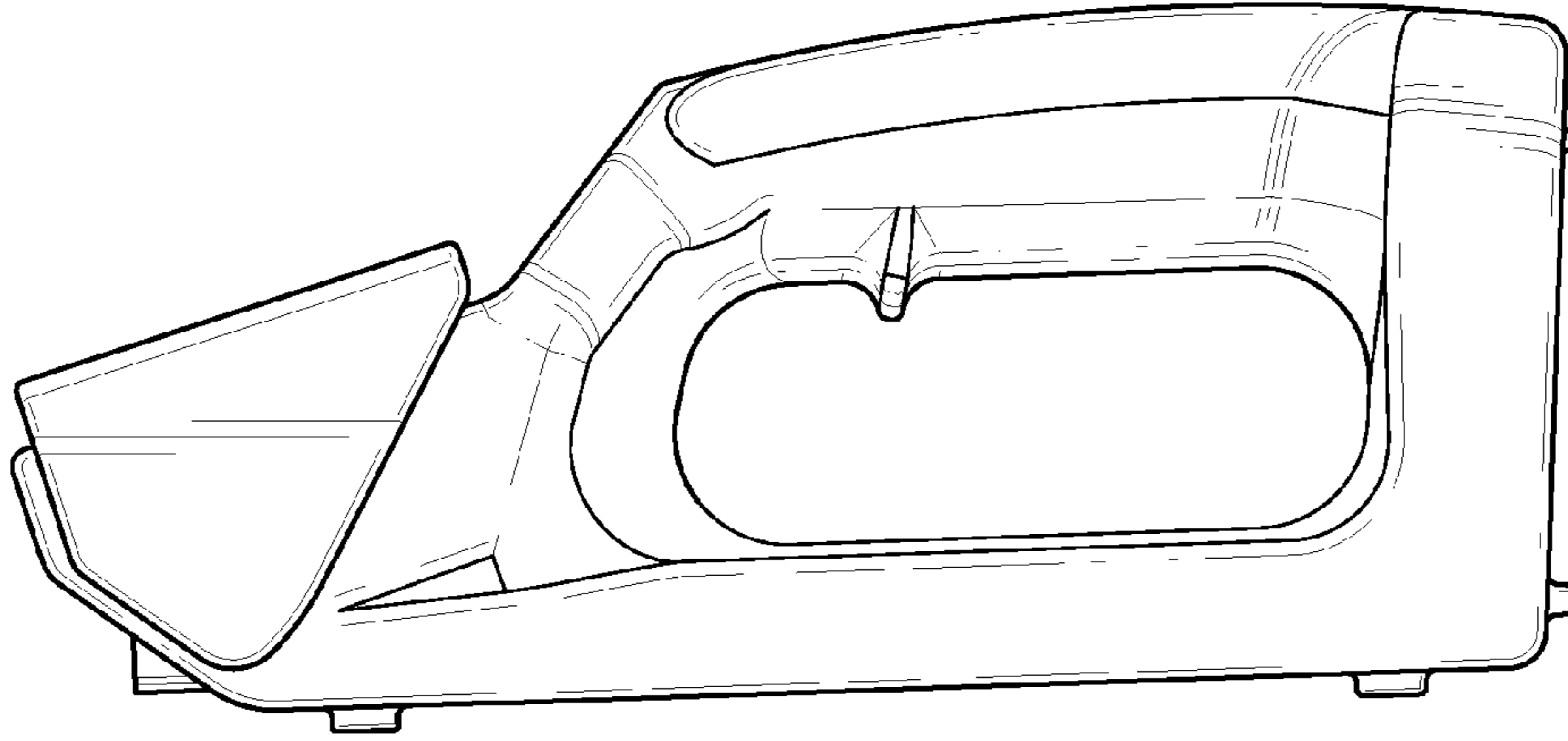


Fig-10

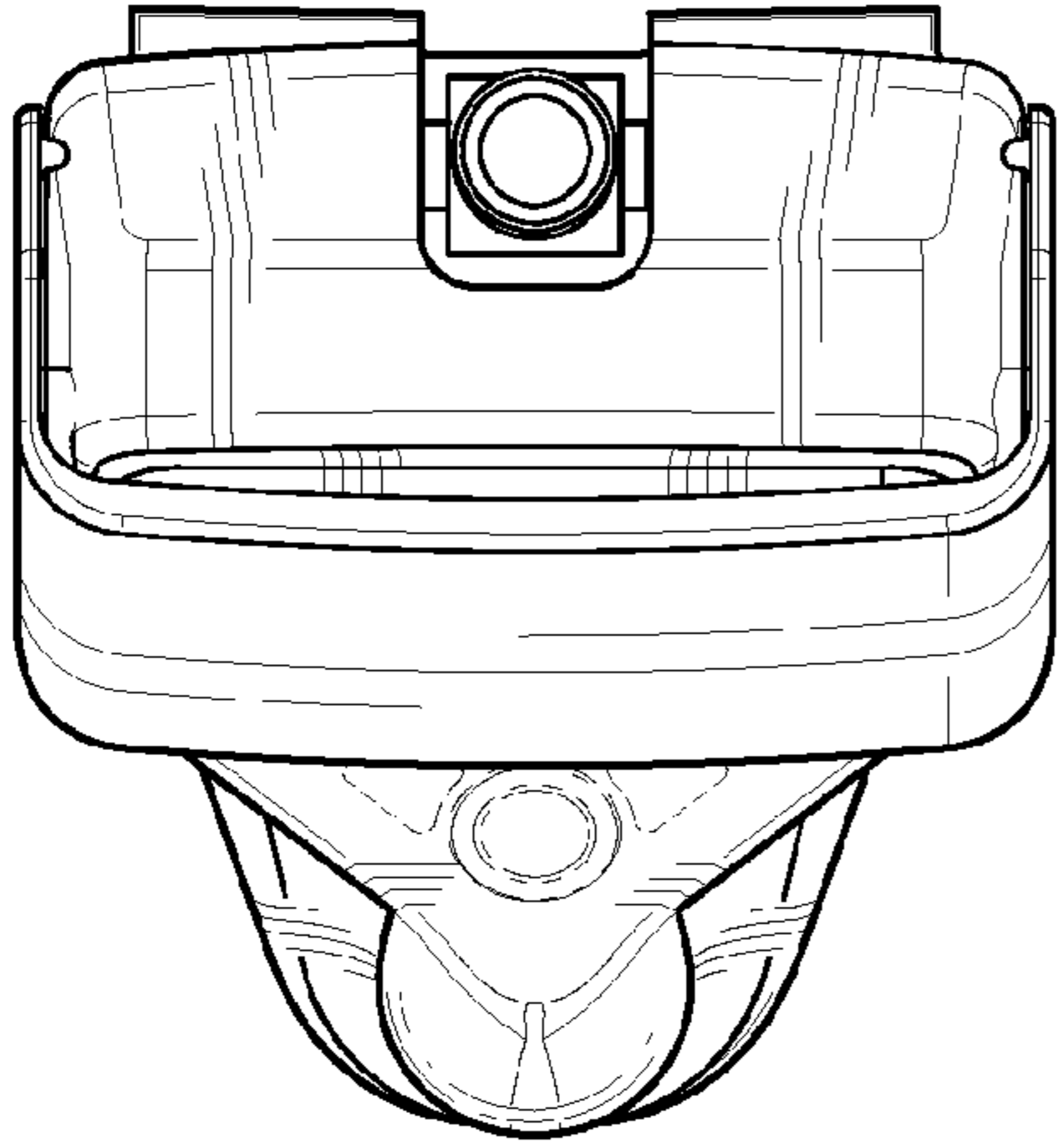


Fig-12

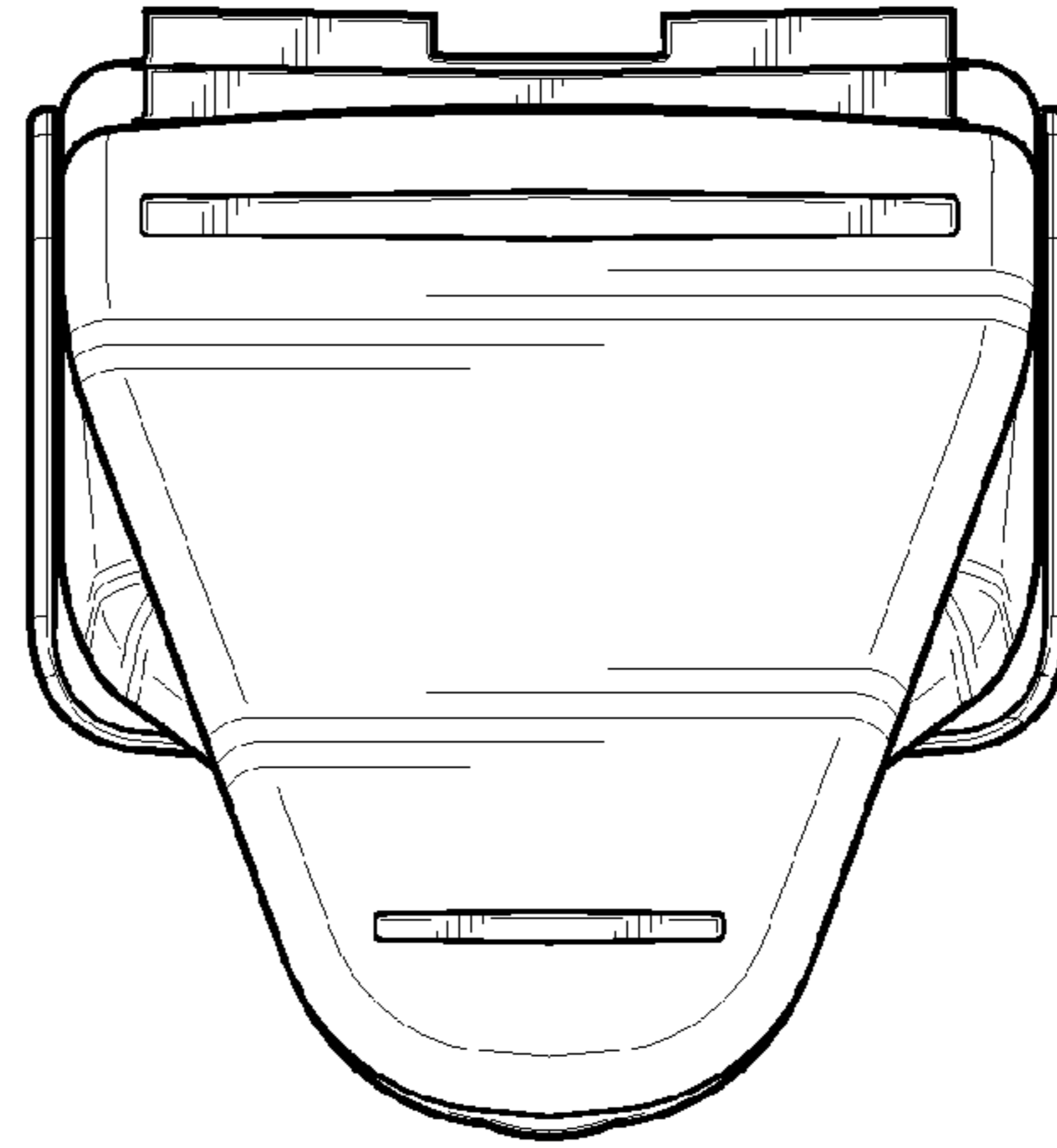


Fig-14

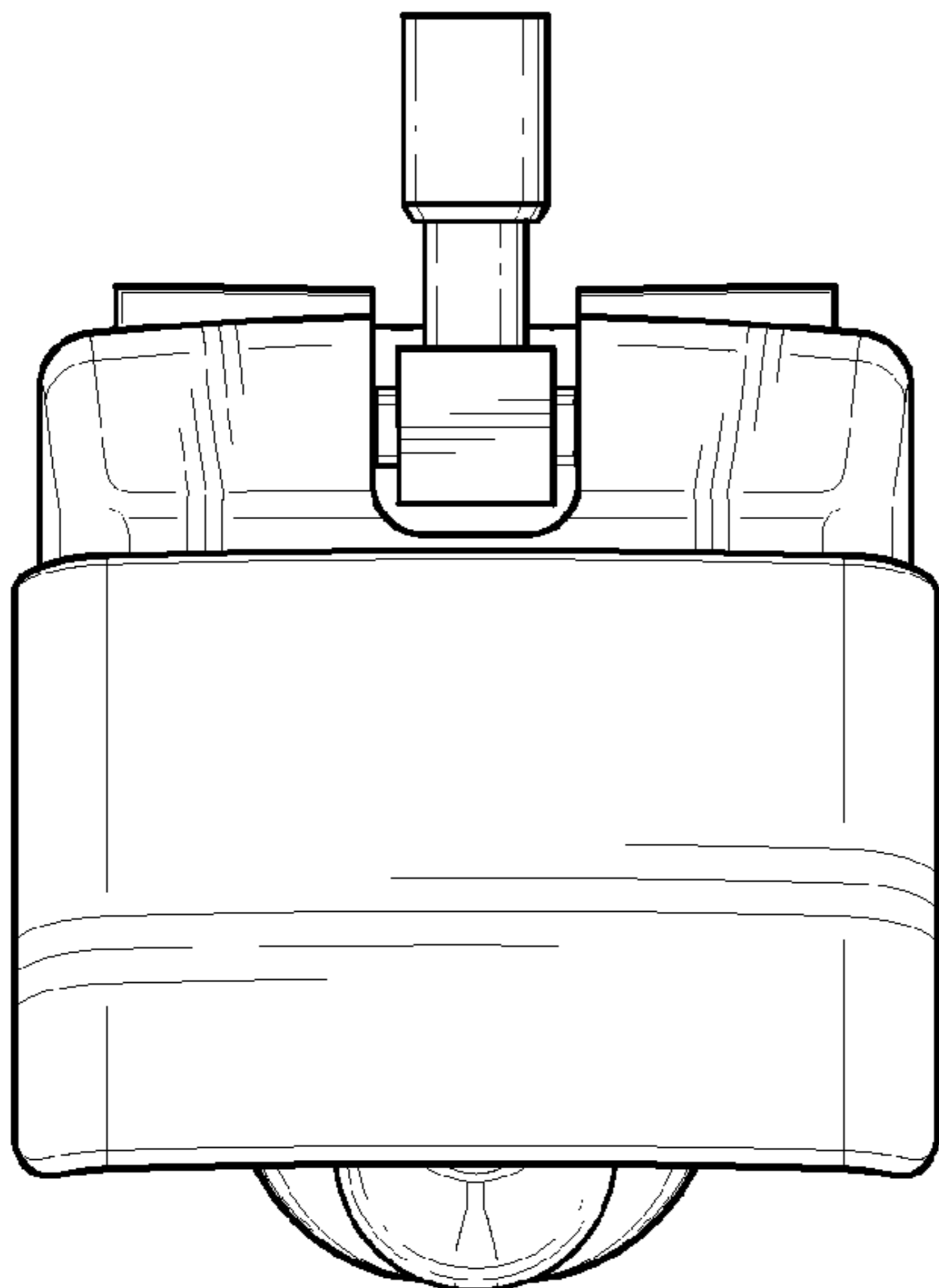


Fig-11

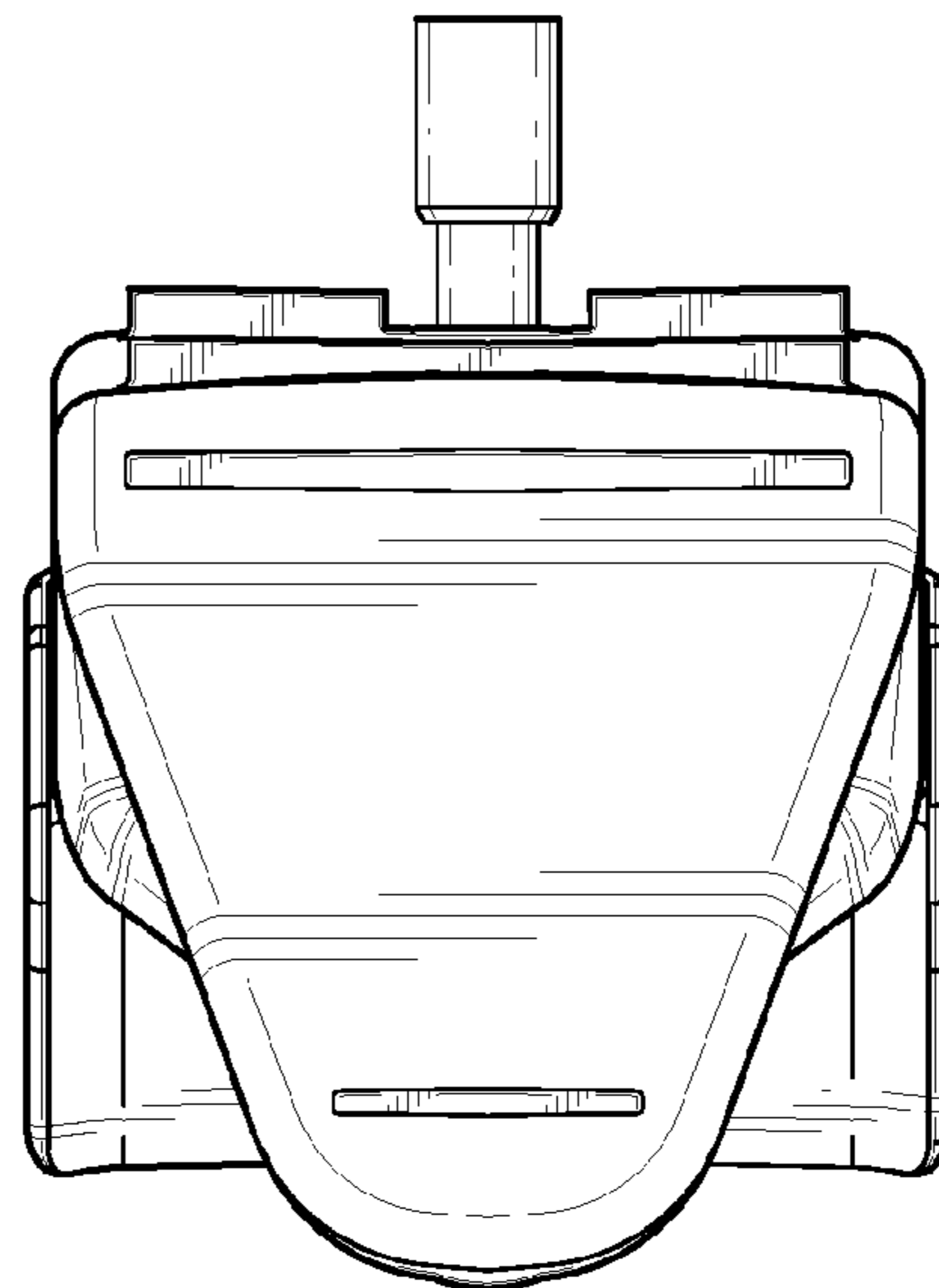


Fig-13