

US00D567121S

(12) **United States Design Patent**
Zhang et al.

(10) **Patent No.:** **US D567,121 S**

(45) **Date of Patent:** **** Apr. 22, 2008**

(54) **MULTILINE DEVICE**

(75) Inventors: **Minli Zhang**, Jiaangsu (CN); **Gongxin Peng**, Changzhou (CN)

(73) Assignee: **Johnson Level & Tool Mfg. Co., Inc.**, Mequon, WI (US)

(**) Term: **14 Years**

(21) Appl. No.: **29/250,652**

(22) Filed: **Nov. 27, 2006**

(51) **LOC (8) Cl.** **10-04**

(52) **U.S. Cl.** **D10/69; D10/70**

(58) **Field of Classification Search** D10/66, D10/69, 70; 33/276, 277, 281, 285, 286, 33/290, 291-299, DIG. 21; 340/573.1-573.4, 340/539, 825.36, 825.46, 825.49, 357.02, 340/357.07-357.09; 356/5.15, 4.01, 5.01, 356/4.05, 5.05-5.09, 5.12, 28.5, 345, 375, 356/3.01, 128-155, 399-400; 385/83, 97-99, 385/134-139; 701/211-213, 150, 158; 264/1.24-1.25
See application file for complete search history.

(56) **References Cited**

U.S. PATENT DOCUMENTS

2004/0177523 A1* 9/2004 Chang et al. 33/281

2005/0005462 A1* 1/2005 Heger et al. 33/286
2007/0044332 A1* 3/2007 Yung et al. 33/286
2007/0130785 A1* 6/2007 Bublitz et al. 33/290

* cited by examiner

Primary Examiner—Antoine D. Davis

(74) *Attorney, Agent, or Firm*—Boyle Fredrickson, S.C.

(57) **CLAIM**

The ornamental design of a multiline device, as shown and described.

DESCRIPTION

FIG. 1 is an isometric view of a multiline device incorporating our new design, wherein the areas indicated in phantom form no part of the claimed design;

FIG. 2 is a right side elevation view;

FIG. 3 is a front elevation view thereof;

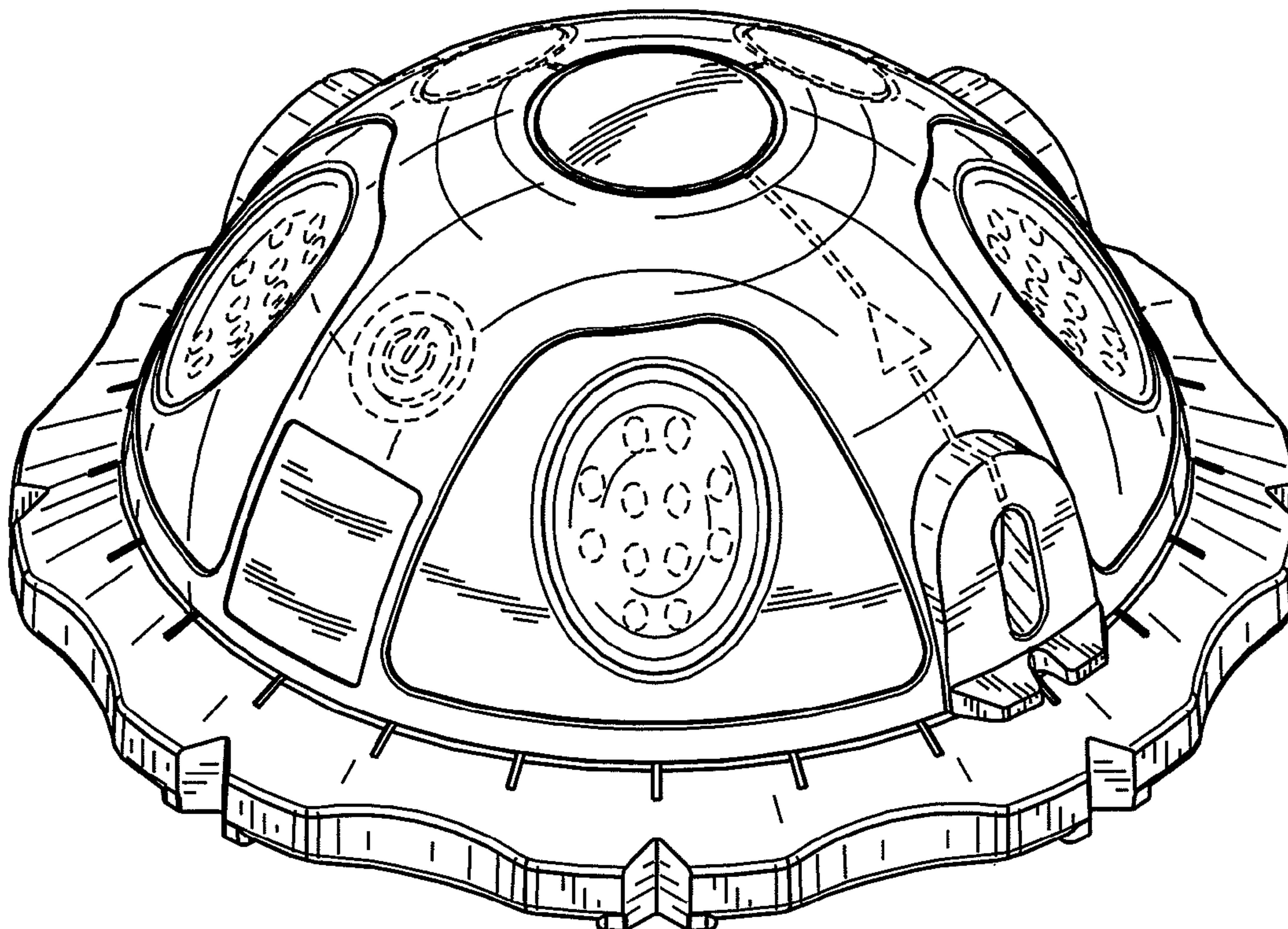
FIG. 4 is a top plan view thereof;

FIG. 5 is a left side elevation view thereof;

FIG. 6 is a rear elevation view thereof; and,

FIG. 7 is a bottom plan view thereof.

1 Claim, 4 Drawing Sheets



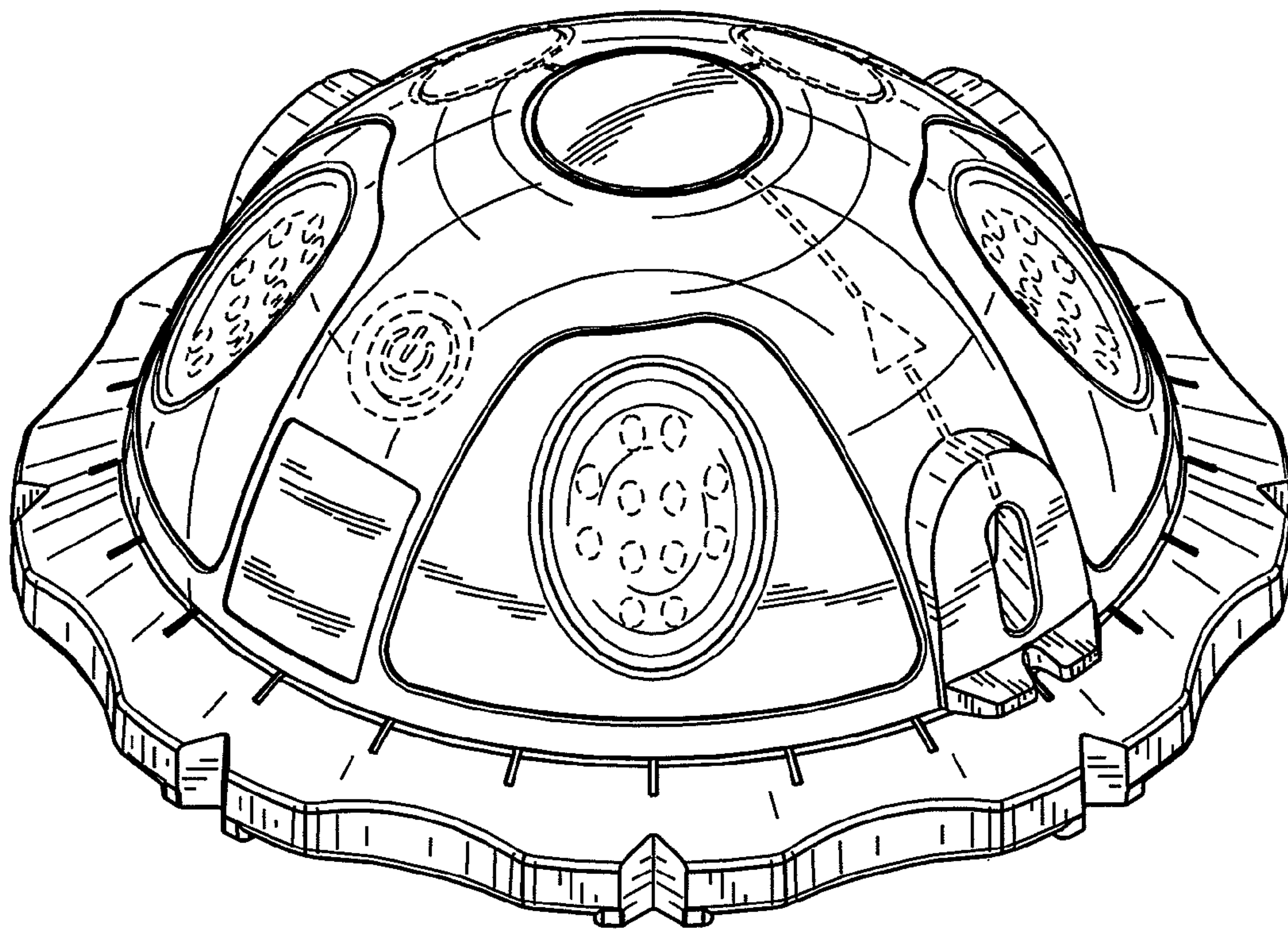


FIG. 1

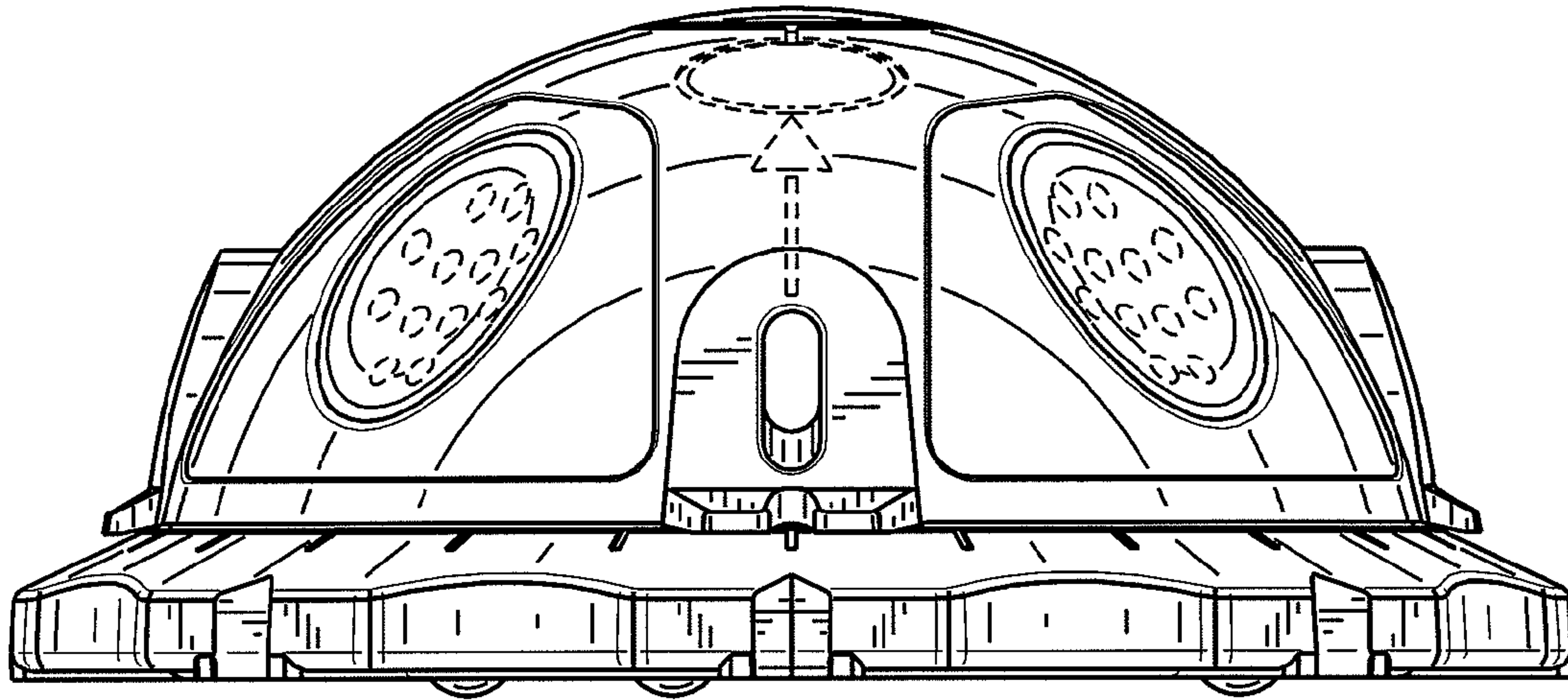


FIG. 2

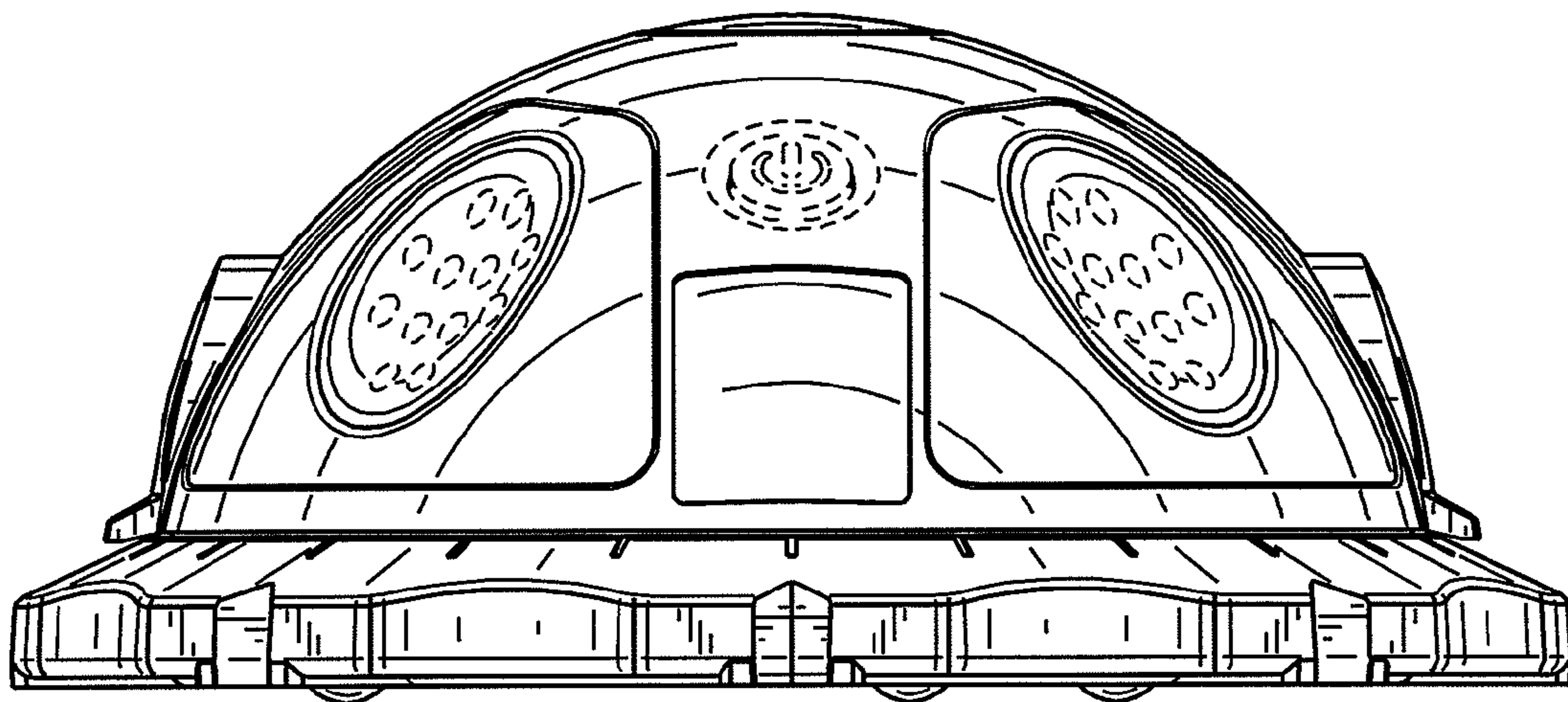
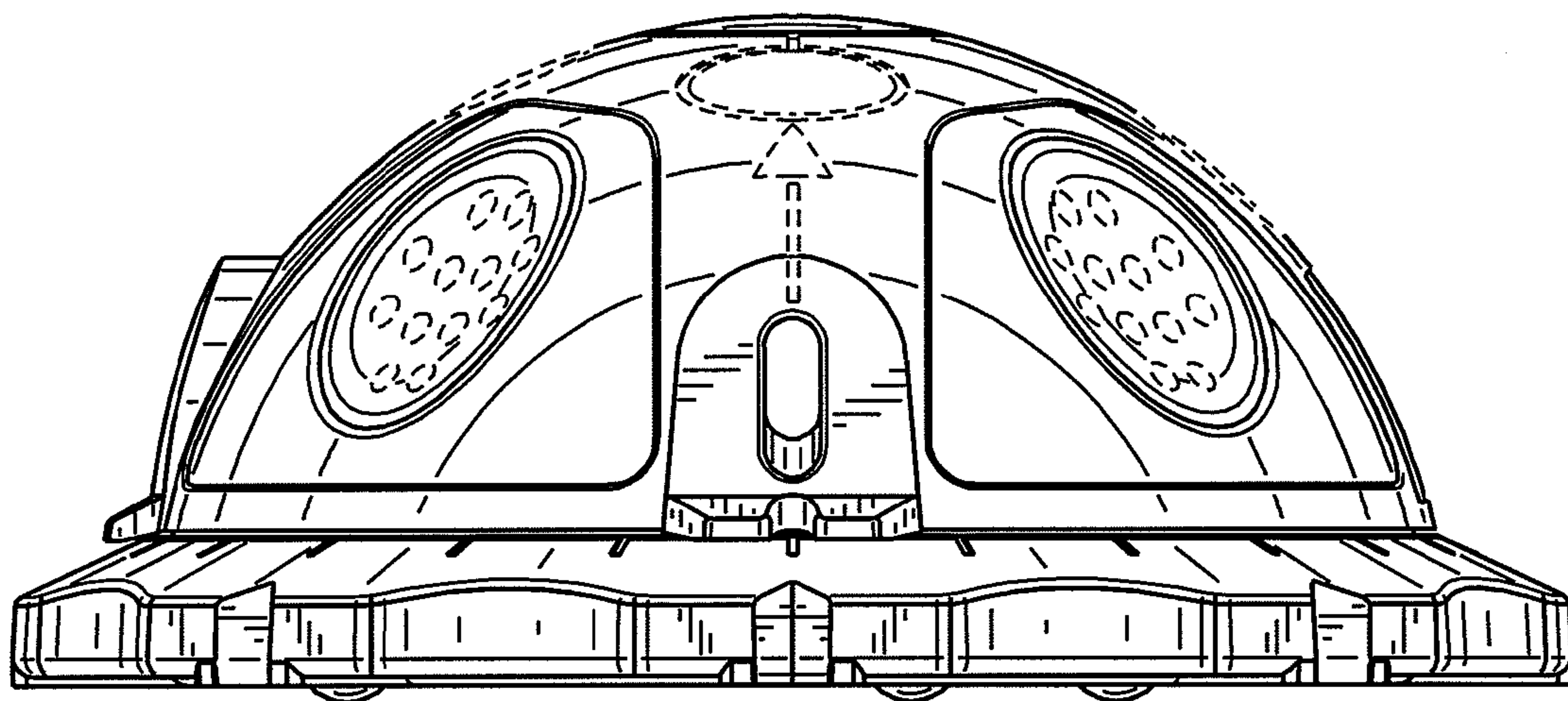
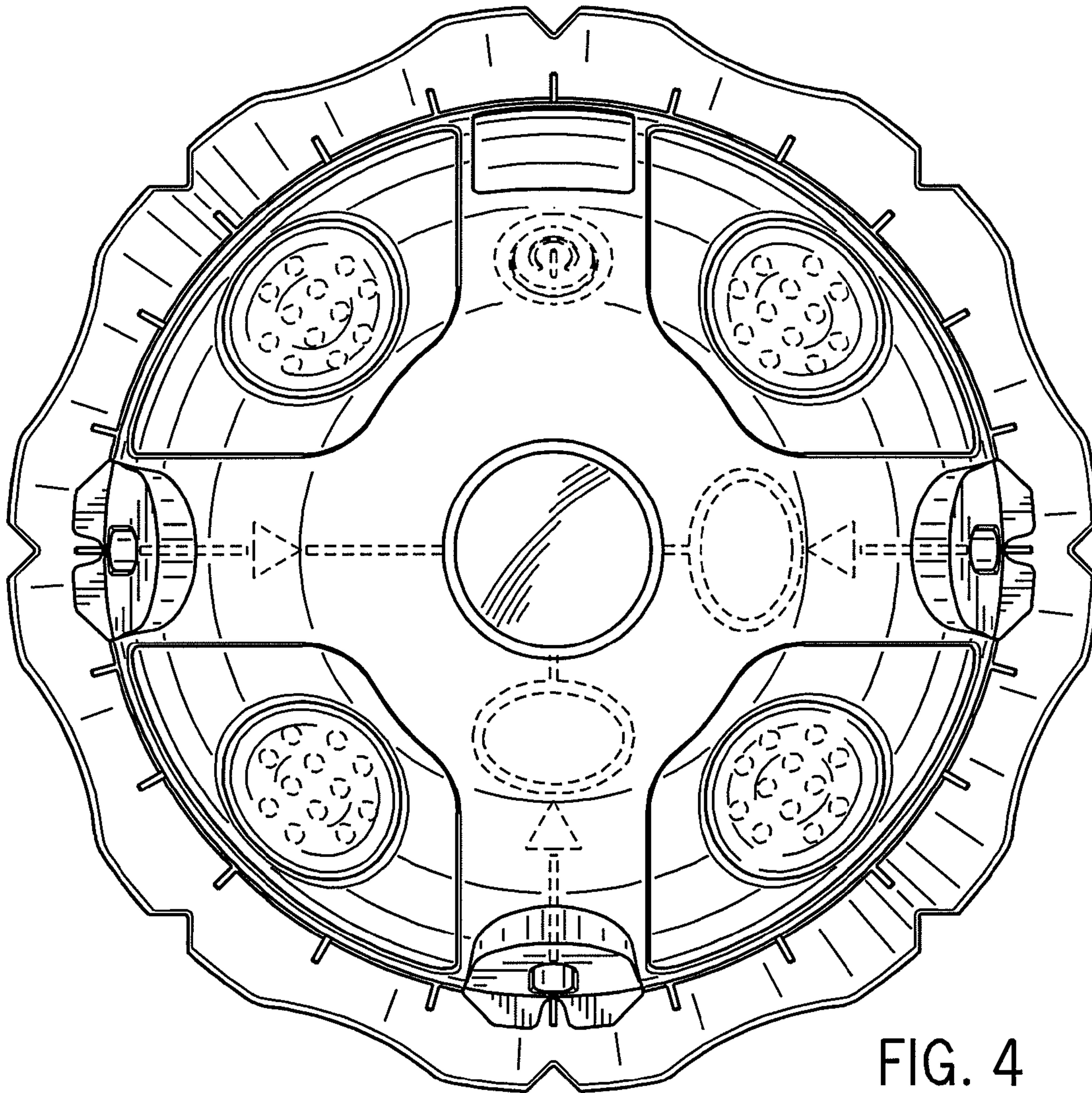


FIG. 3



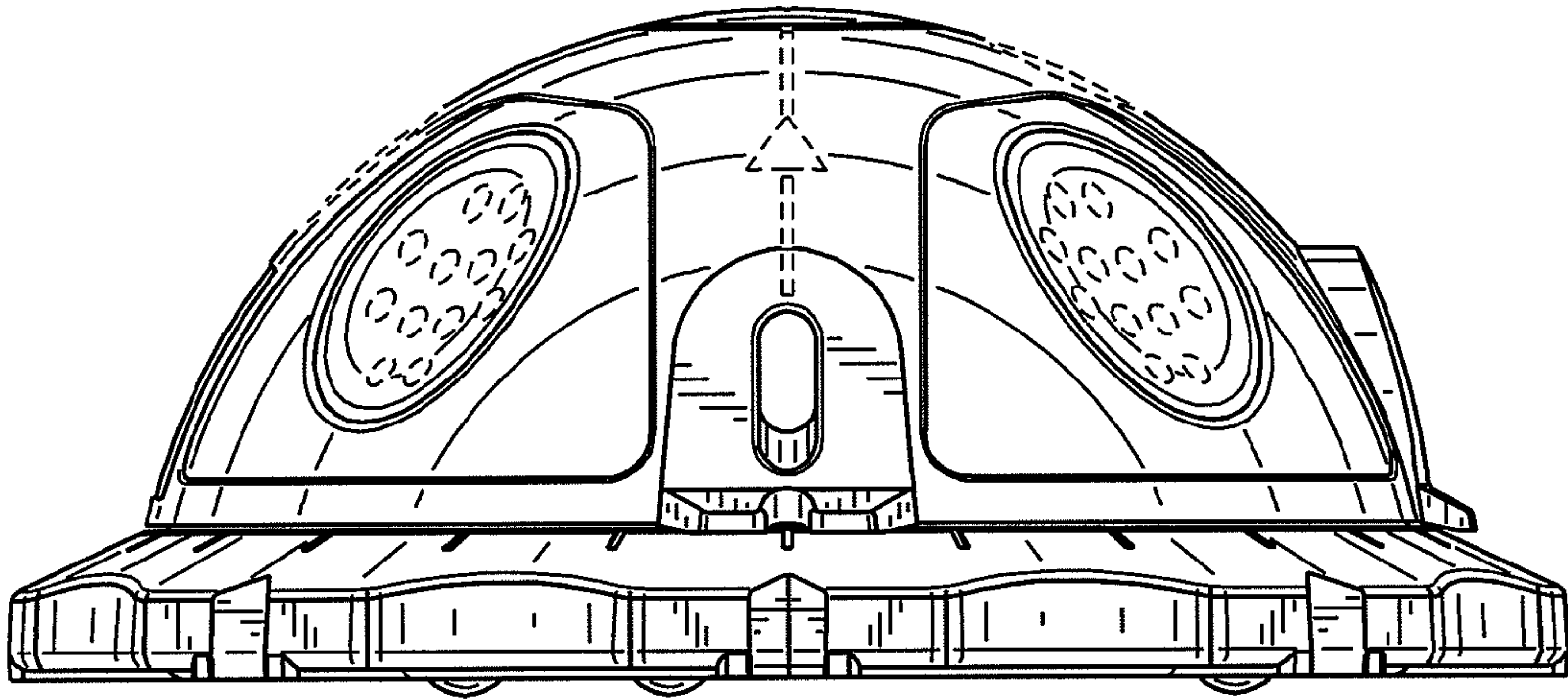


FIG. 6

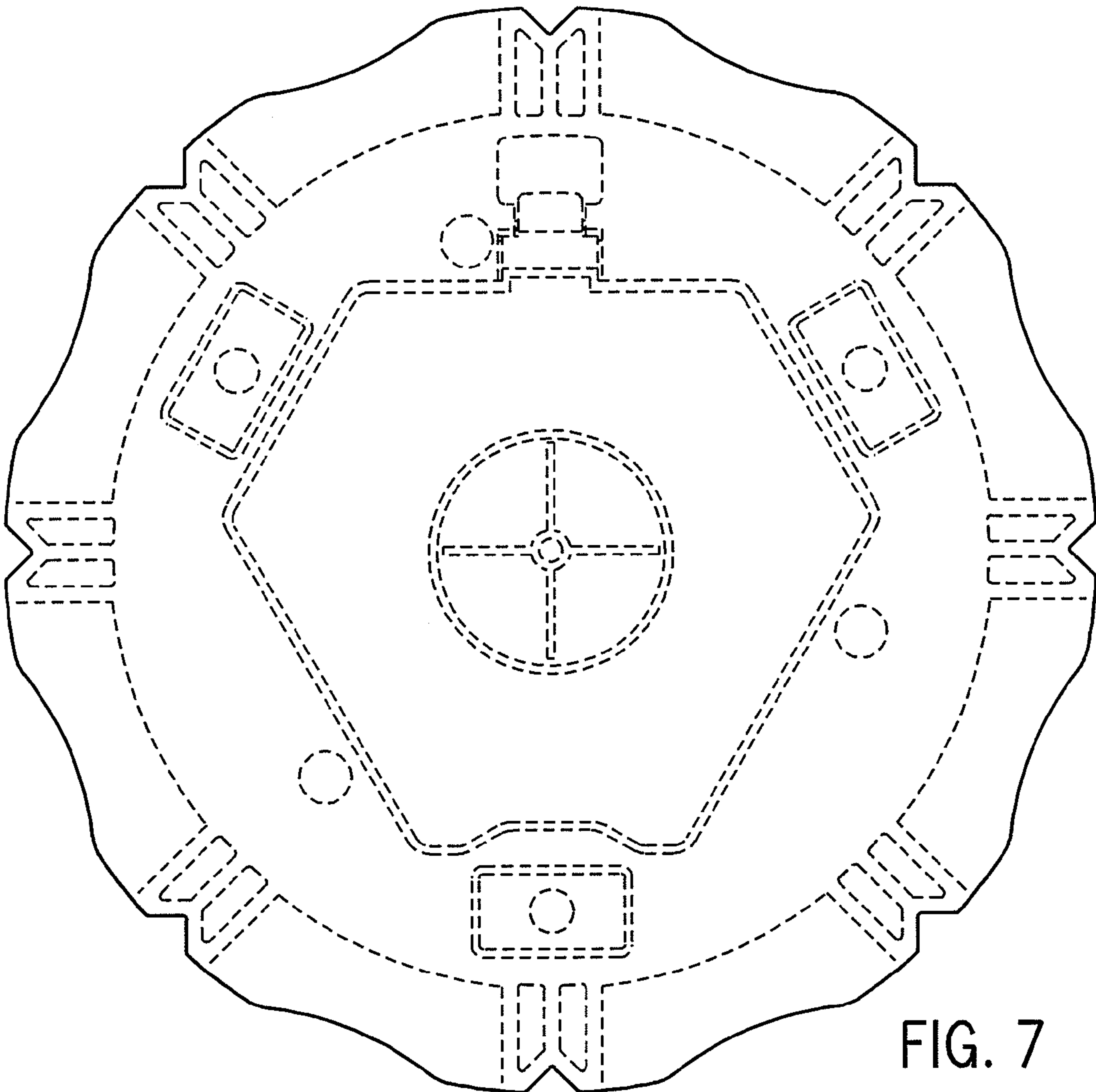


FIG. 7