



US00D567119S

(12) **United States Design Patent**  
**Ni et al.**

(10) **Patent No.:** **US D567,119 S**

(45) **Date of Patent:** **\*\* \*Apr. 22, 2008**

(54) **DIGITAL PLUG-IN TIMER**

(76) Inventors: **Lidong Ni**, Wenzhou MTLC Electric Appliances Co., Ltd., Shangwu Industrial Zone, Qiligang, Yueqing, Wenzhou, ZH (CN) 325605; **Xiang Yu**, Wenzhou MTLC Electric Appliances Co., Ltd., Shangwu Industrial Zone, Qiligang, Yueqing, Wenzhou (CN) 325605

(\*) Notice: This patent is subject to a terminal disclaimer.

(\*\*) Term: **14 Years**

(21) Appl. No.: **29/278,889**

(22) Filed: **Apr. 12, 2007**

(51) **LOC (8) Cl.** ..... **10-03**

(52) **U.S. Cl.** ..... **D10/40**

(58) **Field of Classification Search** ..... D10/40, D10/106; D13/138.1, 137.1, 137.3, 139.8, D13/139.6, 162, 162.1; 368/97-100, 107, 368/110-113; 307/141, 141.4; 439/650-653; 200/33 R, 38 R, 38 DA, 38 D, 38 A, 38 F  
See application file for complete search history.

(56) **References Cited**

**U.S. PATENT DOCUMENTS**

D216,017 S *	11/1969	Podall	.....	D10/40
D246,159 S *	10/1977	Podall	.....	D10/40
4,311,886 A *	1/1982	Rulseh	.....	200/38 R
4,712,019 A *	12/1987	Nilssen	.....	307/141
5,258,656 A *	11/1993	Pawlick	.....	307/141

5,309,032 A *	5/1994	Nilssen	.....	307/140
D352,667 S *	11/1994	Chen	.....	D10/40
5,397,930 A *	3/1995	Nilssen	.....	307/150
5,699,320 A *	12/1997	Wan	.....	368/10
D389,753 S *	1/1998	Wan	.....	D10/40
D391,177 S *	2/1998	Stekelenburg	.....	D10/40
D430,044 S *	8/2000	Clivio	.....	D10/40
6,095,850 A *	8/2000	Liu	.....	439/488
D449,233 S *	10/2001	Stekelenburg	.....	D10/40
6,356,425 B1 *	3/2002	Jung	.....	361/93.8
D458,547 S *	6/2002	Stekelenburg	.....	D10/40
6,625,089 B2 *	9/2003	Stekelenburg	.....	368/107
D513,999 S *	1/2006	Echito et al.	.....	D10/40
D525,152 S *	7/2006	Smith	.....	D10/40
D534,086 S *	12/2006	Stekelenburg	.....	D10/40
D534,439 S *	1/2007	Stekelenburg	.....	D10/40
D534,441 S *	1/2007	Stekelenburg	.....	D10/40

\* cited by examiner

*Primary Examiner*—Lucy Lieberman

(74) *Attorney, Agent, or Firm*—Michael C. Olson, Esq.

(57) **CLAIM**

The ornamental design for a digital plug-in timer, as shown and described in the drawings.

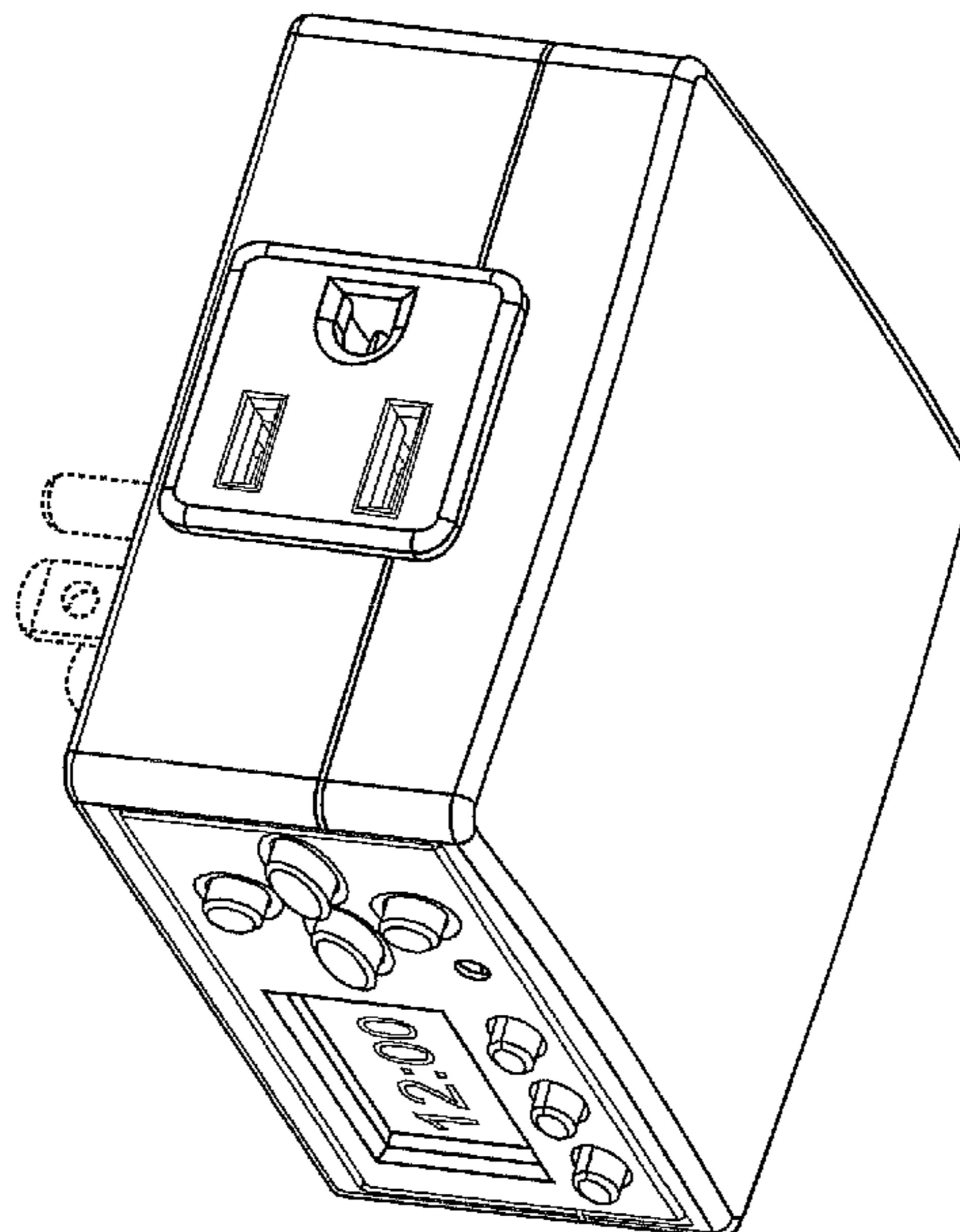
**DESCRIPTION**

FIG. 1 depicts a view of the front of a digital plug-in timer depicting our new design; and,

FIG. 2 depicts a perspective view of the right side and front view of a digital plug-in timer depicting our new design.

The broken lines in the drawings are for illustrative purposes only and form no part of the claimed design.

**1 Claim, 2 Drawing Sheets**



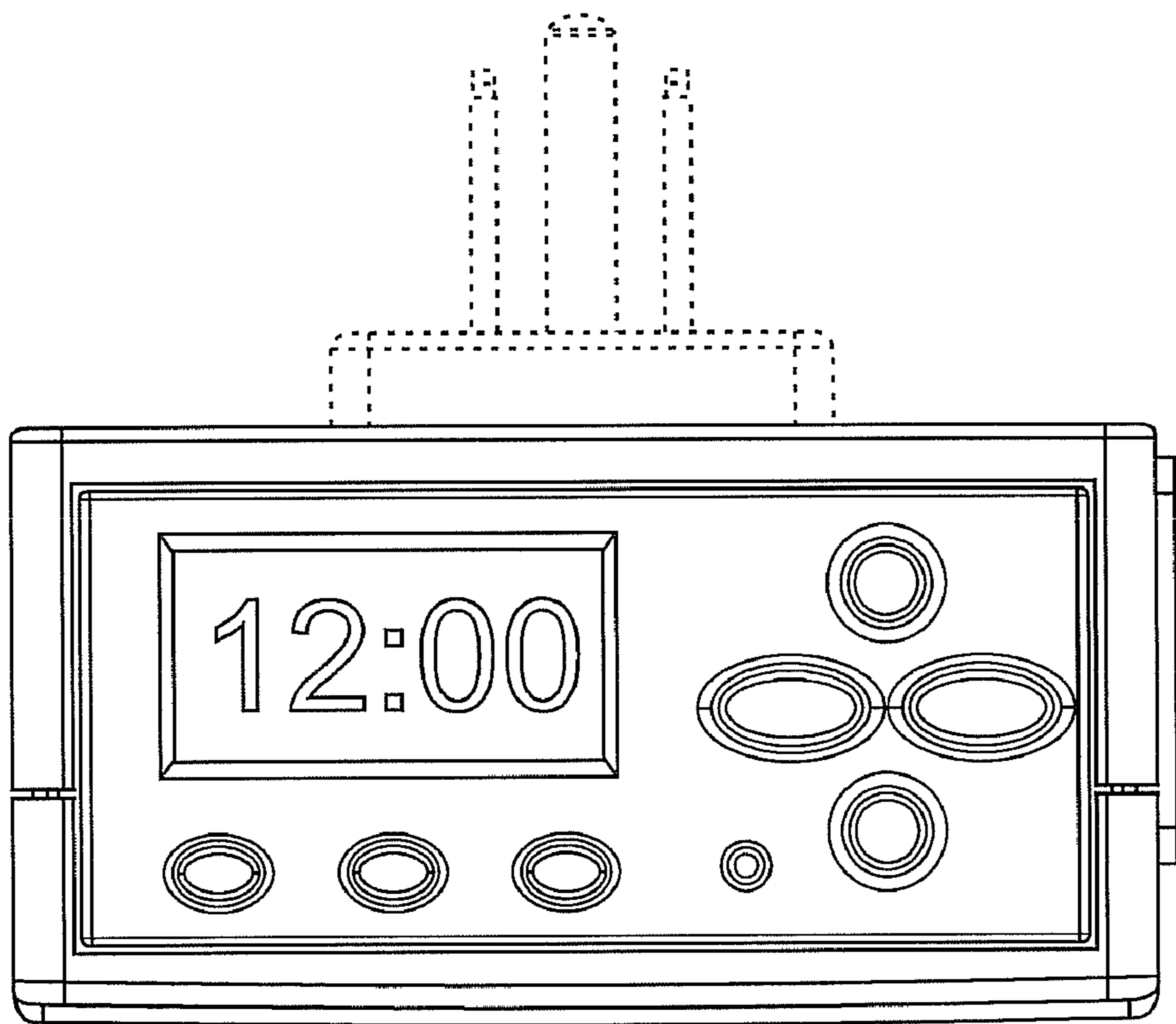


Figure 1

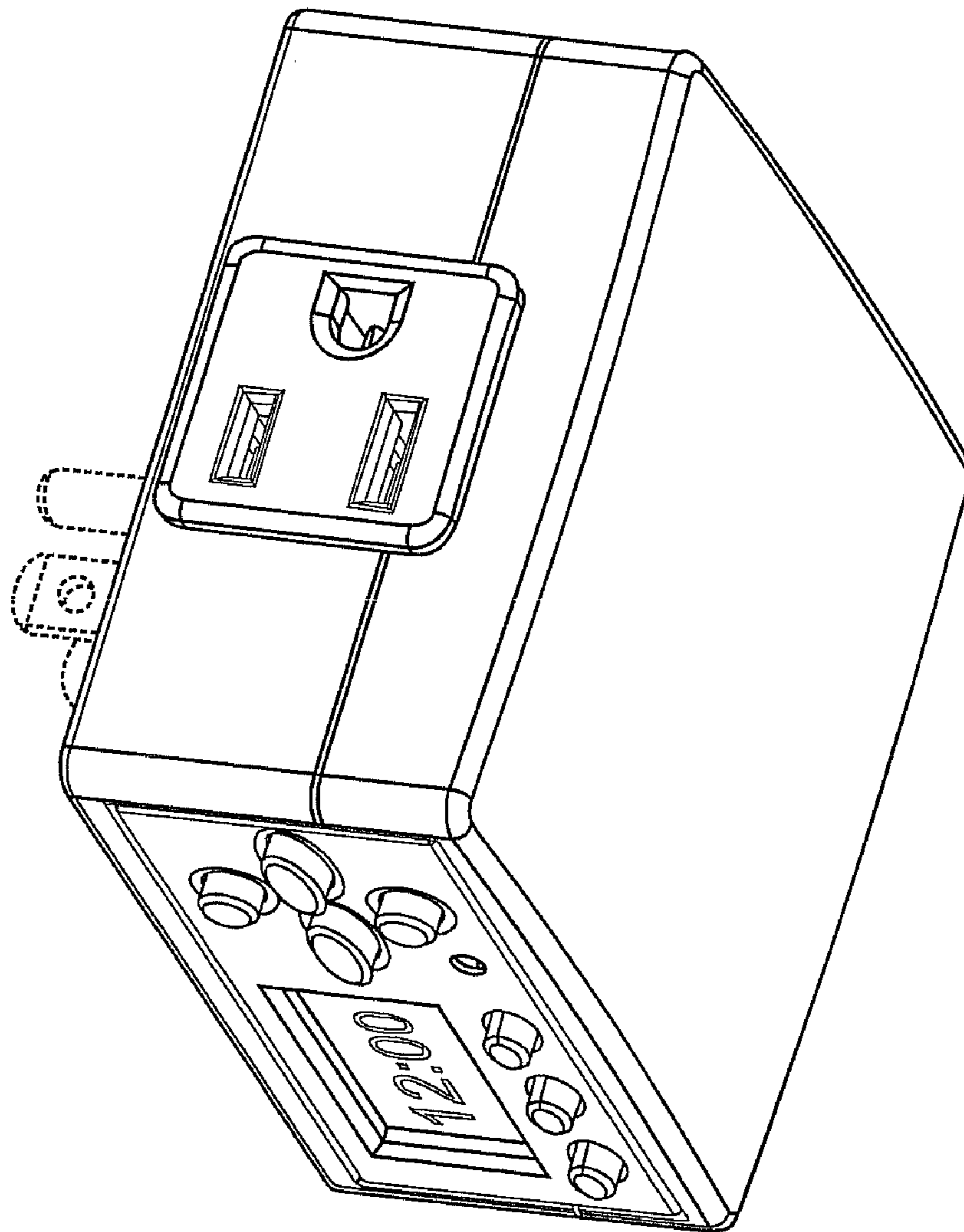


Figure 2