



US00D567118S

(12) **United States Design Patent**
Colombo

(10) **Patent No.:** **US D567,118 S**

(45) **Date of Patent:** **** Apr. 22, 2008**

(54) **WRIST WATCH**

(76) **Inventor:** **Marco Colombo**, Via Tevere, 7, Lainate
(Milano) I-20020 (IT)

(**) **Term:** **14 Years**

(21) **Appl. No.:** **29/250,086**

(22) **Filed:** **Nov. 1, 2006**

(30) **Foreign Application Priority Data**

May 2, 2006 (IT) MI2006O000090

(51) **LOC (8) Cl.** **10-02**

(52) **U.S. Cl.** **D10/39**

(58) **Field of Classification Search** D10/30-39,
D10/123-126; 368/276, 278, 281, 282, 285,
368/223, 21, 28, 228, 232

See application file for complete search history.

(56) **References Cited**

U.S. PATENT DOCUMENTS

2,361,563	A *	10/1944	Pellaton	368/80
2,535,543	A *	12/1950	Maizlish et al.	368/27
3,277,646	A *	10/1966	Howard, Sr.	368/281
3,570,239	A *	3/1971	Charles	368/11
4,855,973	A *	8/1989	Crocco	368/282
D303,504	S *	9/1989	Hysek	D10/32
4,964,092	A *	10/1990	Brida	368/282
D318,809	S *	8/1991	Bourquin et al.	D10/39
D324,001	S *	2/1992	Kerr	D10/128
D362,396	S *	9/1995	Chester	D10/32

6,275,450	B1 *	8/2001	Makiba	368/80
D470,778	S *	2/2003	Berke	D10/32
6,567,345	B1 *	5/2003	Furukawa et al.	368/80
6,690,623	B1 *	2/2004	Maano	368/82
D505,086	S *	5/2005	Fernandez	D10/39
D520,380	S *	5/2006	Correia	D10/31
D533,089	S *	12/2006	Arabo	D10/39
D539,175	S *	3/2007	Bolt et al.	D10/39

* cited by examiner

Primary Examiner—Lucy Lieberman

(74) *Attorney, Agent, or Firm*—Shoemaker and Mattare

(57) **CLAIM**

The ornamental design for a wrist watch, as shown and described.

DESCRIPTION

FIG. 1 is a front, bottom and left side perspective view of a wrist watch showing my new design;

FIG. 2 is a rear, top and left side perspective view thereof;

FIG. 3 is a front elevational view thereof;

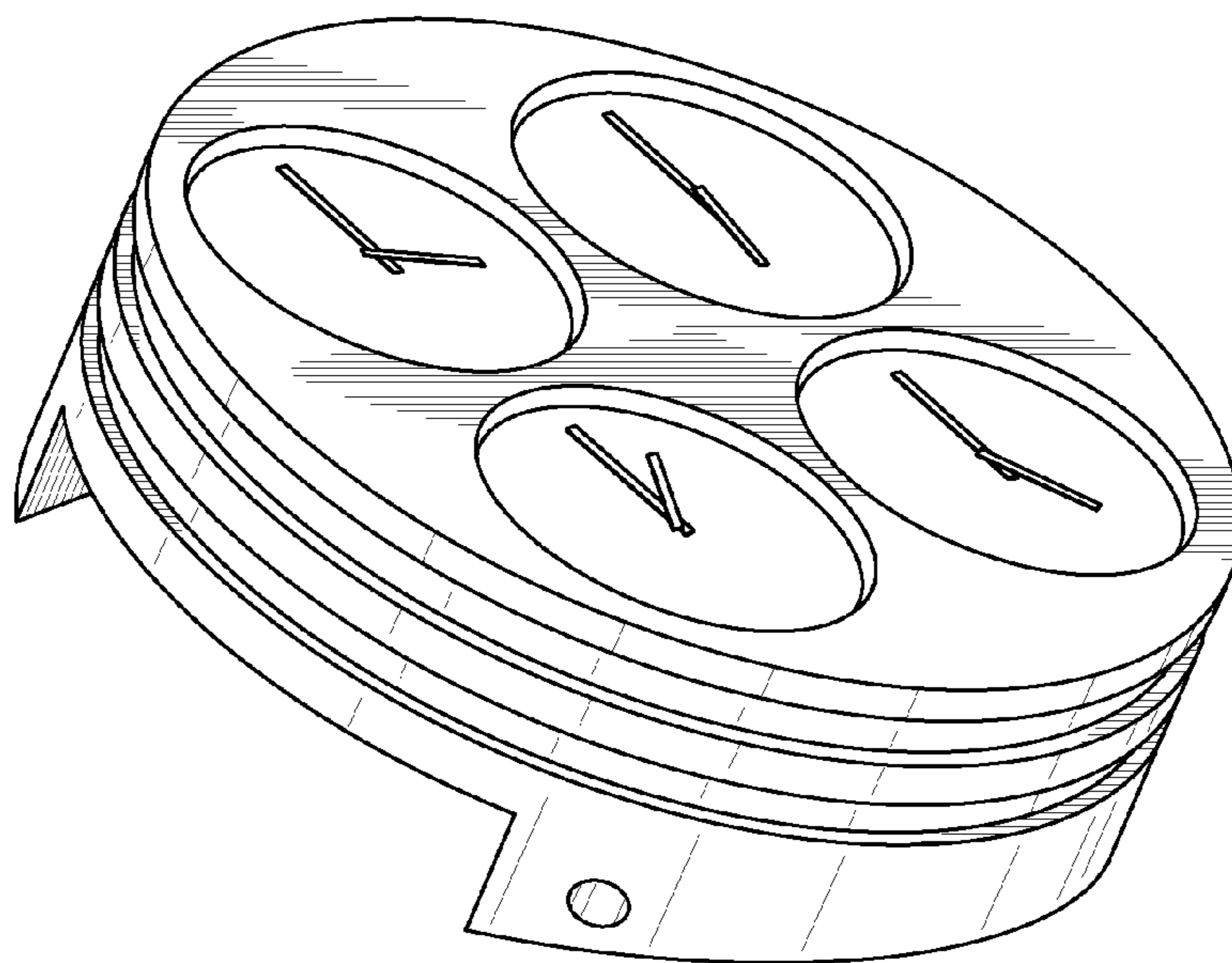
FIG. 4 is a left side elevation of the wrist watch, the right side elevation is the same;

FIG. 5 is a top plan view of the wrist watch, the bottom plan view is the same; and,

FIG. 6 is a rear elevational view thereof.

Some of the hands on the wrist watch are shown in alternate positions in FIG. 3.

1 Claim, 6 Drawing Sheets



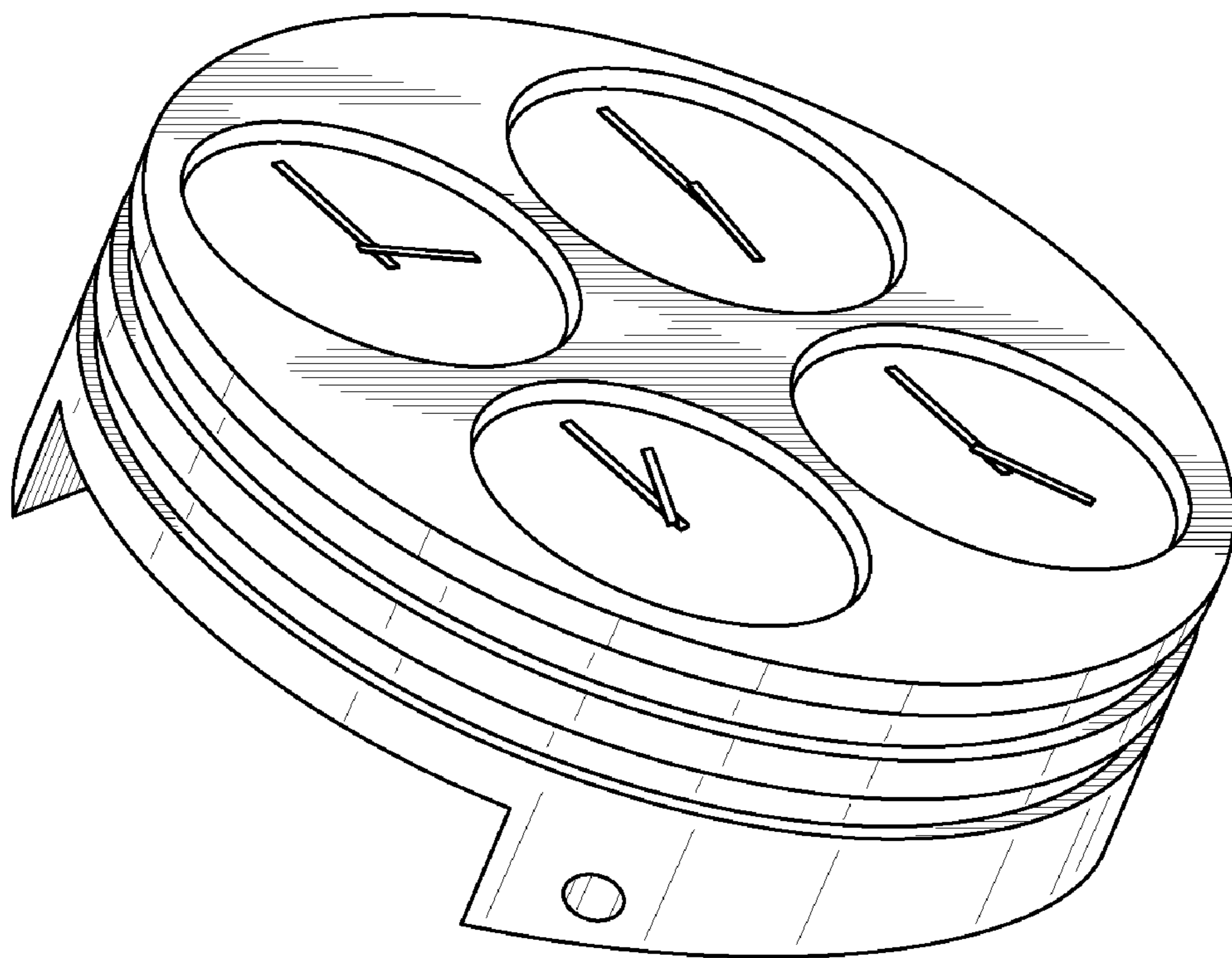


FIG. 1

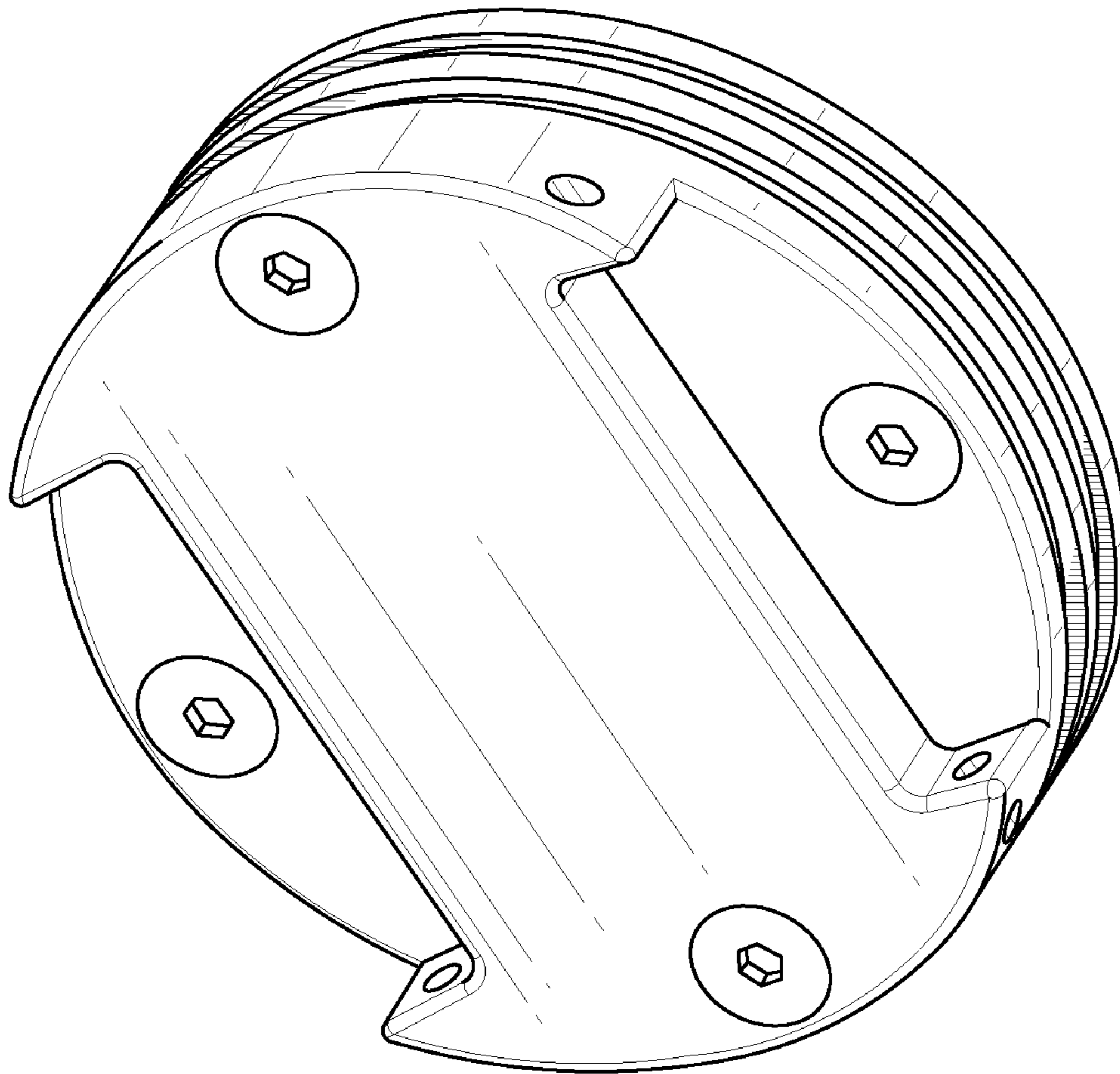


FIG. 2

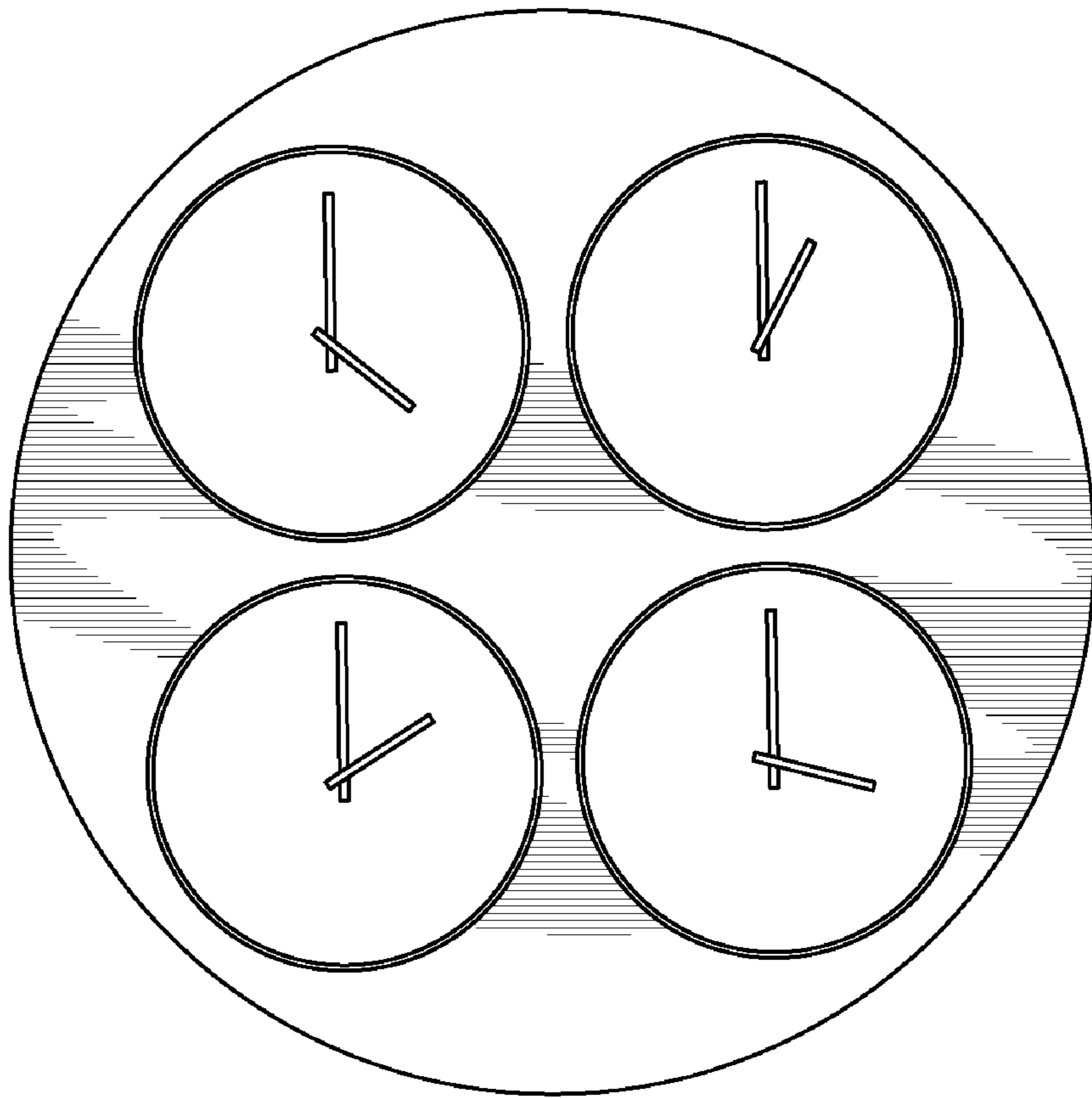


FIG. 3

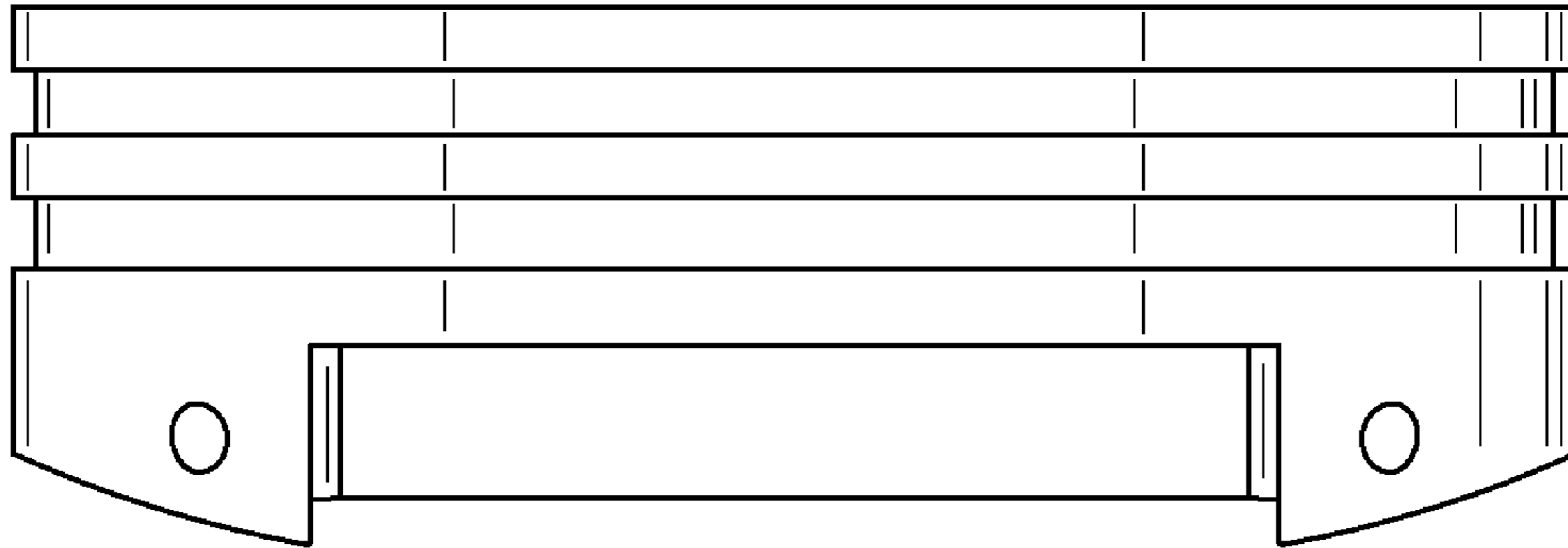


FIG. 4

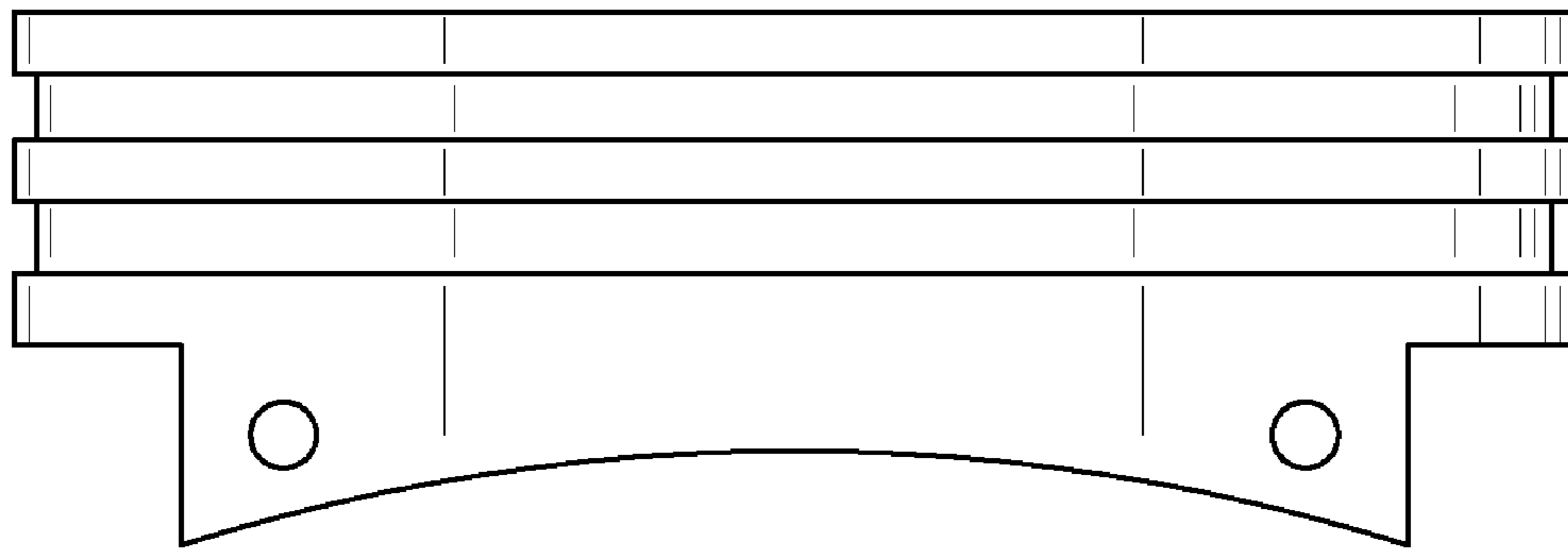


FIG. 5

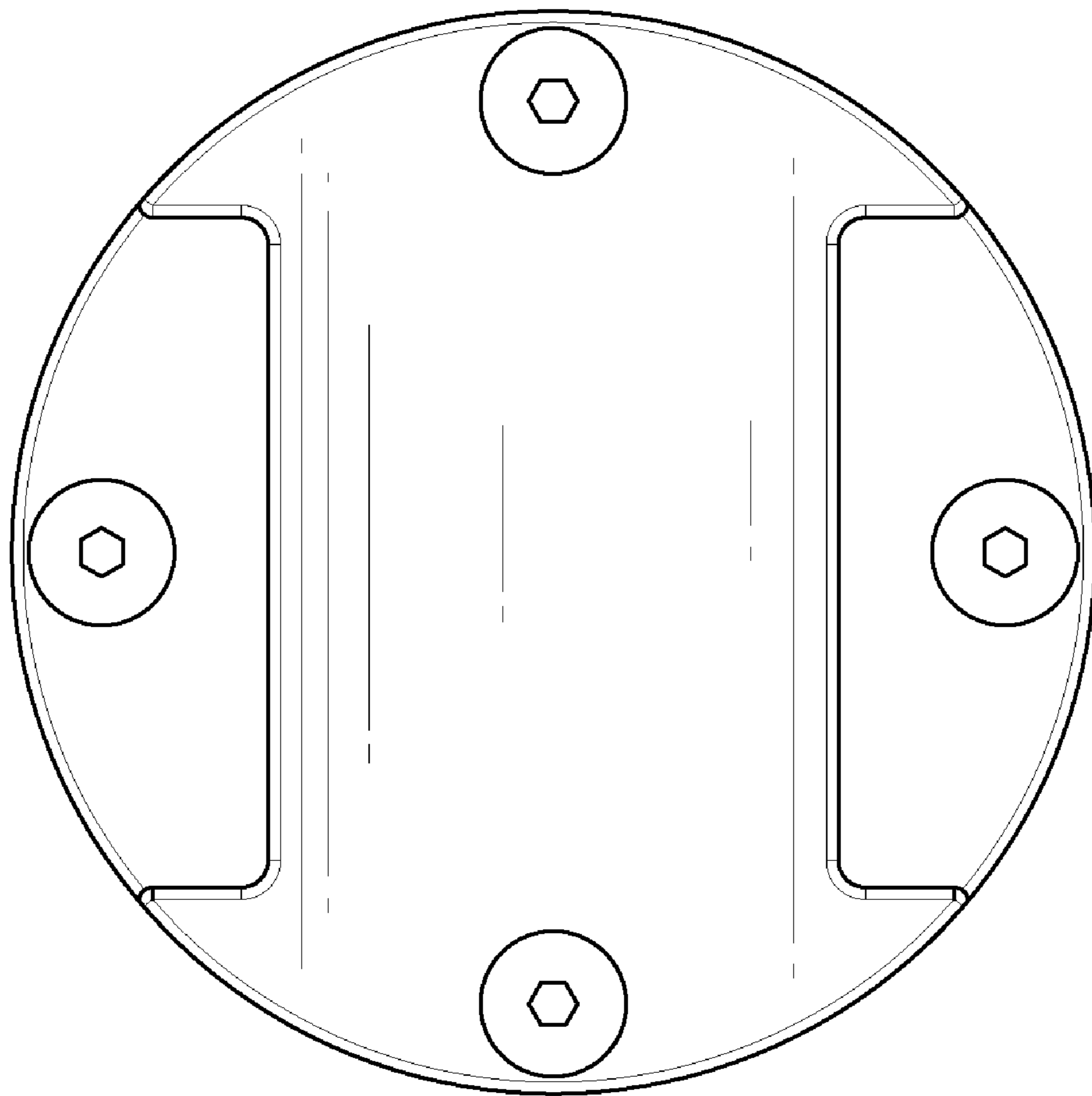


FIG. 6