



US00D567110S

(12) **United States Design Patent**
Pardoux

(10) **Patent No.:** **US D567,110 S**

(45) **Date of Patent:** **** Apr. 22, 2008**

(54) **WATCH CASE WITH A BRACELET**

(75) Inventor: **Remi Pardoux**, Le Perreux sur Marne (FR)

(73) Assignee: **Seiko Watch Kabushiki Kaisha** (JP)

(**) Term: **14 Years**

(21) Appl. No.: **29/289,662**

(22) Filed: **Jul. 27, 2007**

(30) **Foreign Application Priority Data**

Apr. 6, 2007 (JP) D2007-009228

(51) **LOC (8) Cl.** **10-02**

(52) **U.S. Cl.** **D10/31; D10/32**

(58) **Field of Classification Search** D10/30-39;
368/276-278, 281, 282, 223, 228, 232, 285;
D11/3-5; 224/164; 63/3, 7, 8, 10, 11
See application file for complete search history.

(56) **References Cited**

U.S. PATENT DOCUMENTS

- 247,701 A * 9/1881 Smith 63/8
- D39,035 S * 1/1908 Mitchell D11/5
- D39,037 S * 1/1908 Mitchell D11/5
- D68,195 S * 9/1925 Soria D9/601
- D115,439 S * 6/1939 Beaupre D11/5
- D119,192 S * 2/1940 Welling D10/32
- 2,189,096 A * 2/1940 Alonge 224/170
- D119,637 S * 3/1940 Ormstein D10/32
- D119,638 S * 3/1940 Ornstein D10/32
- D123,109 S * 10/1940 Garfinkel D11/5
- D150,653 S * 8/1948 Pommier D10/32
- D152,491 S * 1/1949 Ostier D10/32
- D186,818 S * 12/1959 Gale D10/32
- 2,925,706 A * 2/1960 Morf 368/281
- D190,753 S * 6/1961 Brauchi D11/5
- 3,780,526 A * 12/1973 Maue 368/223
- 3,805,548 A * 4/1974 Matwijcow 63/8
- D237,815 S * 11/1975 Bulgari D11/5

- D237,816 S * 11/1975 Bulgari D11/27
- D269,254 S * 6/1983 Kishimoto D10/32
- D285,543 S * 9/1986 Moser D11/4
- D296,766 S * 7/1988 Pavlovic D10/32
- D310,490 S * 9/1990 Fong D10/32
- D371,980 S * 7/1996 Gardner D11/4
- D480,653 S * 10/2003 Lo D10/32

FOREIGN PATENT DOCUMENTS

- JP 60162979 * 8/1985
- WO DM 063293 * 3/2003

OTHER PUBLICATIONS

American Time, Apr./May 2003, p. 37, Alfex watch.*

* cited by examiner

Primary Examiner—Lucy Lieberman

(74) Attorney, Agent, or Firm—SAIDMAN DesignLaw Group

(57) **CLAIM**

The ornamental design for a watch case with a bracelet, as shown and described.

DESCRIPTION

FIG. 1 is a perspective view of a watch case with a bracelet;
 FIG. 2 is a front view thereof;
 FIG. 3 is a rear view thereof;
 FIG. 4 is a left side view thereof;
 FIG. 5 is a right side view thereof;
 FIG. 6 is a top plan view thereof;
 FIG. 7 is a bottom plan view thereof;
 FIG. 8 is a front view of a second embodiment thereof;
 FIG. 9 is a rear view of a second embodiment thereof; and,
 FIG. 10 is a left side view of a second embodiment thereof.
 The second embodiment is a mirror image of the first embodiment.

1 Claim, 8 Drawing Sheets

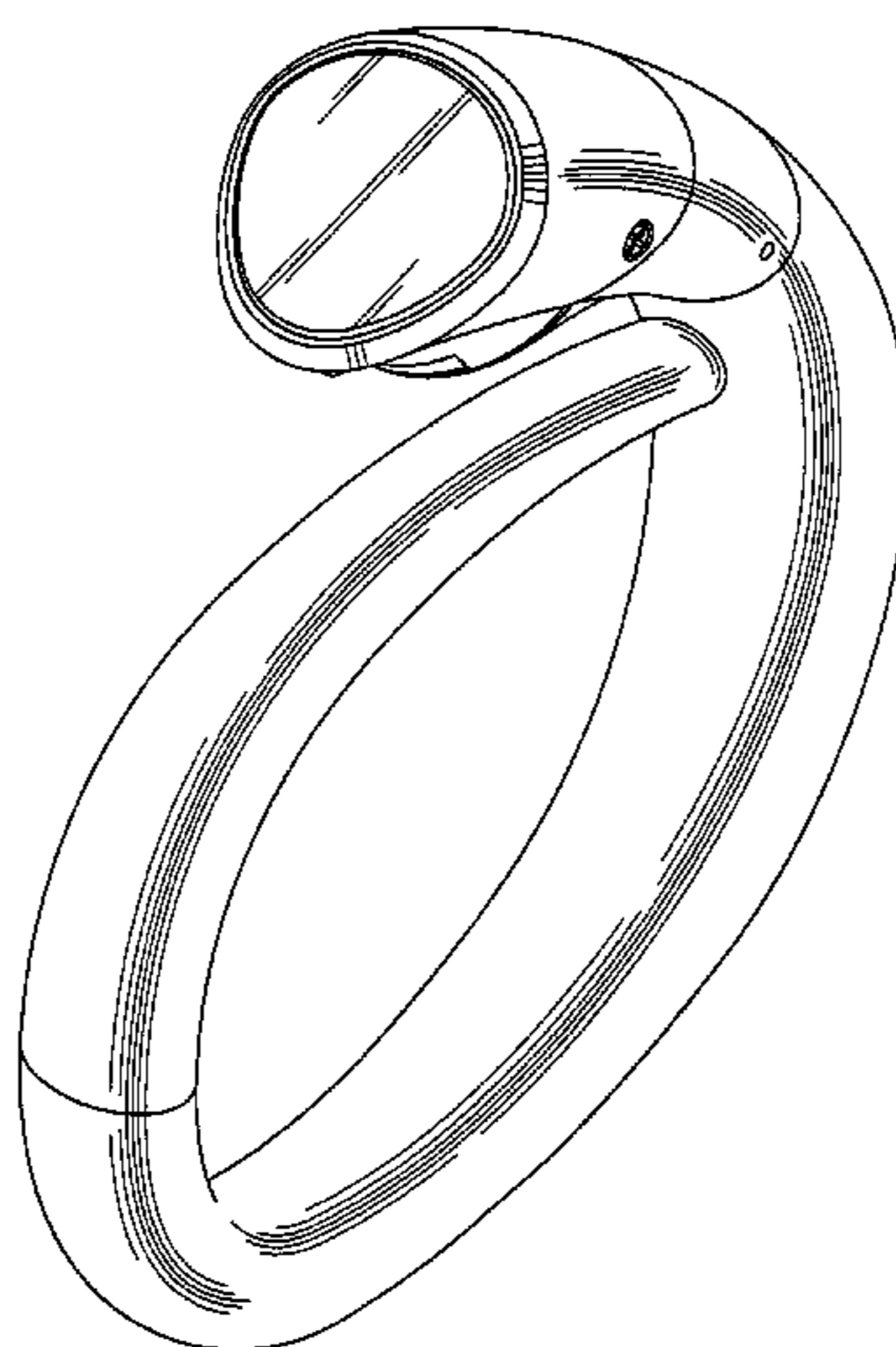


Fig. 1

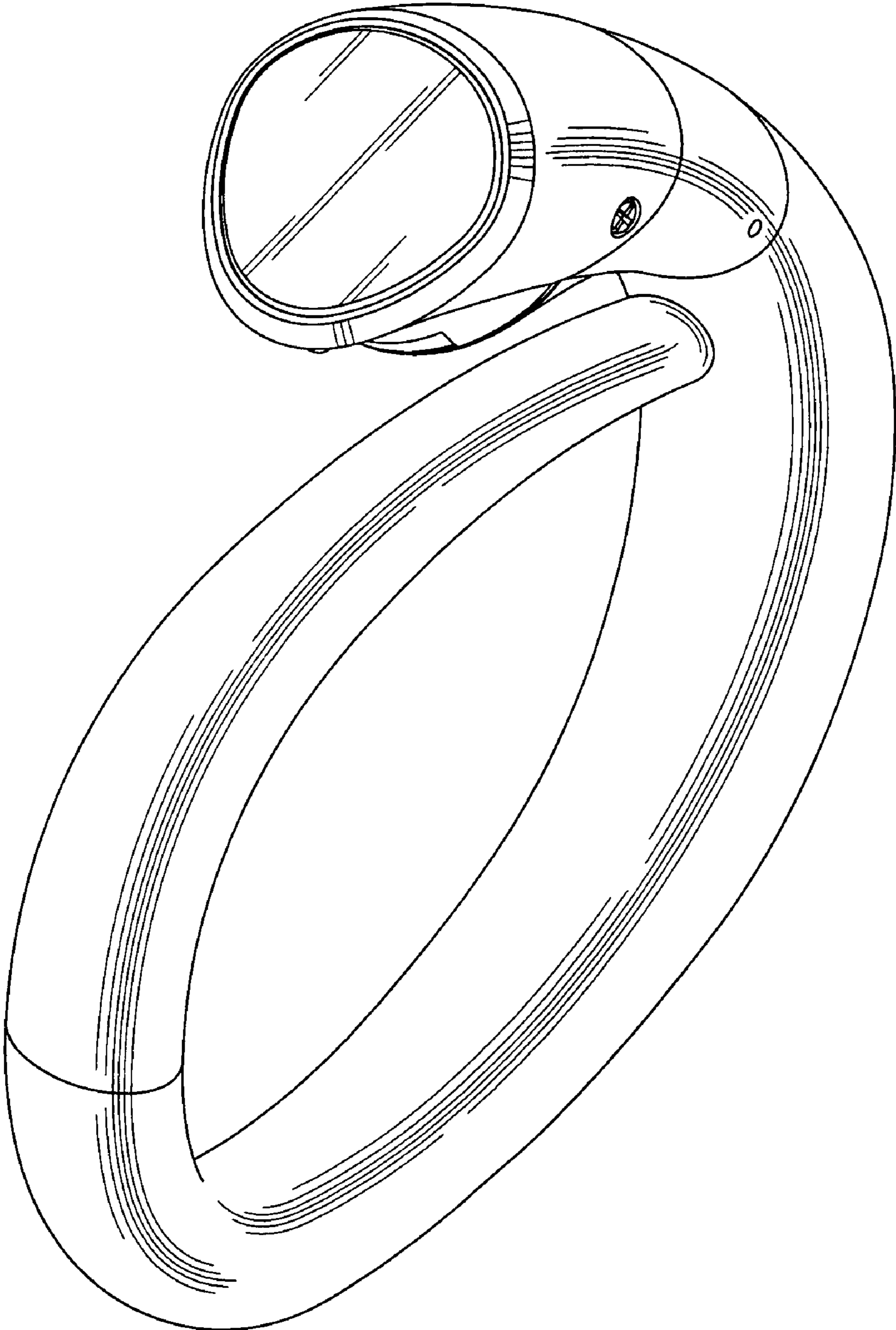


Fig.2

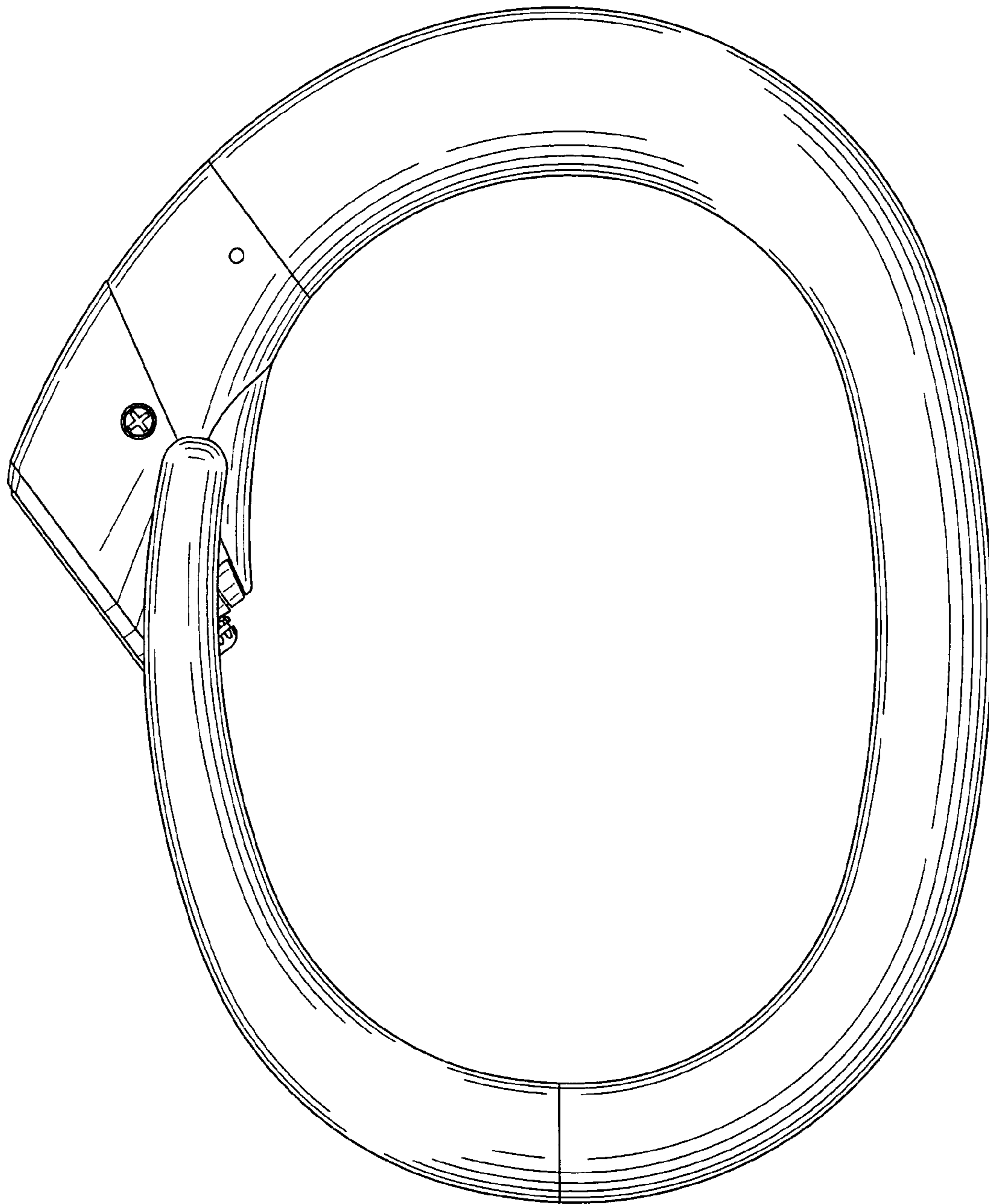


Fig.3

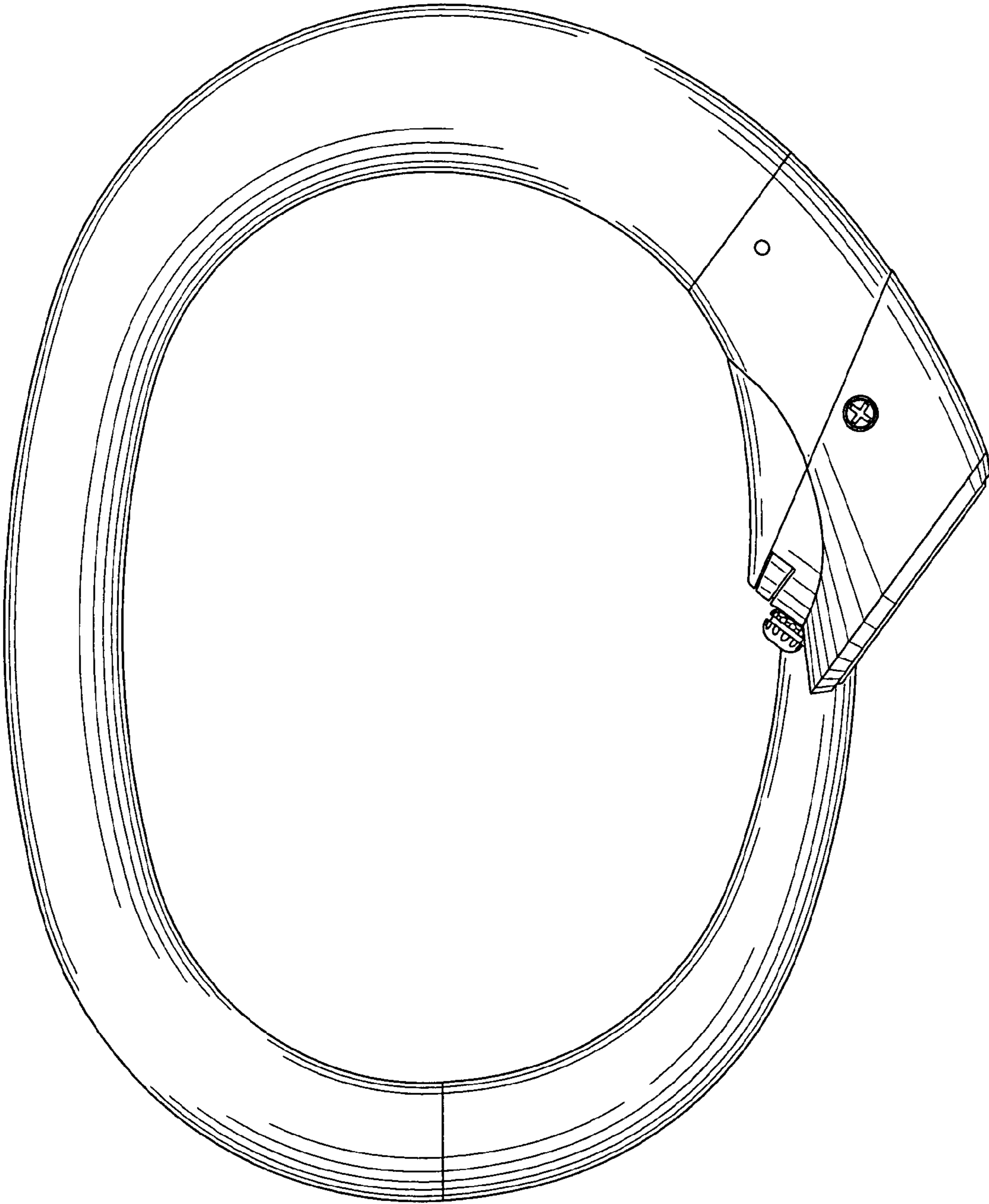


Fig.4

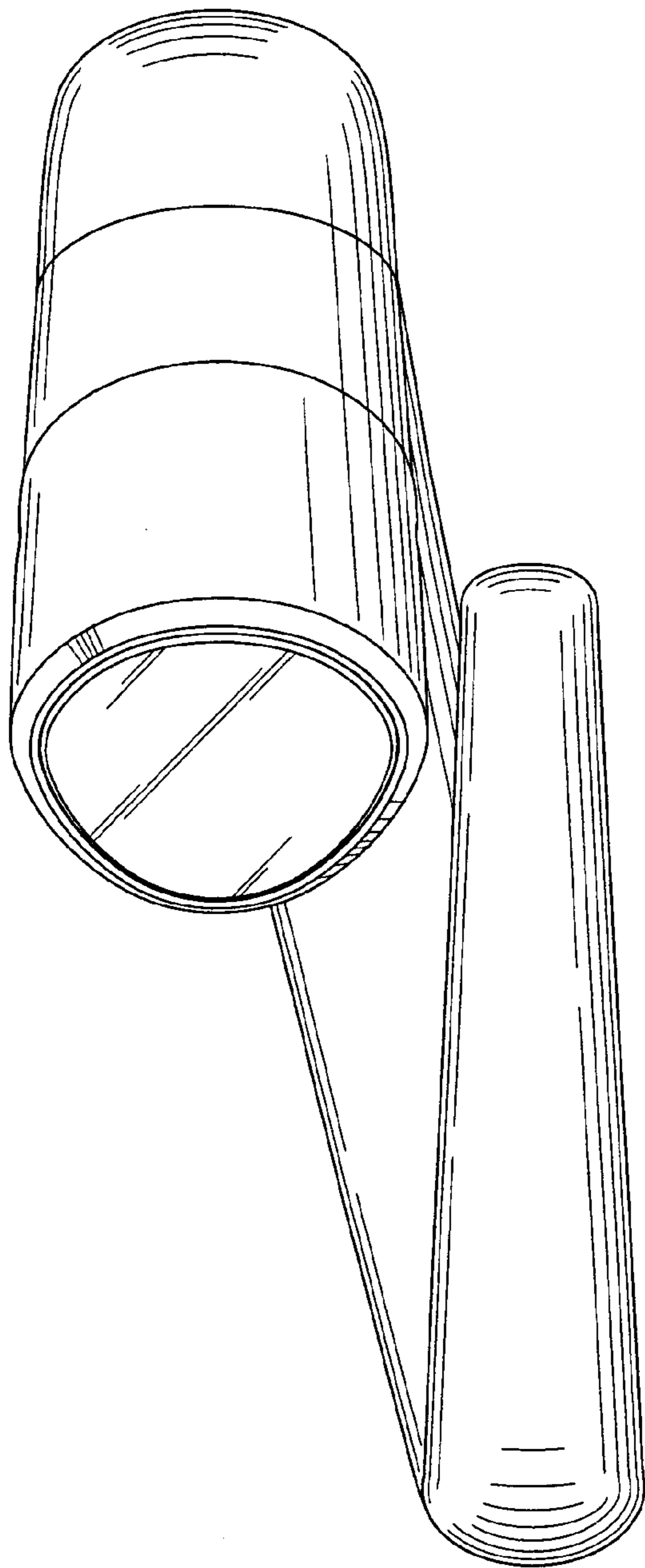


Fig.5

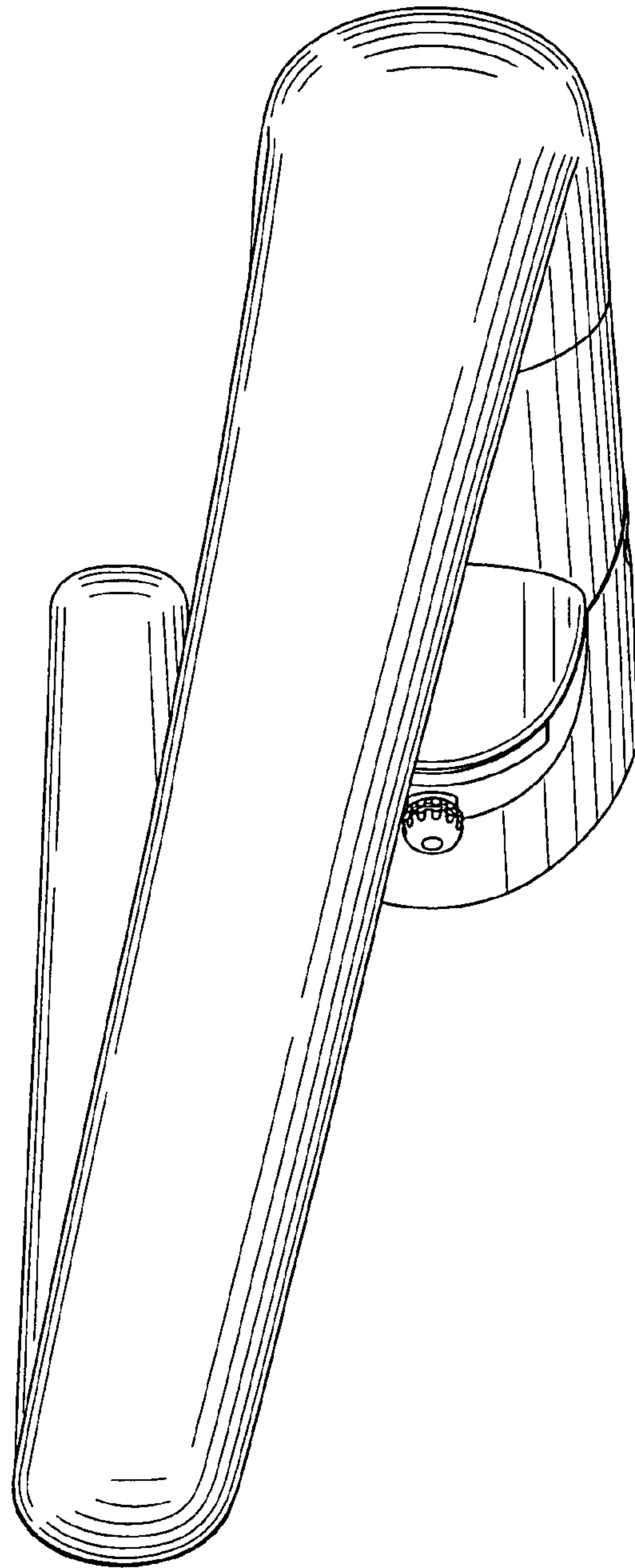


Fig.6

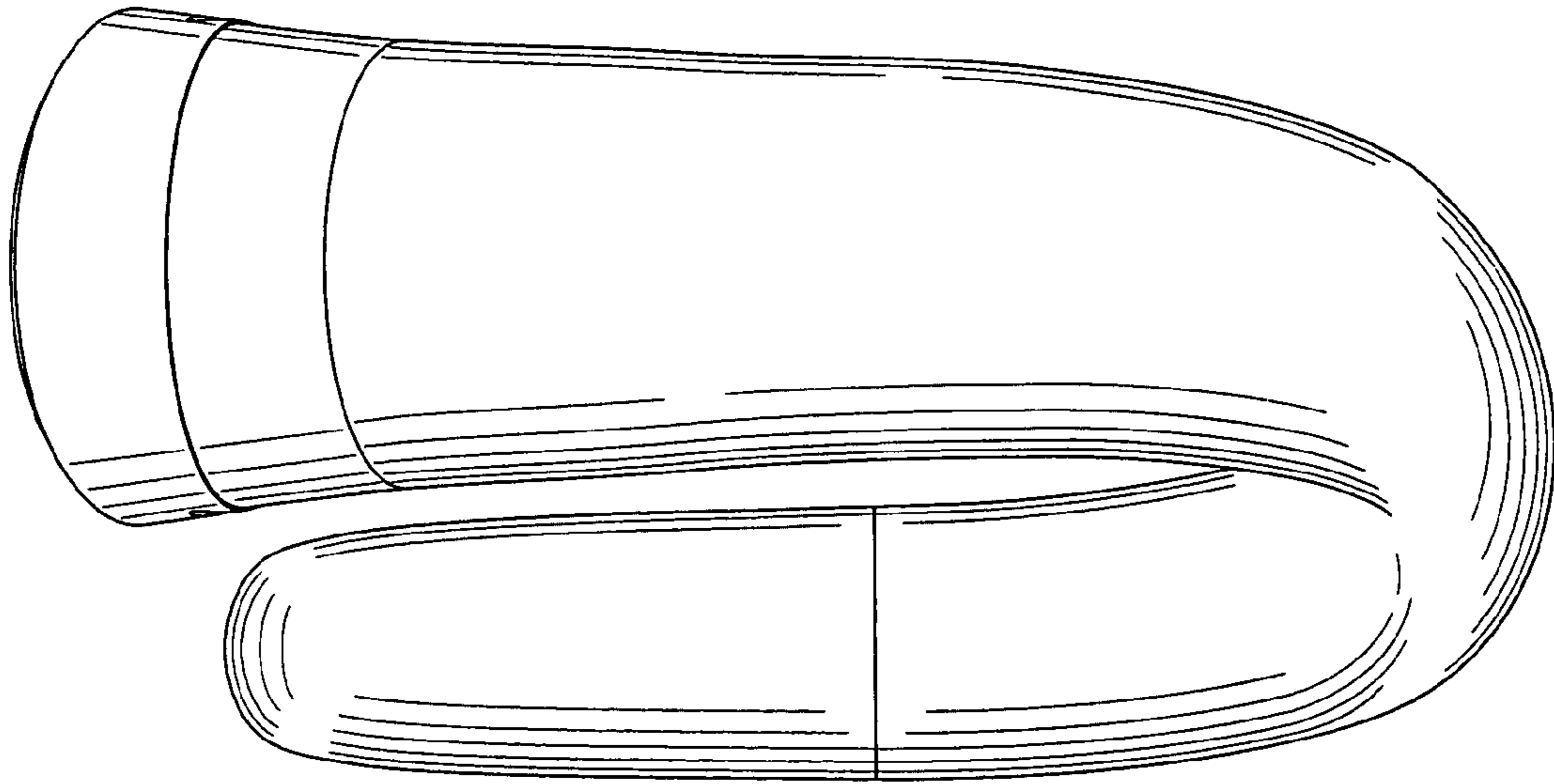


Fig.7

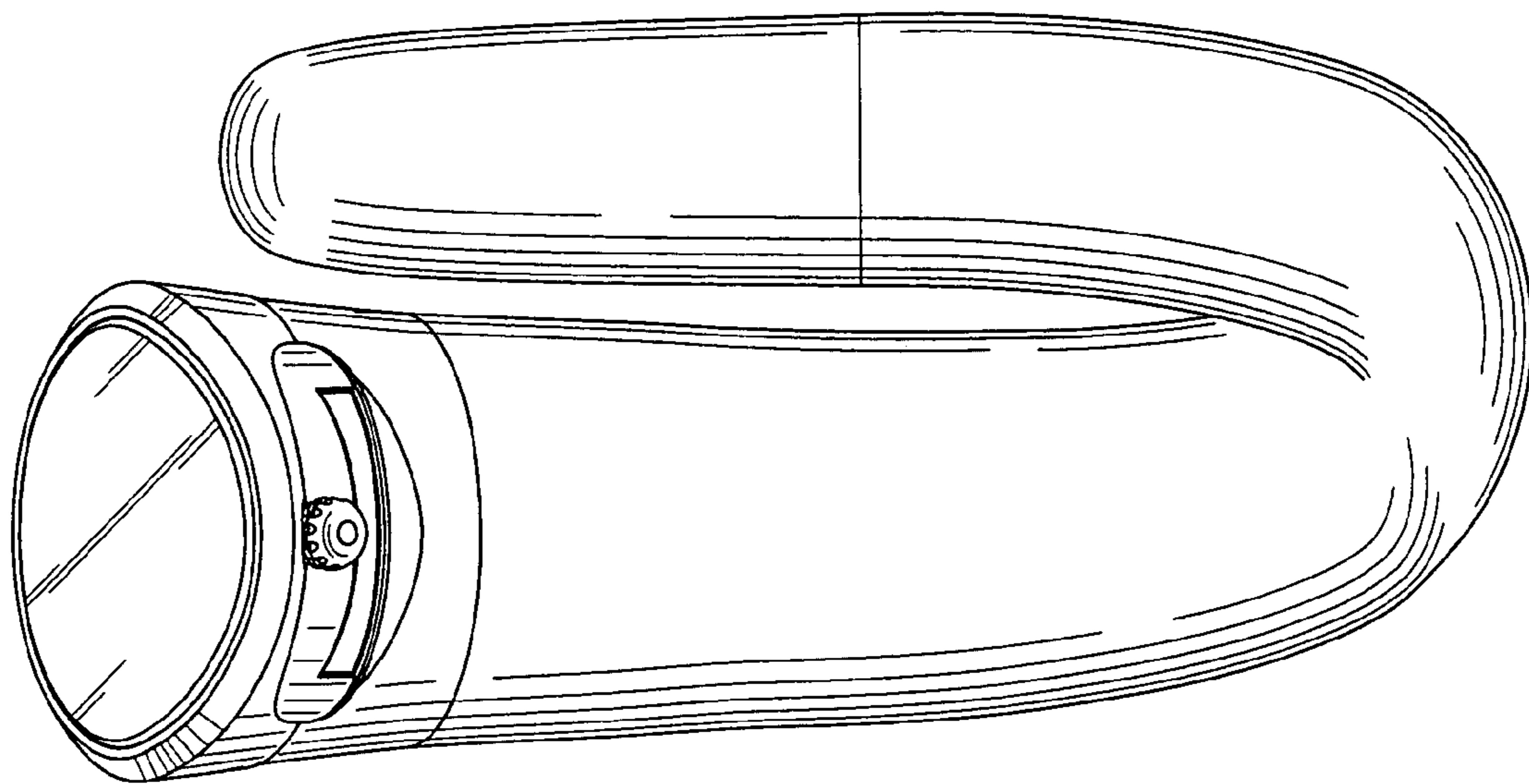


Fig.8

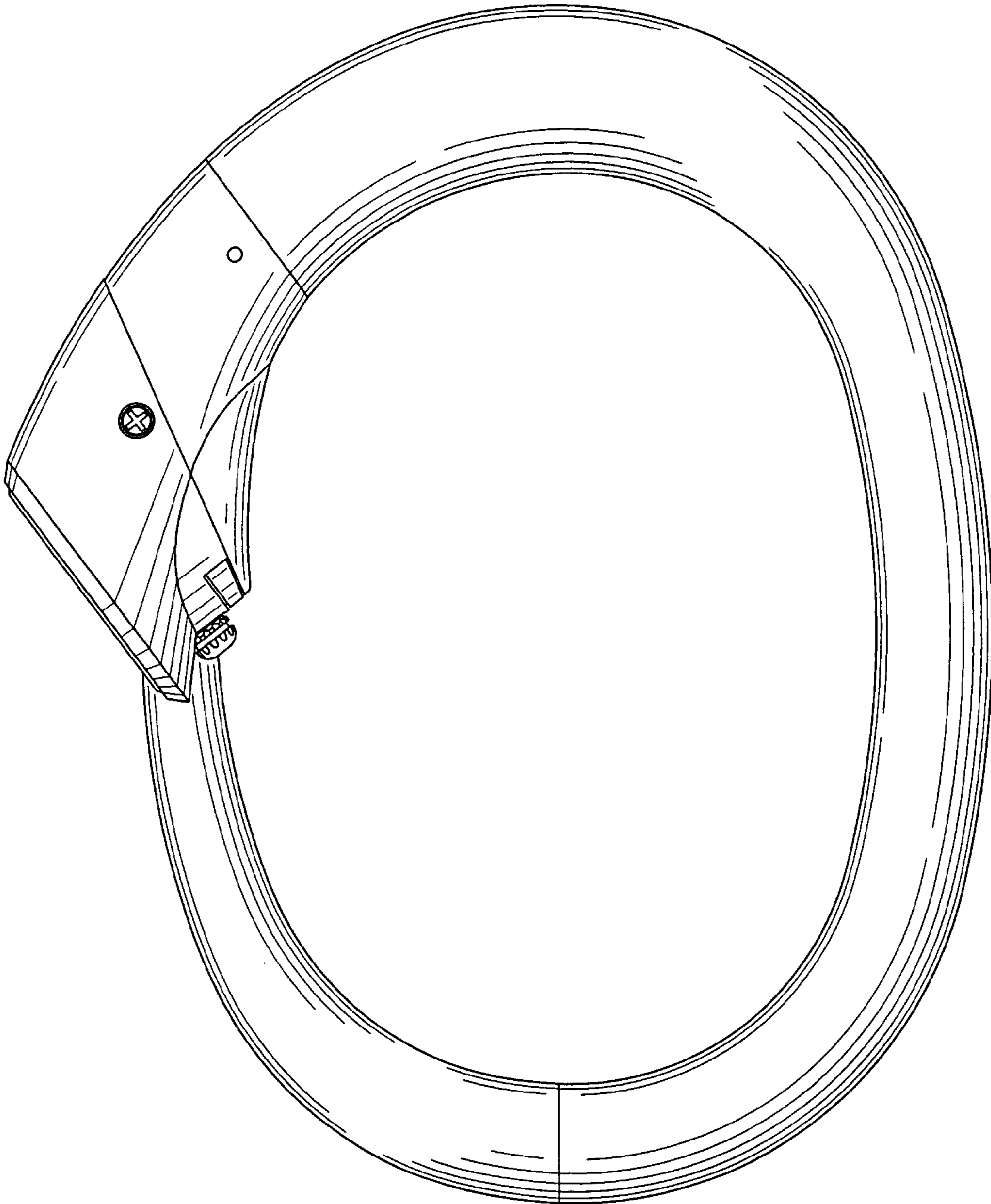


Fig.9

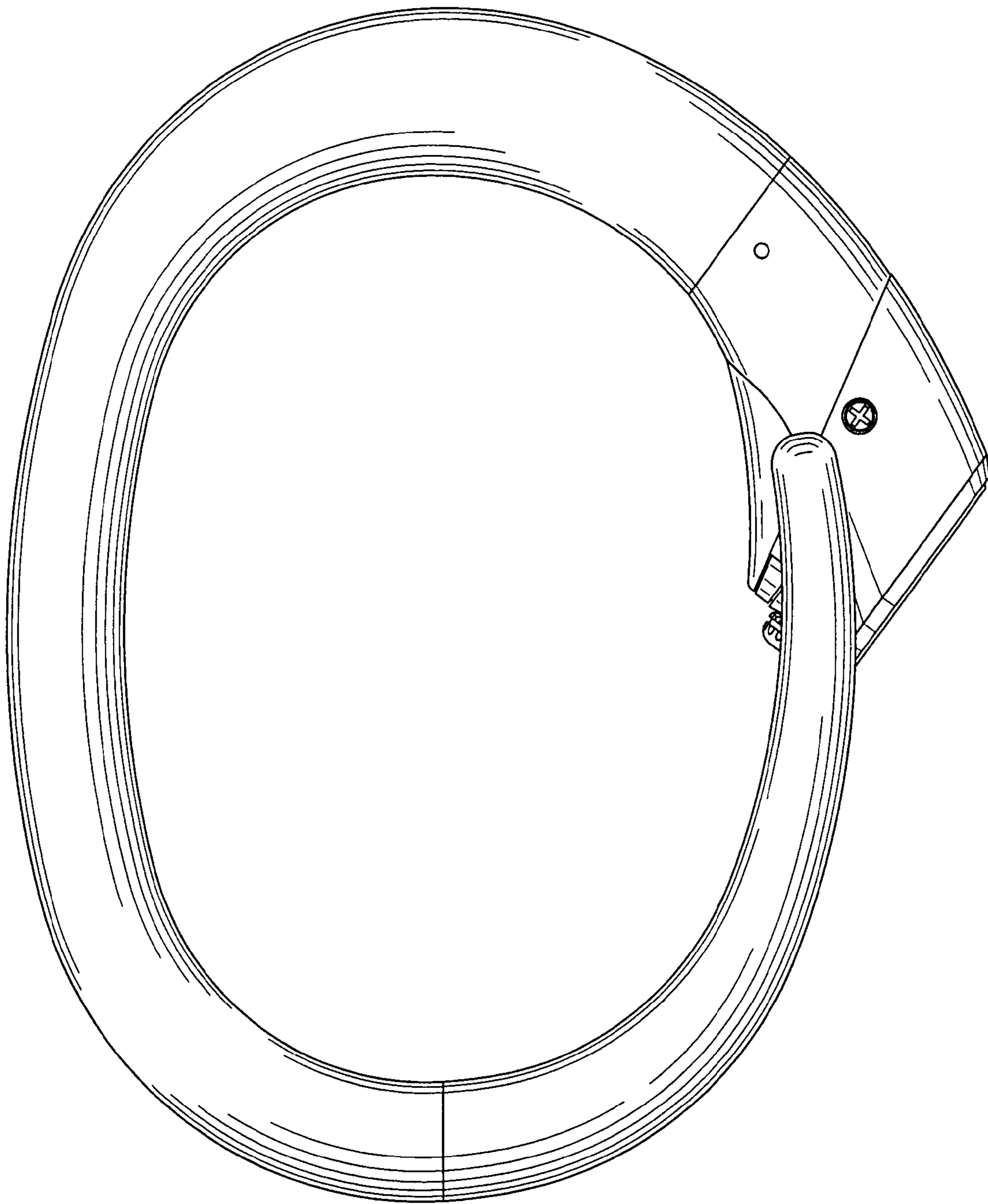


Fig.10

