



US00D567109S

(12) **United States Design Patent**  
**Chan**

(10) **Patent No.: US D567,109 S**

(45) **Date of Patent: \*\* Apr. 22, 2008**

(54) **CLOCK**

(75) Inventor: **Raymond Chan**, Hong Kong (CN)

(73) Assignee: **IDT Technology Limited**, Kowloon,  
Hong Kong (HK)

(\*\*) Term: **14 Years**

(21) Appl. No.: **29/210,003**

(22) Filed: **Jul. 22, 2004**

(30) **Foreign Application Priority Data**

May 14, 2004 (HK) ..... 0411083

(51) **LOC (8) Cl.** ..... **10-01**

(52) **U.S. Cl.** ..... **D10/15**

(58) **Field of Classification Search** ..... D10/1-4,  
D10/6-8, 10, 15, 16, 21-27, 126; 368/276,  
368/285, 316, 317, 228, 232, 239-242, 10,  
368/179-183; D14/138

See application file for complete search history.

(56) **References Cited**

U.S. PATENT DOCUMENTS

D439,846 S \* 4/2001 Suzuki ..... D10/18

D476,903 S \* 7/2003 Chan ..... D10/15  
D476,904 S \* 7/2003 Chan ..... D10/15  
D489,996 S \* 5/2004 Chan ..... D10/15  
D491,072 S \* 6/2004 Chan ..... D10/15

\* cited by examiner

*Primary Examiner*—Robert M. Spear

*Assistant Examiner*—George D Kirschbaum

(74) *Attorney, Agent, or Firm*—Alix, Yale & Ristas, LLP

(57) **CLAIM**

The ornamental design for a clock, as shown and described.

**DESCRIPTION**

FIG. 1 is a front elevational view of a clock showing my new design;

FIG. 2 is a top plan view thereof;

FIG. 3 is a left side elevational view thereof;

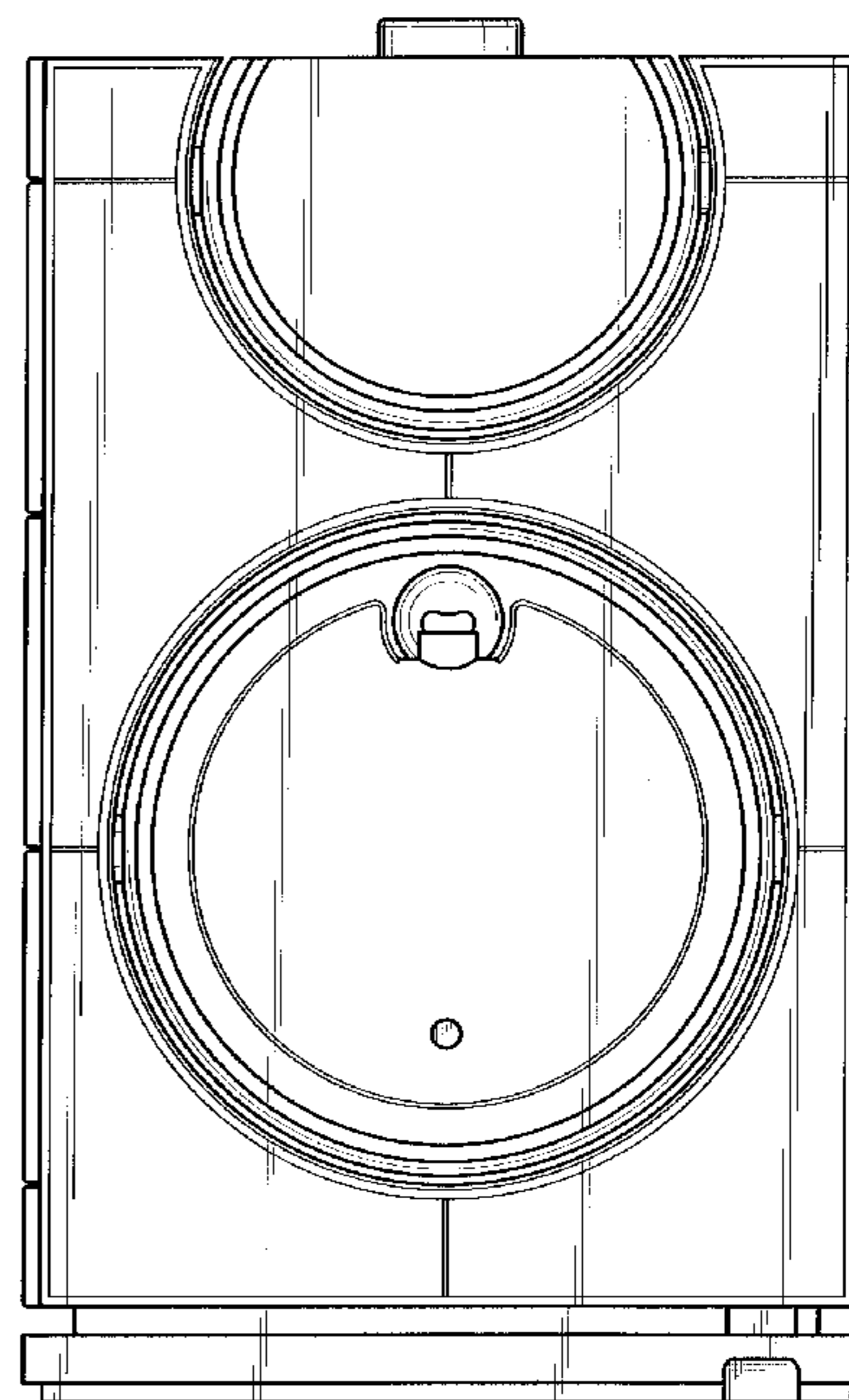
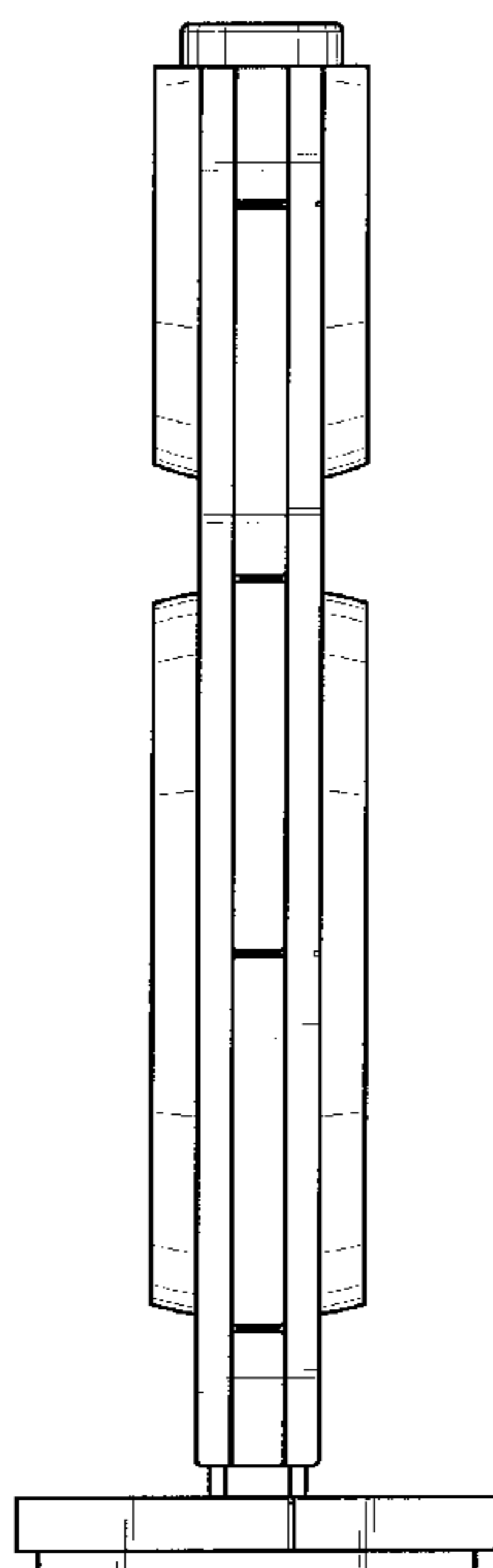
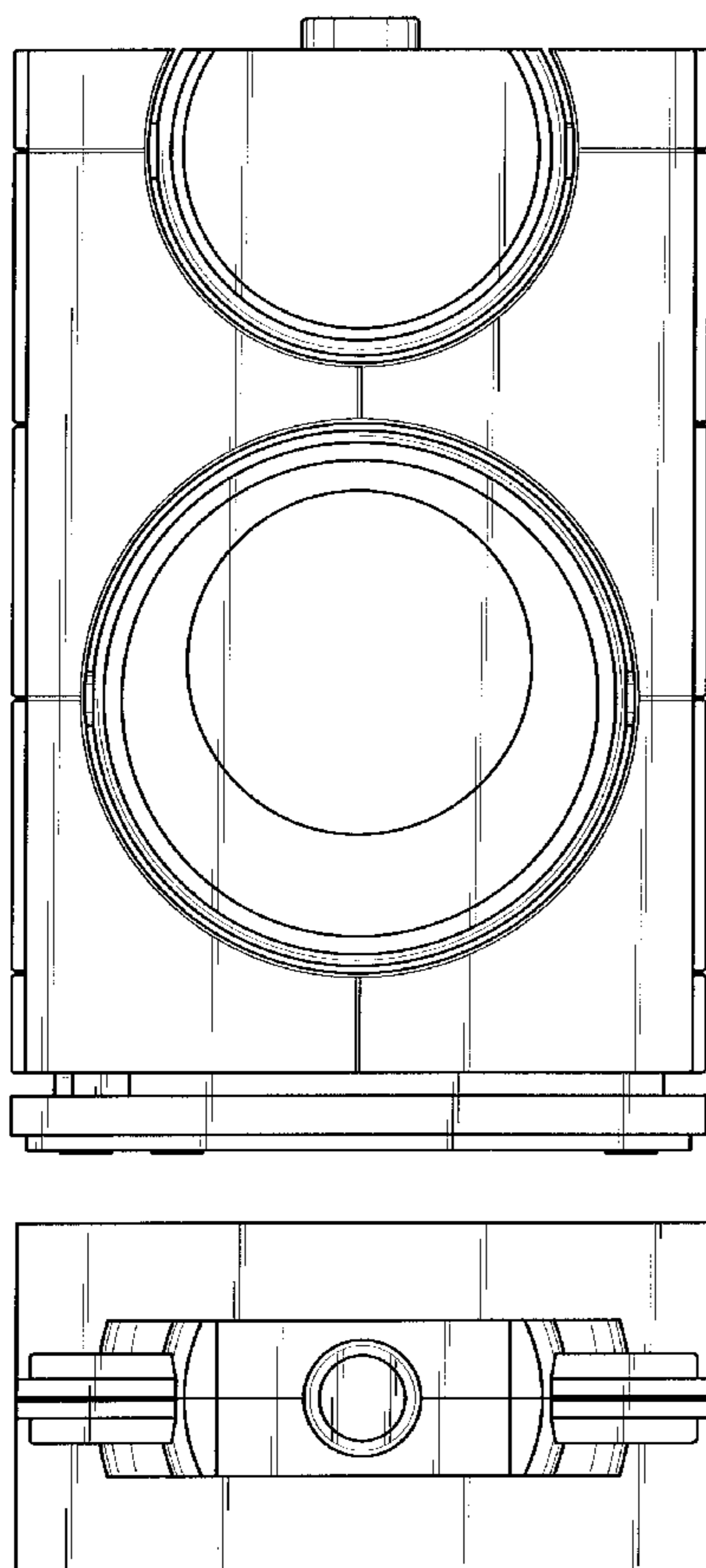
FIG. 4 is a right side elevational view thereof;

FIG. 5 is a rear elevational view thereof; and,

FIG. 6 is a bottom plan view thereof; and,

FIG. 7 is a perspective view thereof.

**1 Claim, 3 Drawing Sheets**



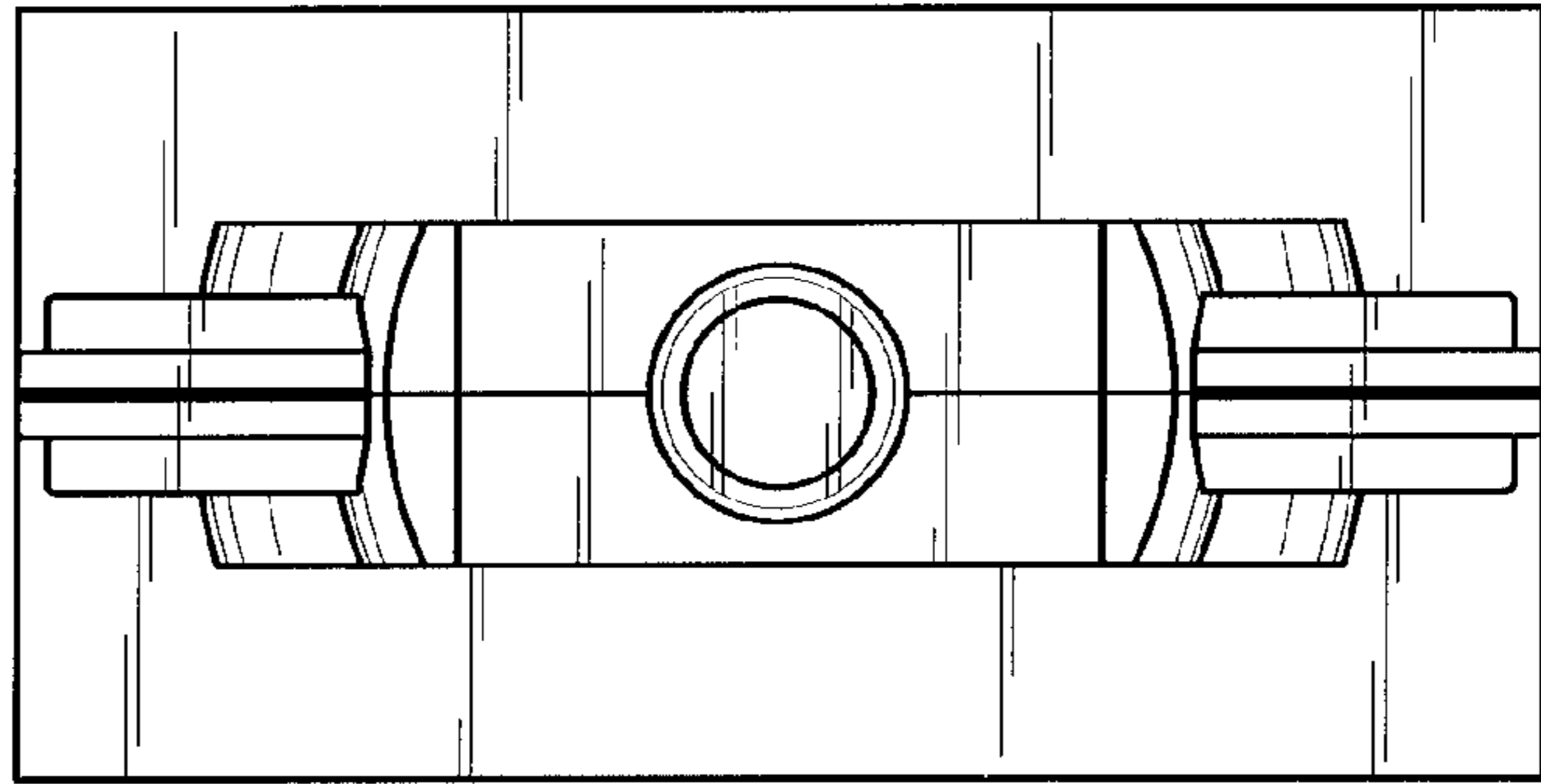


FIG. 2

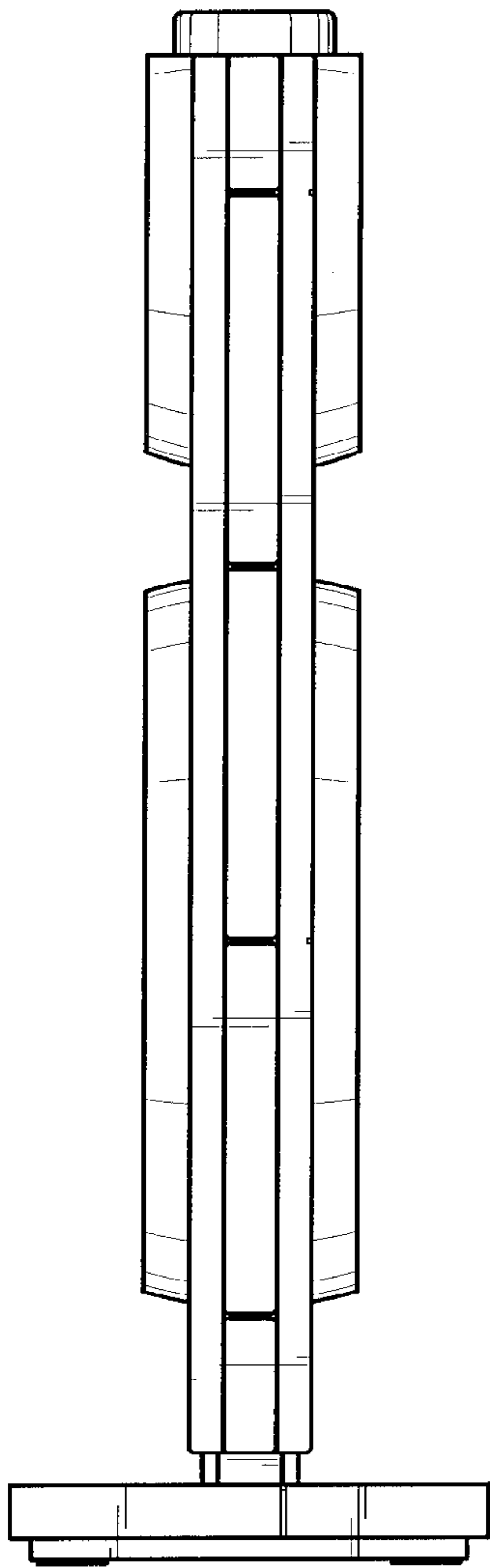


FIG. 3

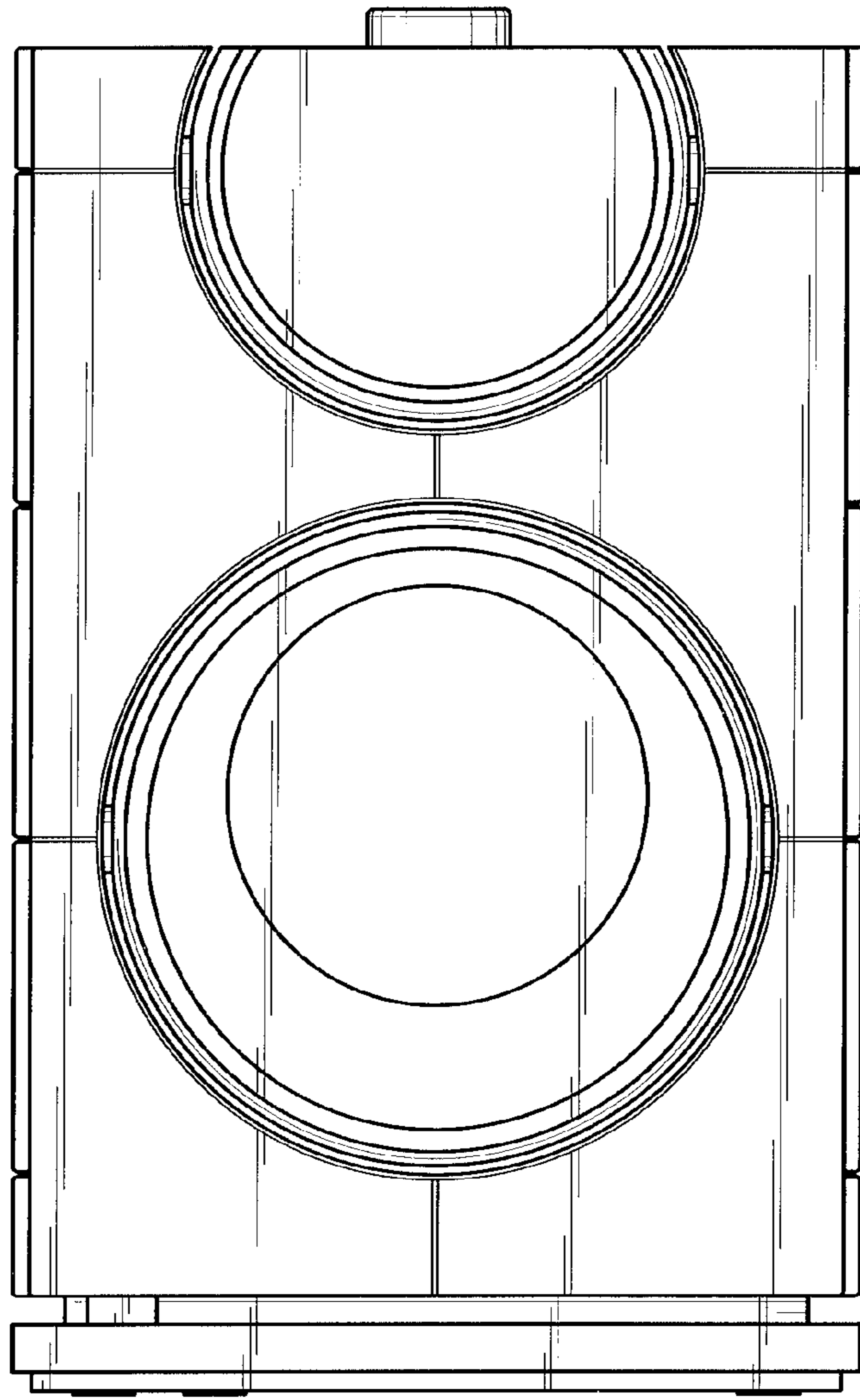


FIG. 1

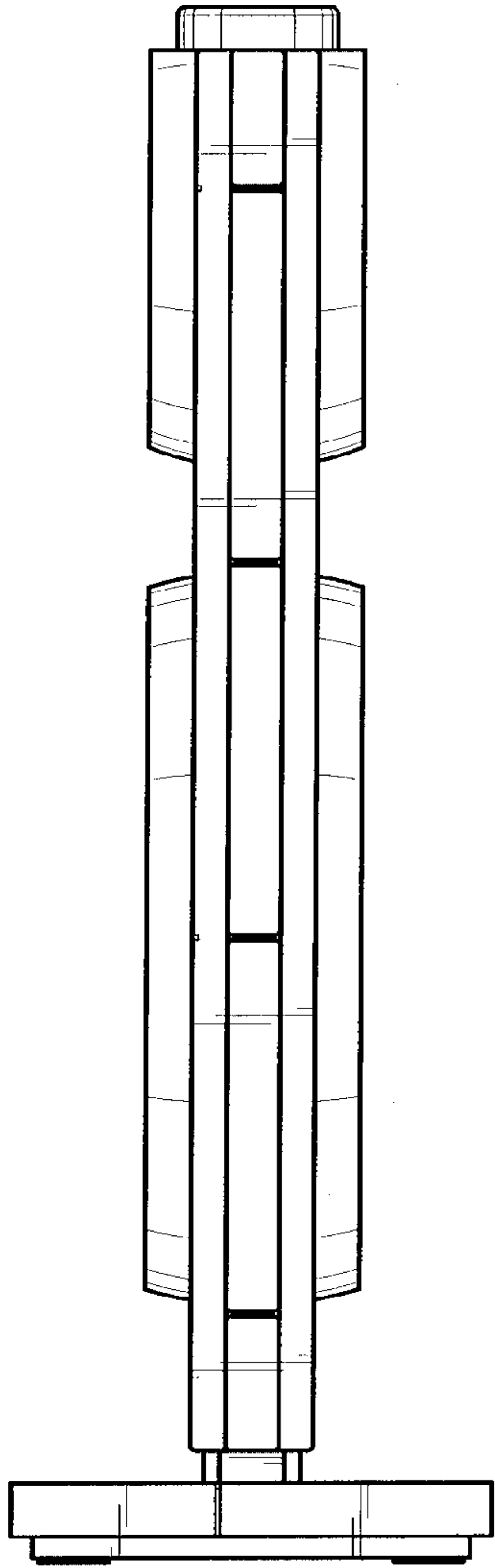


FIG. 4

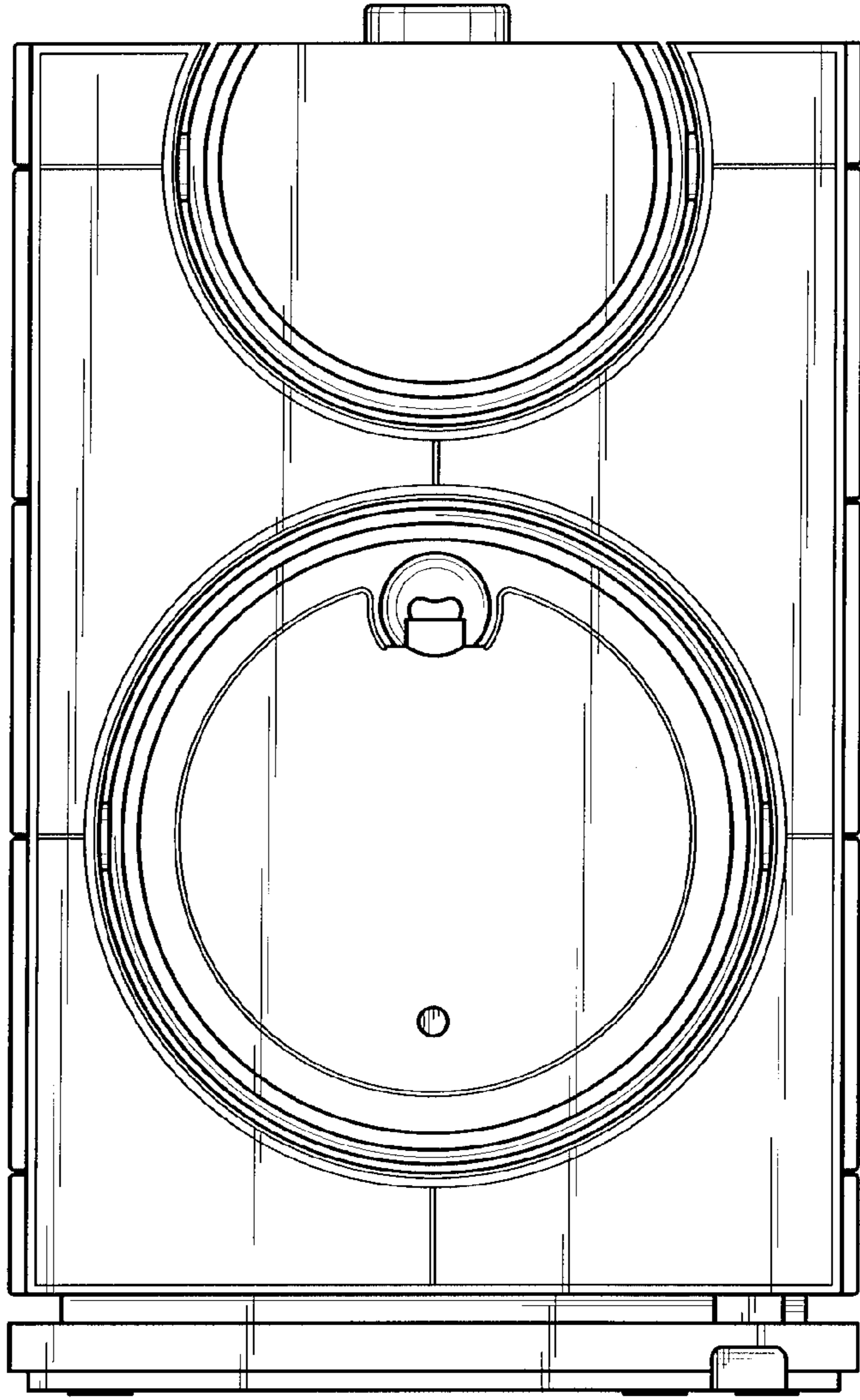


FIG. 5

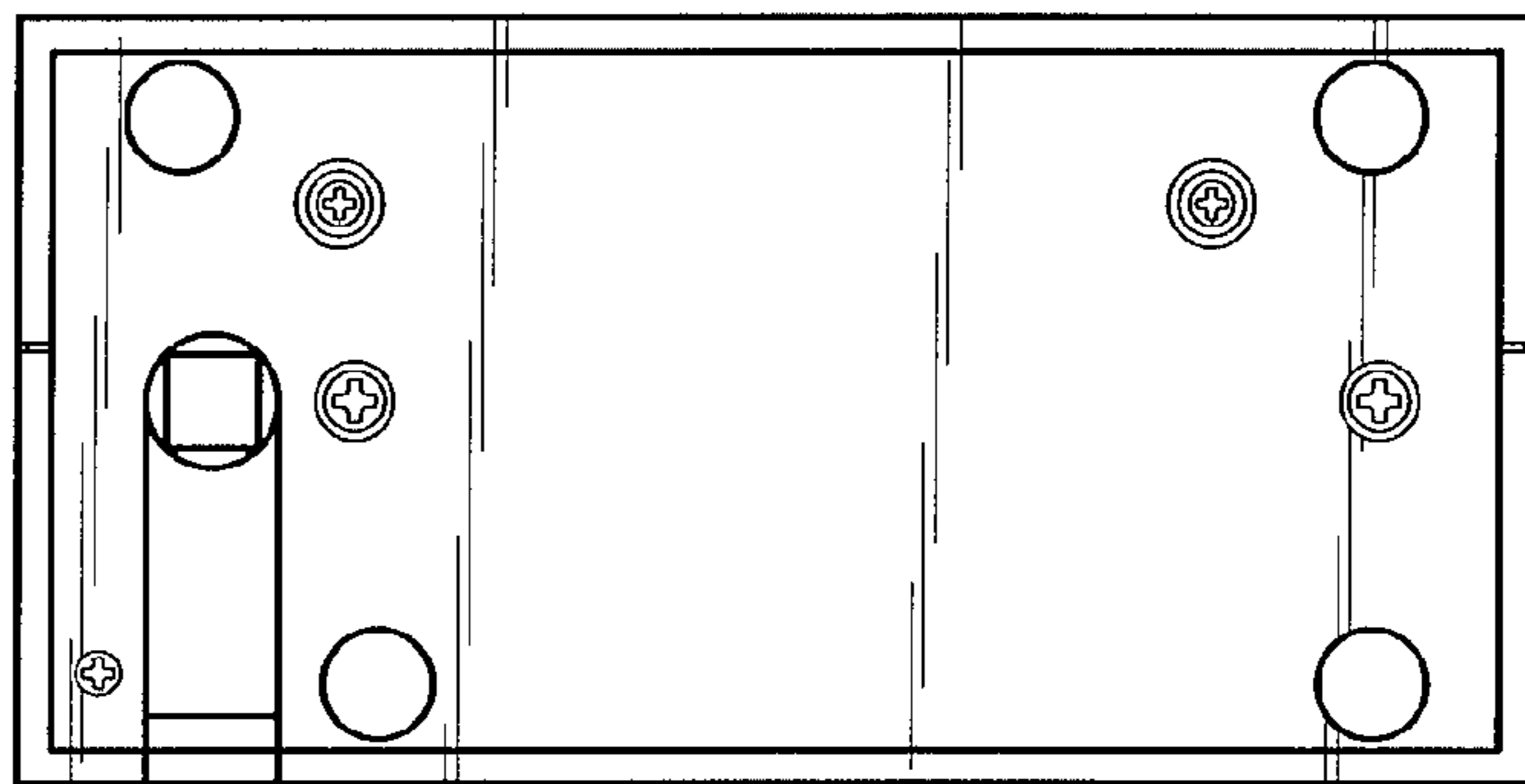


FIG. 6

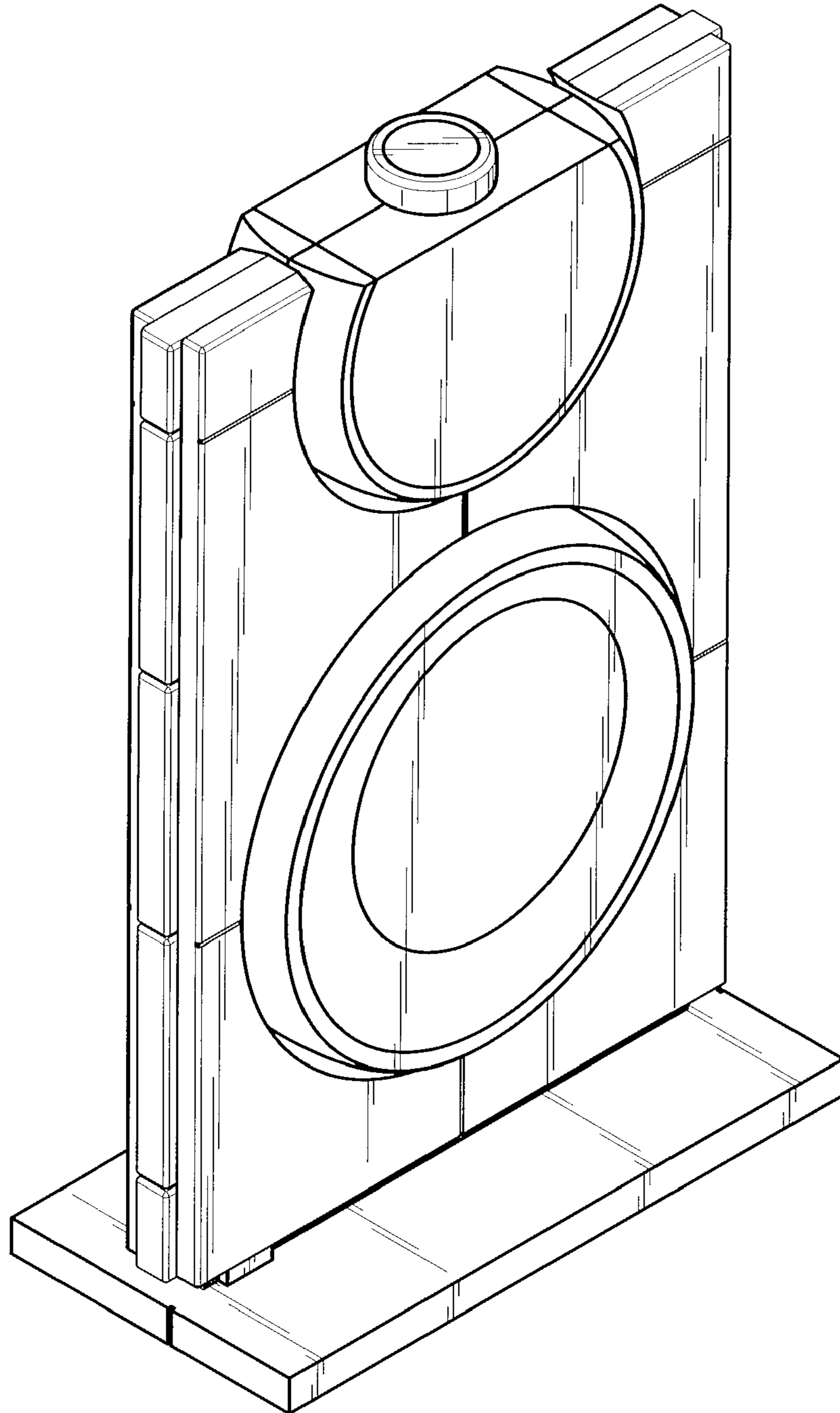


FIG. 7