



US00D567108S

(12) **United States Design Patent**
Chang

(10) **Patent No.:** **US D567,108 S**

(45) **Date of Patent:** **** Apr. 22, 2008**

(54) **SPINNING CLOCK WITH PHOTO FRAME**

(76) Inventor: **Eddie Chang**, Unit C, 2/F Leroy Plaza,
15 Cheung Shun Street, Cheung Sha
Wan, Kowloon (HK)

(**) Term: **14 Years**

(21) Appl. No.: **29/292,079**

(22) Filed: **Sep. 27, 2007**

(30) **Foreign Application Priority Data**

Apr. 2, 2007 (HK) 0700886.5M004

(51) **LOC (8) Cl.** **10-01**

(52) **U.S. Cl.** **D10/2; D10/23**

(58) **Field of Classification Search** D10/1-29;
368/10, 278, 276, 277, 285, 316, 317; D6/309,
D6/310, 312

See application file for complete search history.

(56) **References Cited**

U.S. PATENT DOCUMENTS

1,358,642	A	*	11/1920	Lague	248/115
D146,364	S	*	2/1947	Kalil	D6/309
D200,139	S	*	1/1965	O'Brien	D6/309
D309,572	S	*	7/1990	Suzuki	D10/18
D320,163	S	*	9/1991	Dingelstad et al.	D10/18
D333,271	S	*	2/1993	Erlichman	D10/2
D337,529	S	*	7/1993	Shimamura	D10/18
D359,241	S	*	6/1995	Ling	D10/18
D361,519	S	*	8/1995	Inora	D10/18
D397,943	S	*	9/1998	Levinger	D10/18

D410,393	S	*	6/1999	Hanig	D10/18
D486,964	S	*	2/2004	Prince et al.	D6/310
D512,653	S	*	12/2005	Chan	D10/15
D518,740	S	*	4/2006	Suzuki	D10/18
D531,058	S	*	10/2006	Bhavnani	D10/1
7,137,733	B2	*	11/2006	Suzuki	368/316

* cited by examiner

Primary Examiner—Lucy Lieberman

(74) *Attorney, Agent, or Firm*—Robert M. Downey PA

(57) **CLAIM**

The ornamental design for a spinning clock with photo frame, as shown and described.

DESCRIPTION

FIG. 1 is a top front perspective view of a spinning clock with photo frame showing my new design;

FIG. 2 is a front elevational view thereof;

FIG. 3 is a left side elevational view thereof;

FIG. 4 is a rear elevational view thereof;

FIG. 5 is a right side elevational view thereof;

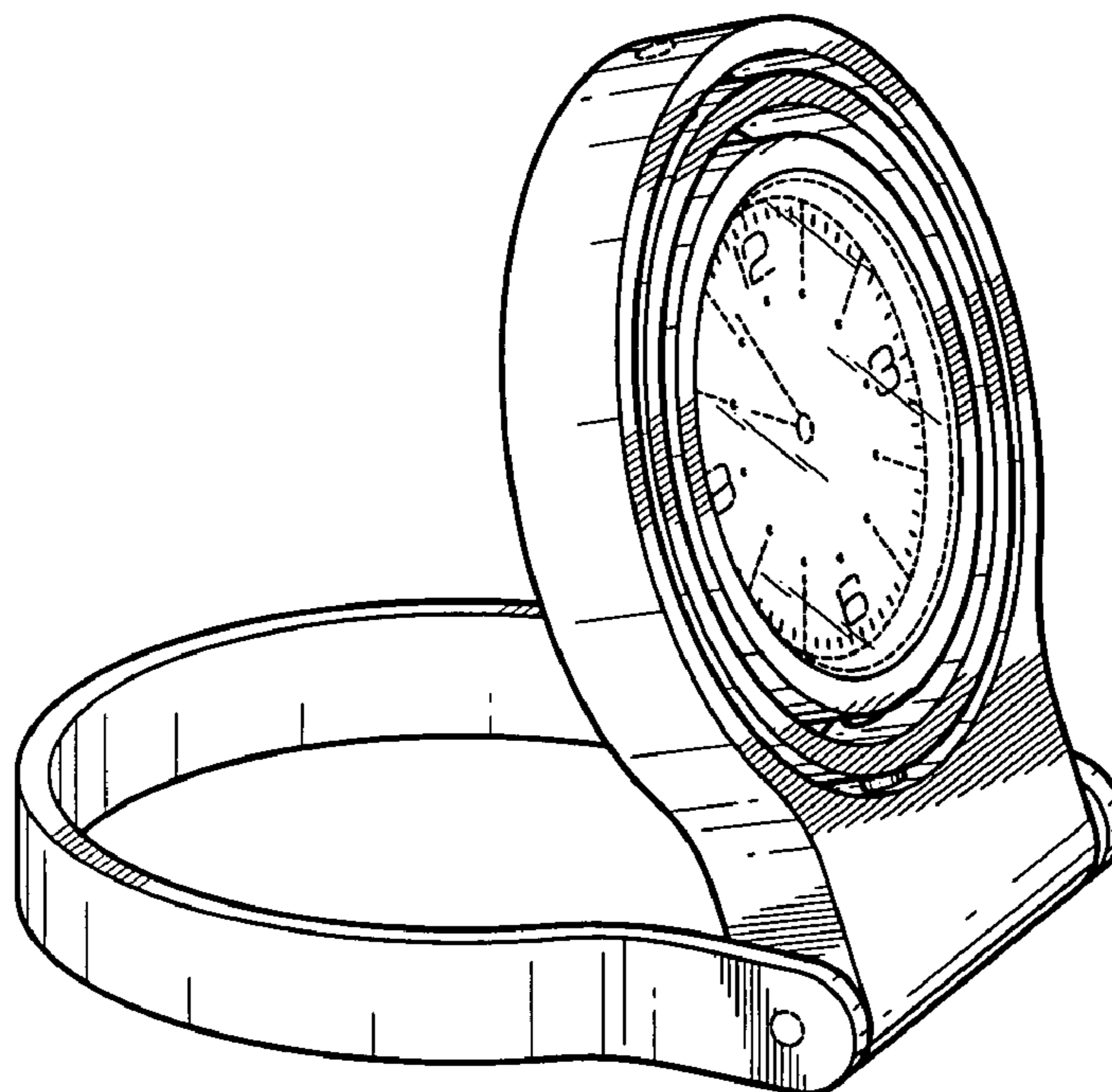
FIG. 6 is a top plan view thereof;

FIG. 7 is a bottom plan view thereof; and,

FIG. 8 is a perspective view with a stand of the spinning clock with photo frame shown in an open position.

The broken lines in the drawings are for illustrative purposes only and do not form part of the claimed design.

1 Claim, 3 Drawing Sheets



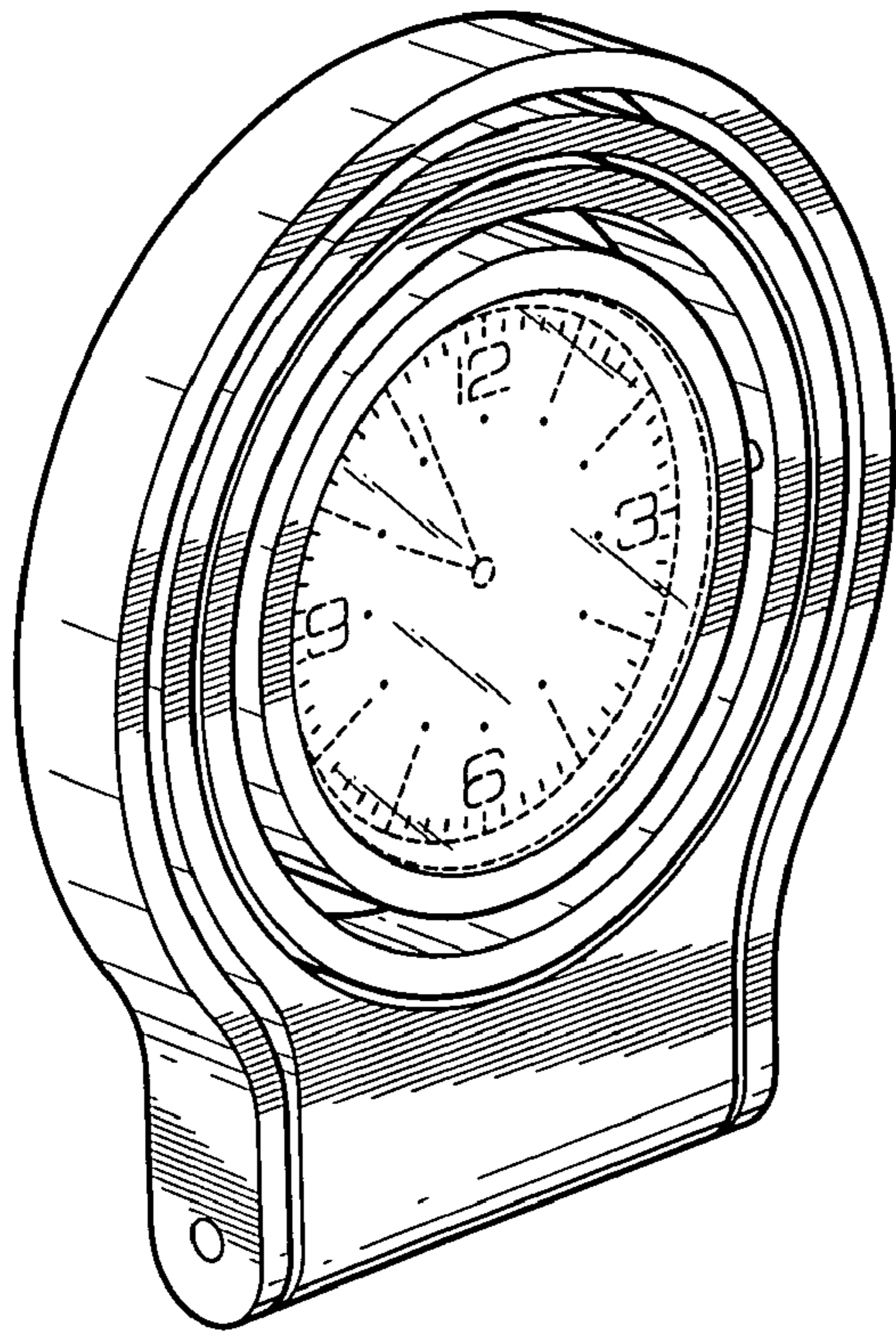


FIG. 1

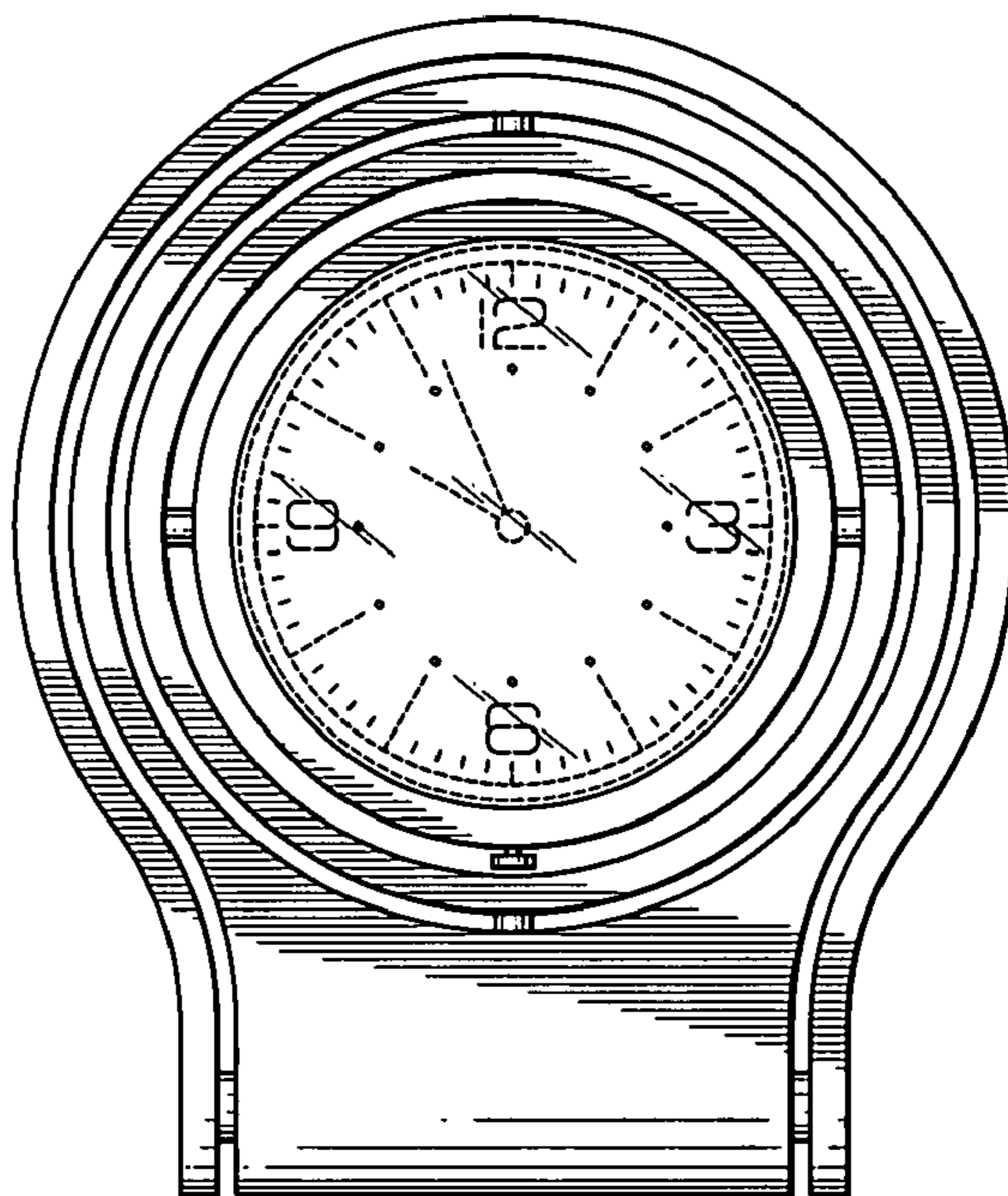


FIG. 2



FIG. 3

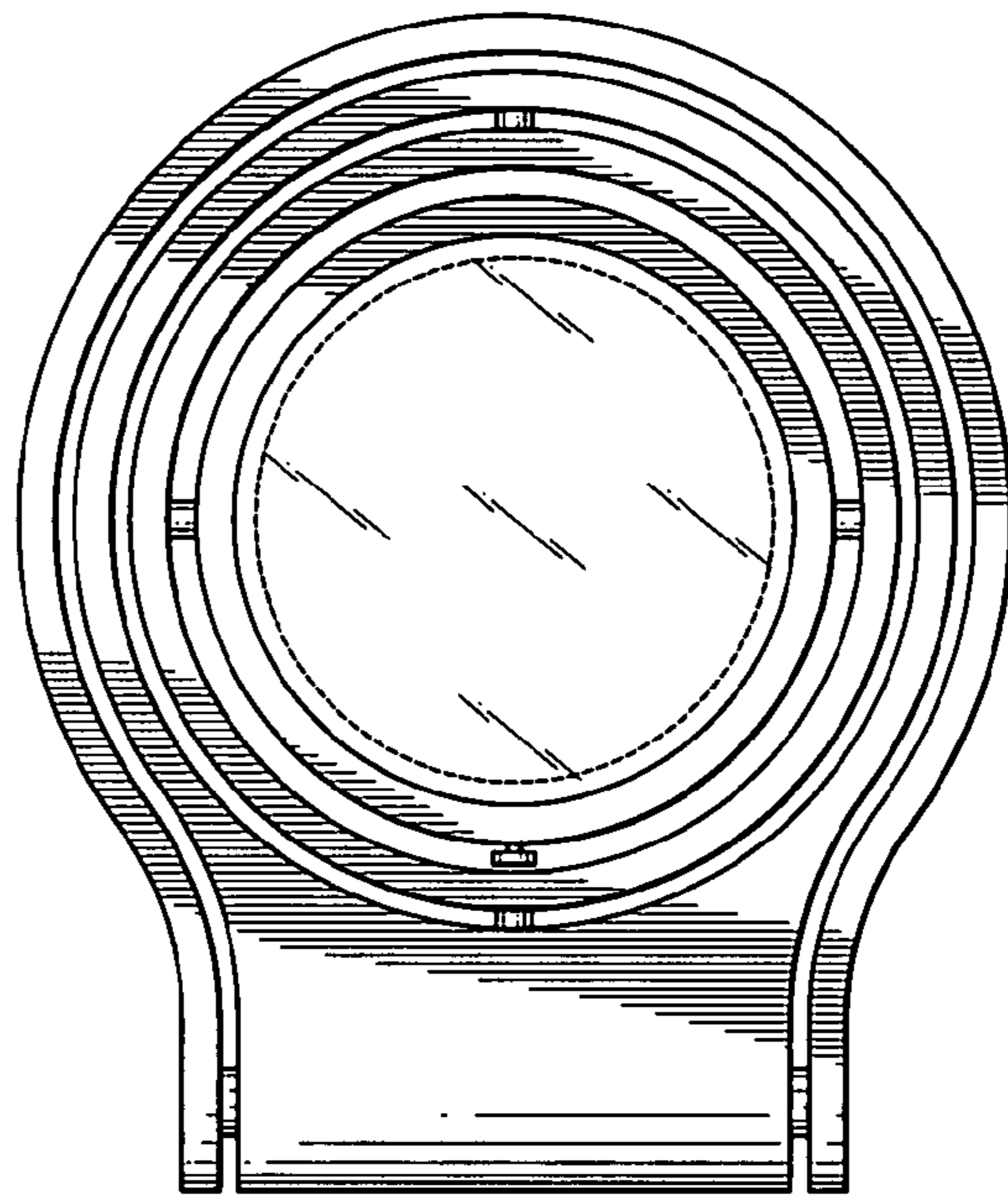


FIG. 4

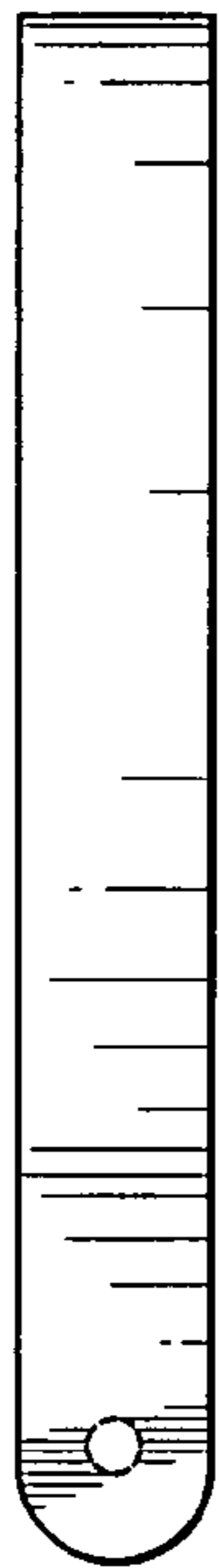


FIG. 5



FIG. 6

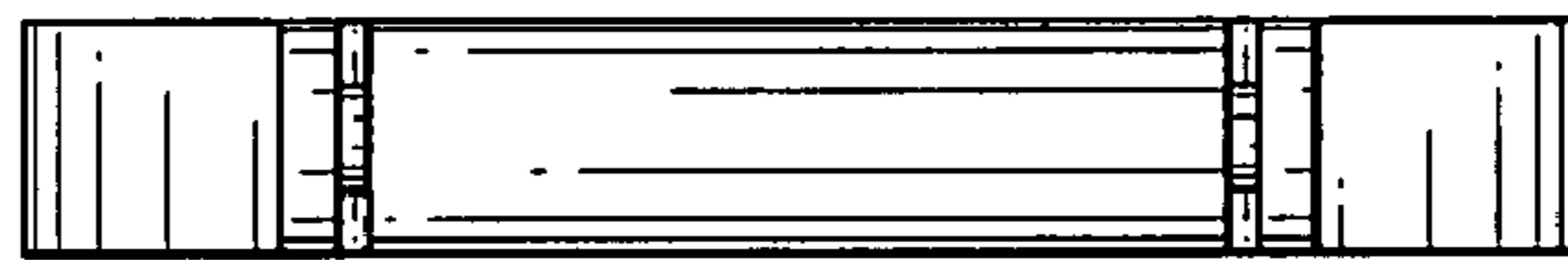


FIG. 7

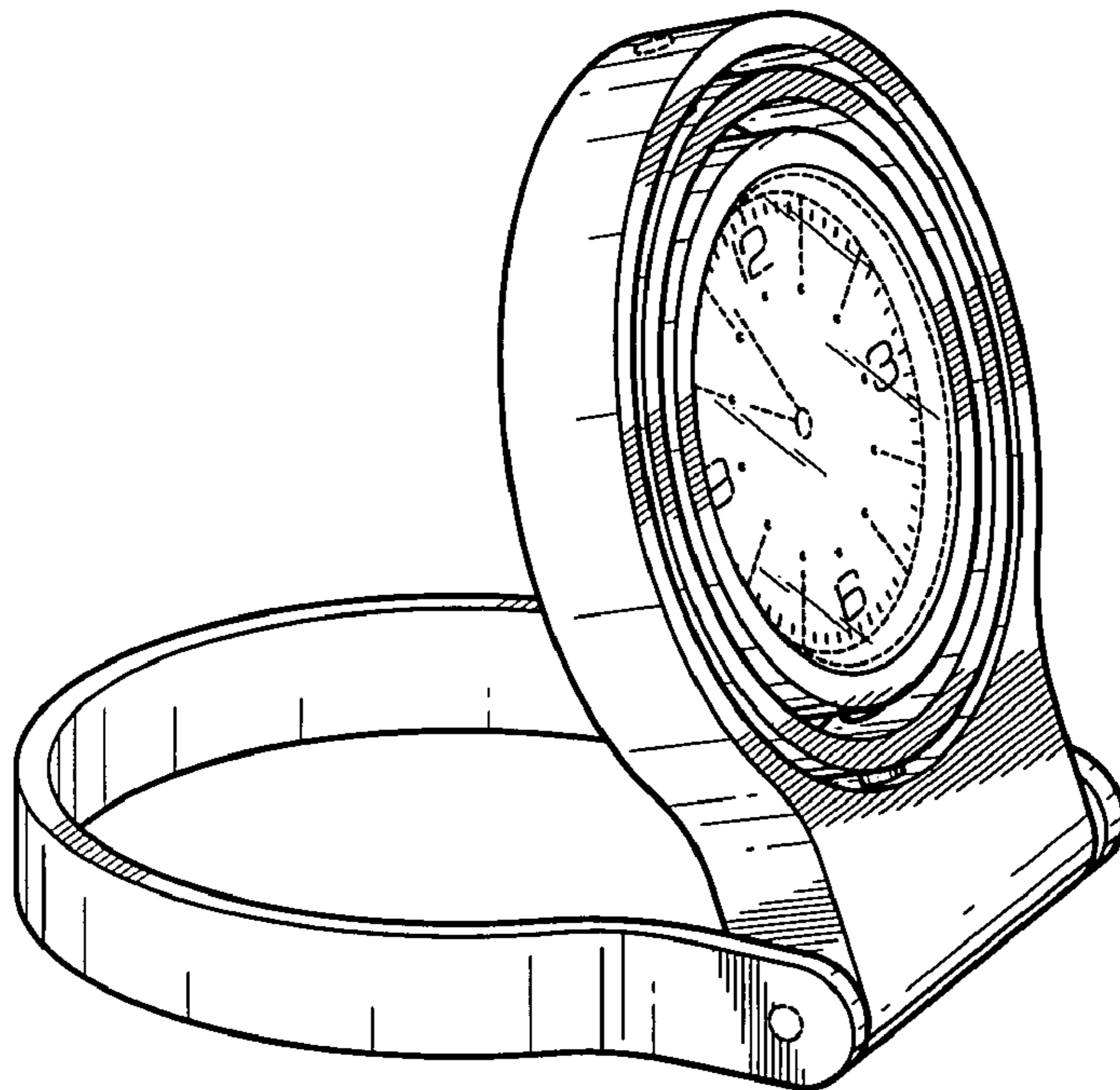


FIG. 8