



US00D567100S

(12) **United States Design Patent**
Liden et al.

(10) **Patent No.:** **US D567,100 S**
(45) **Date of Patent:** **** Apr. 22, 2008**

(54) **FRAGRANCE BOTTLE AND COVER**

(75) Inventors: **Johan Liden**, New York, NY (US);
James Gager, New York, NY (US)

(73) Assignee: **Christian Casey LLC**, New York, NY
(US)

(**) Term: **14 Years**

(21) Appl. No.: **29/248,648**

(22) Filed: **Aug. 25, 2006**

(51) **LOC (8) Cl.** **09-01**

(52) **U.S. Cl.** **D9/560; D9/559; D9/546**

(58) **Field of Classification Search** D9/516,
D9/520, 522, 529, 544, 545, 546, 559, 560,
D9/562, 563, 565, 572, 573, 574, 575, 434,
D9/435, 682, 686, 689; 215/381-385, 396,
215/398

See application file for complete search history.

(56) **References Cited**

U.S. PATENT DOCUMENTS

D24,582 S	8/1895	Lowrey	
D25,048 S	1/1896	Sherwood	
1,611,443 A *	12/1926	Hothersall	222/542
D90,558 S *	8/1933	Tricard	D9/560
D92,423 S	6/1934	Piazzoli	
D105,396 S	7/1937	McIntosh	
D105,808 S	8/1937	Schein	
D113,549 S	2/1939	Chevalier	
D133,415 S *	8/1942	Mayer	D9/560
D145,470 S	8/1946	Sussman	
D149,950 S *	6/1948	Klebanoff	D9/544
D153,054 S	3/1949	Wolfe et al.	
2,641,374 A *	6/1953	Yuen	215/10
D187,395 S *	3/1960	Du Pree	D7/300
3,286,902 A	11/1966	Hunter et al.	
3,346,137 A	10/1967	Ricci	
D234,914 S	4/1975	Morgan	
D234,915 S	4/1975	Freedman	

D259,173 S *	5/1981	Lauren	D9/560
D267,778 S	2/1983	Nagata	
D306,695 S *	3/1990	Smith	D9/563
D313,176 S	12/1990	Okuda et al.	
D323,112 S *	1/1992	San-Wittgenstein	D9/544
D325,345 S *	4/1992	Holland	D9/544
D345,698 S	4/1994	Gobe	
D356,947 S	4/1995	Mueller	
5,529,417 A *	6/1996	Burrlander	401/129
D395,605 S	6/1998	Kokenge	
D397,040 S *	8/1998	Bakic	D9/574
5,823,391 A	10/1998	Klauke et al.	
D405,015 S *	2/1999	Kotyuk	D9/573
D425,794 S *	5/2000	Grossnickle	D9/520
D427,075 S	6/2000	Gavin	
D427,516 S *	7/2000	Legros	D9/632
D428,577 S *	7/2000	Shanahan	D9/544
D434,645 S	12/2000	Adachi et al.	
D442,868 S	5/2001	Gavin	
D448,867 S	10/2001	Manocheo et al.	
D451,812 S	12/2001	Colonna de Giovellina	
D471,108 S	3/2003	Calderone, Jr.	
D481,640 S *	11/2003	Biesecker	D9/560
D481,957 S *	11/2003	Modjeski	D9/560
D488,070 S	4/2004	Yourist	
D497,553 S	10/2004	Mitchell	
D512,920 S	12/2005	Kim	
D535,104 S *	1/2007	Chen	D4/116
D551,560 S *	9/2007	De Baschmakoff	D9/558
D555,002 S *	11/2007	Lloyd et al.	D9/544

OTHER PUBLICATIONS

Women's Wear Daily; The Retailer's Daily Newspaper; vol. 190; No. 43; pages Cover-3; Fairchild Publications, Inc.; Aug. 26, 2005.

* cited by examiner

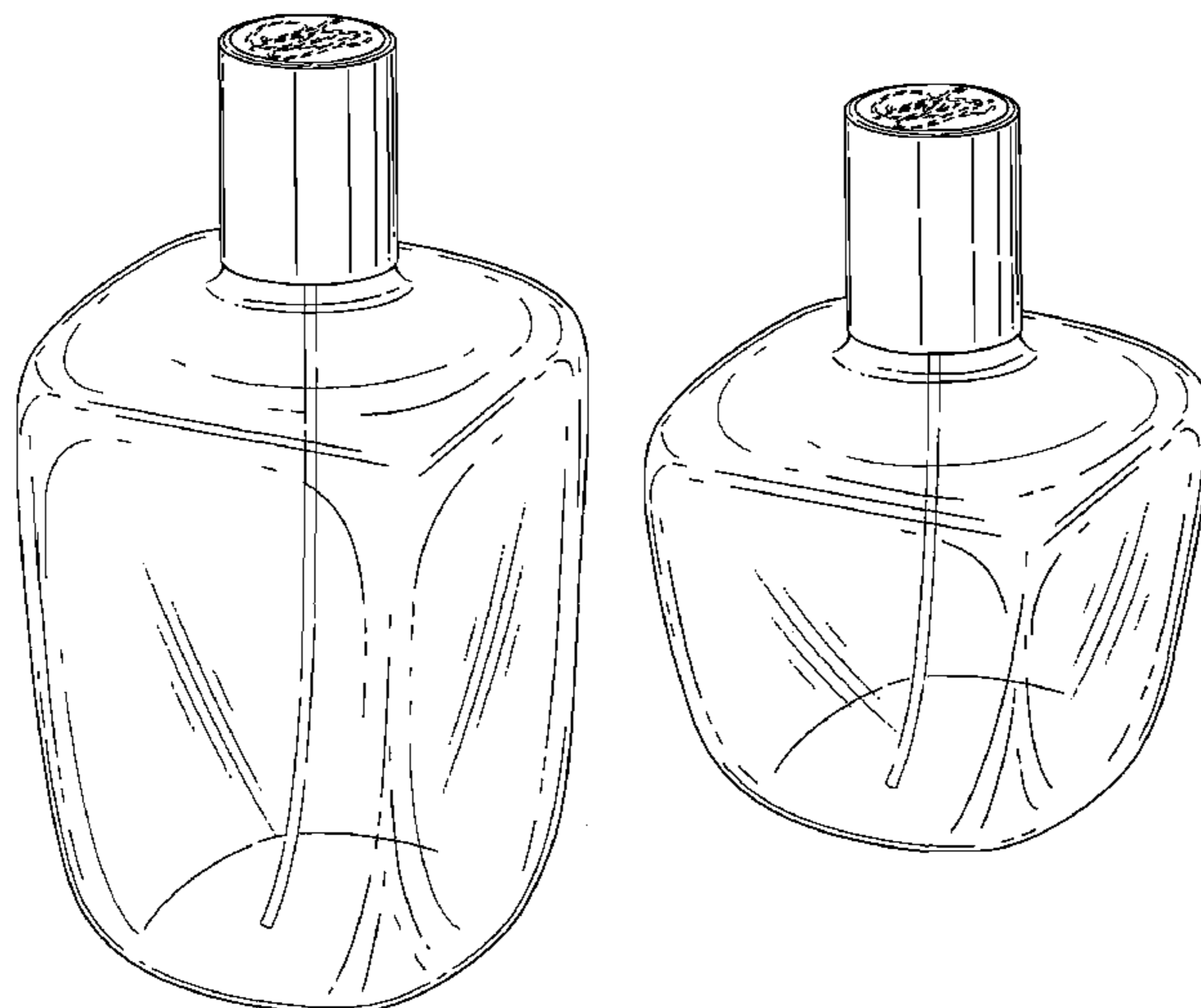
Primary Examiner—Stella M. Reid

Assistant Examiner—Elizabeth J Oswecki

(74) *Attorney, Agent, or Firm*—Cynthia R. Miller

(57) **CLAIM**

The ornamental design for a fragrance bottle and cover, substantially as shown and described.



DESCRIPTION

FIG. 1 is a top, front and right side perspective view of a first embodiment of a fragrance bottle and cover showing our new design;

FIG. 2 is a front elevation view thereof, the rear and side elevation views being identical;

FIG. 3 is a top plan view thereof;

FIG. 4 is a bottom plan view thereof;

FIG. 5 is a top, front and right side perspective view of a second embodiment of a fragrance bottle and cover showing my new design;

FIG. 6 is a front elevation view thereof, rear and side elevation views being identical;

FIG. 7 is a top plan view thereof; and

FIG. 8 is a bottom plan view thereof;

FIG. 9 is a top, front and right side perspective view of a first embodiment of a cover and a boot for a fragrance bottle, the cover being shown separated from the boot;

FIG. 10 is a bottom, front and right side perspective view of the cover and the boot for a fragrance bottle shown in FIG. 9;

FIG. 11 is a front elevation view of the cover and the boot for a fragrance bottle shown in FIG. 9, rear and side elevation views being identical;

FIG. 12 is a top plan view of the cover and the boot for a fragrance bottle shown in FIG. 9, the bottom plan view being identical;

FIG. 13 is a top, front and right side perspective view of a second embodiment of the cover and the boot for a fragrance bottle, the cover being shown separated from the base;

FIG. 14 is a bottom, front and right side perspective view of the cover and the boot for a fragrance bottle shown in FIG. 13;

FIG. 15 is a front elevation view of the cover and the boot for the fragrance bottle shown in FIG. 13, rear and side elevation views being identical;

FIG. 16 is a top plan view of the cover and the boot for a fragrance bottle shown in FIG. 13, the bottom plan view being identical;

FIG. 17 is a top, front and right side perspective view of the cover and the boot for a fragrance bottle shown in FIG. 9, the cover being shown mounted on the boot;

FIG. 18 is a top, front and right side perspective view of the cover and the boot for a fragrance bottle shown in FIG. 13, the cover being shown mounted on the boot; and,

FIG. 19 is a top, front and right side perspective view of a design for two boots for fragrance bottles, showing the boots interlocked with bottles disposed within the respective boots.

The broken lines shown in the figures are for illustrative purposes only and form no part of the claimed design.

1 Claim, 9 Drawing Sheets

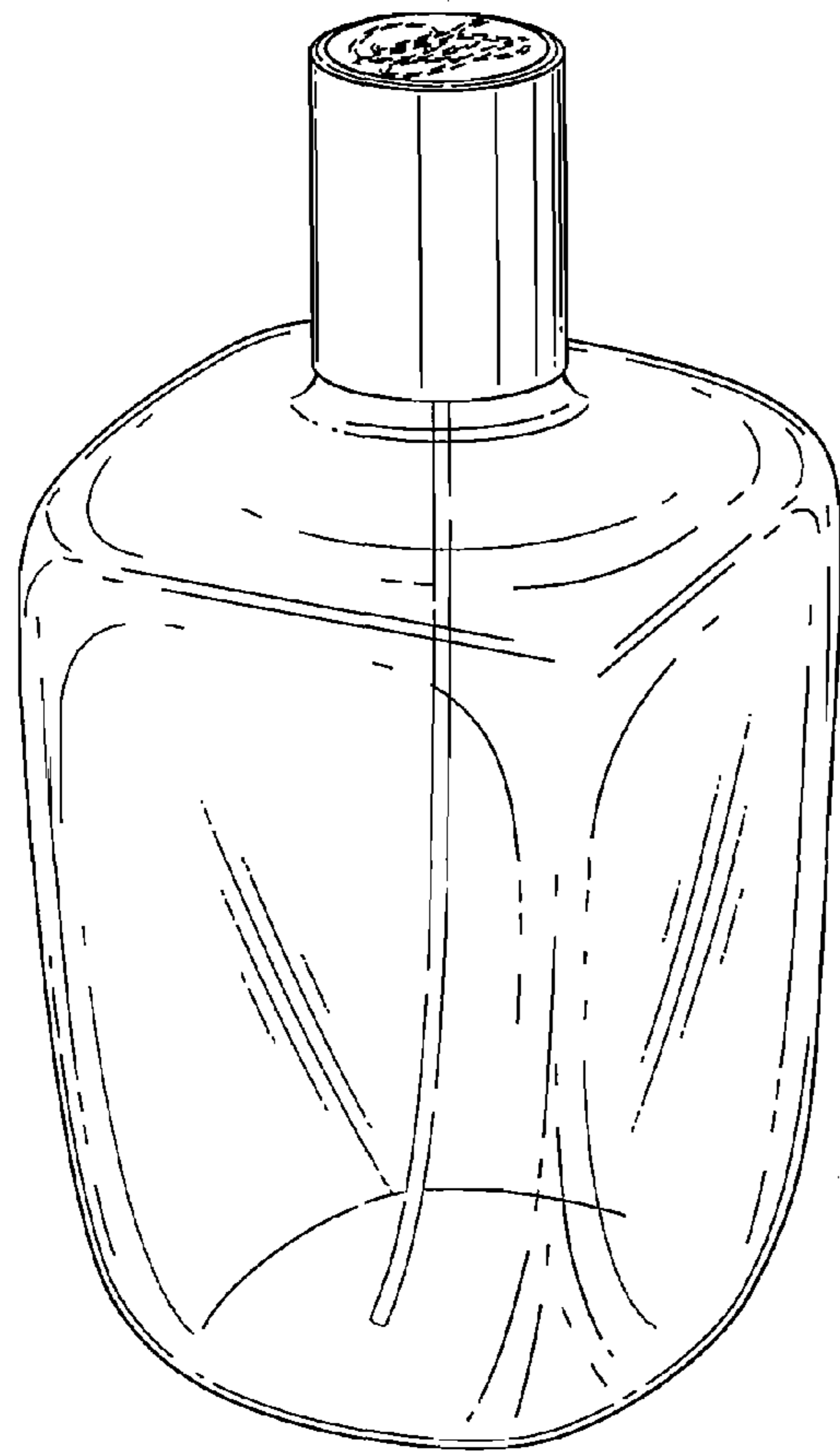


FIG. 1

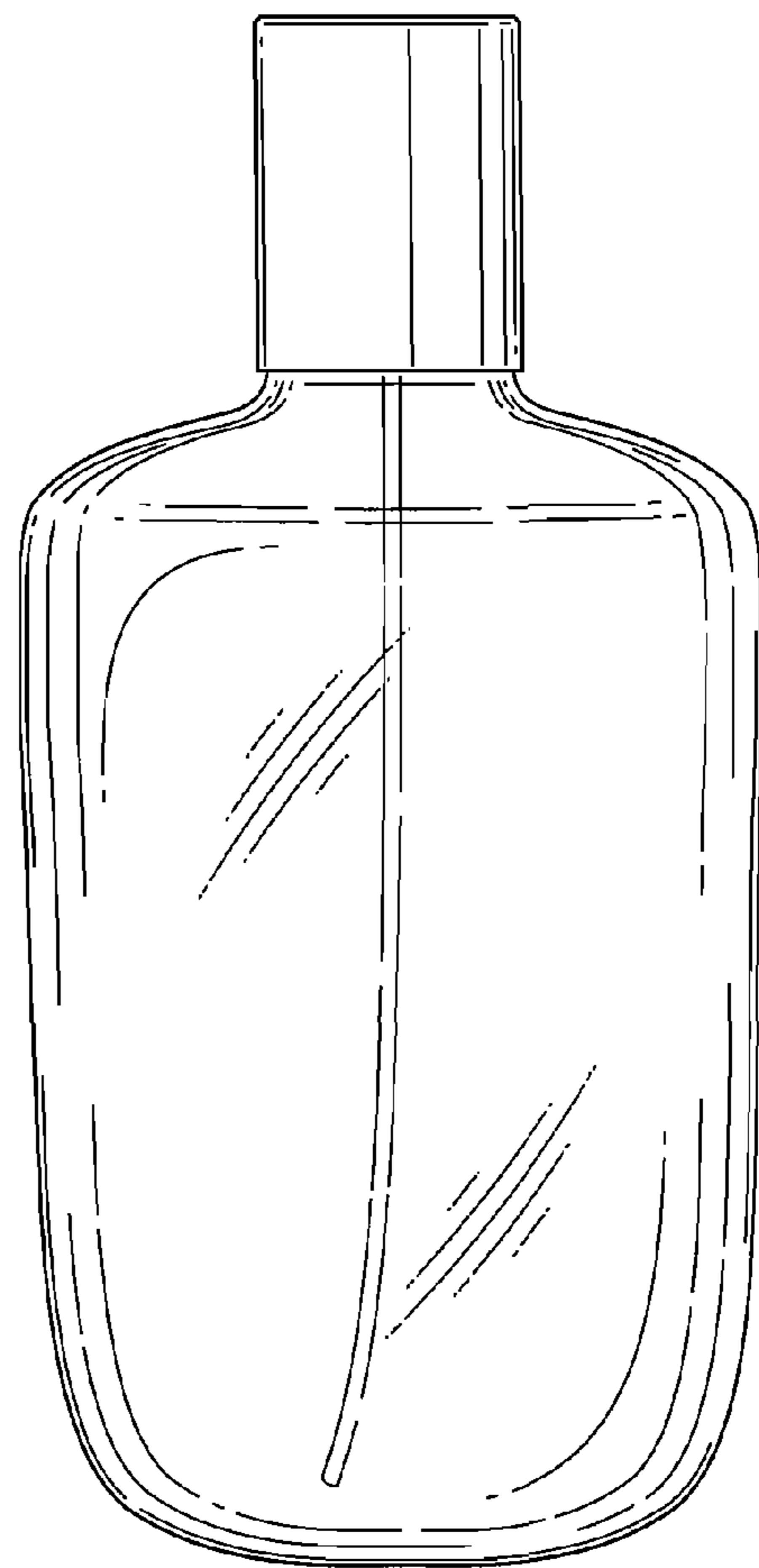


FIG. 2

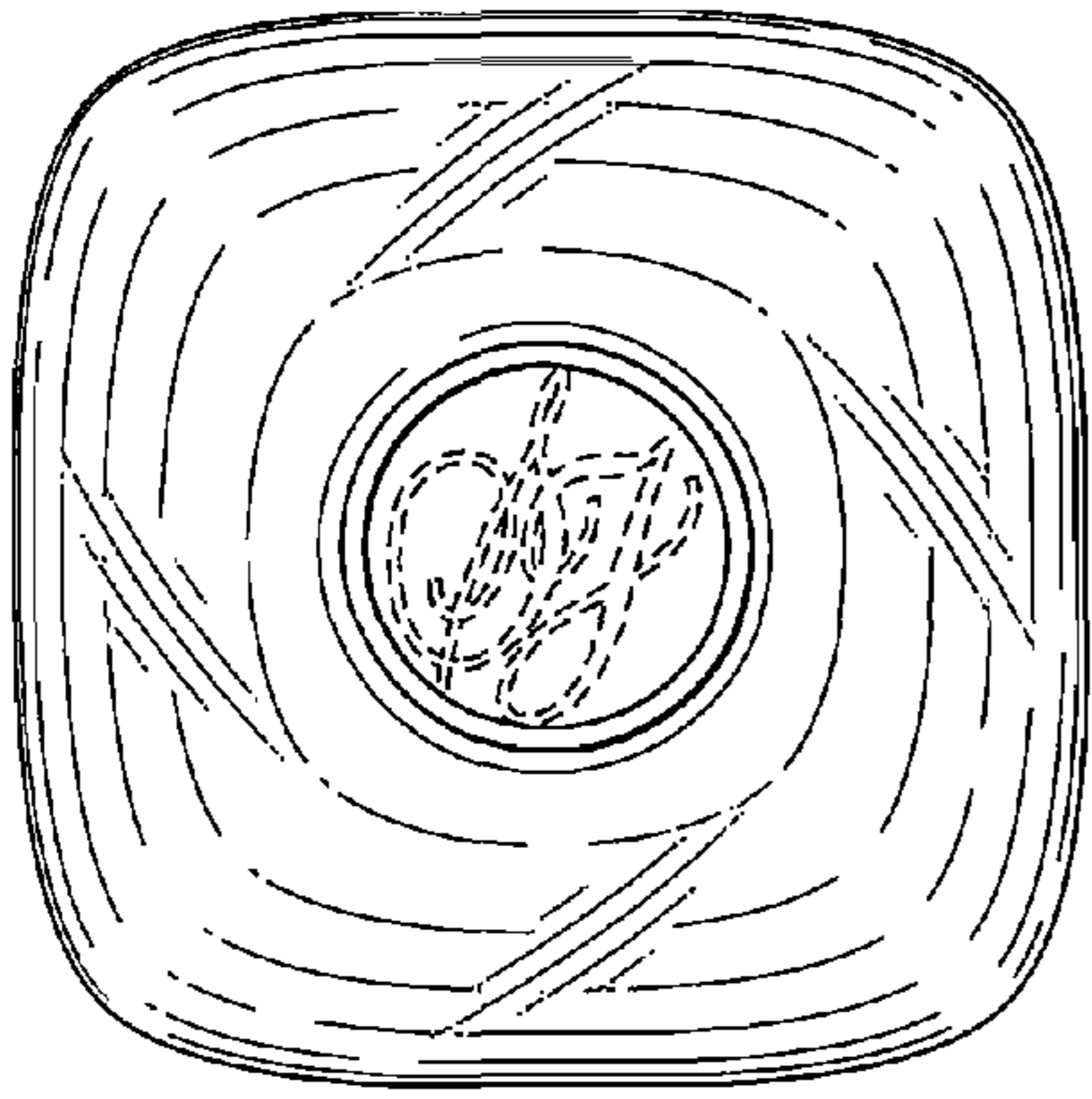


FIG. 3

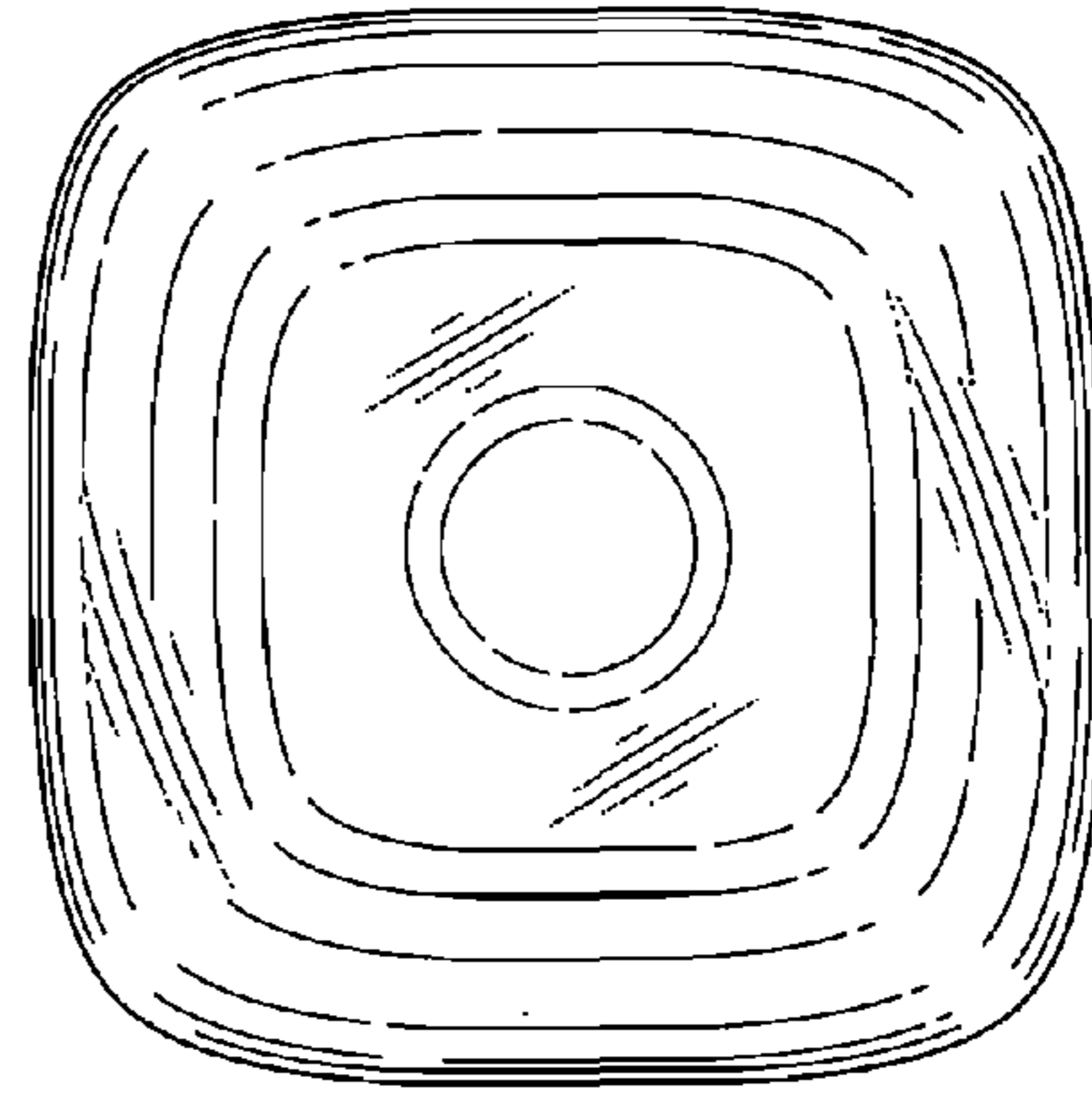


FIG. 4

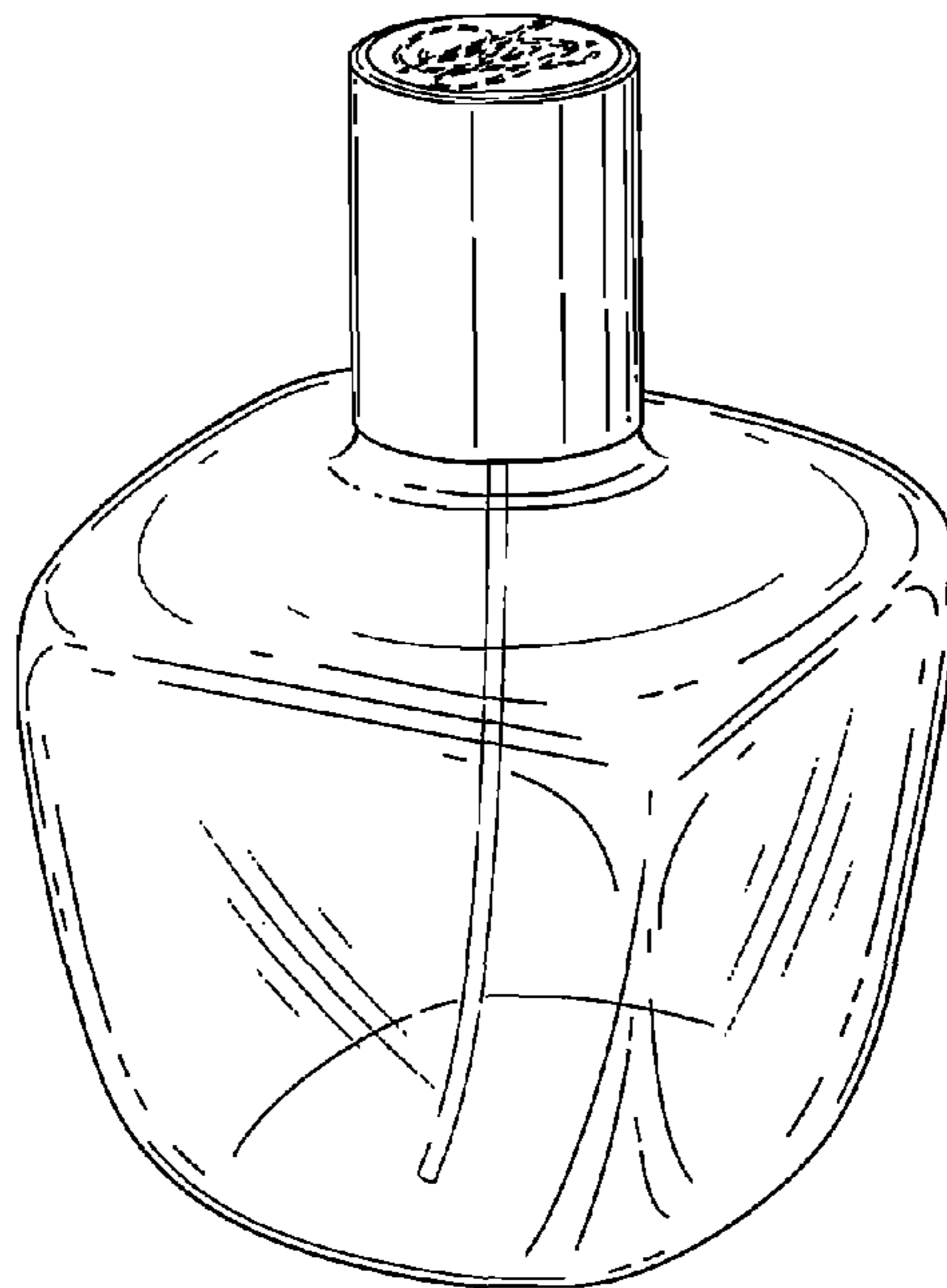


FIG. 5



FIG. 6

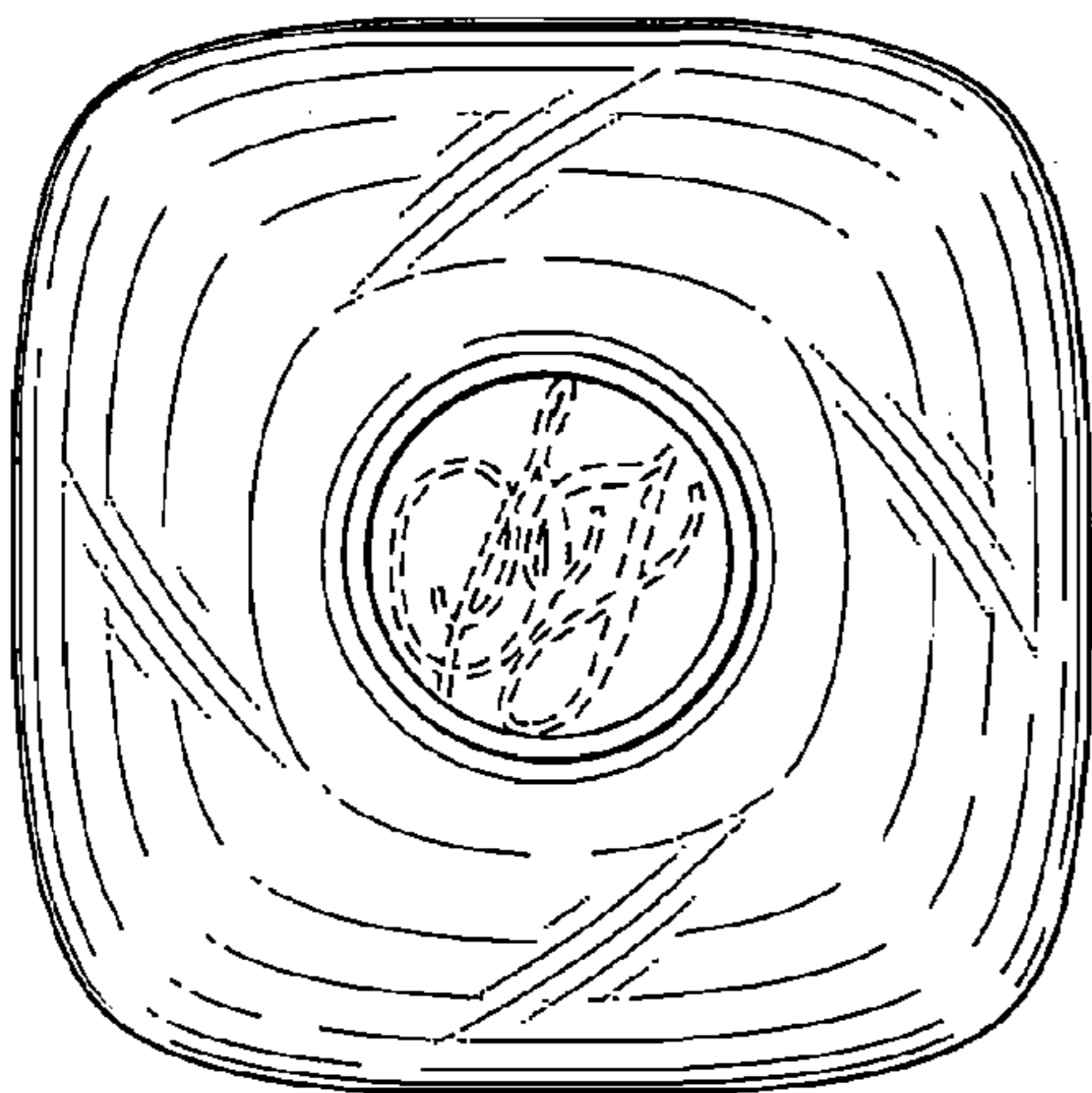


FIG. 7

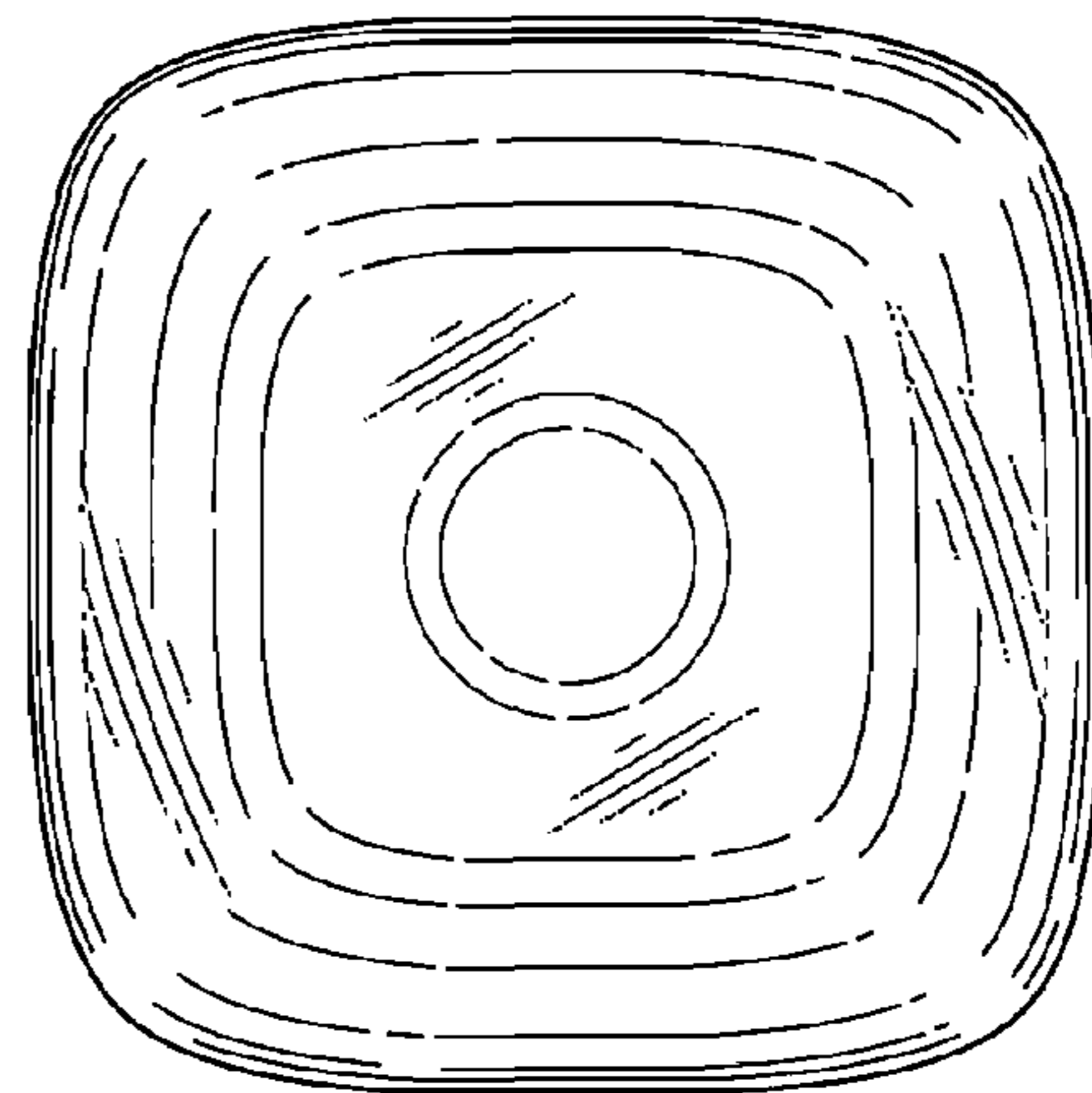


FIG. 8

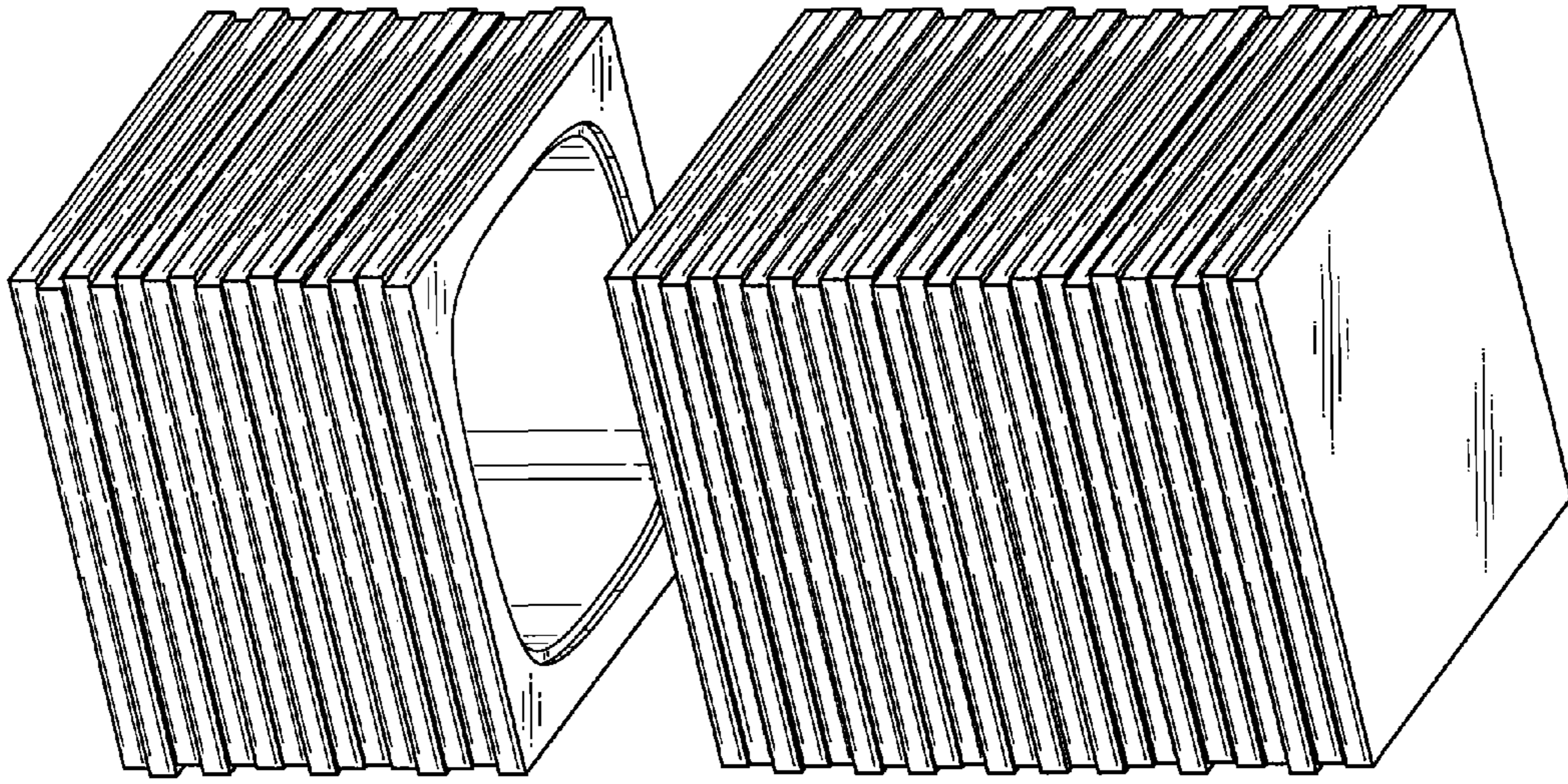


FIG. 10

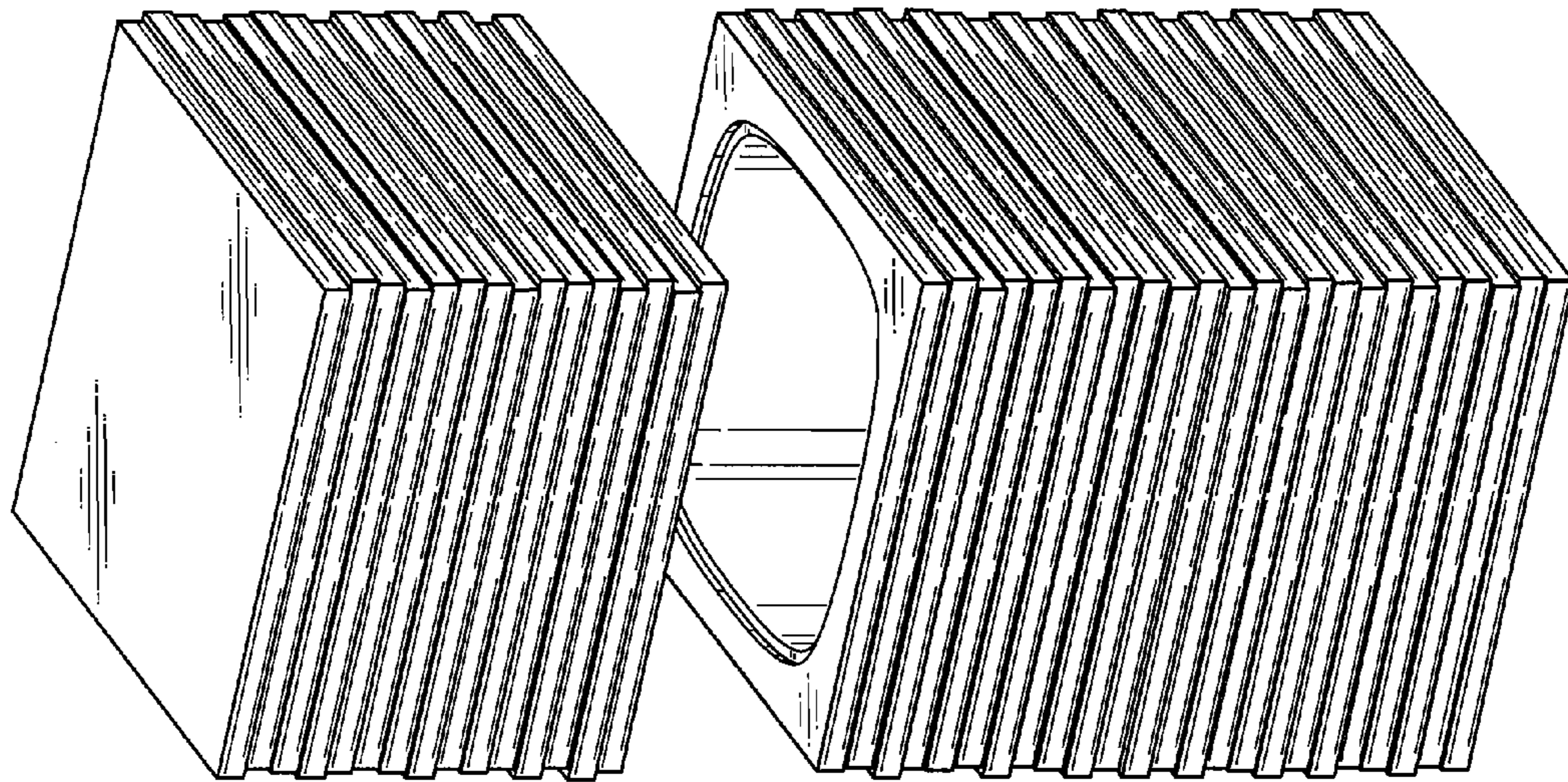


FIG. 9

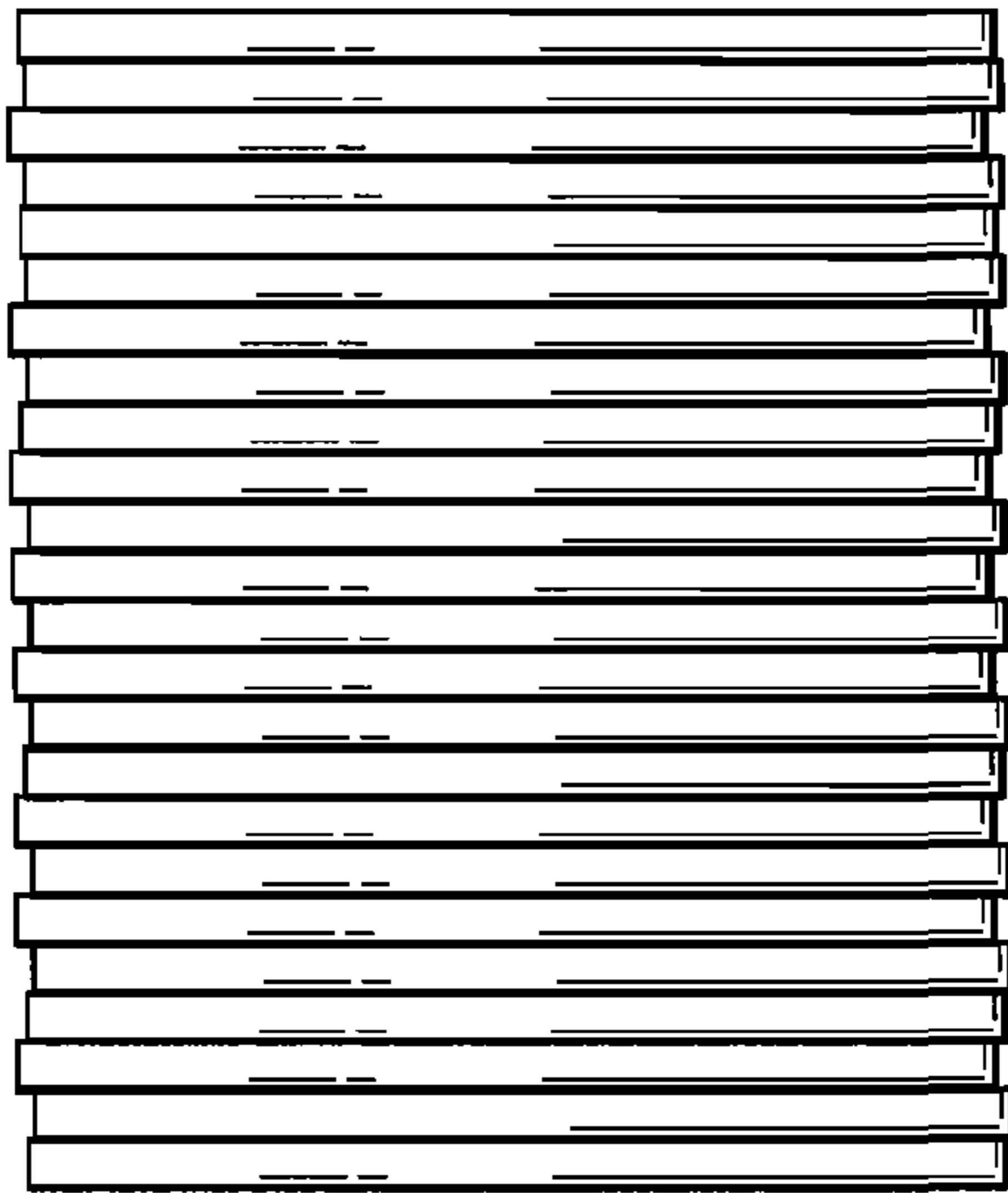
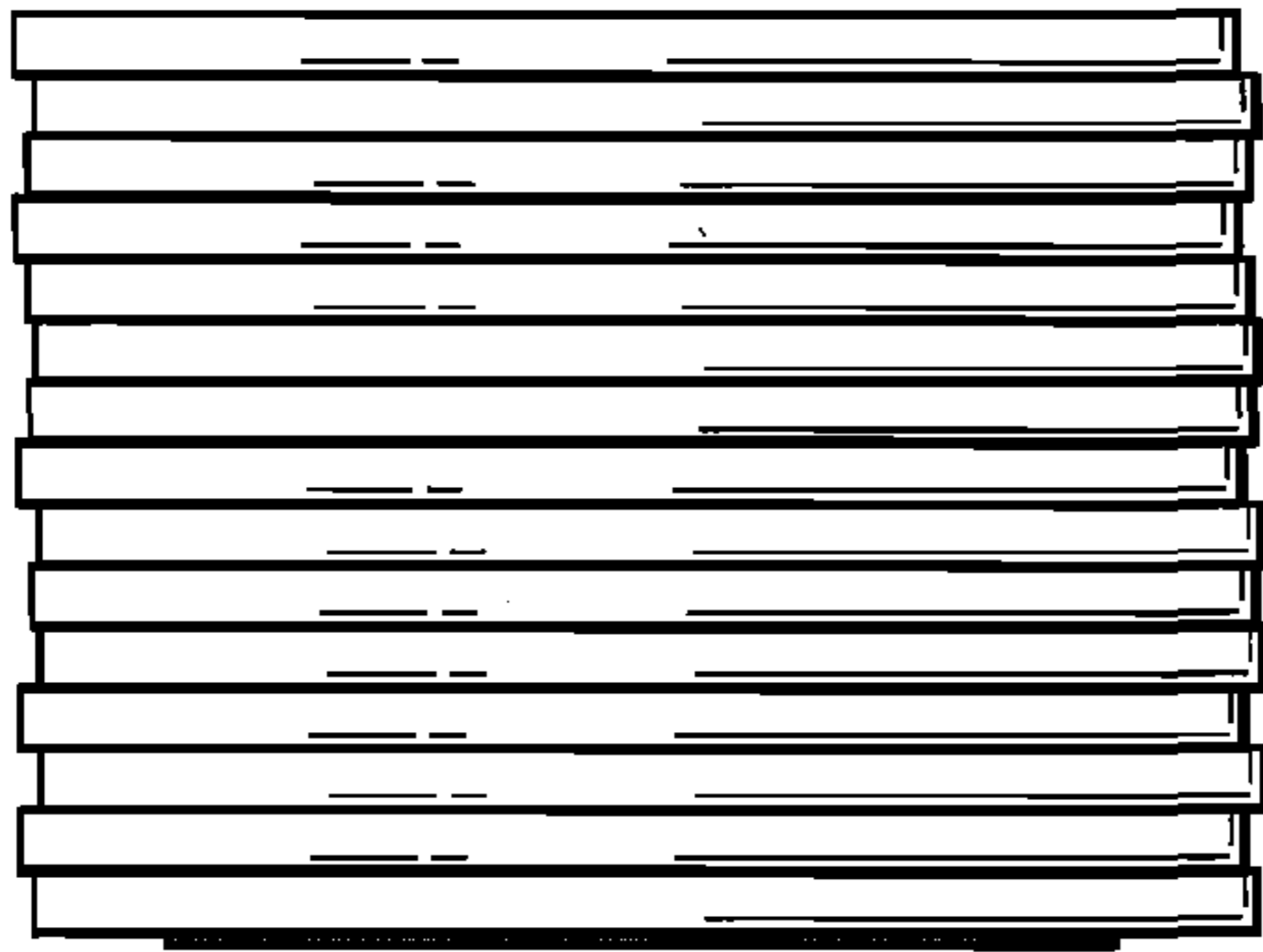


FIG. 11

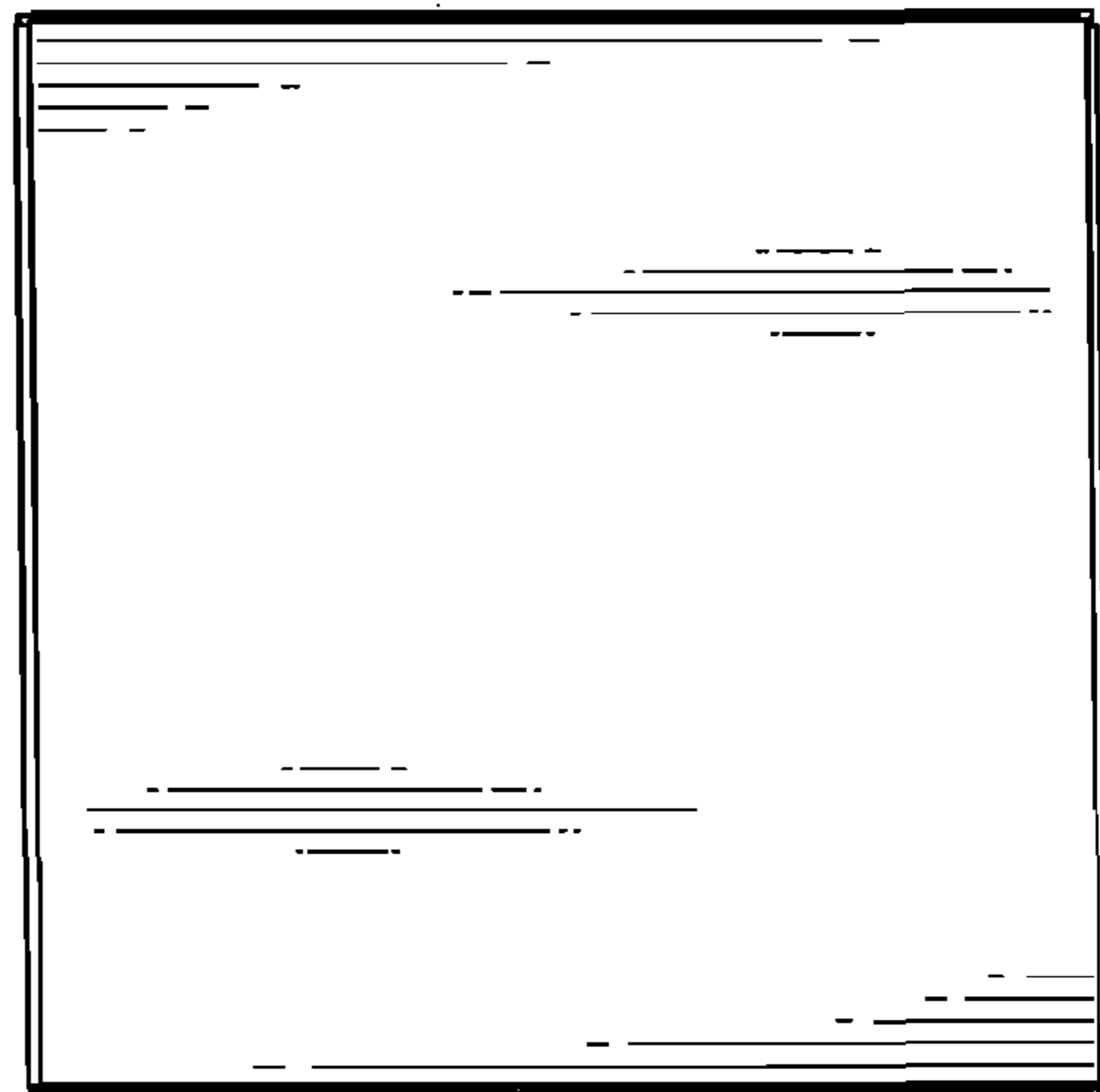


FIG. 12

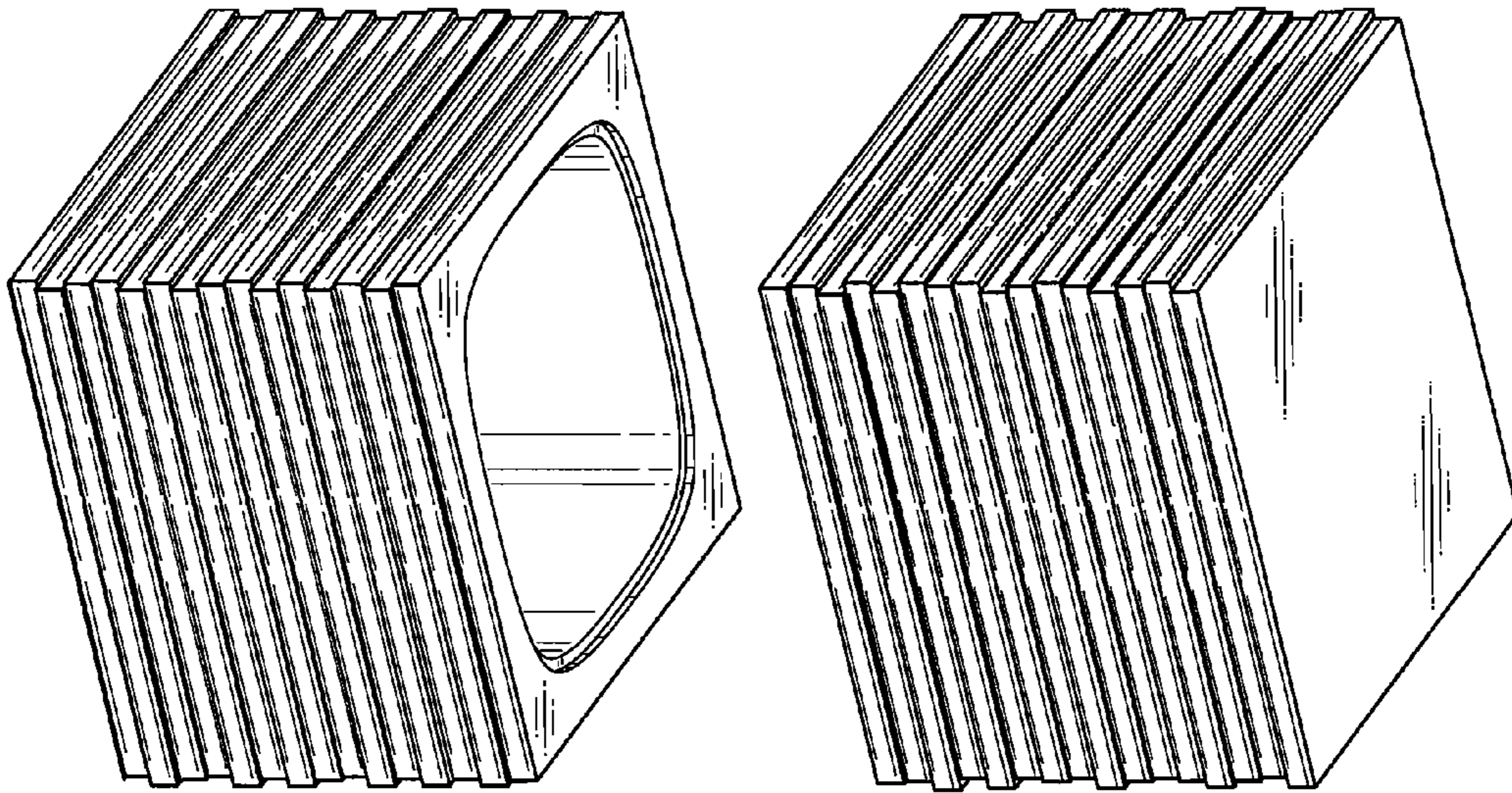


FIG. 14

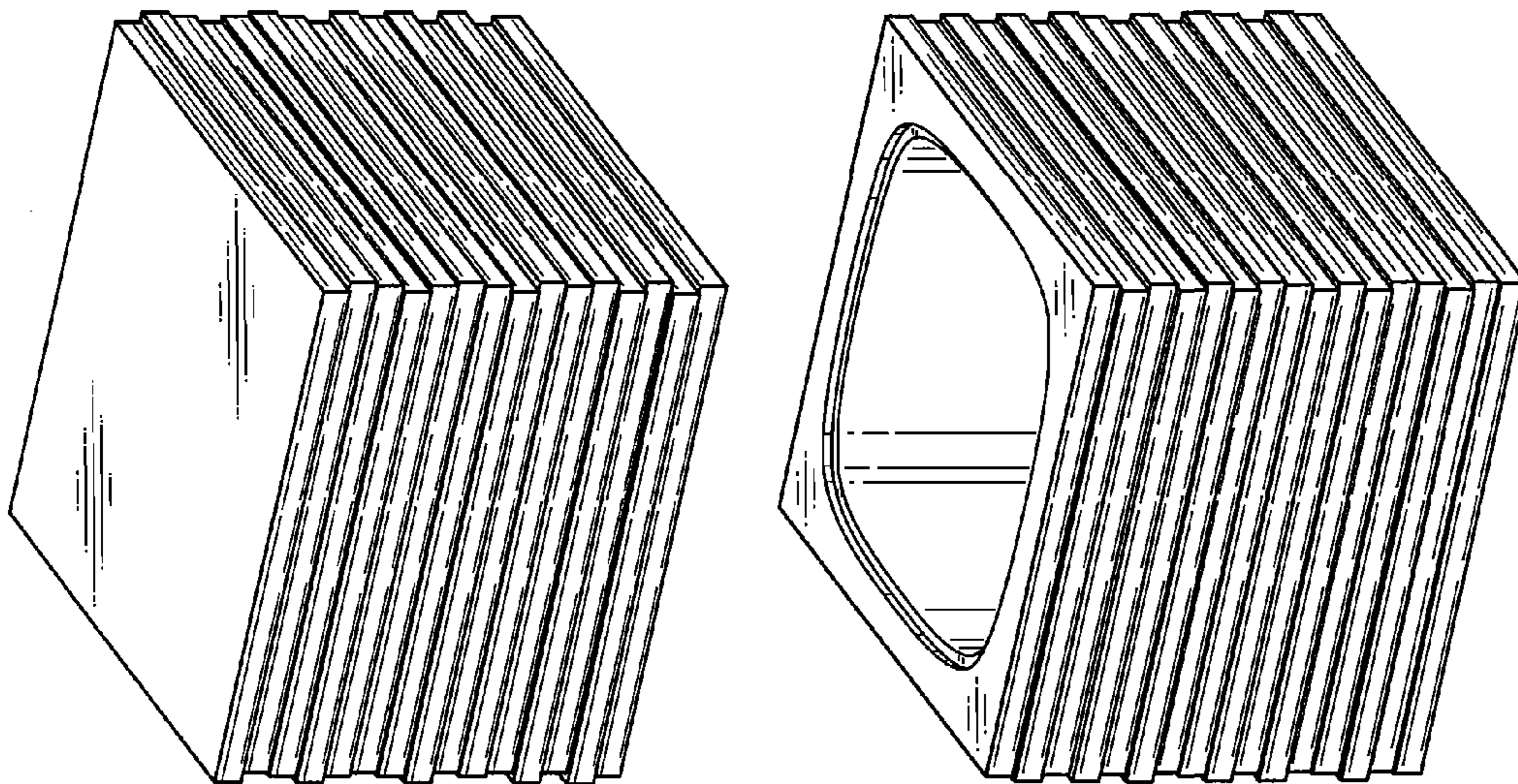


FIG. 13

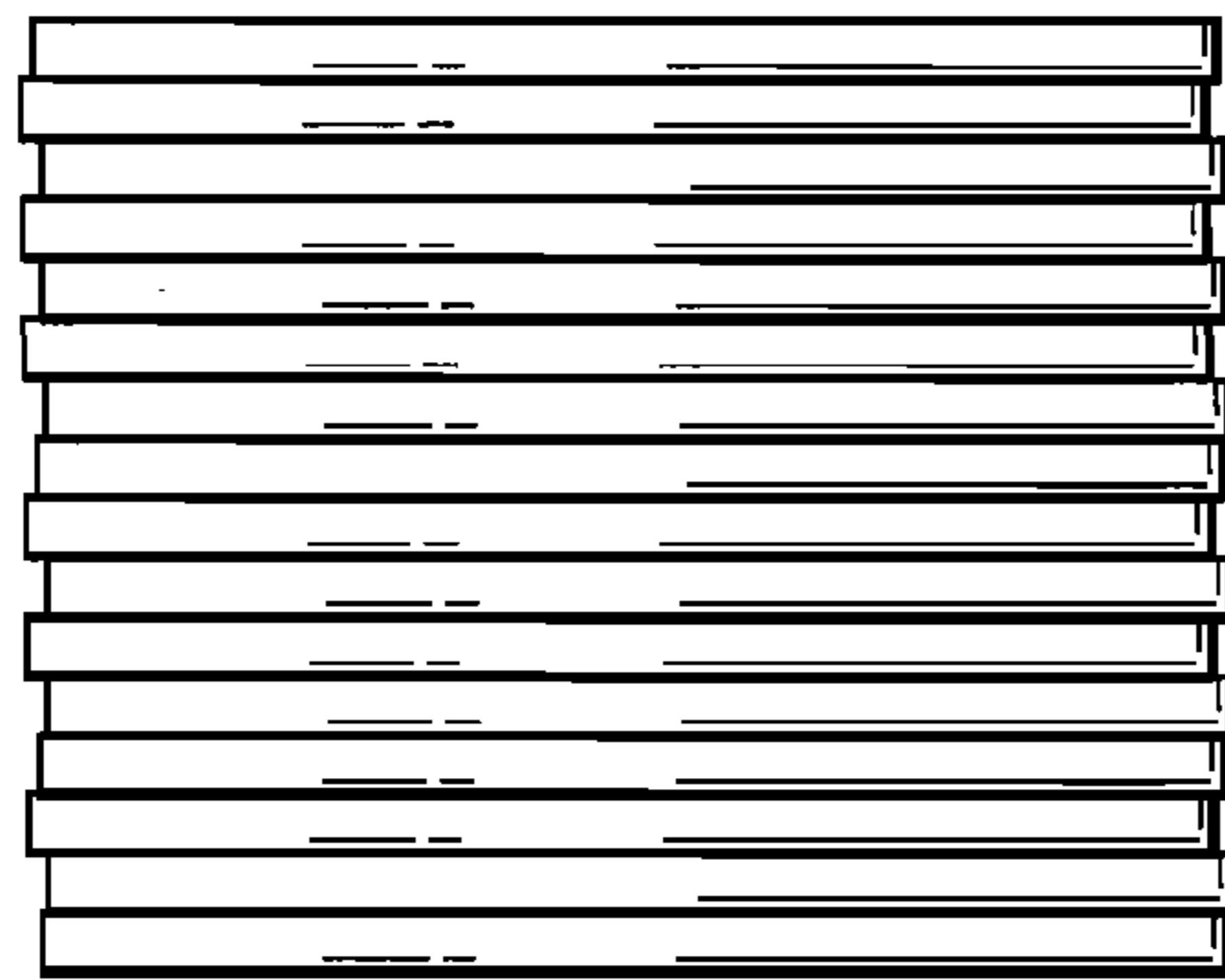
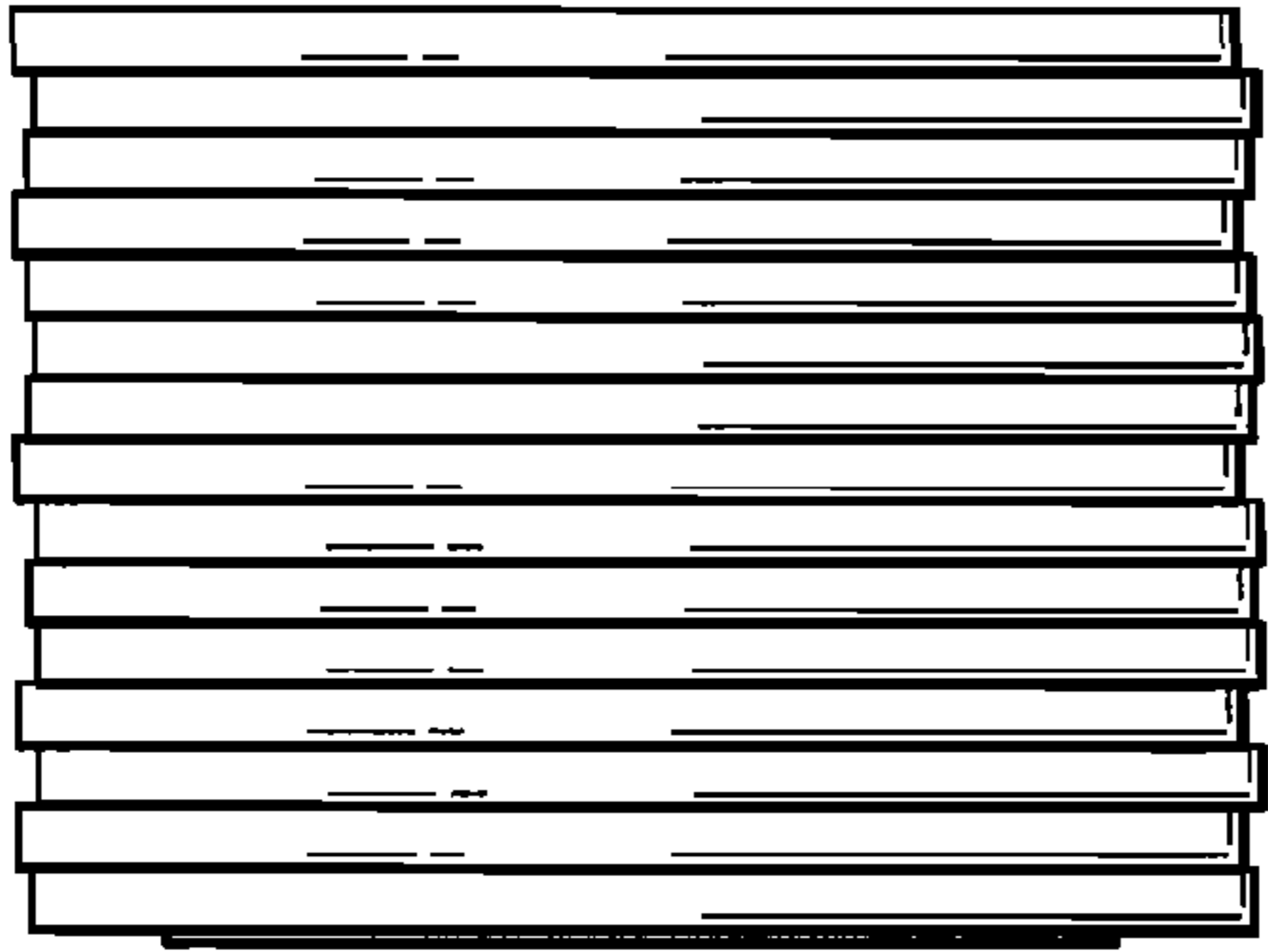


FIG. 15

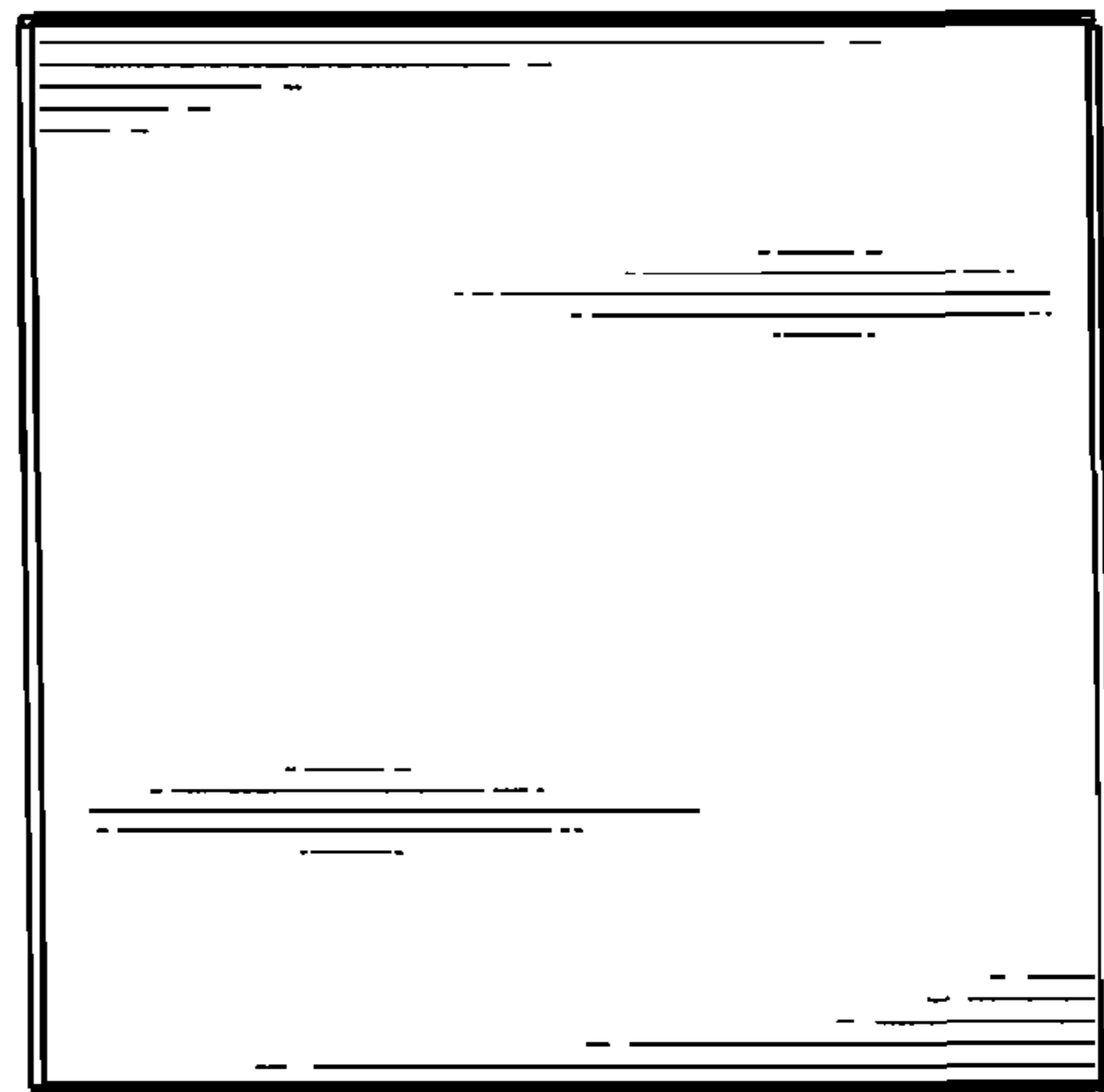


FIG. 16

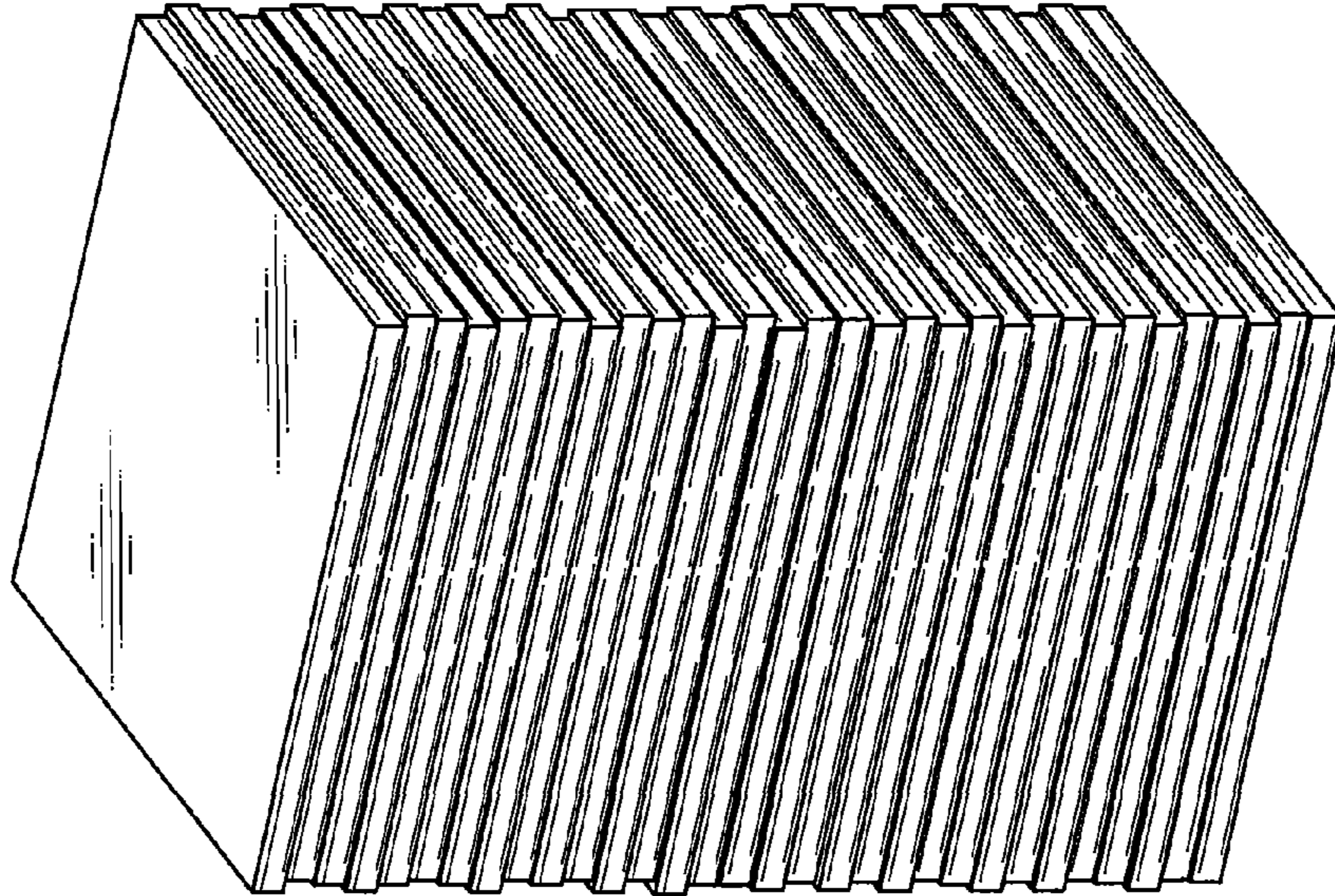


FIG. 18

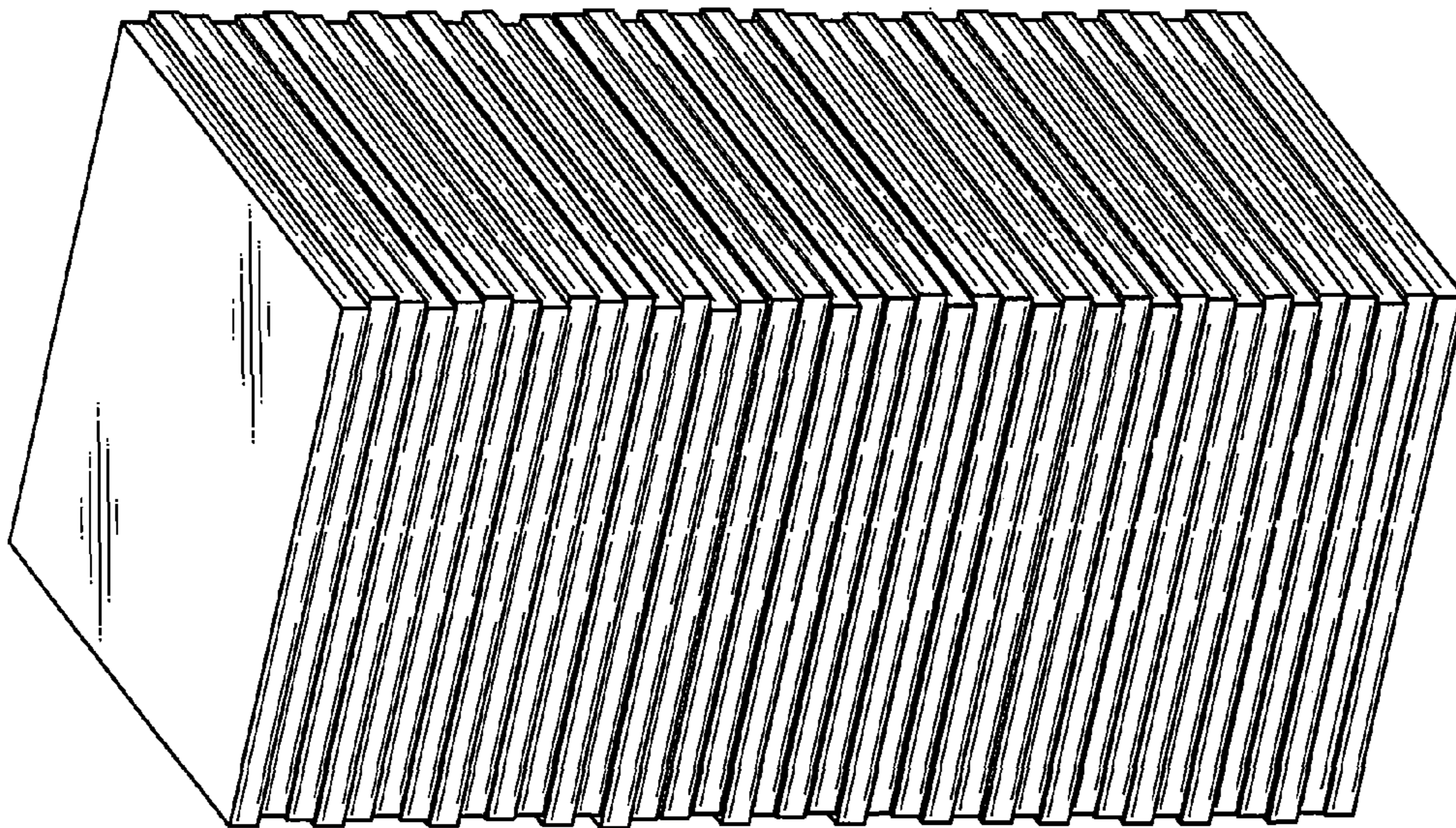


FIG. 17

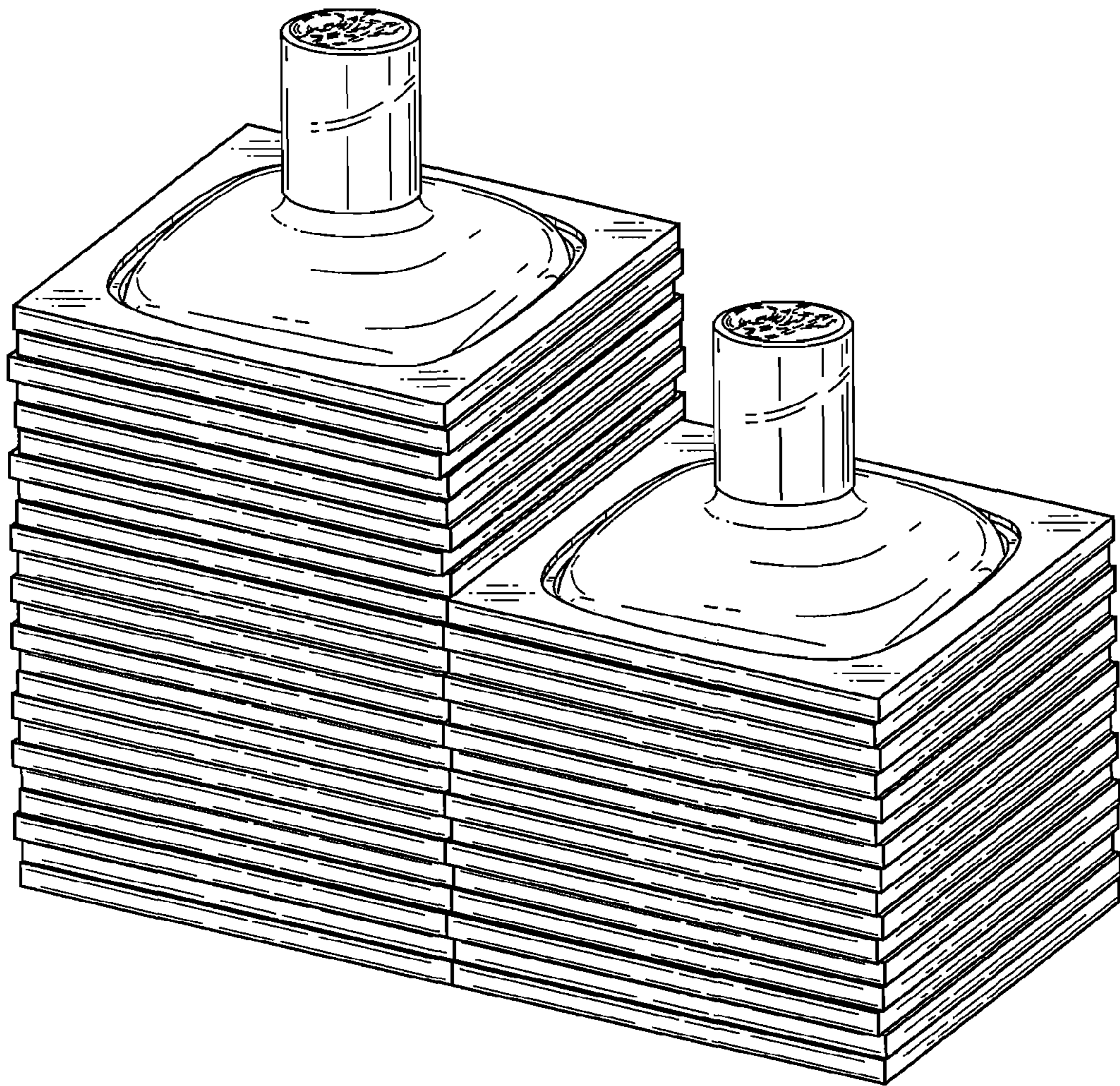


FIG. 19