



US00D567091S

(12) **United States Design Patent**
Glydon et al.

(10) **Patent No.:** **US D567,091 S**

(45) **Date of Patent:** **** Apr. 22, 2008**

(54) **HOOR GLASS SHAPED CONTAINER WITH LID**

(75) Inventors: **James Glydon**, Cedar Knolls, NJ (US);
Catalina Uribe, Puebla (MX); **Diana Lopez Magana**, Puebla (MX); **Marcela Sarabia Arzeta**, Puebla (MX); **Maria Elena Morales**, Cuautitlan Izcalli (MX)

(73) Assignee: **Cadbury Adams USA LLC**, Parsippany, NJ (US)

(**) Term: **14 Years**

(21) Appl. No.: **29/285,346**

(22) Filed: **Mar. 27, 2007**

(51) **LOC (8) Cl.** **09-01**

(52) **U.S. Cl.** **D9/504; D9/447**

(58) **Field of Classification Search** D9/424,
D9/428, 446-447, 449, 454, 500, 502-505,
D9/516, 549, 550, 557-558, 682, 686, 688-691,
D9/694, 905; D7/598; 215/379-384; 220/660,
220/662, 669-673, 675

See application file for complete search history.

(56) **References Cited**

U.S. PATENT DOCUMENTS

1,715,757 A	6/1929	Hirtzler	
D129,604 S *	9/1941	Forgue D9/500
2,722,309 A	11/1955	Waterman	
D187,389 S	3/1960	Becker	
2,998,896 A	9/1961	Miller	
3,018,921 A	1/1962	Hermanson	
3,292,840 A	12/1966	Schmidt	
3,332,586 A	7/1967	Amburgey	
D231,773 S	6/1974	Mascia	
D237,853 S	12/1975	Katz	
4,057,167 A	11/1977	Lee	
4,095,712 A	6/1978	Perrella	
D249,111 S	8/1978	Geyer	
4,124,135 A	11/1978	Weder et al.	
4,144,985 A	3/1979	Kinslow	
D252,796 S	9/1979	Fortuna et al.	

4,223,814 A	9/1980	Sneider	
4,244,470 A	1/1981	Burnham	
4,369,901 A	1/1983	Hidding	
D273,843 S *	5/1984	Urion D9/500
4,503,991 A	3/1985	Joyce	
4,538,731 A	9/1985	Cillario	
4,545,508 A	10/1985	Cribb, Jr. et al.	
4,607,768 A	8/1986	Taber et al.	
D289,738 S	5/1987	McLaughlin et al.	
4,669,622 A	6/1987	Bennett	
4,726,091 A	2/1988	Joyce	
4,765,501 A	8/1988	Kao	

(Continued)

OTHER PUBLICATIONS

<http://www.gnpd.com>; Mintel gnpd; Wrigley's Eclipse Big-E-Pack Chewing Gum, Spearmint, 2, May 2, 2006.

(Continued)

Primary Examiner—Ian Simmons
Assistant Examiner—Dana L Sipos
(74) *Attorney, Agent, or Firm*—Hoffmann & Baron, LLP

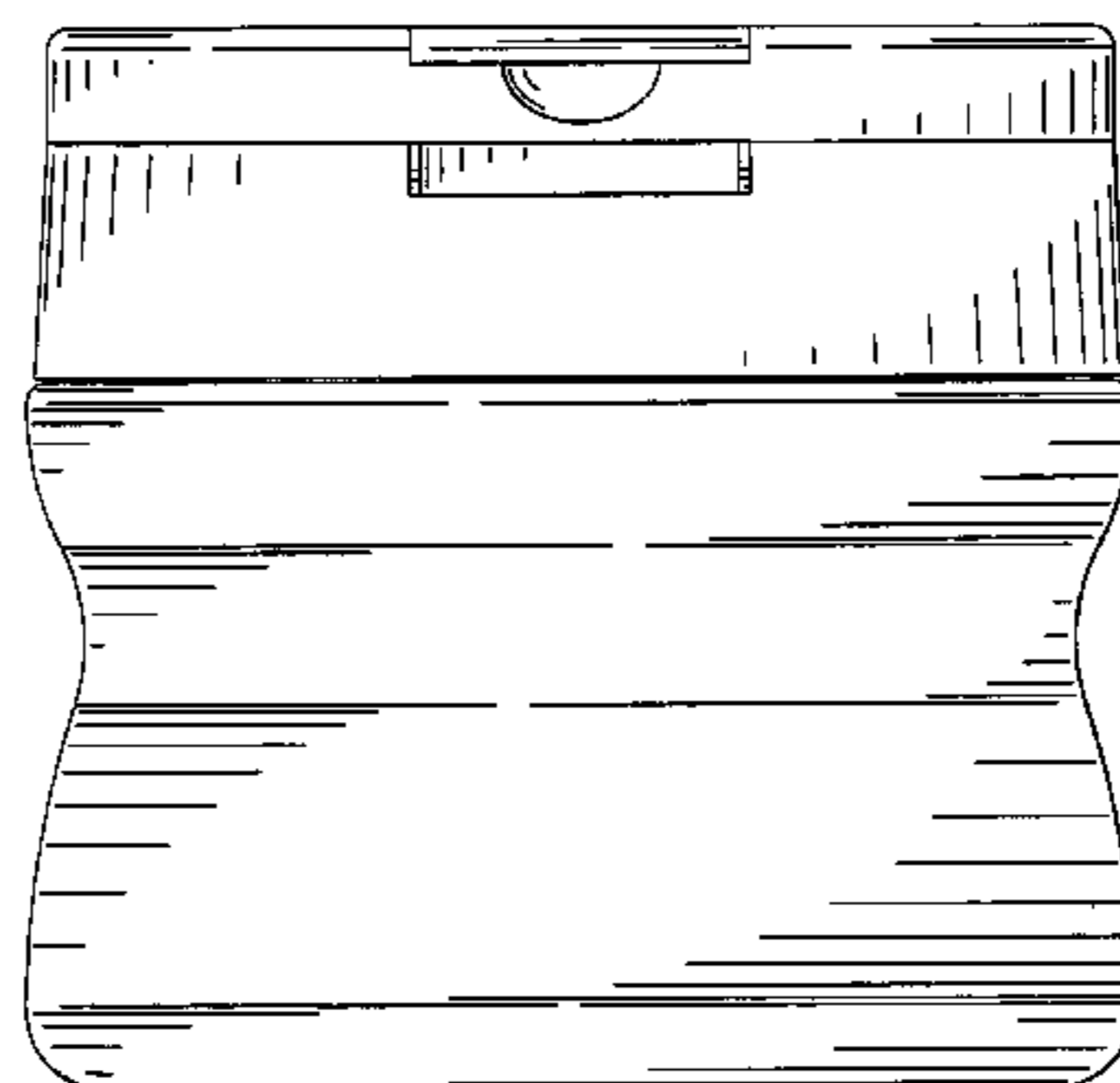
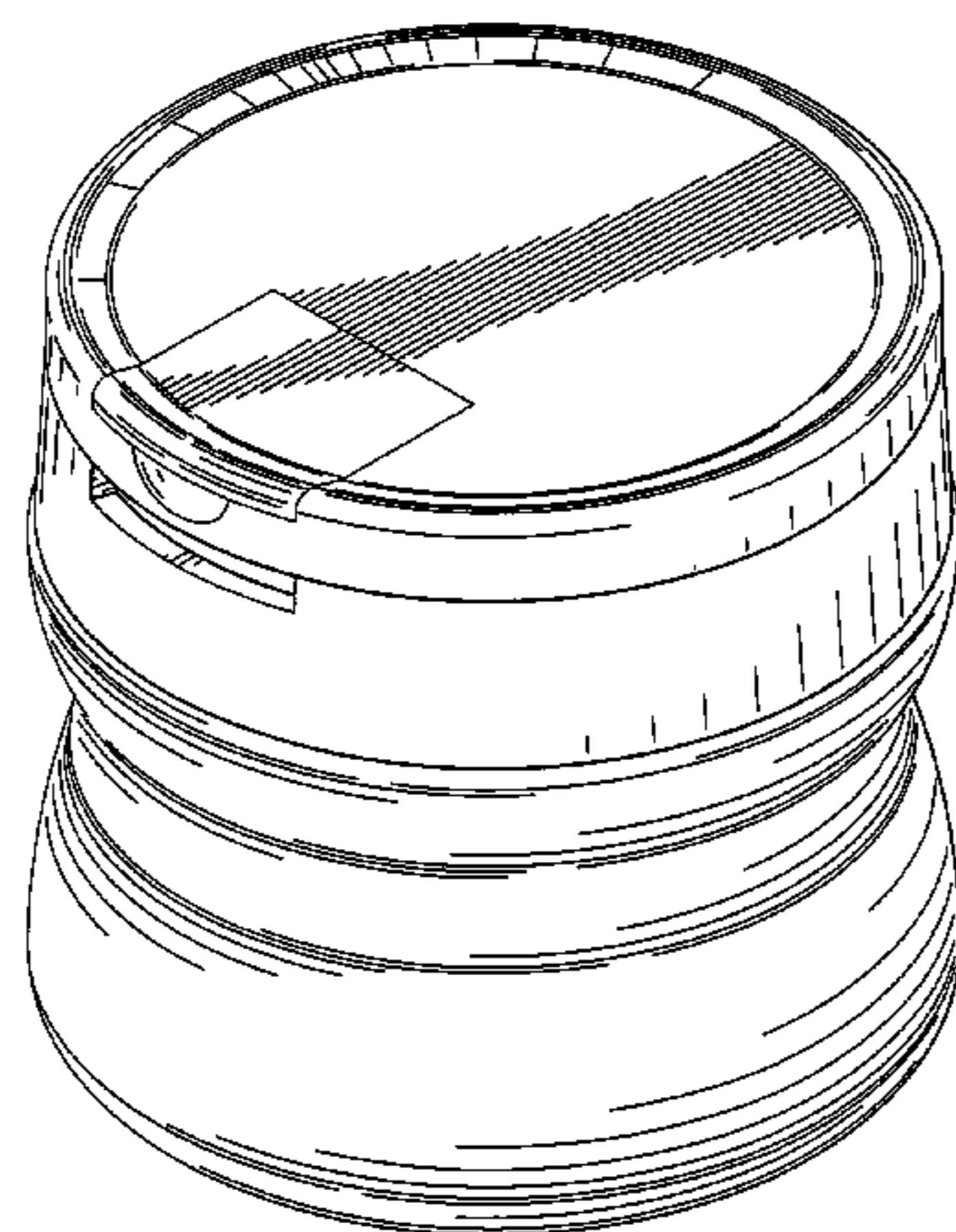
(57) **CLAIM**

The ornamental design for a hour glass shaped container with lid, as shown and described.

DESCRIPTION

FIG. 1 is a top, front, right side perspective view of a pinched hour glass container with lid showing our new design;
FIG. 2 is a front elevation view thereof;
FIG. 3 is a right side elevation view thereof;
FIG. 4 is a rear elevation view thereof;
FIG. 5 is a top plan view thereof;
FIG. 6 is a top, front, right side perspective view showing the lid portion in an open position; and,
FIG. 7 is top, front, right side perspective view showing part of the lid portion in an open position.

1 Claim, 7 Drawing Sheets



US D567,091 S

U.S. PATENT DOCUMENTS

5,064,073 A	11/1991	Folland	
D333,268 S	2/1993	Arlinghaus et al.	
D334,709 S *	4/1993	Fleming et al.	D9/449
D341,778 S	11/1993	D'Amico et al.	
5,273,177 A	12/1993	Campbell	
5,353,956 A	10/1994	Wilson	
5,358,134 A	10/1994	Ripley et al.	
5,377,882 A	1/1995	Pham et al.	
5,547,076 A	8/1996	Doi et al.	
5,549,214 A	8/1996	Harris	
D375,655 S *	11/1996	King	D7/511
5,636,732 A	6/1997	Gilels et al.	
D385,791 S *	11/1997	Forsyth et al.	D9/447
D391,810 S	3/1998	Cooper	
D393,421 S	4/1998	Kovens	
D399,425 S	10/1998	Ramsey	
D399,429 S	10/1998	Ramsey	
D403,963 S	1/1999	Ramsey	
D407,316 S	3/1999	Zaksenberg	
D408,221 S	4/1999	Asberg	
D409,496 S	5/1999	Ramsey	
D412,279 S	7/1999	Brice	
5,988,424 A	11/1999	Kovens	
D418,363 S *	1/2000	Barnes et al.	D7/392
D418,758 S	1/2000	Yucknut	
6,050,438 A	4/2000	Kovens et al.	
D427,911 S	7/2000	Kilian	
D431,458 S *	10/2000	Bried et al.	D3/203.2
D431,777 S	10/2000	Marciano	
D432,424 S	10/2000	Andrew	
D437,229 S	2/2001	Andrew	
D437,230 S	2/2001	Andrew	
D443,825 S	6/2001	Goettner	
D444,386 S	7/2001	Weber	
D445,337 S	7/2001	Croft et al.	
D445,689 S	7/2001	McCutchan	
D452,954 S	1/2002	Westphal	
RE37,634 E	4/2002	Hickman et al.	
D458,141 S	6/2002	Crawford et al.	
D459,231 S	6/2002	Crawford et al.	
D459,232 S	6/2002	Crawford et al.	
D460,696 S	7/2002	Goettner	
D461,718 S	8/2002	Brozell	
D462,270 S	9/2002	Renz	
6,454,115 B1	9/2002	Allasia	
D463,982 S	10/2002	Speelman	
D466,012 S	11/2002	Baker	
D467,811 S	12/2002	Slater et al.	
D470,765 S	2/2003	Baker	
D471,458 S *	3/2003	Booth et al.	D9/504
D474,401 S	5/2003	Chiang	
6,561,391 B1	5/2003	Baker	
D476,898 S	7/2003	Schuller et al.	
D480,312 S	10/2003	Mungur et al.	
6,644,488 B1	11/2003	Coleman	
D486,070 S	2/2004	Walsh et al.	
D487,018 S	2/2004	Walsh et al.	
D489,003 S	4/2004	Loth et al.	
D490,304 S	5/2004	Landers	
6,742,666 B1	6/2004	Bried et al.	
6,763,945 B2	7/2004	Baker et al.	
D495,607 S	9/2004	Bezek	
D499,336 S	12/2004	Flecheux	
D504,318 S	4/2005	Lane et al.	
D504,614 S	5/2005	Schuller et al.	
D512,917 S	12/2005	Frisch et al.	
D513,585 S *	1/2006	Biesecker et al.	D9/449
D513,590 S	1/2006	Westphal	
D552,993 S *	10/2007	Rathbone et al.	D9/504
2006/0076356 A1	4/2006	Bocola	

OTHER PUBLICATIONS

<http://www.gnpd.com>; Mintel gnpd; Wrigley's Juicy Fruit Chewing Gum, 3, Apr. 25, 2006.

<http://www.gnpd.com>; Mintel gnpd; Wrigley's Excel Chewing Gum, 4, Apr. 2006.

<http://www.gnpd.com>; Mintel gnpd; Wrigley's Eclipse Big-E-Chewing Gum, Winterfrost, 6, Sep. 12, 2006.

<http://www.gnpd.com>; Mintel gnpd; Wrigley's Extra Chewing Gum, 7, Sep. 8, 2006.

<http://www.gnpd.com>; Mintel gnpd; Wrigley's Cool Air Vapor Release Chewing Gum, 9, Jul. 19, 2006.

Hershey Foods Corporation Information/Business.com, pp. 1-2, Sep. 13, 2006; www.business.com/directory/food_and_beverage/confectionery/Hershey_foods_corp.

Ice Breakers Liquid Ice mints—Hershey's, pp. 1-2, Sep. 13, 2006; www.hersheys.com/products/details/icebreakersliquidice.asp.

NewsCom Search, pp. 1-2, 1. Hershey Foods Introduces Liquid Ice Breath Mints; Sep. 13, 2006; prn.newscom.com.

Press Release—The Hershey Company, Harvick and Ice Breakers® Liquid Ice™ Team Up at Texas Motor Speedway, pp. 1-2, Sep. 13, 2006; www.thehersheycompany.com/news/realease.asp.

Press Release—The Hershey Company, Ice Breakers Liquid Ice Causes First-Ever Disagreement Between Superstars Hilary and Haylie Duff, pp. 1-2, Sep. 13, 2006; www.thehersheycompany.com/news/release.asp.

* cited by examiner

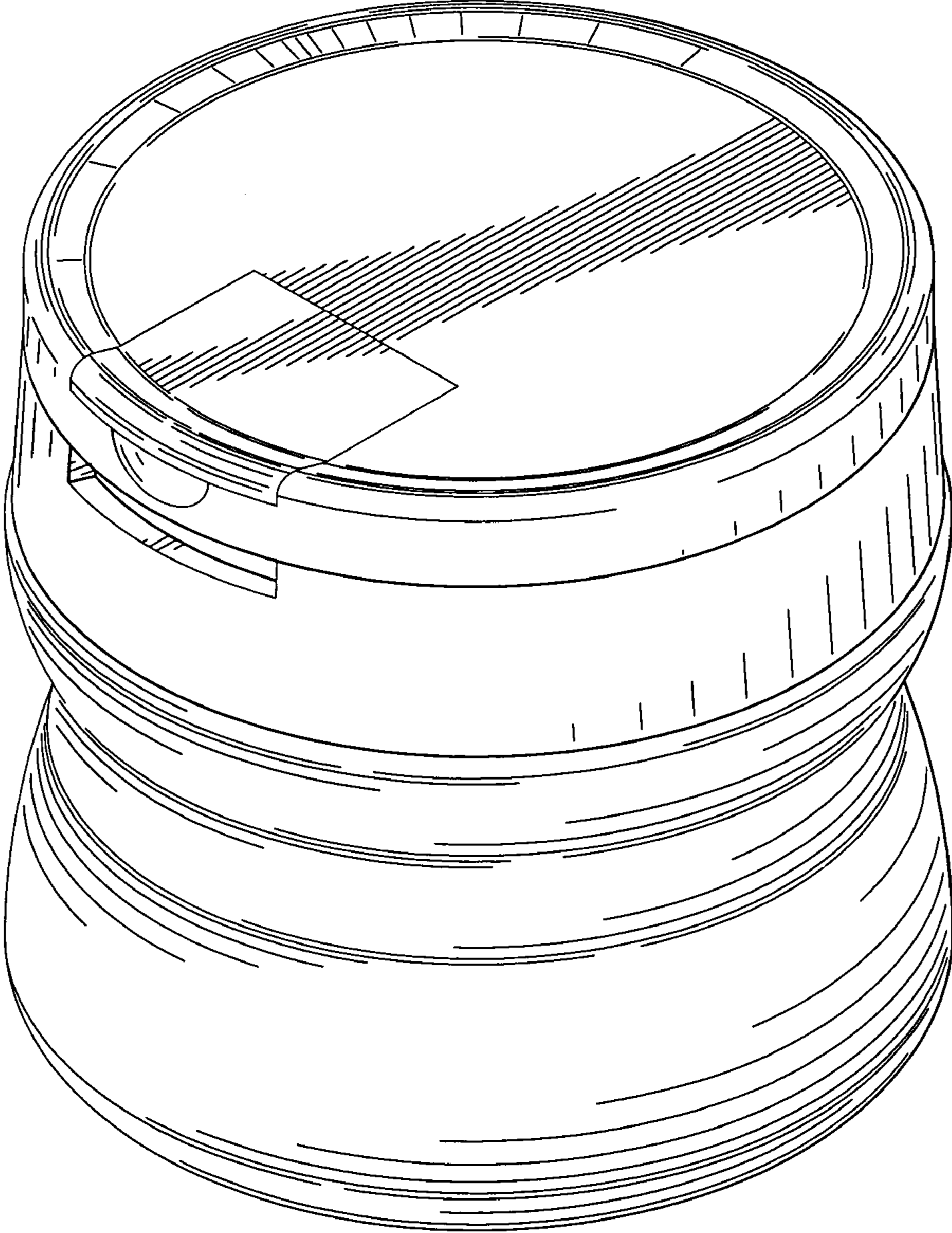


FIG. 1

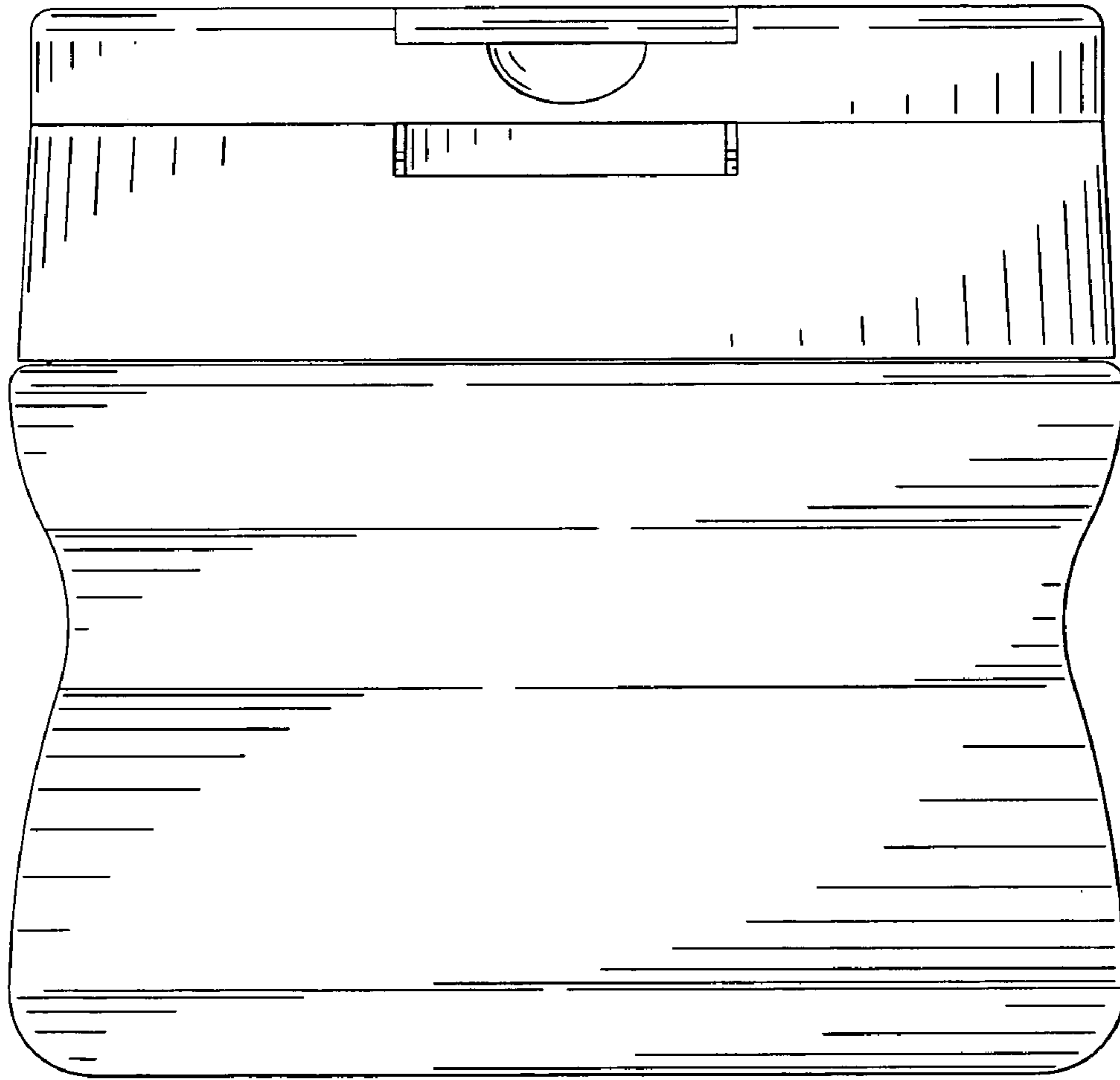


FIG. 2

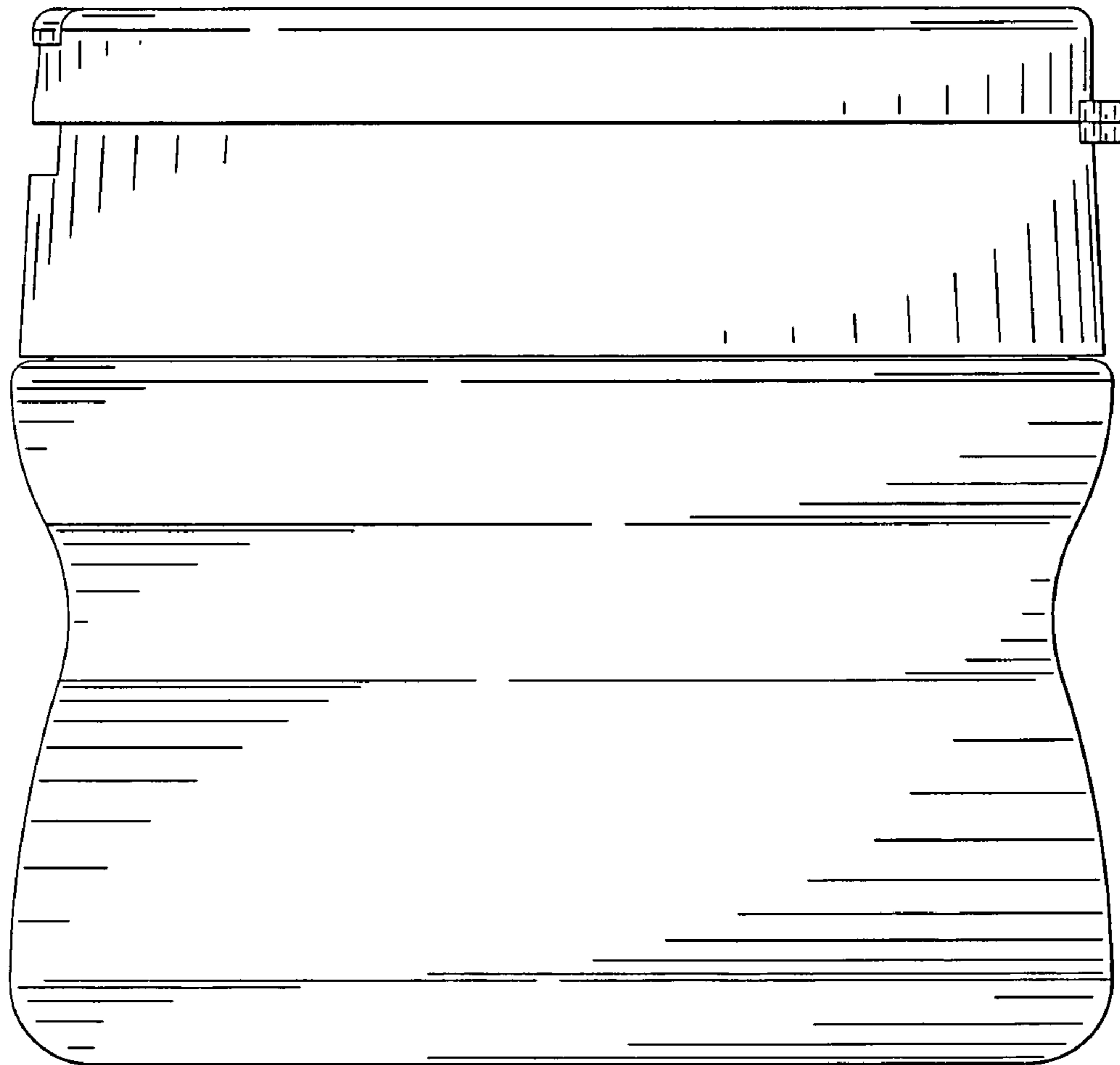


FIG. 3

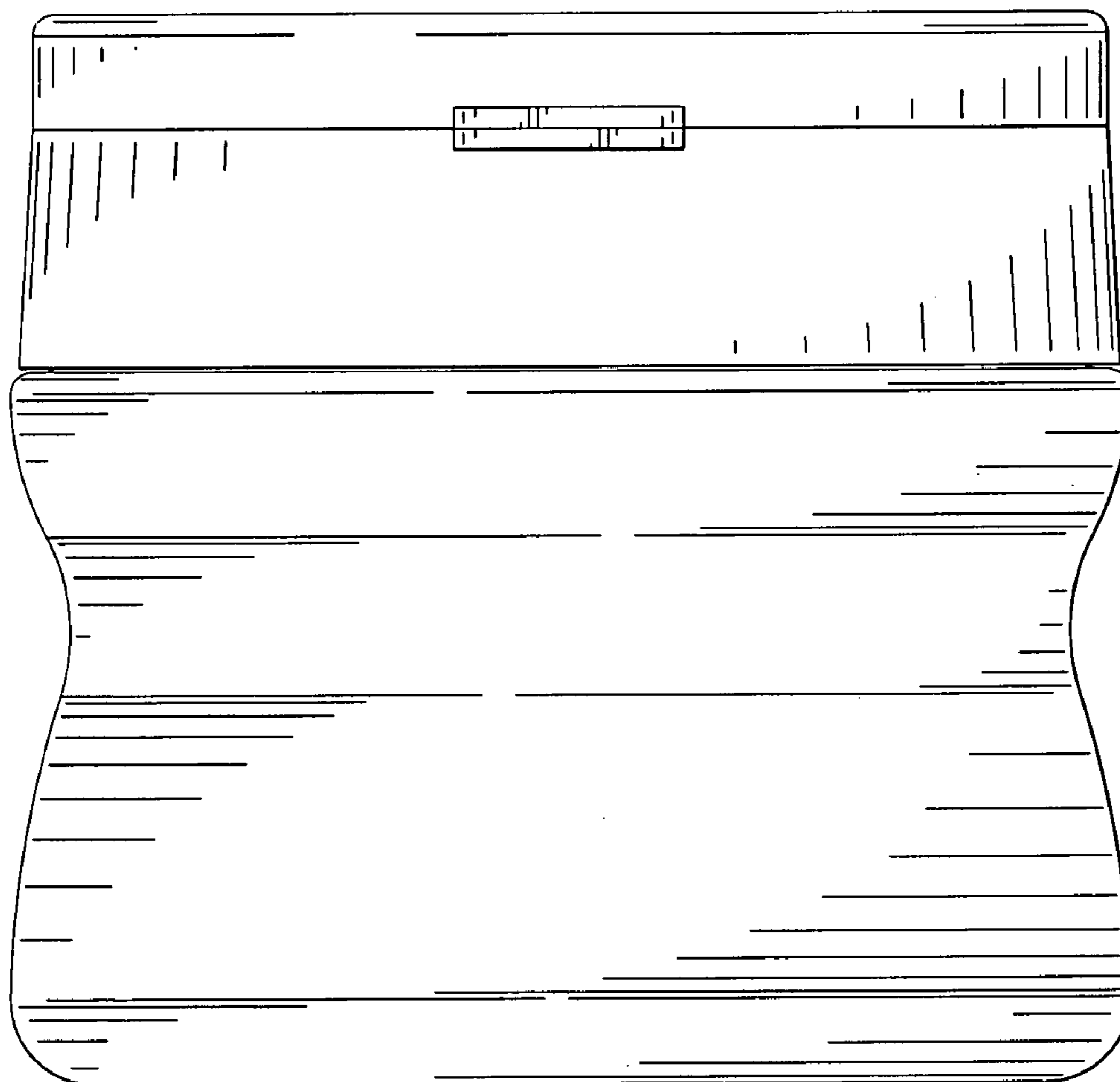


FIG. 4

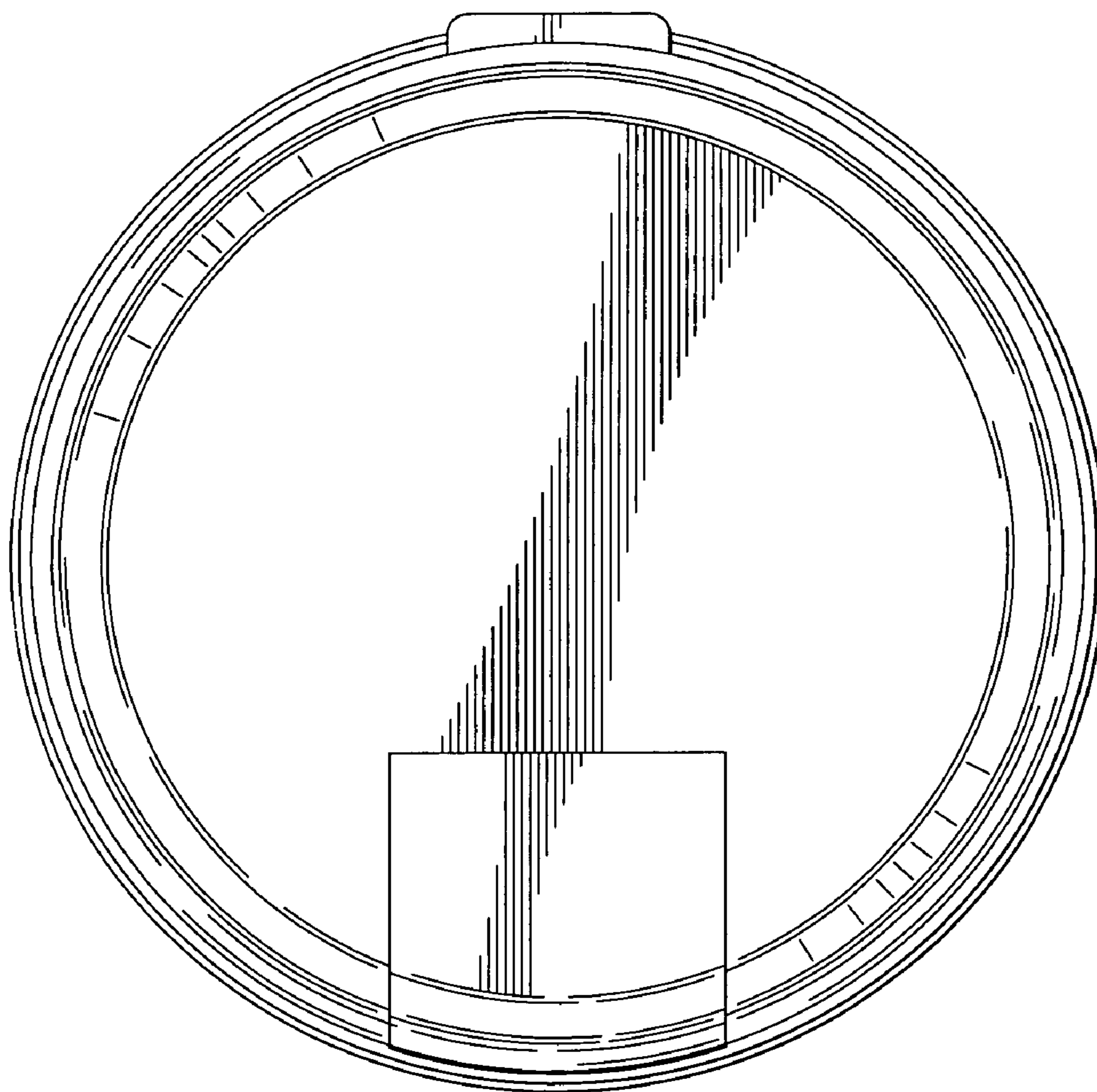


FIG. 5

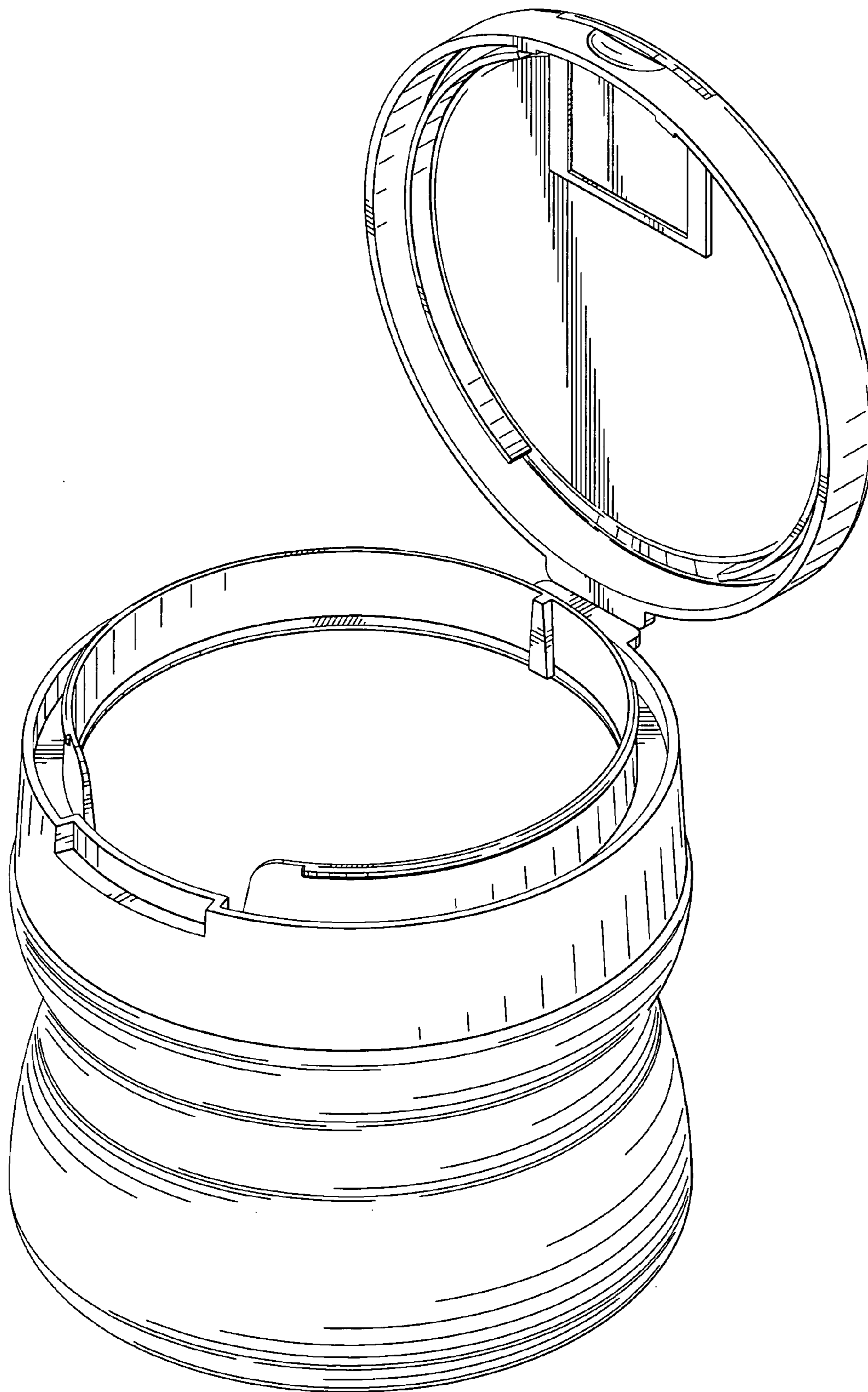


FIG. 6

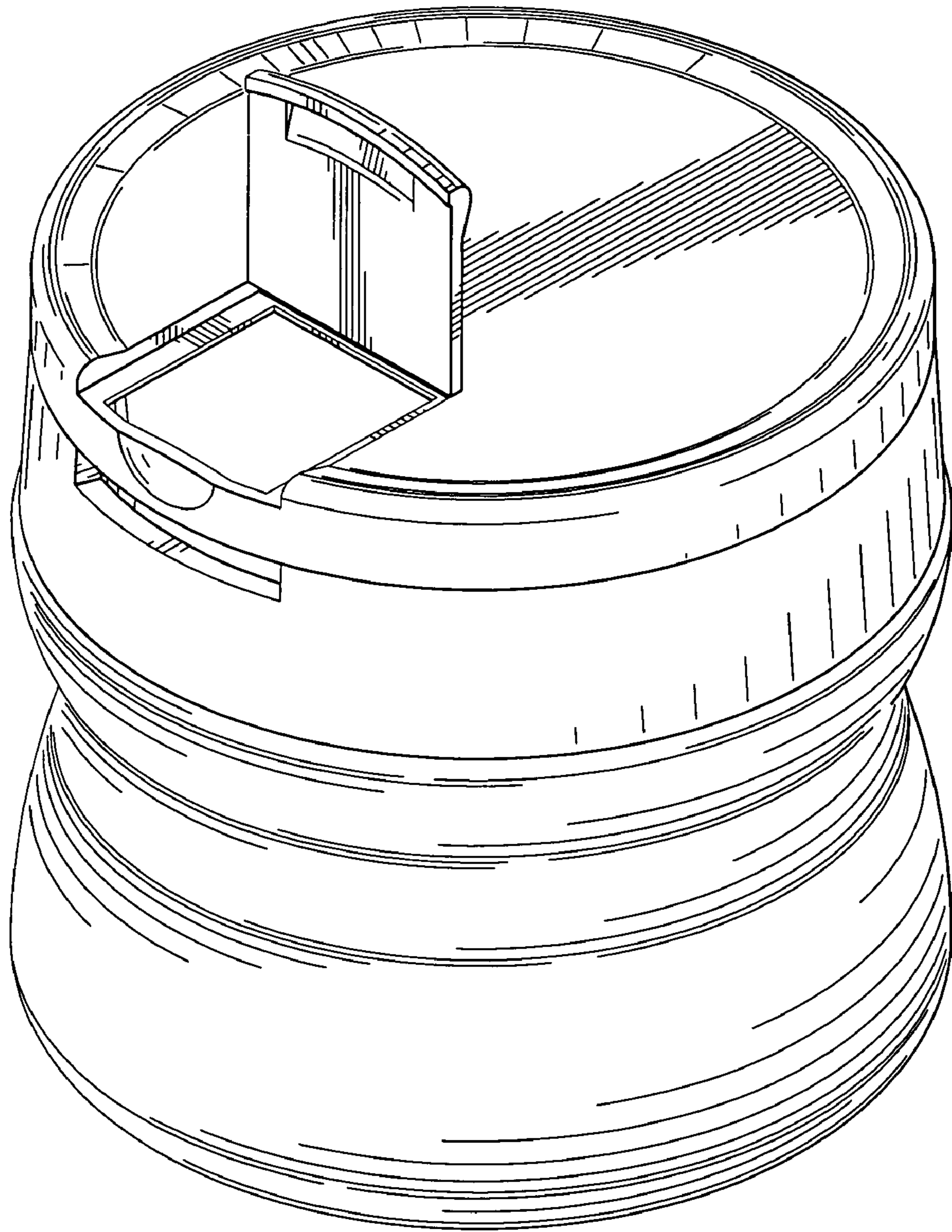


FIG. 7