

US00D567090S

(12) **United States Design Patent**
Swint et al.

(10) **Patent No.:** **US D567,090 S**

(45) **Date of Patent:** **** Apr. 22, 2008**

(54) **CONTAINER**

(75) Inventors: **Stephanie J. Swint**, Rockford, MI (US); **Mark F. Mettler**, Spring Lake, MI (US); **Olivier J. P. van Doorne**, New York, NY (US); **Joe D. Doucet**, New York, NY (US)

(73) Assignee: **Access Business Group International LLC**, Ada, MI (US)

(**) Term: **14 Years**

(21) Appl. No.: **29/278,323**

(22) Filed: **Mar. 26, 2007**

(51) **LOC (8) Cl.** **09-01**

(52) **U.S. Cl.** **D9/504**

(58) **Field of Classification Search** D9/449,
D9/453-454, 500, 502-504, 516, 529, 549,
D9/558, 682, 656, 688-692, 723, 726-767;
D28/7, 76, 82, 88; D7/509-511, 605; 215/379-385;
220/660, 662, 669-673, 675

See application file for complete search history.

(56) **References Cited**

U.S. PATENT DOCUMENTS

2,711,766 A * 6/1955 Archer et al. 220/62.18

D272,804 S * 2/1984 Braun D9/504
D274,848 S * 7/1984 Chevassus D28/76
D483,671 S * 12/2003 Pinnavaia D9/500
D543,458 S * 5/2007 Dittmer et al. D9/504

* cited by examiner

Primary Examiner—Ian Simmons

Assistant Examiner—Dana L Sipos

(74) *Attorney, Agent, or Firm*—Warner Norcross & Judd LLP

(57) **CLAIM**

I claim the ornamental design for a container, as shown and described.

DESCRIPTION

FIG. 1 is a top, front, perspective view of a container of the present invention;

FIG. 2 is a side elevation view thereof;

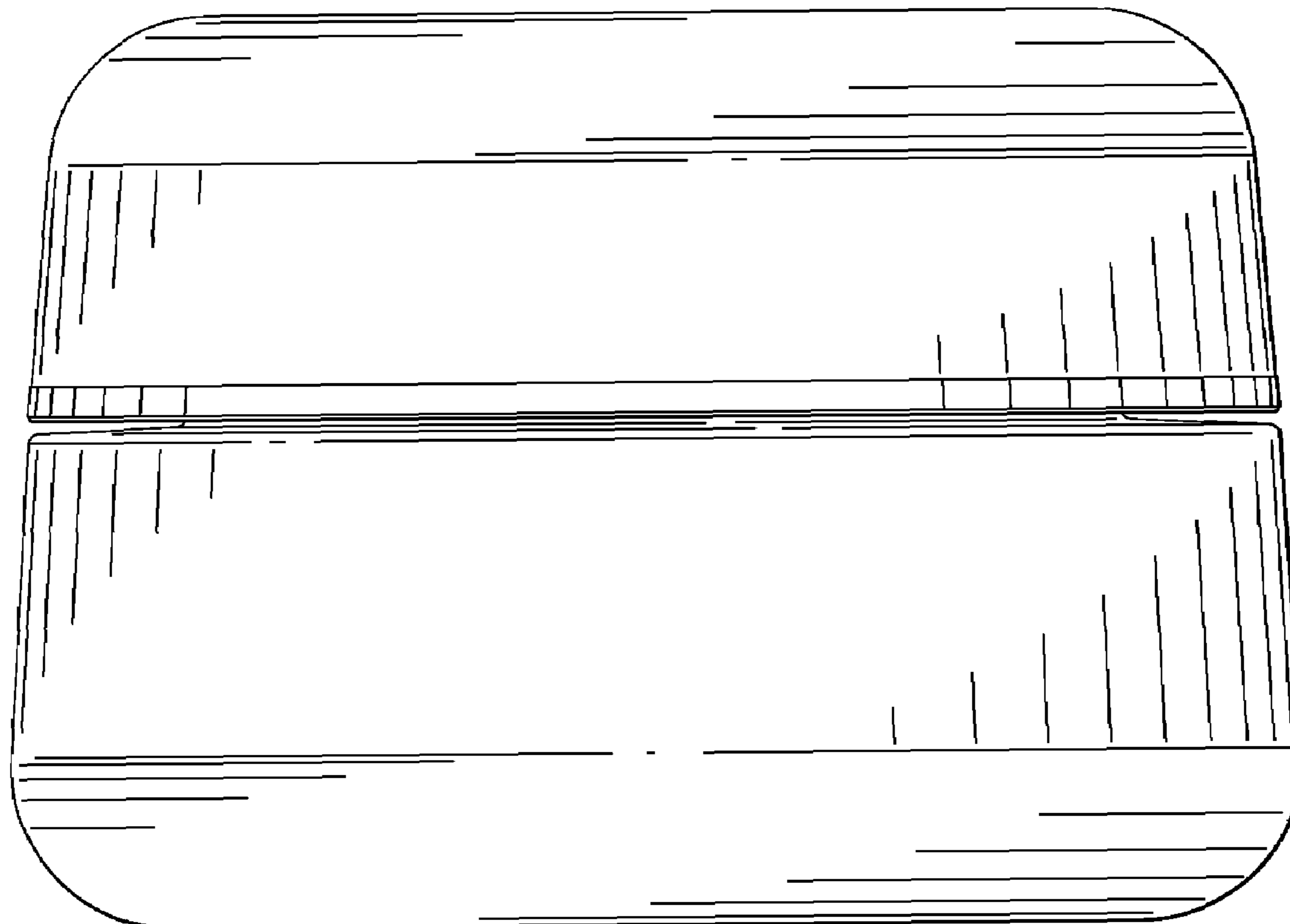
FIG. 3 is a top plan view thereof;

FIG. 4 is a bottom plan view thereof; and,

FIG. 5 is a bottom, front perspective view thereof.

FIGS. 4 and 5 show portions of the package in phantom lines. The portions shown in phantom lines form no part of the claimed design.

1 Claim, 4 Drawing Sheets



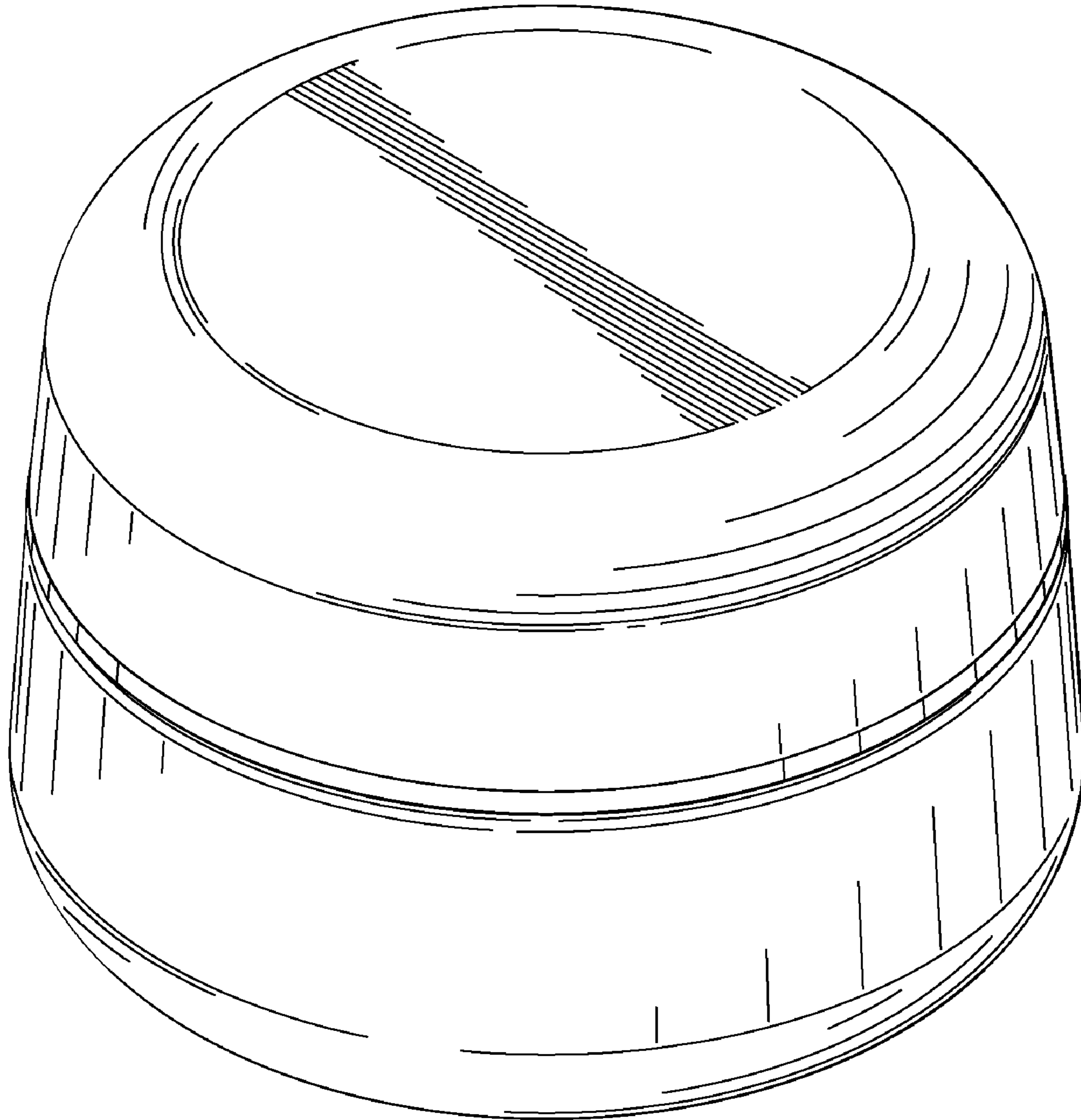


FIG. 1

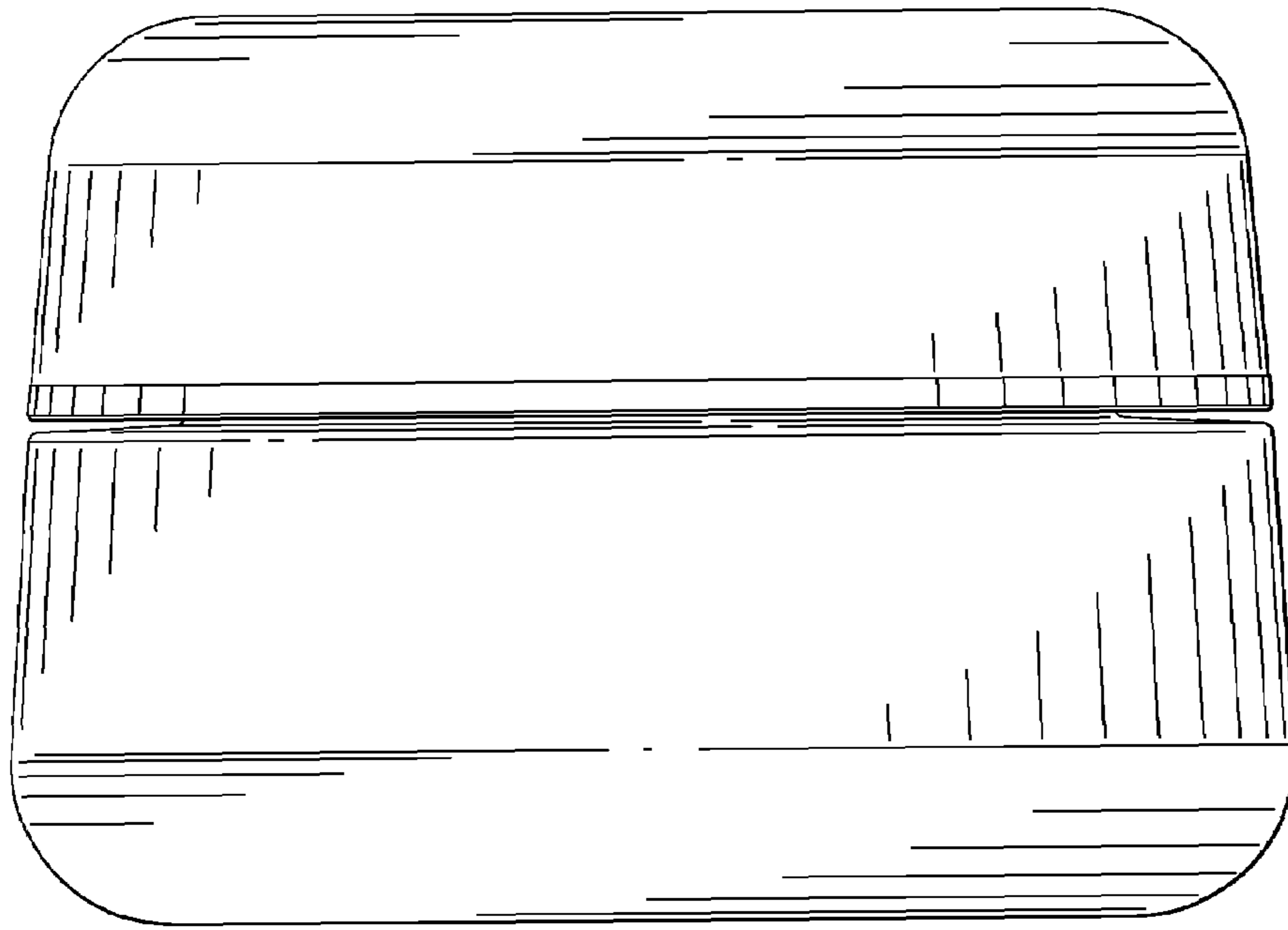


FIG. 2

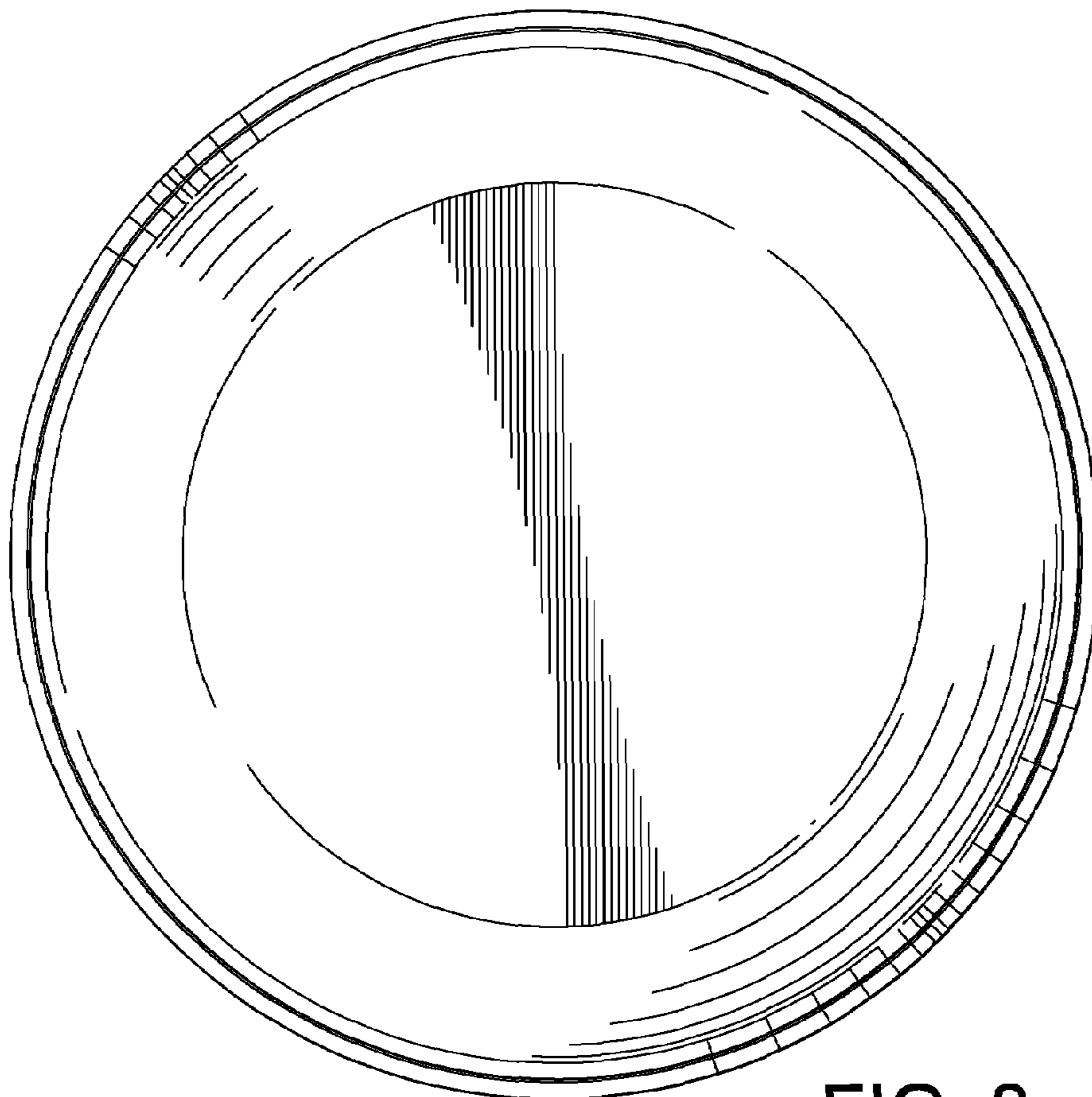


FIG. 3

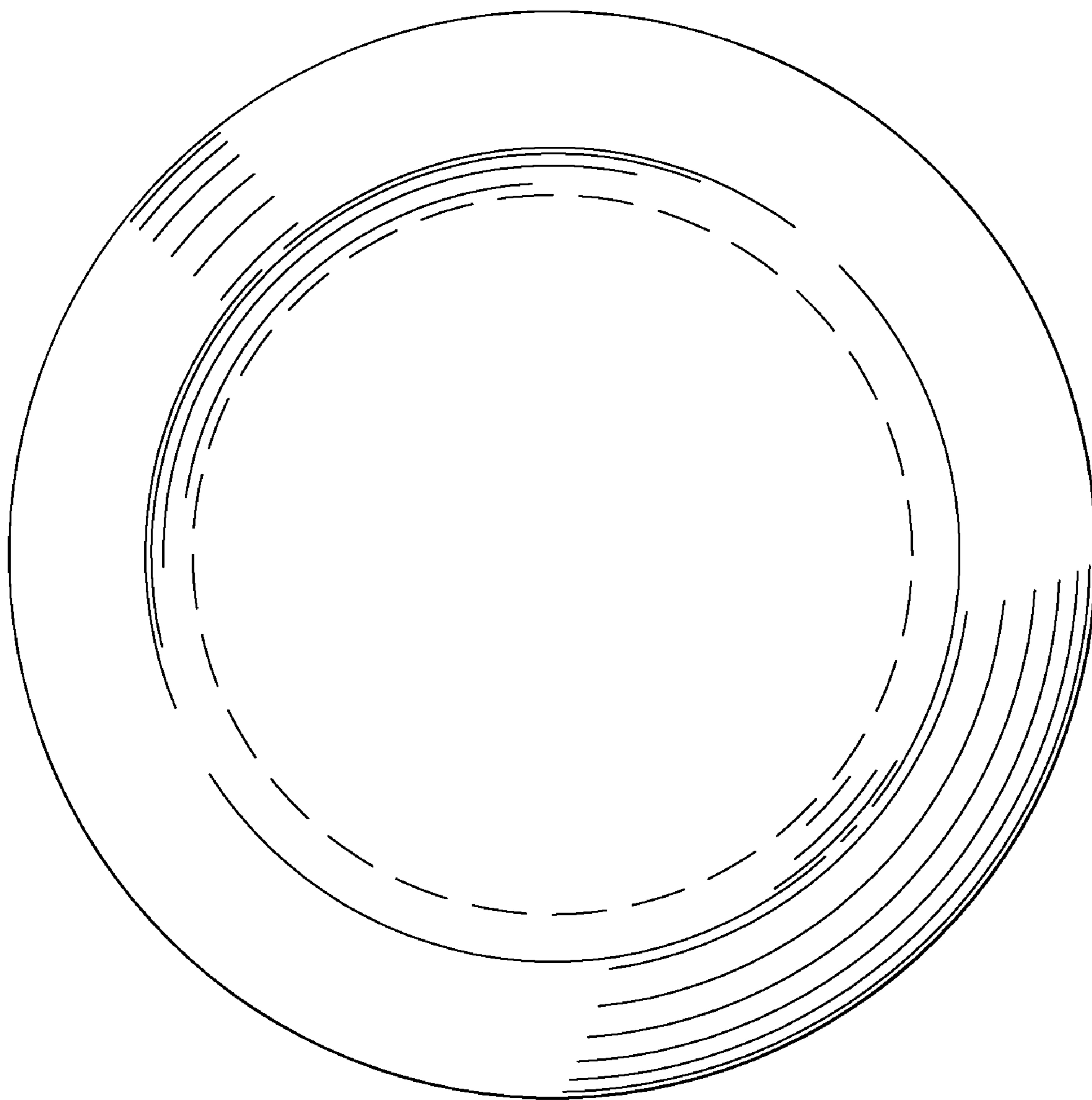


FIG. 4

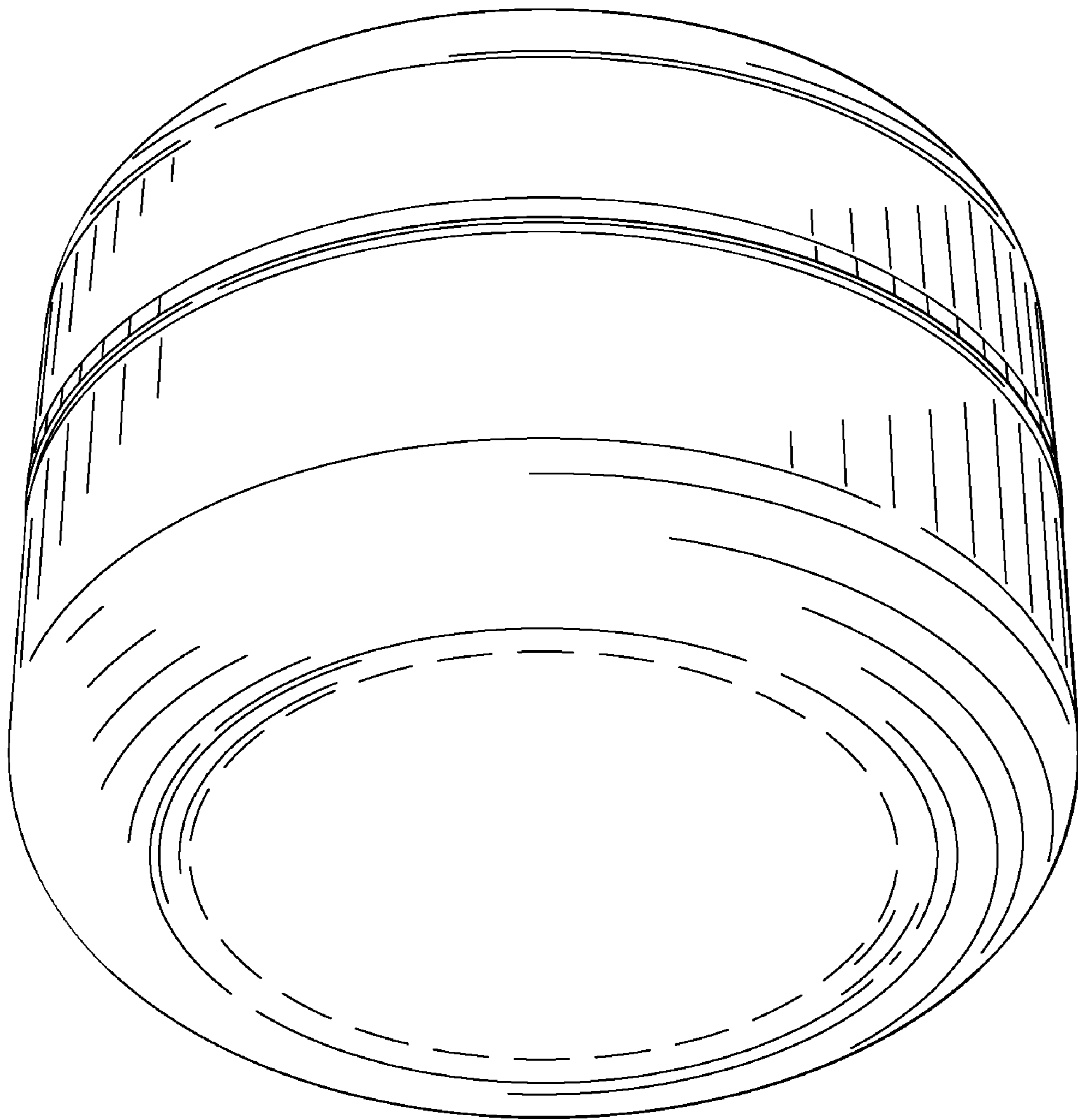


FIG. 5