



US00D567086S

(12) **United States Design Patent** (10) **Patent No.:** **US D567,086 S**
Buchman et al. (45) **Date of Patent:** **** Apr. 22, 2008**

(54) **TWIST OFF LID**

(74) *Attorney, Agent, or Firm*—Merchant & Gould P.C.

(75) Inventors: **James E. Buchman**, Hortonville, WI (US); **Erica L. Gretz**, Appleton, WI (US)

(57) **CLAIM**

The ornamental design for twist off lid, as shown and described.

(73) Assignee: **Reynolds Consumer Products, Inc.**, Richmond, VA (US)

DESCRIPTION

(**) Term: **14 Years**

FIG. 1 is a perspective view of a twist off lid according to our new design;

(21) Appl. No.: **29/284,171**

FIG. 2 is another perspective view of the twist off lid of FIG. 1;

(22) Filed: **Aug. 31, 2007**

FIG. 3 is a front elevational view thereof;

(51) **LOC (8) Cl.** **09-07**

FIG. 4 is a rear elevational view thereof;

(52) **U.S. Cl.** **D9/454; D9/453**

FIG. 5 is a top plan view thereof;

(58) **Field of Classification Search** D9/780, D9/763, 539, 516, 454, 453, 449, 447, 440, D9/439, 438, 436, 435, 452; D34/39; 222/570, 222/569, 547, 464.1, 185.1, 565; 220/257.1; 215/341; 137/845, 844; D7/392, 392.1, D7/505; D32/54

FIG. 6 is bottom plan view thereof;

FIG. 7 is a right elevational view thereof; the left elevational view being a mirror-image thereof;

See application file for complete search history.

FIG. 8 is a perspective view of a second embodiment of a twist off lid made according to my new design, the portions shown in broken lines forming no part of the design sought to be patented;

(56) **References Cited**

U.S. PATENT DOCUMENTS

D100,515 S	7/1936	Fleisch	
2,721,595 A	10/1955	Nichols	
2,985,354 A	5/1961	Aldington	
D192,945 S	5/1962	Foss et al.	
3,065,875 A	11/1962	Negoro	
3,122,296 A	2/1964	Fotos	
3,128,903 A	4/1964	Crisci	
D201,320 S *	6/1965	Hirohama D9/453
3,262,602 A	7/1966	McConnell et al.	
3,281,001 A	10/1966	Stuart	

FIG. 9 is another perspective view of the twist off lid of FIG. 8, the portions shown in broken lines forming no part of the design sought to be patented; and

FIG. 10 is a top plan view of the embodiment of FIG. 8, the portions shown in broken lines forming no part of the design sought to be patented; and,

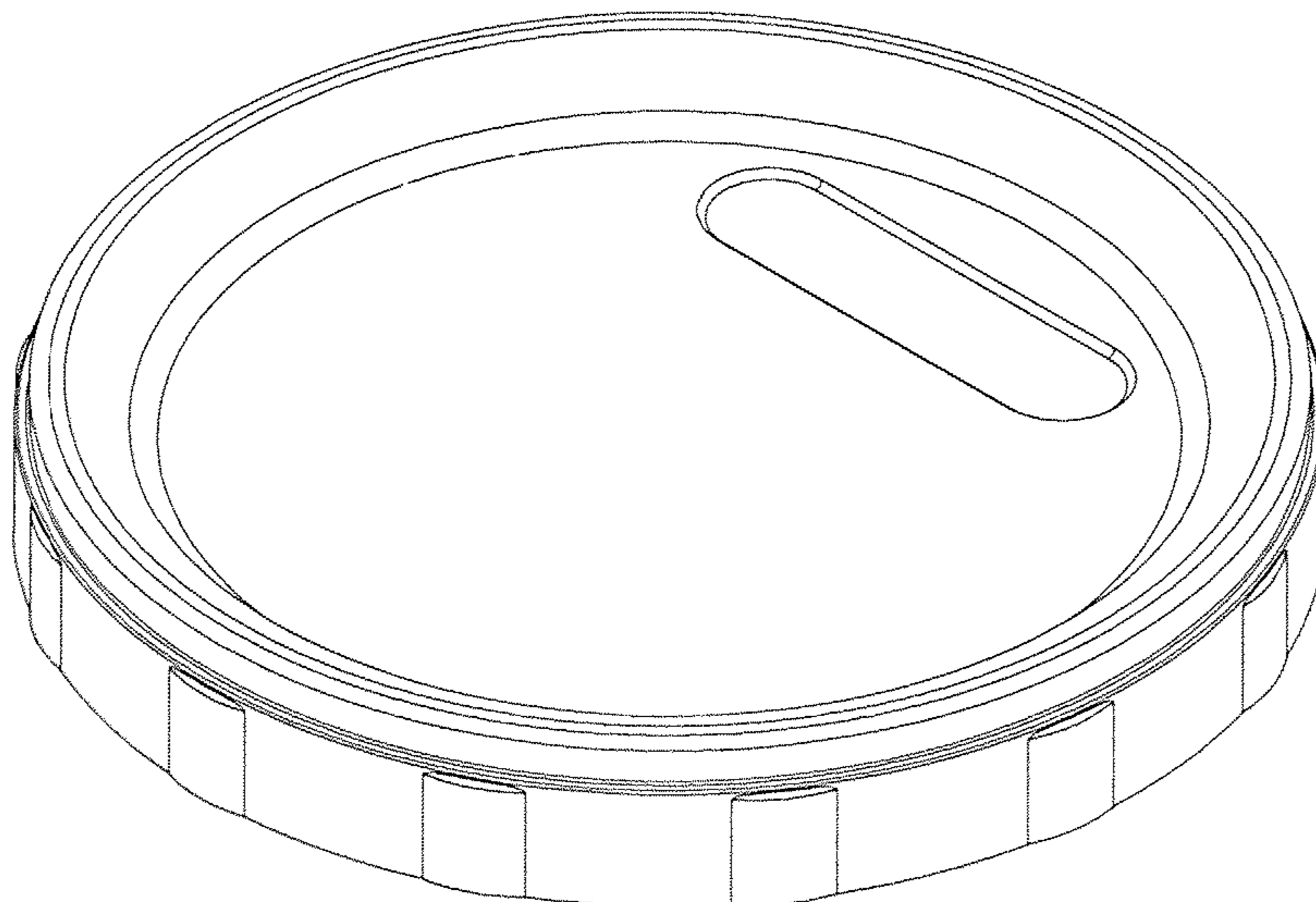
FIG. 11 is a bottom plan view of the embodiment of FIG. 8, the portions shown in broken lines forming no part of the design sought to be patented.

The front elevational, rear elevational, left elevational, and right elevational having the same appearances as FIGS. 3, 4, and 7, respectively.

(Continued)

Primary Examiner—Gary D. Watson
Assistant Examiner—Susan Bennett Hattan

1 Claim, 8 Drawing Sheets



US D567,086 S

U.S. PATENT DOCUMENTS							
3,349,941	A	10/1967	Wanderer	5,293,997	A	3/1994	Hustad et al.
3,360,162	A	12/1967	Miles	5,297,688	A	3/1994	Beck et al.
D210,168	S	2/1968	Plochman, Jr.	5,310,074	A	5/1994	Jochem et al.
3,381,872	A	5/1968	Holder et al.	5,344,021	A	9/1994	Rose
3,401,825	A	9/1968	Weiss	5,348,181	A	9/1994	Smith et al.
3,424,342	A	1/1969	Scopp et al.	D351,795	S	10/1994	Ogden
3,520,441	A	7/1970	Fitzgerald	5,356,026	A	10/1994	Andress et al.
3,527,372	A	9/1970	Manning	5,388,714	A	2/1995	Zutler
3,539,552	A	11/1970	Mounts et al.	5,390,797	A	2/1995	Smalley et al.
D221,420	S	8/1971	Davis	5,489,036	A	2/1996	Arkins
3,613,938	A	10/1971	Westcott	D367,818	S	3/1996	Zana D9/454
3,615,039	A	10/1971	Ward	D369,942	S	5/1996	Ahern, Jr.
3,653,575	A	4/1972	Schrepper	5,542,234	A	8/1996	Wyslotsky et al.
3,677,435	A	7/1972	Davis	D374,178	S	10/1996	Valls et al.
3,737,093	A	6/1973	Amberg et al.	5,624,051	A	4/1997	Ahern, Jr. et al.
3,743,133	A	7/1973	Rathbun	D390,109	S	2/1998	Tucker et al.
3,759,416	A	9/1973	Constantine	D392,187	S	3/1998	King
3,773,207	A	11/1973	Dokoupil et al.	D394,184	S	5/1998	Demore
3,779,418	A	12/1973	Davis	5,758,791	A	6/1998	Mangla
3,797,694	A	3/1974	See et al.	5,758,793	A	6/1998	Forsyth et al.
D235,621	S	7/1975	Cawrse	5,806,710	A	9/1998	Shiffer et al.
D244,357	S	5/1977	Gardiner	5,823,345	A	10/1998	Nask et al.
4,027,776	A	6/1977	Douglas	5,894,953	A	4/1999	Ramirez
4,058,247	A	11/1977	Florian	5,896,993	A	4/1999	Nask et al.
4,082,184	A	4/1978	Hammer	D411,714	S	6/1999	Wilson et al.
D248,217	S	6/1978	Allen et al.	D411,741	S	6/1999	Wilson et al.
4,157,144	A	6/1979	Weiler et al.	5,938,055	A	8/1999	Philips et al.
4,241,841	A	12/1980	Boller	D415,684	S	10/1999	Reidenbach
4,279,358	A	7/1981	Jacobs	5,972,292	A	10/1999	DeMeo
4,306,664	A	12/1981	Bawden	5,992,679	A	11/1999	Porchia et al.
D266,906	S	11/1982	Guerette	D418,757	S	1/2000	Reidenbach
D267,703	S	1/1983	Chase et al.	D428,310	S	7/2000	Zettle et al.
4,399,926	A	8/1983	Eidels-Dubovoy	D428,777	S	8/2000	Hayes et al.
4,412,630	A	11/1983	Daenen	6,105,810	A	8/2000	Daenen et al.
4,444,332	A	4/1984	Widen et al.	6,135,286	A	10/2000	Strumor
4,471,878	A	9/1984	Davis et al.	6,164,484	A	12/2000	Fiore et al.
4,474,305	A	10/1984	Marco	6,168,044	B1	1/2001	Zettle et al.
4,504,009	A	3/1985	Boik et al.	6,170,696	B1	1/2001	Tucker et al.
D286,844	S	11/1986	Daenen et al.	D440,470	S	4/2001	Tucker et al.
D292,380	S	10/1987	Smith	D440,830	S	4/2001	Tucker et al.
4,727,998	A	3/1988	Simon	6,213,301	B1	4/2001	Landis et al.
4,765,506	A	8/1988	Fishman et al.	6,213,302	B1	4/2001	Sanders et al.
4,787,527	A	11/1988	Monetti	6,216,905	B1	4/2001	Mogard et al.
4,809,868	A	3/1989	Pomroy	6,217,136	B1	4/2001	Dorfman et al.
4,819,824	A	4/1989	Longbottom et al.	D442,484	S	5/2001	Maxwell et al.
D301,691	S	6/1989	Mobberley	D442,860	S	5/2001	Symons et al.
4,836,407	A	6/1989	Bruce et al.	6,230,924	B1	5/2001	Weiss et al.
4,844,263	A	7/1989	Hadtko	D443,184	S	6/2001	Maxwell et al.
D305,002	S	12/1989	Hayes et al.	D443,484	S	6/2001	Maxwell et al.
D305,003	S	12/1989	Hayes et al.	D443,798	S	6/2001	Tucker et al.
4,917,261	A	4/1990	Borst	D445,649	S	7/2001	Maxwell et al.
D312,400	S	11/1990	Schwaikert	D445,650	S	7/2001	Maxwell et al.
4,974,742	A	12/1990	Farrell et al.	6,257,434	B1	7/2001	Lizzio
D313,353	S	1/1991	Hart et al.	6,260,729	B1	7/2001	Mitchell et al.
4,986,438	A	1/1991	Borst	6,260,731	B1	7/2001	Cummings
D315,503	S	3/1991	Hart et al.	D446,077	S	8/2001	Tucker et al.
5,012,928	A	5/1991	Proffit et al.	D446,450	S	8/2001	Zettle et al.
5,040,682	A	8/1991	Palisin, Jr. et al.	6,273,258	B1	8/2001	Piacenza
D319,978	S	9/1991	Wolff	6,276,555	B1	8/2001	Edwards
D320,744	S	10/1991	Palisin, Jr.	D447,382	S	9/2001	Tucker et al.
D321,652	S	11/1991	Palisin, Jr.	D448,288	S	9/2001	Zettle et al.
5,065,889	A	11/1991	Conti	D448,297	S	9/2001	Sindermann
D322,032	S	12/1991	Palisin, Jr.	6,283,298	B1	9/2001	Seidler
D322,033	S	12/1991	Palisin, Jr. et al.	D448,991	S	10/2001	Zettle et al.
D327,849	S	7/1992	Armstrong	D449,495	S	10/2001	Tucker et al.
D328,014	S	7/1992	DeCoster et al.	6,305,546	B1	10/2001	Saunders et al.
D329,595	S	9/1992	Kung	D450,983	S	11/2001	Tucker et al.
5,143,219	A	9/1992	Yates, Jr.	6,325,234	B1	12/2001	Lagaspi
5,147,059	A	9/1992	Olsen et al.	6,343,709	B1	2/2002	DeForrest et al.
5,161,713	A	* 11/1992	English 222/565	6,349,820	B1	2/2002	Kelley et al.
D339,525	S	9/1993	Morris, Sr.	6,364,112	B1	4/2002	Pitschka
				6,364,152	B1	4/2002	Poslinski et al.
				6,382,440	B1	5/2002	Brant et al.

US D567,086 S

Page 3

D458,138 S	6/2002	Fuchs	D506,359 S	6/2005	Zettle et al.
D462,012 S	8/2002	Manderfield, Jr.	D507,155 S	7/2005	Gosen et al.
6,439,412 B2	8/2002	Luch	D507,937 S	8/2005	Dais et al.
D462,880 S	9/2002	Maxwell et al.	D508,187 S	8/2005	Dais et al.
D463,281 S	9/2002	Druitt	D508,188 S	8/2005	Zettle et al.
D465,154 S	11/2002	O'Brien	D510,523 S	10/2005	Pitman et al.
D466,299 S	12/2002	Zimmerman	D517,322 S	3/2006	Zettle et al.
D471,813 S	3/2003	Shenkar	D519,373 S	4/2006	Pitman et al.
D474,068 S *	5/2003	Fujii et al. D7/392.1	D525,826 S *	8/2006	Kugler D7/392.1
D474,377 S	5/2003	Holsinger	D543,777 S *	6/2007	Seum et al. D7/392.1
D475,923 S	6/2003	Renz	D545,618 S	7/2007	Zettle et al.
D476,898 S	7/2003	Schuller et al.			
6,637,611 B2	10/2003	Luch			
D503,667 S	4/2005	Keefer et al.			

* cited by examiner

FIG. 1

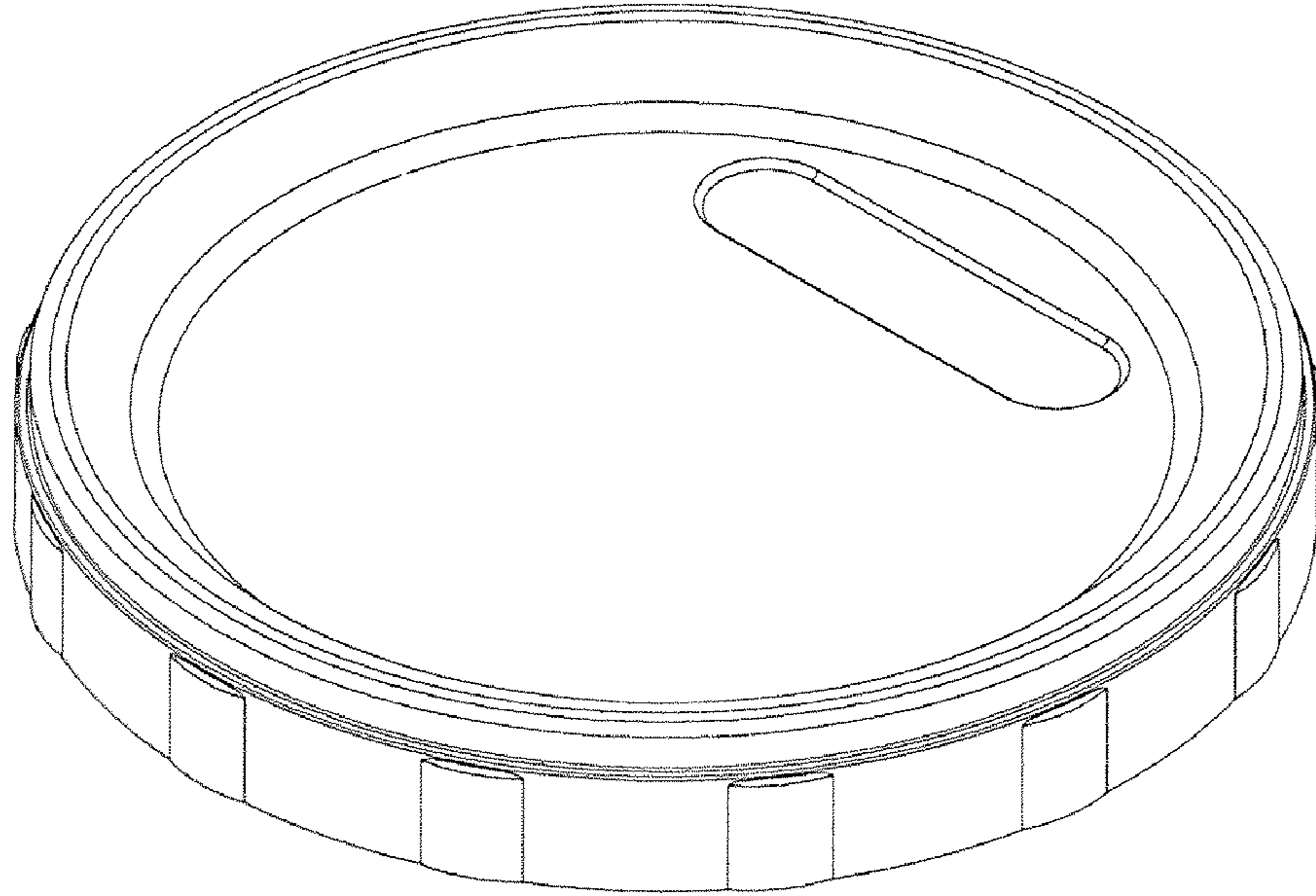


FIG. 2

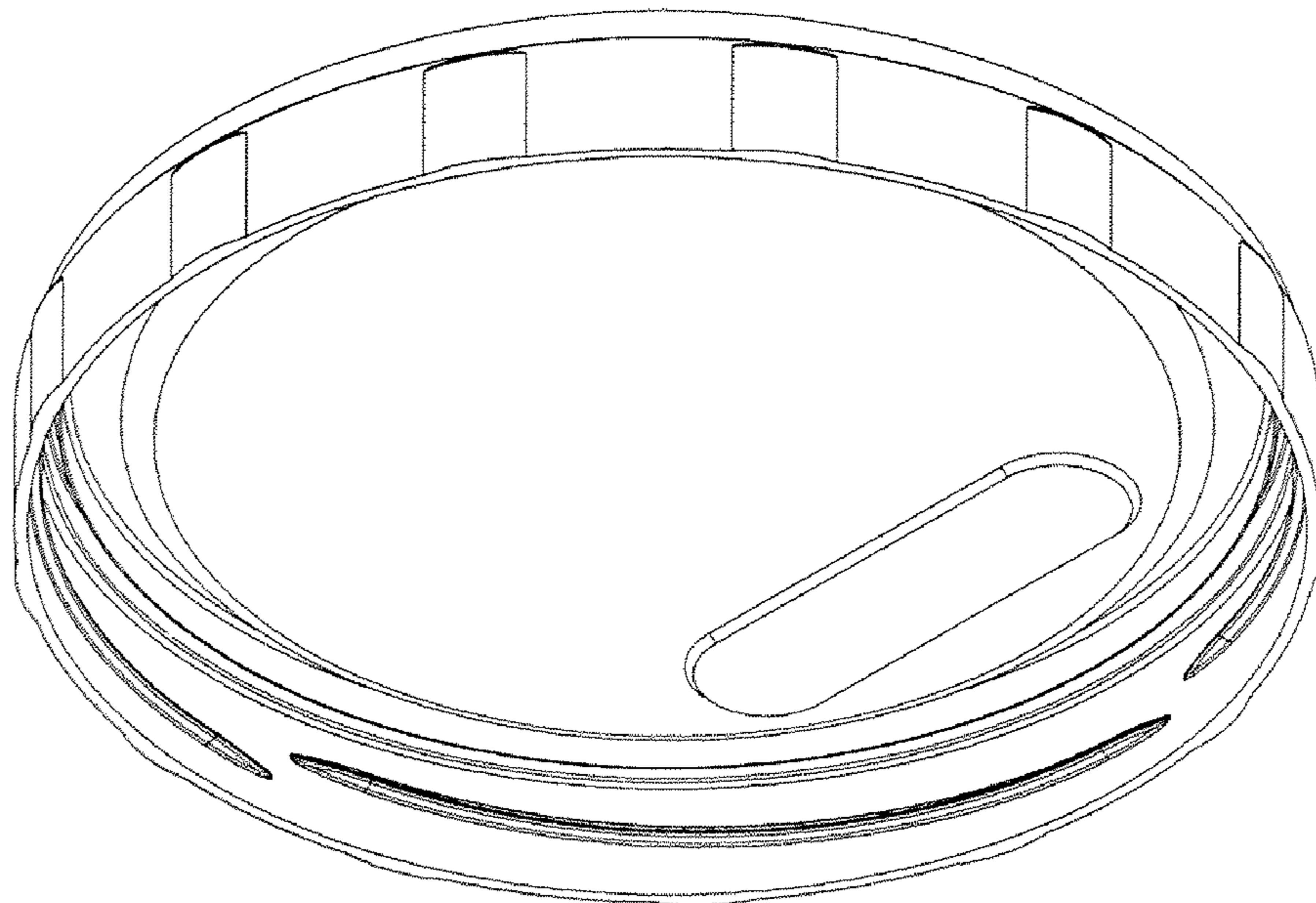


FIG. 3

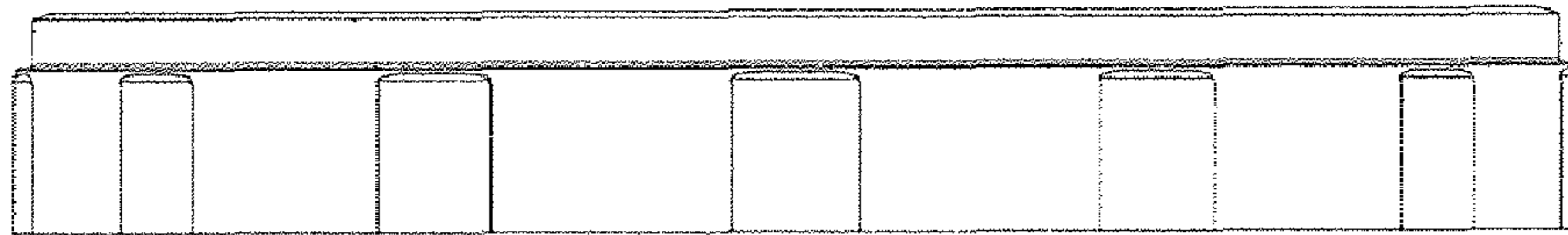


FIG. 4

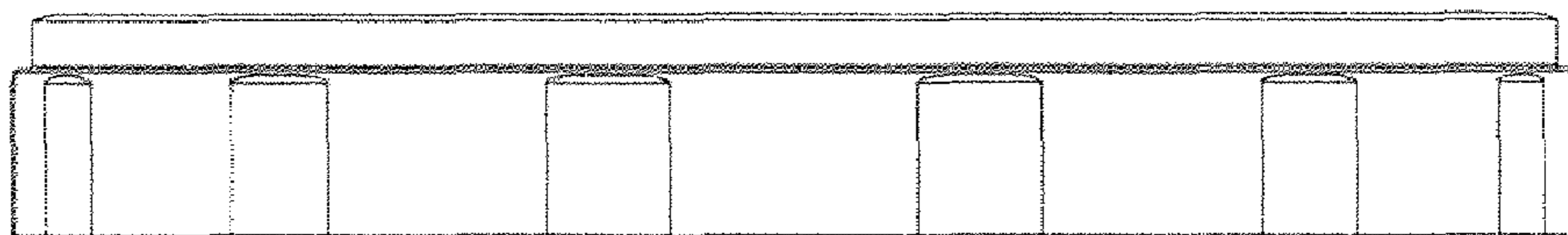


FIG. 5

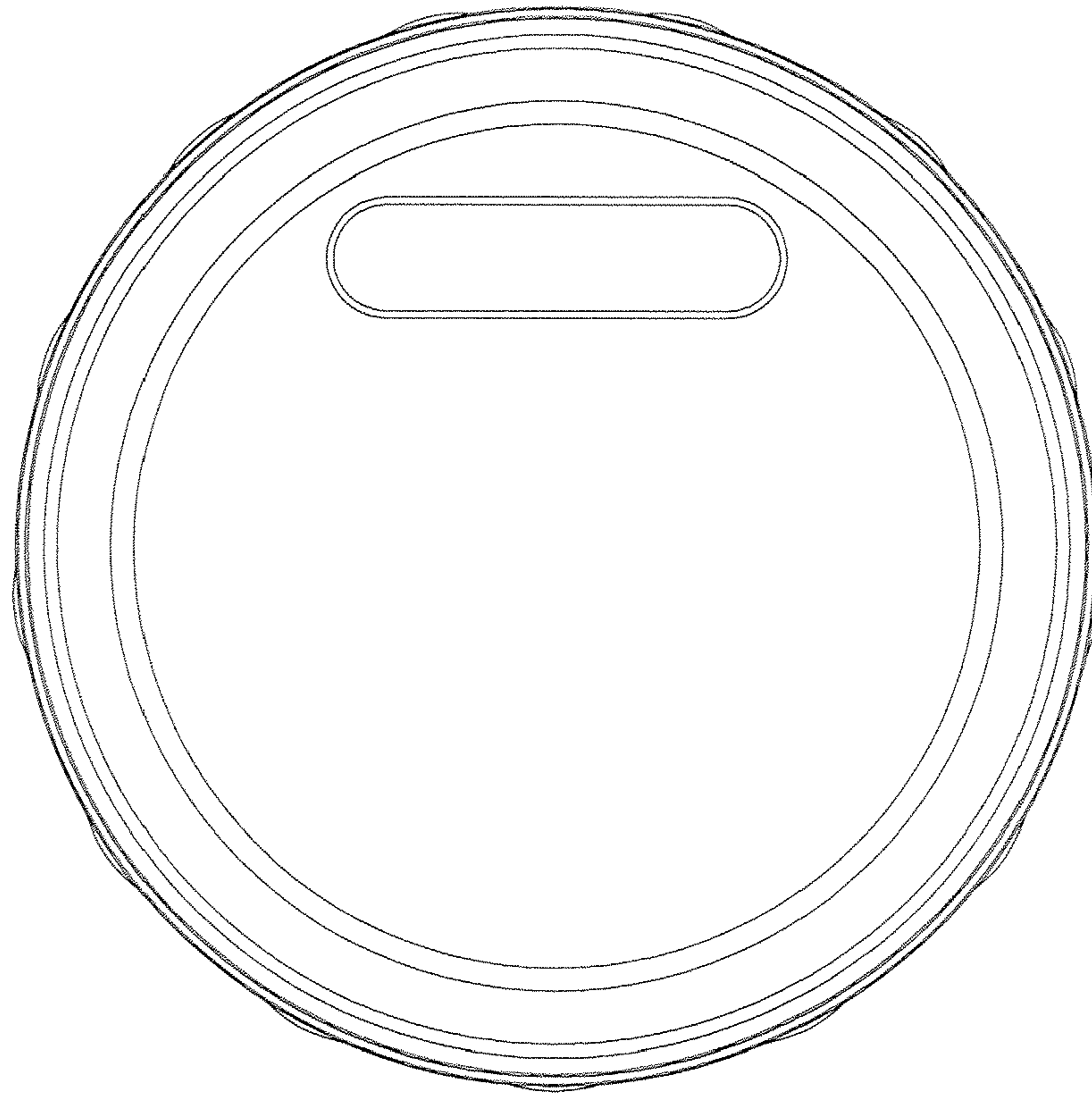


FIG. 6

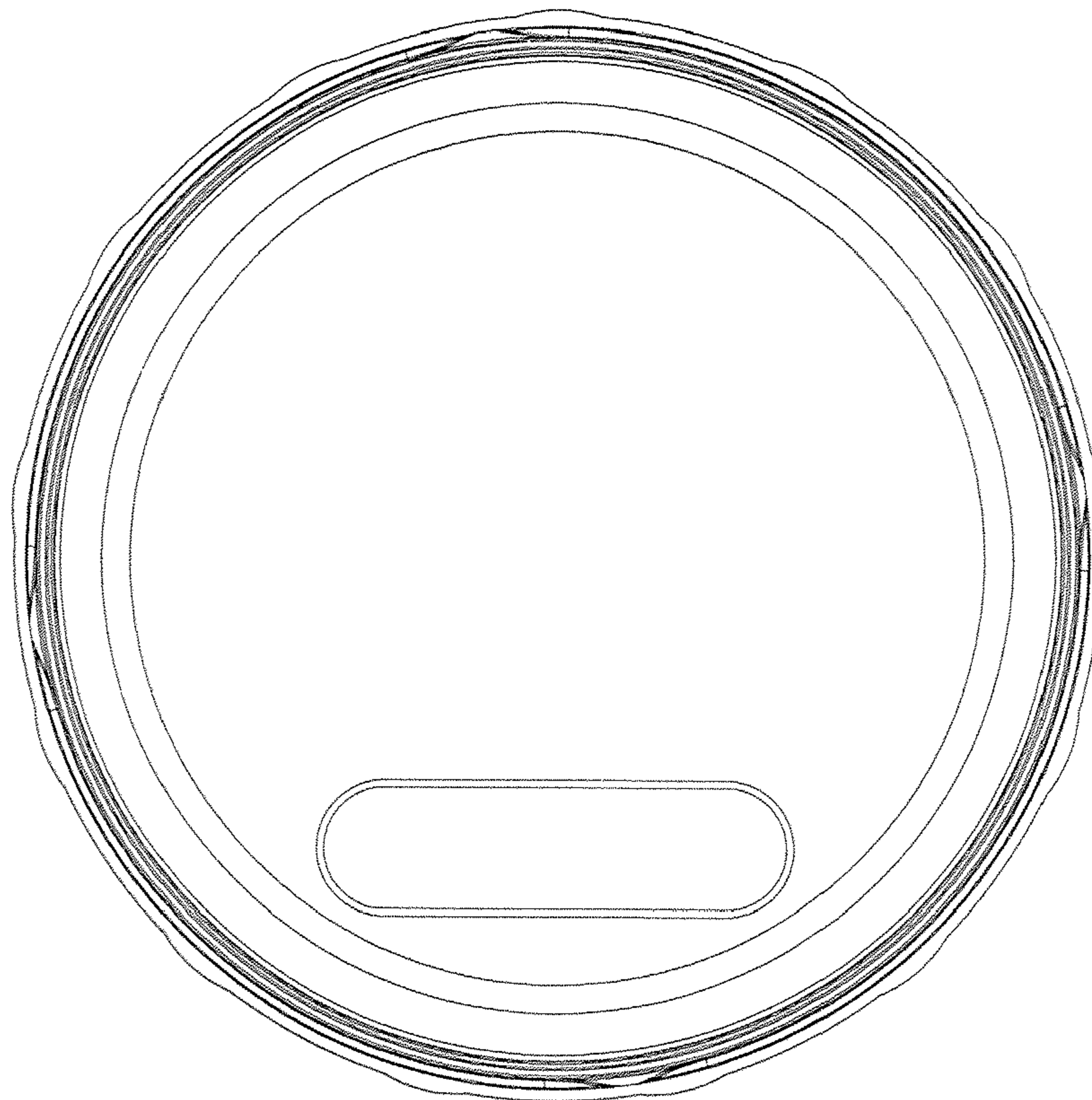
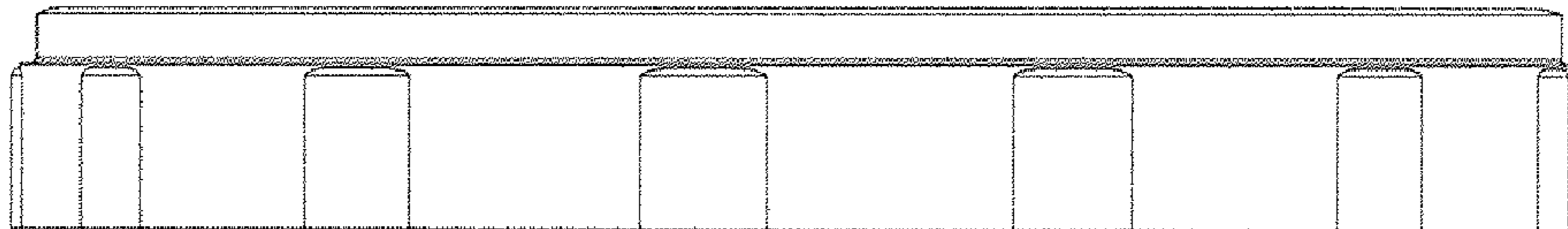


FIG. 7



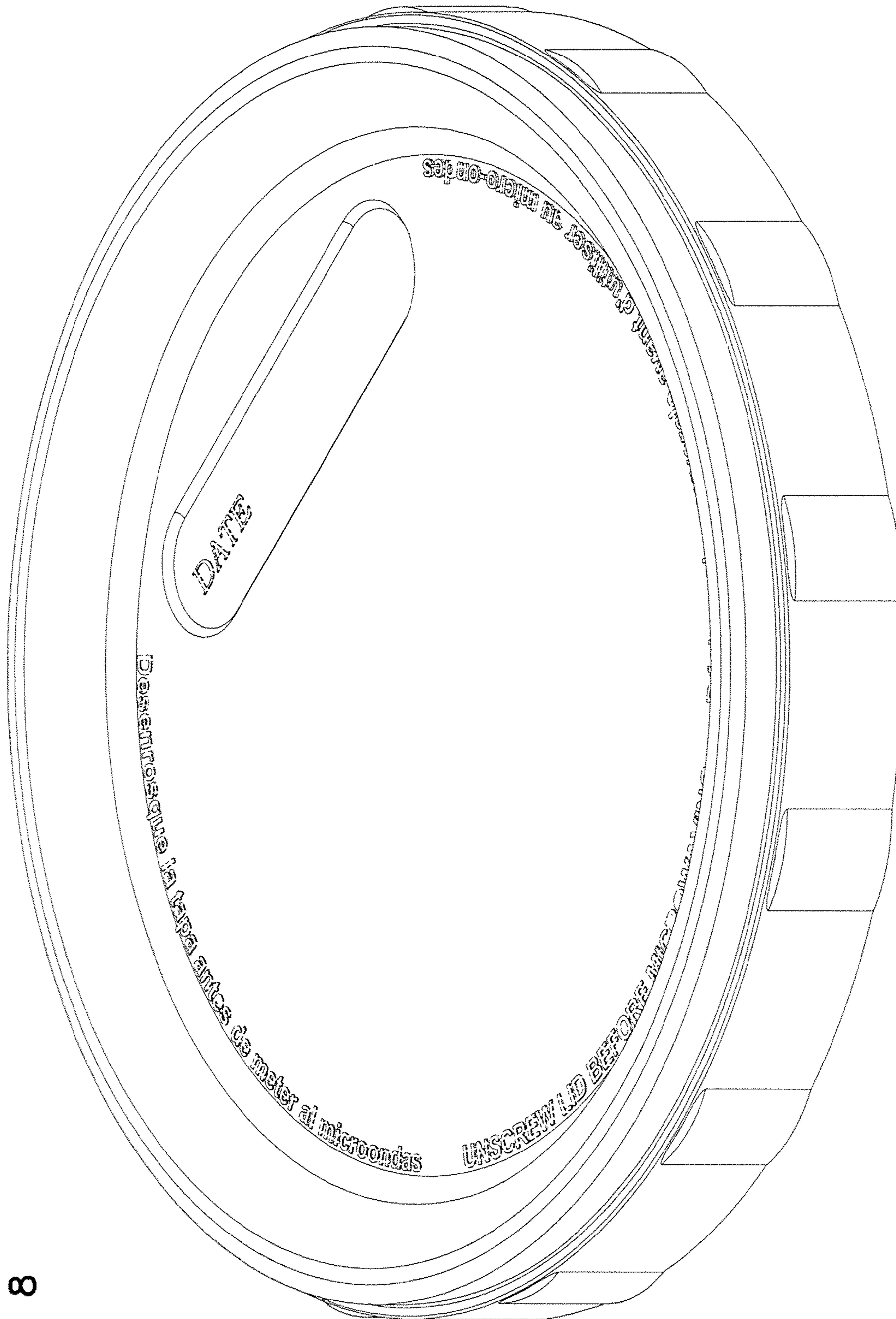


FIG. 8

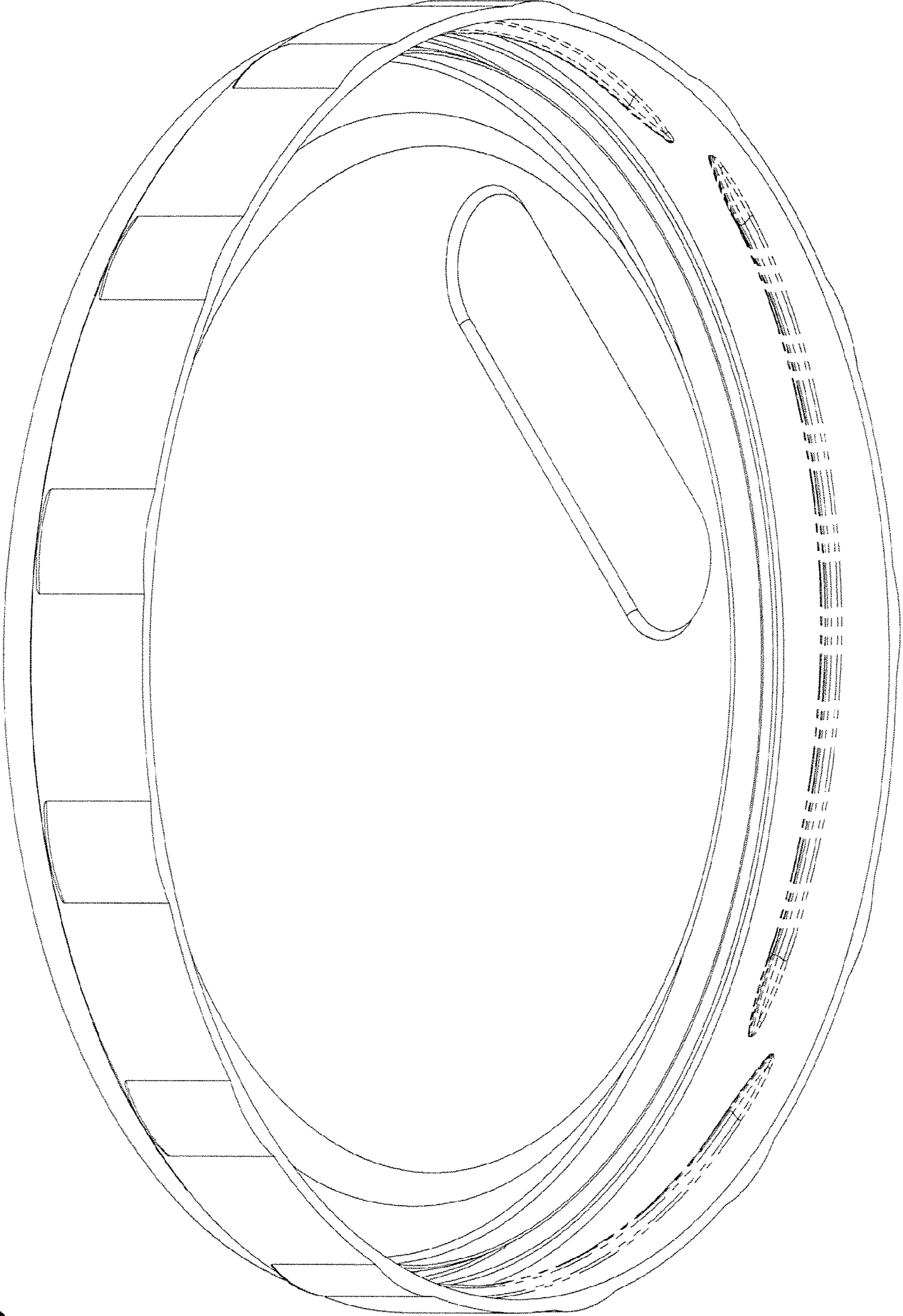


FIG. 9



FIG. 10

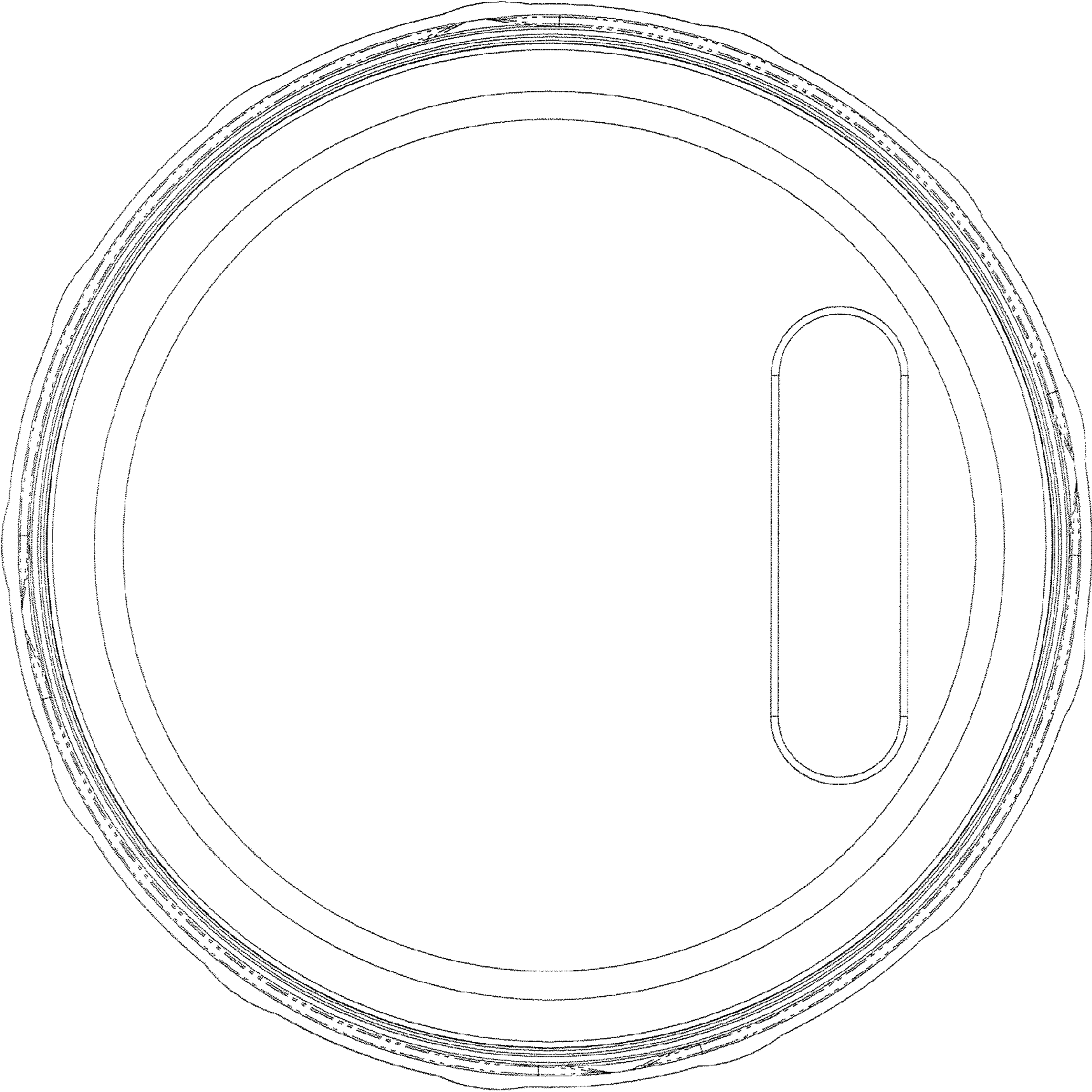


FIG. 11