



US00D567085S

(12) **United States Design Patent**
Rim et al.

(10) **Patent No.:** **US D567,085 S**

(45) **Date of Patent:** **** Apr. 22, 2008**

(54) **CAP FOR A BOTTLE FOR A LIQUID DISPENSER**

(75) Inventors: **Yong Soo Rim**, Daejeon (KR); **Yong Ho Kwon**, Daejeon (KR)

(73) Assignee: **Barflex Corporation**, Daejeon (KR)

(**) Term: **14 Years**

(21) Appl. No.: **29/282,445**

(22) Filed: **Jul. 20, 2007**

(30) **Foreign Application Priority Data**

Jun. 25, 2007 (KR) 30-2007-0027178

(51) **LOC (8) Cl.** **09-07**

(52) **U.S. Cl.** **D9/454; D9/439; D9/440**

(58) **Field of Classification Search** D9/780,
D9/763, 539, 516, 454, 453, 449, 447, 440,
D9/439, 438, 436, 435, 452; D34/39; 222/570,
222/569, 547, 464.1, 185.1; 220/257.1; 215/341;
137/845, 844; D7/392, 505; D32/54
See application file for complete search history.

(56) **References Cited**

U.S. PATENT DOCUMENTS

D128,058	S	*	7/1941	Schultz	D9/452
2,248,731	A	*	7/1941	Young	137/845
3,957,078	A	*	5/1976	Hlinsky	137/845
D247,549	S	*	3/1978	Klees	D9/439
D292,676	S	*	11/1987	Mileto	D9/454
5,139,166	A	*	8/1992	Smith	D7/505

D364,809	S	*	12/1995	Thomas	D9/439
D383,275	S	*	9/1997	Hebert	D32/54
D553,498	S	*	10/2007	Cooney	D9/454
D553,819	S	*	10/2007	Brothers	D32/54
D556,037	S	*	11/2007	D'Amato	D9/454

* cited by examiner

Primary Examiner—Gary D. Watson

Assistant Examiner—Susan Bennett Hattan

(74) *Attorney, Agent, or Firm*—Sughrue Mion PLLC

(57) **CLAIM**

The cap for a bottle for a liquid dispenser, as shown and described.

DESCRIPTION

FIG. 1 is a perspective view of a cap for a bottle for a liquid dispenser showing our new design;

FIG. 2 is a front view thereof;

FIG. 3 is a rear view thereof;

FIG. 4 is a left side view thereof;

FIG. 5 is a right side view thereof;

FIG. 6 is a top plan view thereof;

FIG. 7 is a bottom plan view thereof; and,

FIG. 8 shows a cap for a bottle for a liquid dispenser in an environment of use, the broken line showing of a bottle with contents, cover and dispenser forming no part of the claimed design.

1 Claim, 4 Drawing Sheets

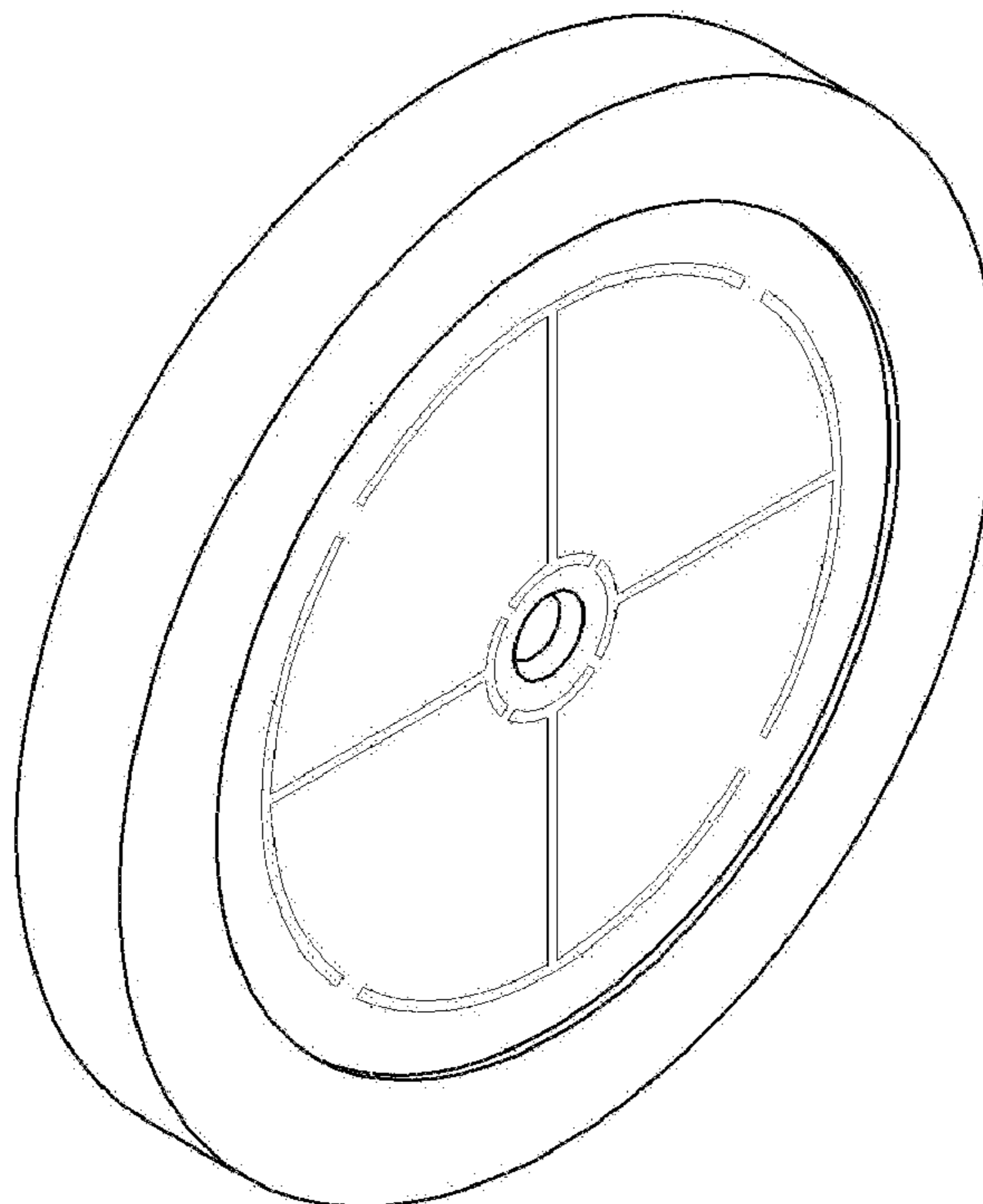


Fig. 1

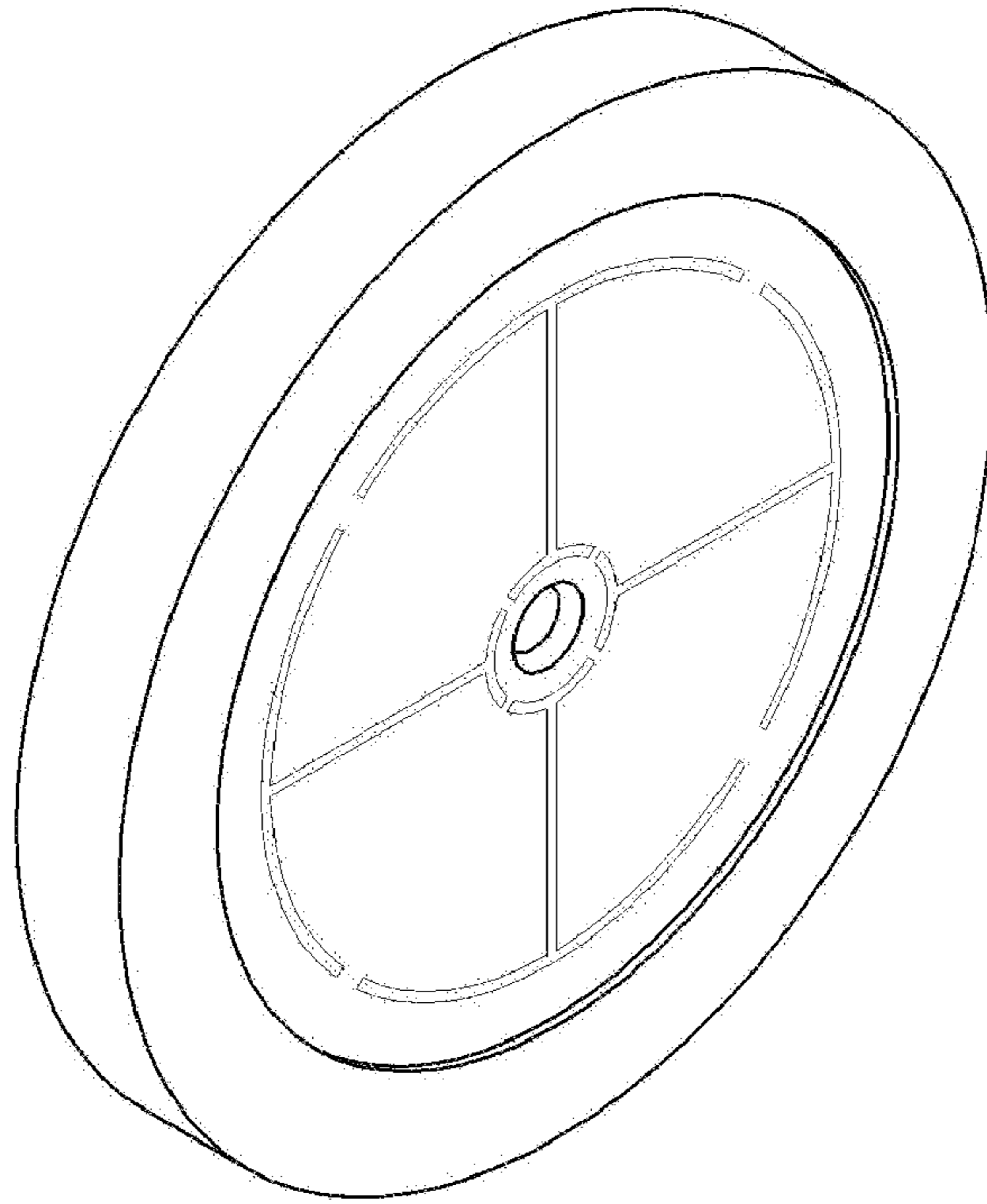


Fig. 2

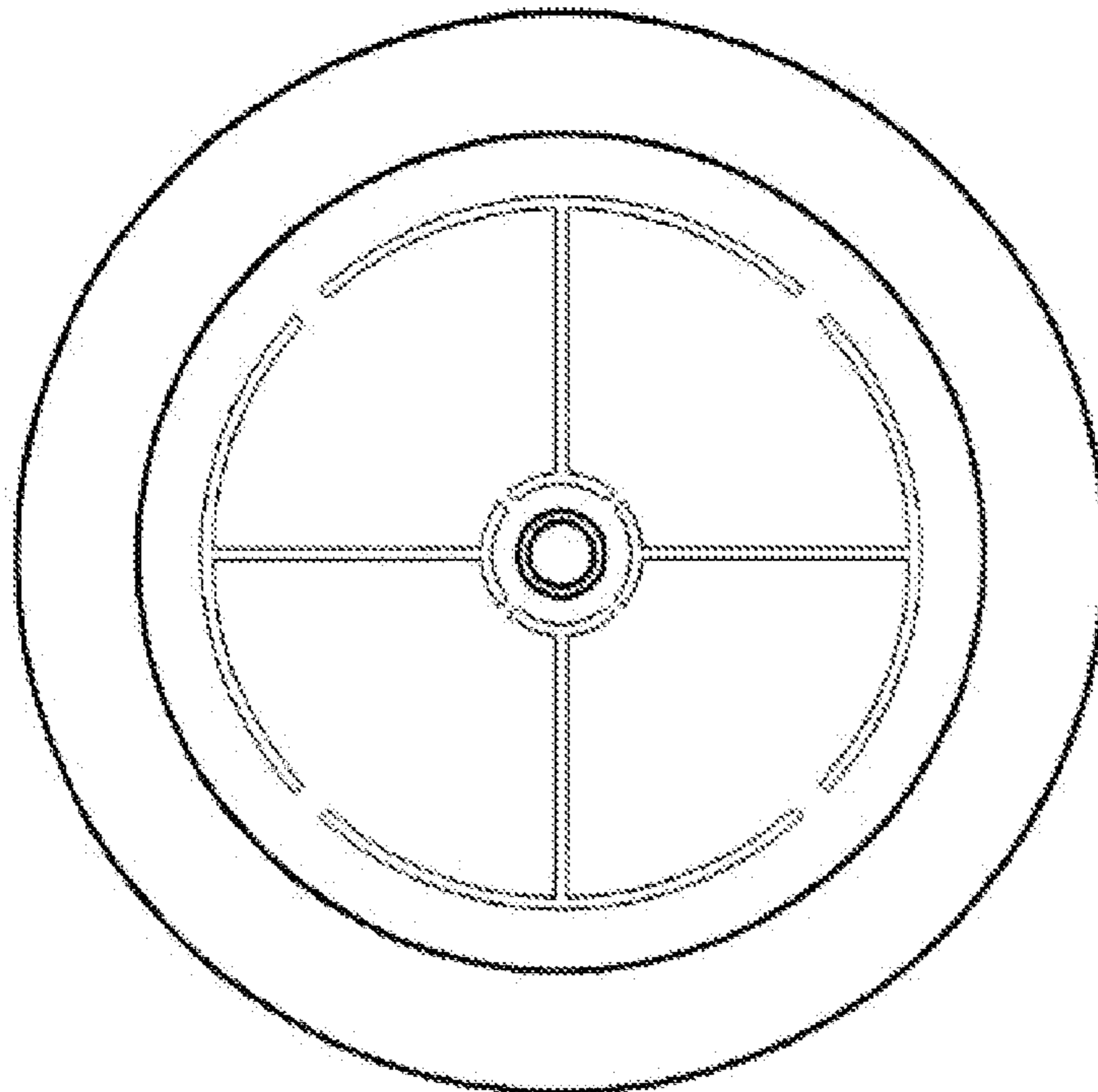


Fig. 3

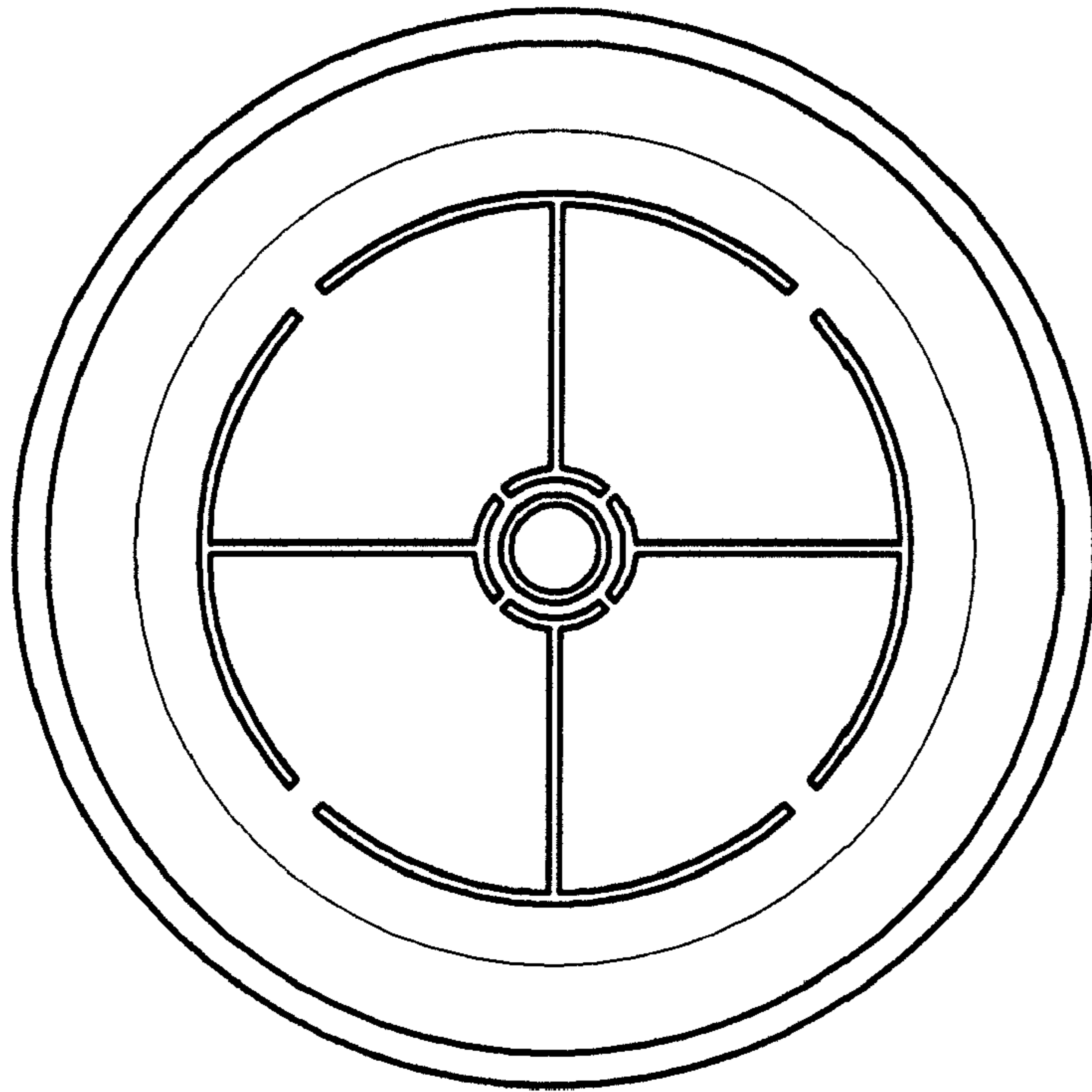


Fig. 4

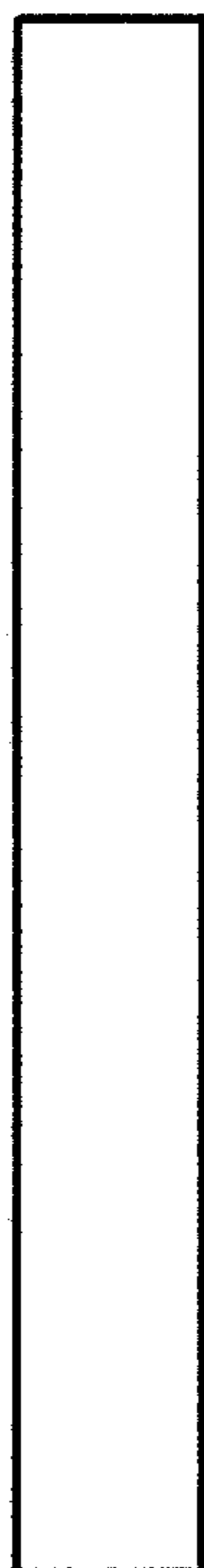


Fig. 5

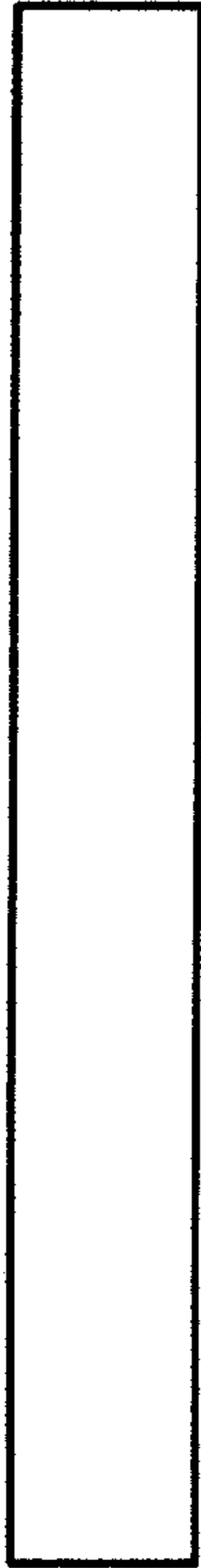


Fig. 6



Fig. 7

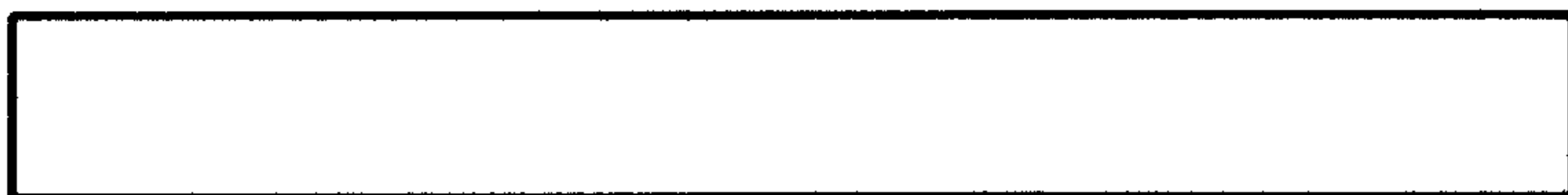


Fig. 8

