



US00D567084S

(12) **United States Design Patent**
Batton et al.

(10) **Patent No.:** **US D567,084 S**
(45) **Date of Patent:** **** Apr. 22, 2008**

(54) **BOTTLE PLUG**

(75) Inventors: **Richard A. Batton**, Milwaukee, WI (US); **Paul Larson**, Racine, WI (US); **Jonathan A. Boticki**, Racine, WI (US)

(73) Assignee: **JohnsonDiversey, Inc.**, Sturtevant, WI (US)

(**) Term: **14 Years**

(21) Appl. No.: **29/250,965**

(22) Filed: **Dec. 7, 2006**

(51) **LOC (8) Cl.** **09-07**

(52) **U.S. Cl.** **D9/454; D9/440**

(58) **Field of Classification Search** D9/780,
D9/763, 539, 516, 454, 453, 449, 447, 440,
D9/439, 438, 436, 435, 455; D34/39; 222/570,
222/569, 547, 464.1, 185.1; 220/257.1, 709;
215/341; 137/845, 844; D7/392; D18/43;
141/383

See application file for complete search history.

(56) **References Cited**

U.S. PATENT DOCUMENTS

4,603,714	A *	8/1986	Marotta	141/383
4,854,486	A	8/1989	Daley et al.	222/484
4,948,014	A	8/1990	Rutter et al.	222/83
5,165,578	A	11/1992	Laible	222/189
5,544,810	A	8/1996	Horvath, Jr. et al.	239/10
5,586,673	A	12/1996	Venooker et al.	215/310
D402,558	S *	12/1998	Klima et al.	D9/434
D402,766	S *	12/1998	Smith et al.	D9/455
5,862,948	A	1/1999	Duchon et al.	222/133
5,887,766	A	3/1999	Yang	222/466
5,988,456	A	11/1999	Laible	222/464.1
6,045,012	A	4/2000	Hansen	222/464.1
6,050,459	A	4/2000	Johnson et al.	222/382
6,142,345	A	11/2000	Laible	222/189.1
6,202,717	B1	3/2001	Markey et al.	141/383
6,427,864	B1 *	8/2002	Asselin	220/709
6,543,654	B1	4/2003	Uhl et al.	222/464.1
D480,640	S *	10/2003	Oyama et al.	D9/439
D482,059	S *	11/2003	Harris et al.	D18/43

6,669,062	B1	12/2003	Laible	222/464.1
6,733,917	B1	5/2004	Janmey	429/56
D501,138	S *	1/2005	Uchiyama	D9/439
6,945,433	B2	9/2005	Laible	222/185.1
6,968,983	B2	11/2005	Laible	222/464.1
D528,417	S *	9/2006	Matsuda et al.	D9/439

FOREIGN PATENT DOCUMENTS

WO WO 01/27020 A1 4/2001

* cited by examiner

Primary Examiner—Gary D. Watson

Assistant Examiner—Susan Bennett Hattan

(74) *Attorney, Agent, or Firm*—Gregory S. Bollis

(57) **CLAIM**

We claim the ornamental design for a bottle plug, as shown and described.

DESCRIPTION

FIG. 1 is a perspective view of a bottle plug.

FIG. 2 is a side view of the bottle plug shown in FIG. 1.

FIG. 3 is another side view of the bottle plug shown in FIG. 1.

FIG. 4 is a top view of the bottle plug shown in FIG. 1.

FIG. 5 is a perspective view of a bottle plug embodying aspects of the invention.

FIG. 6 is a side view of the bottle plug shown in FIG. 5.

FIG. 7 is another side view of the bottle plug shown in FIG. 5.

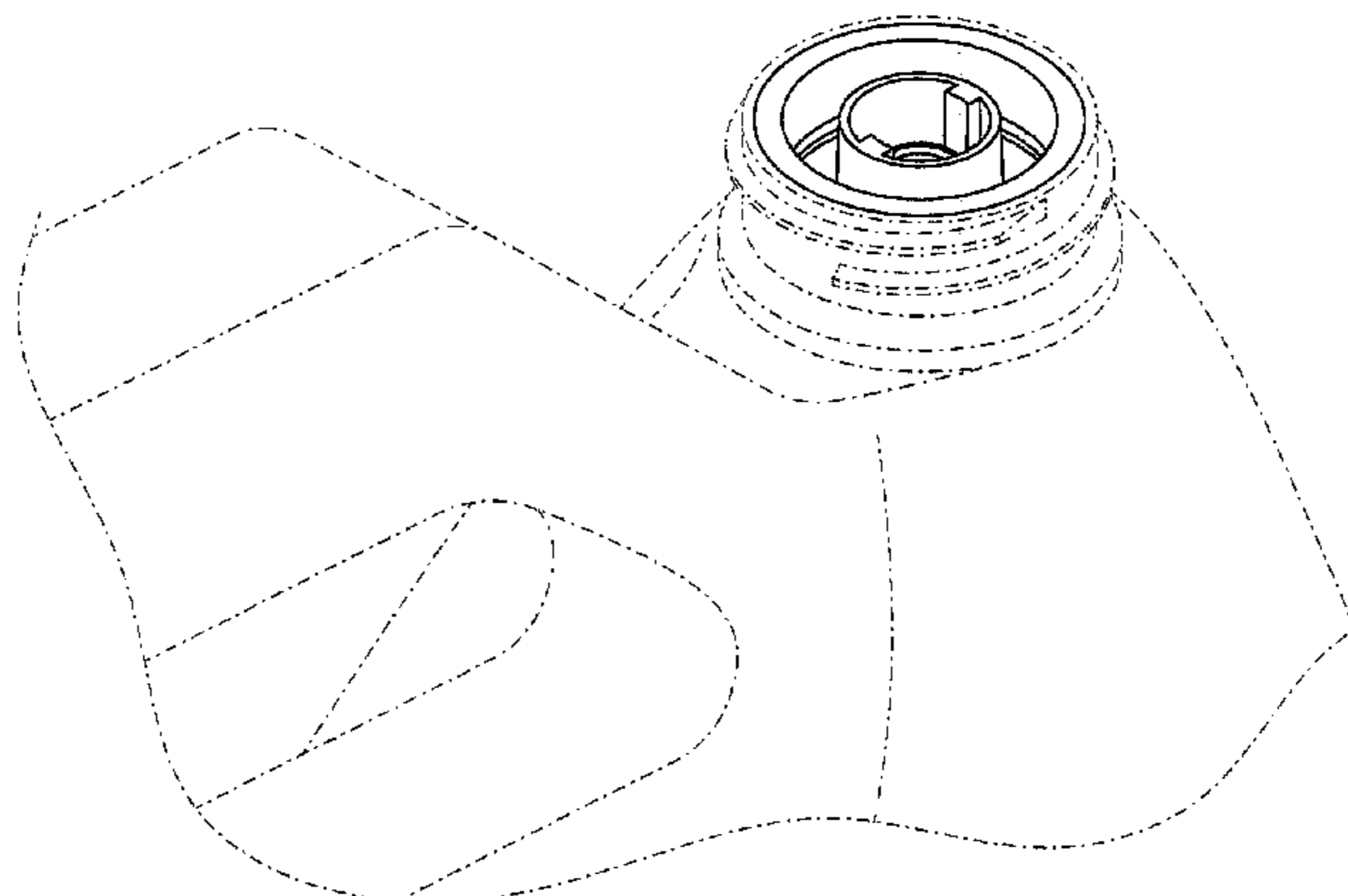
FIG. 8 is a top view of the bottle plug shown in FIG. 5; and,

FIG. 9 is a bottom view of the bottle plug shown in FIG. 5.

The broken lines in the drawings depict environmental subject matter only and form no part of the claimed design.

The present application is directed to the ornamental features of a bottle plug having a lock-out feature and adapted to dispense the contents of a bottle when a cap having a matching lock-out feature engages the bottle.

1 Claim, 9 Drawing Sheets



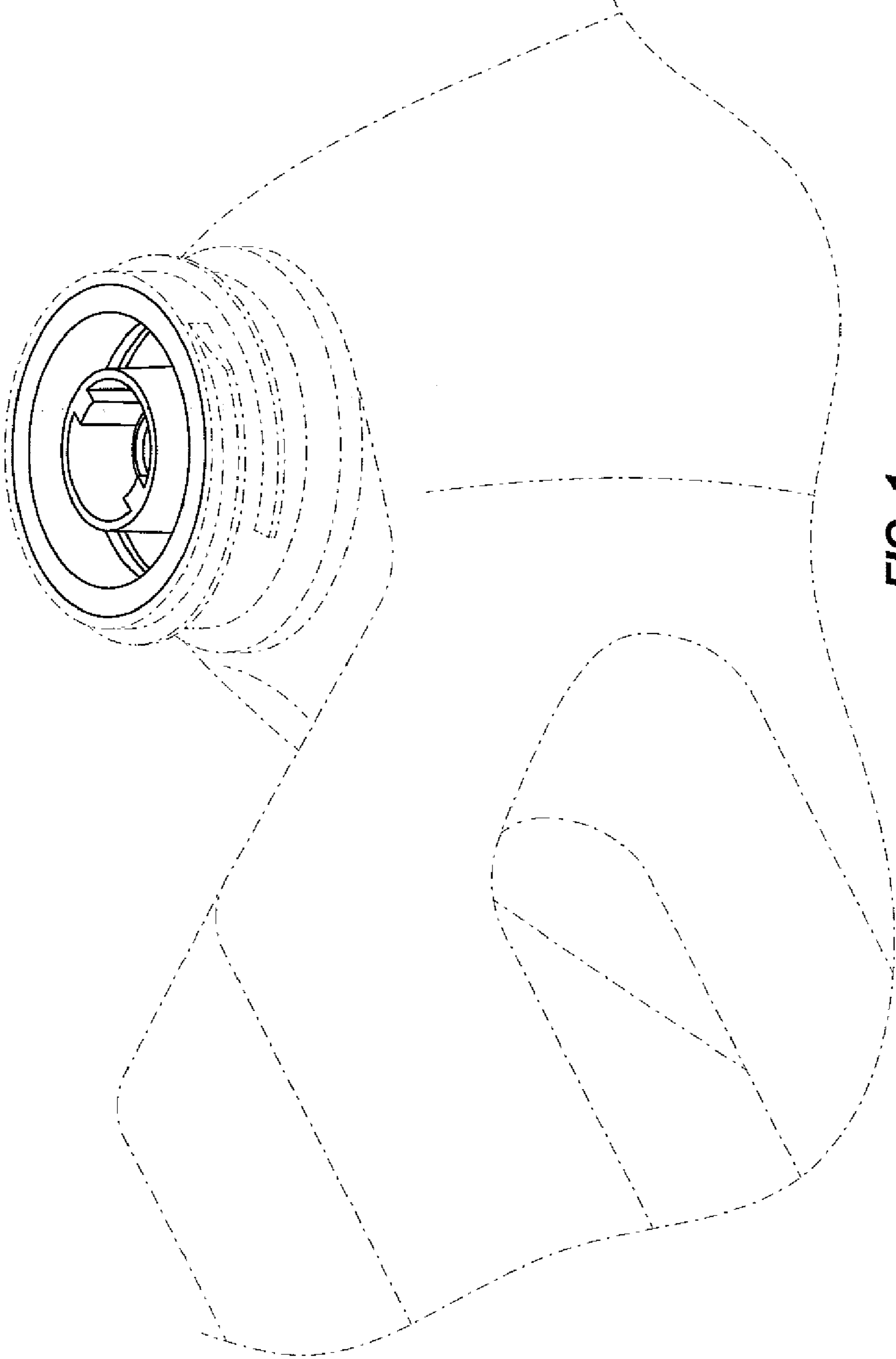


FIG. 1

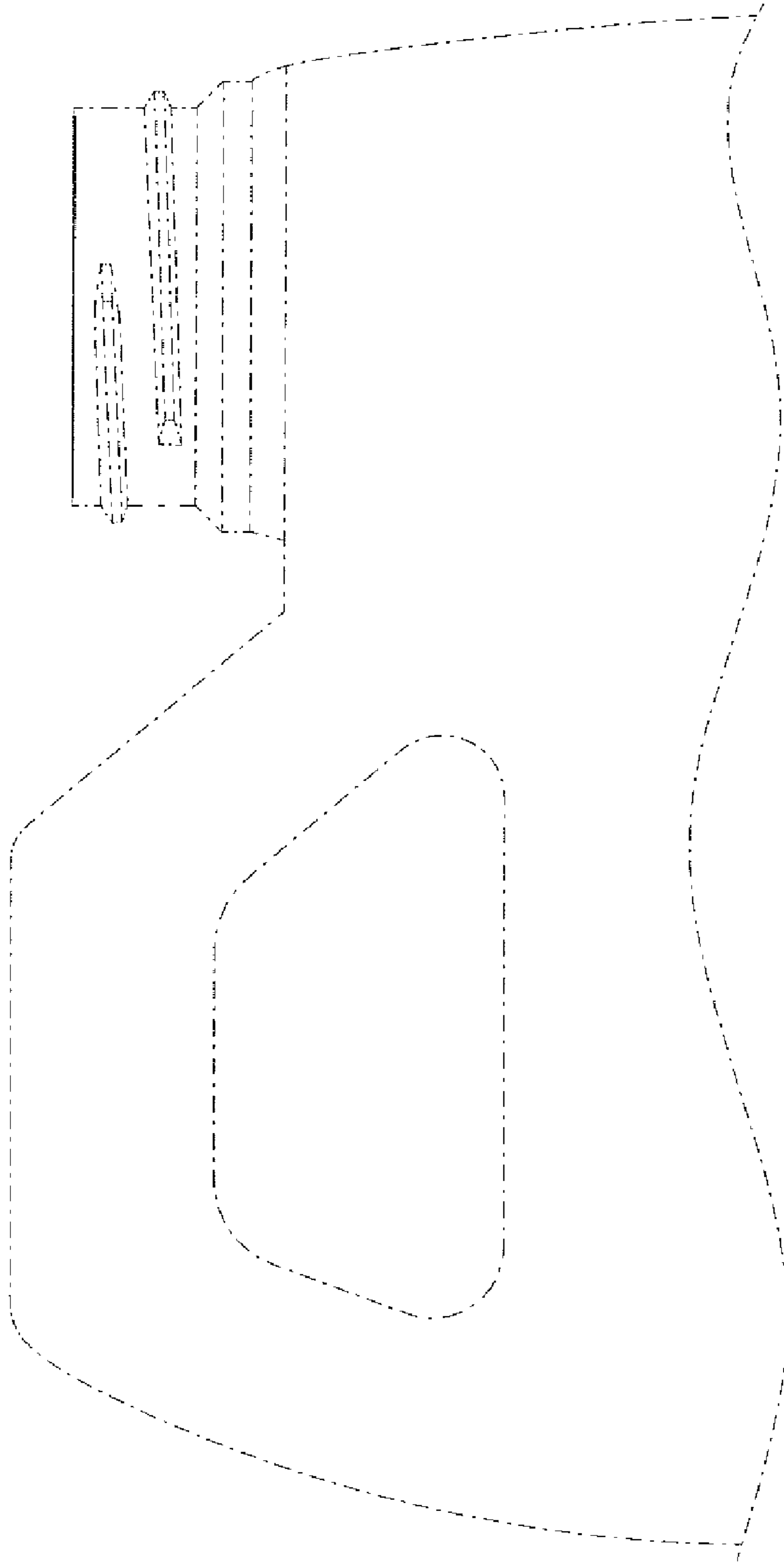


FIG. 2

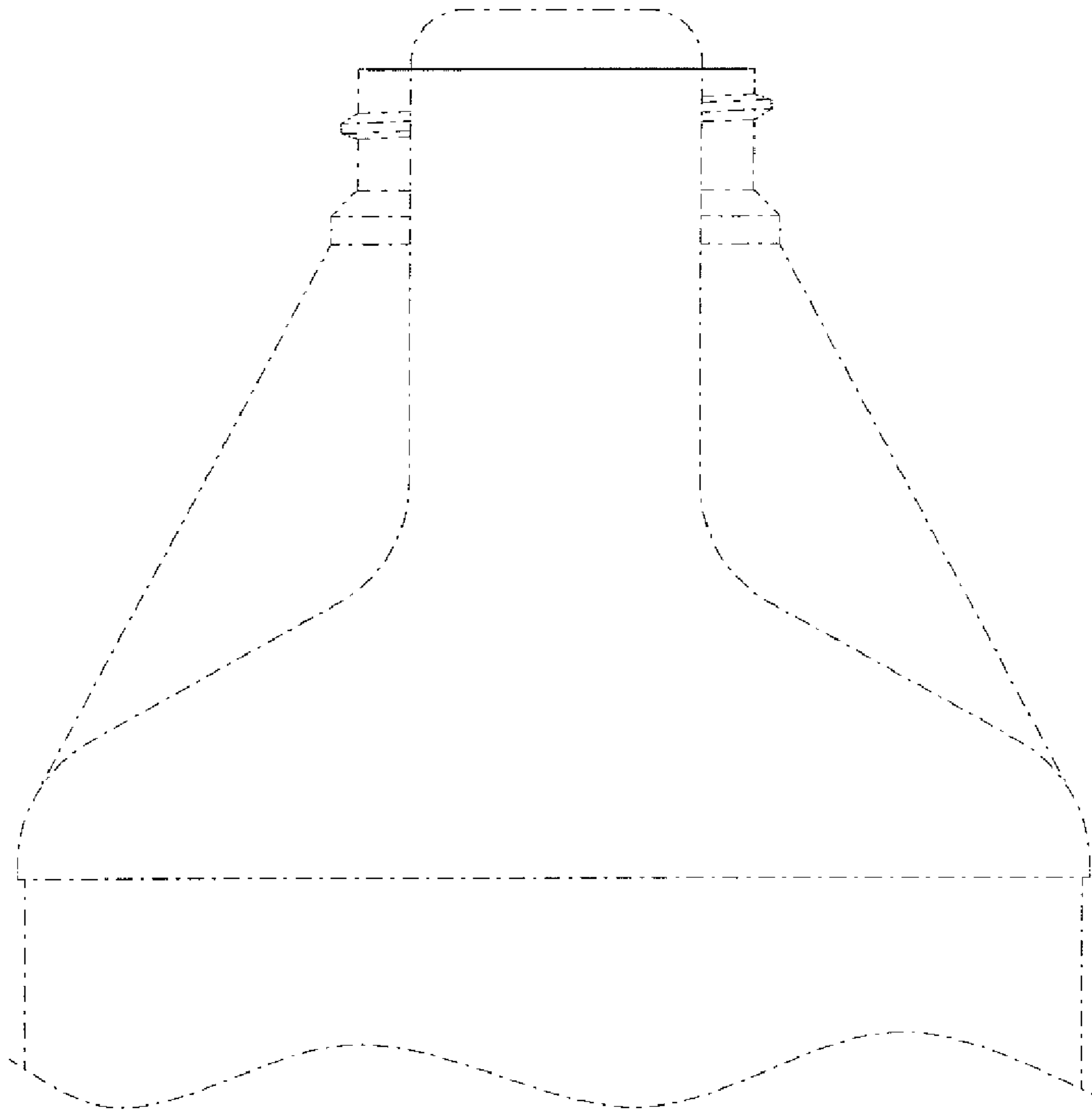


FIG. 3

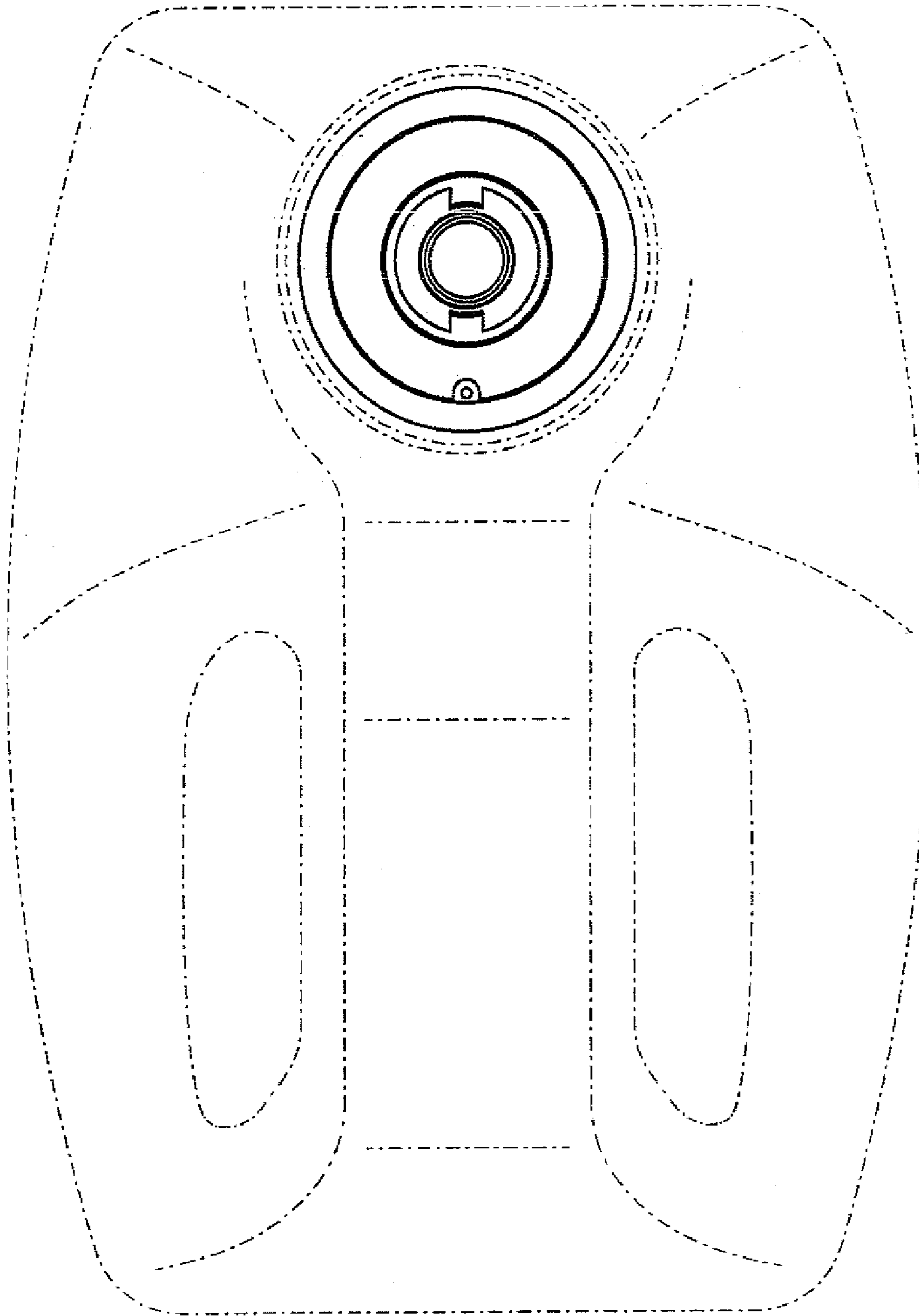


FIG. 4

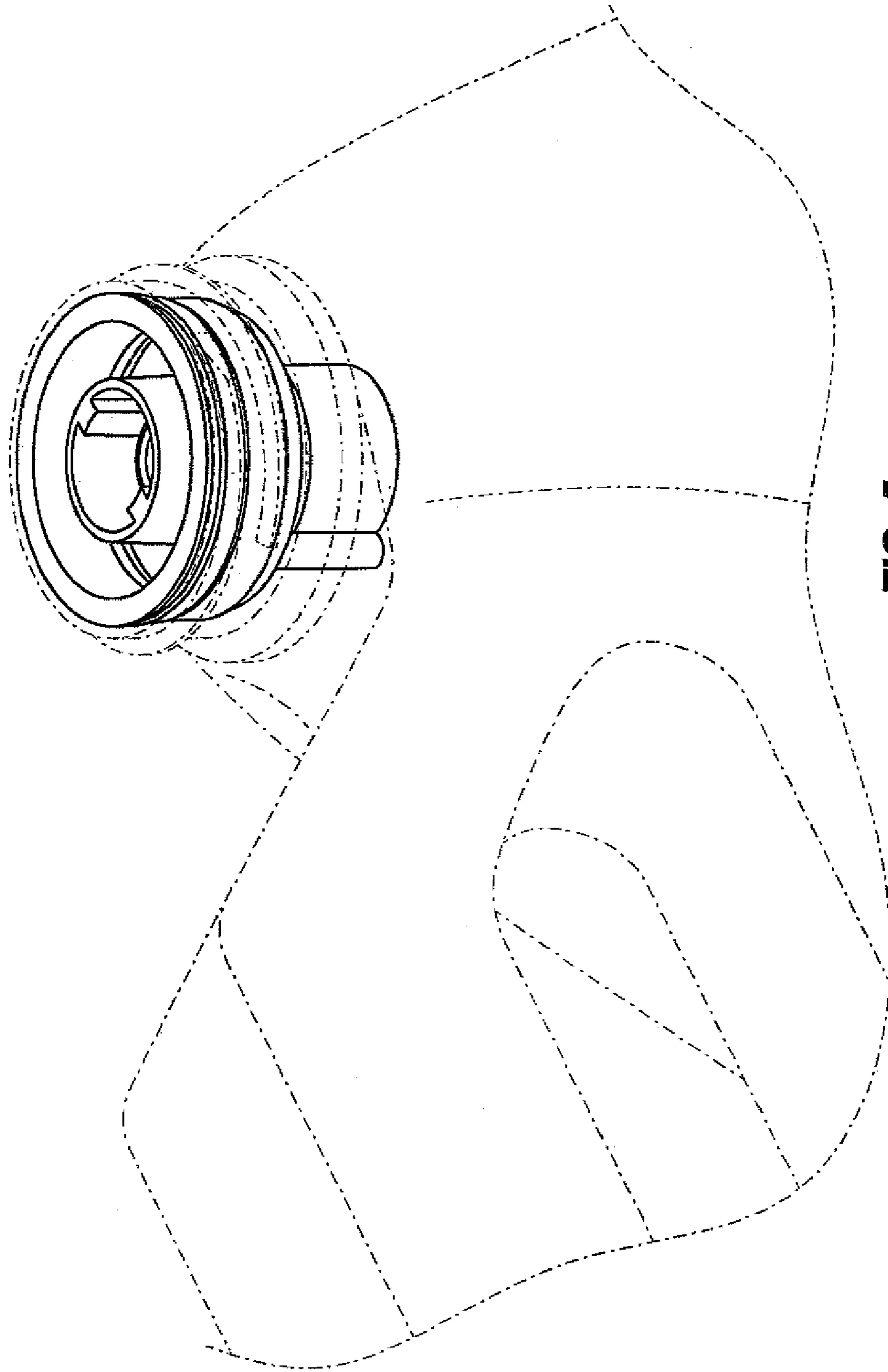


FIG. 5

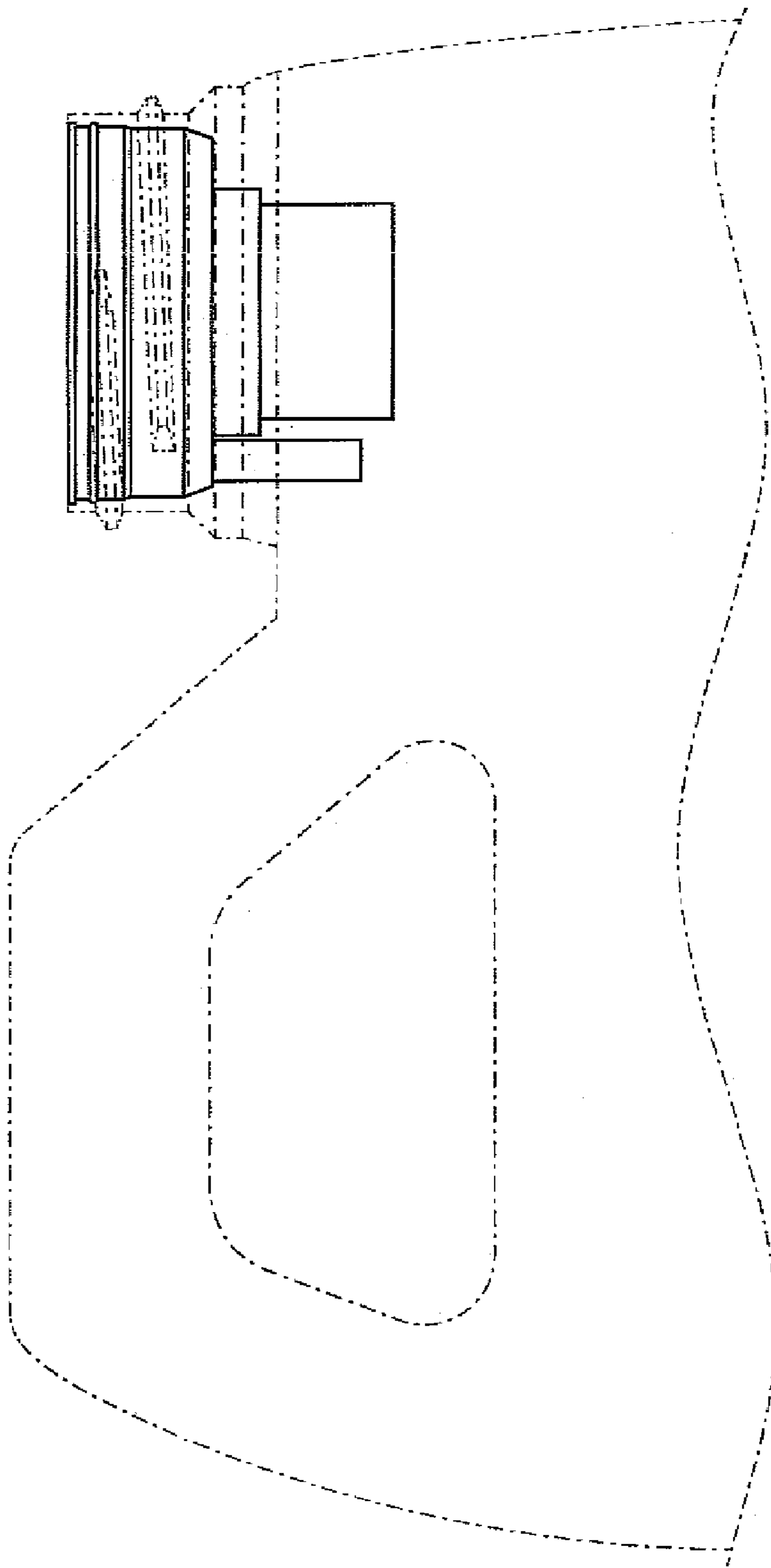


FIG. 6

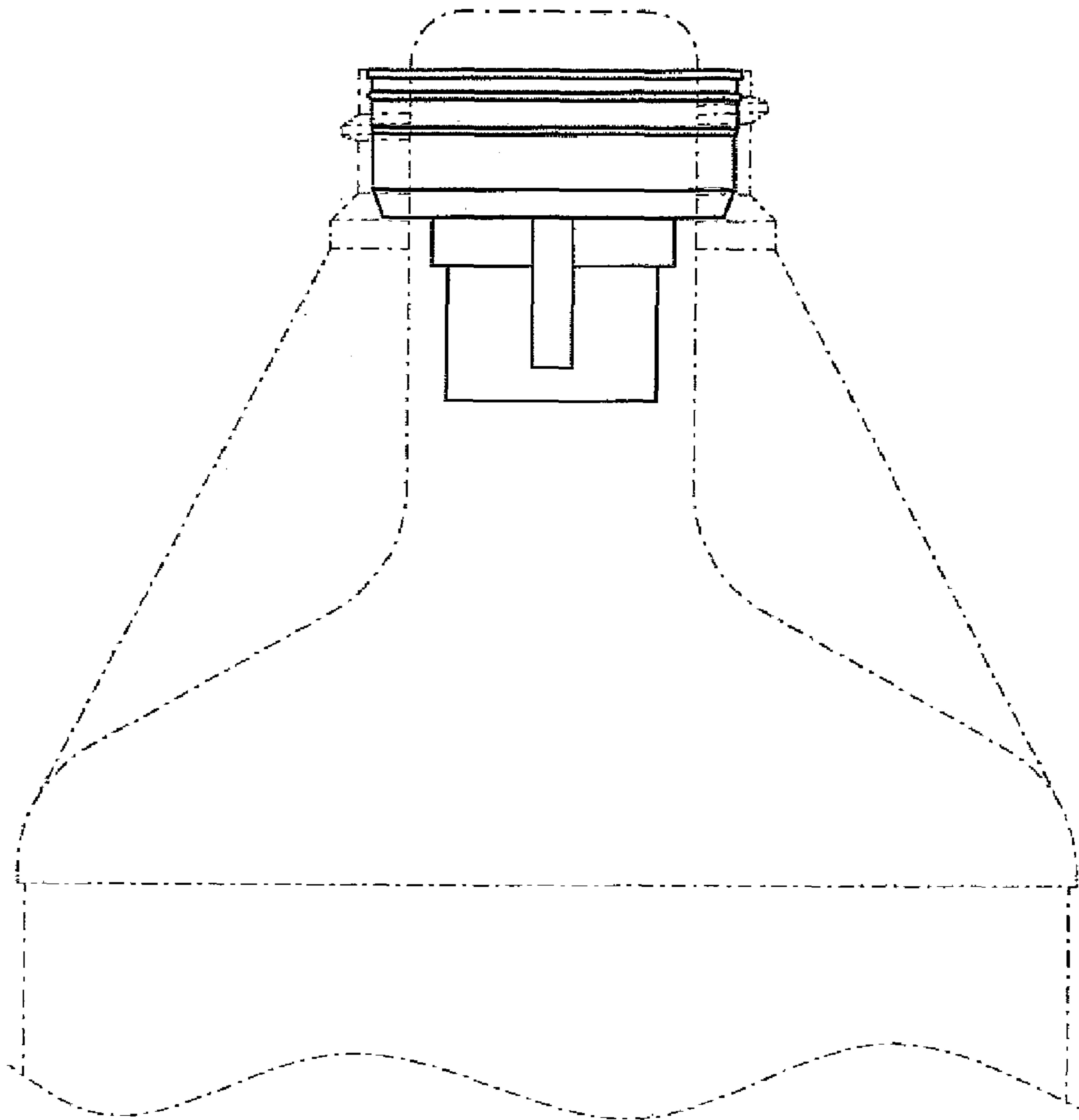


FIG. 7

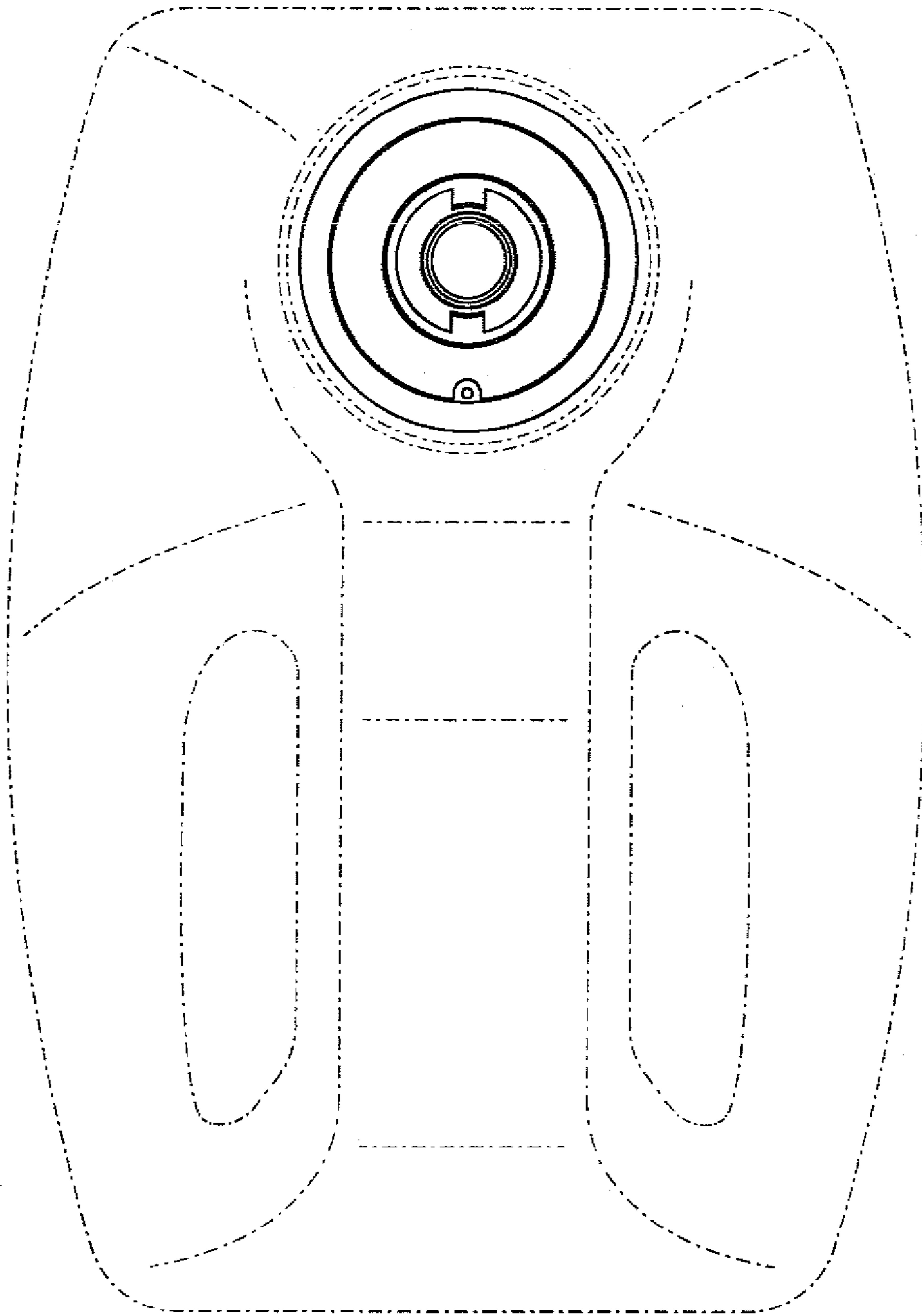


FIG. 8

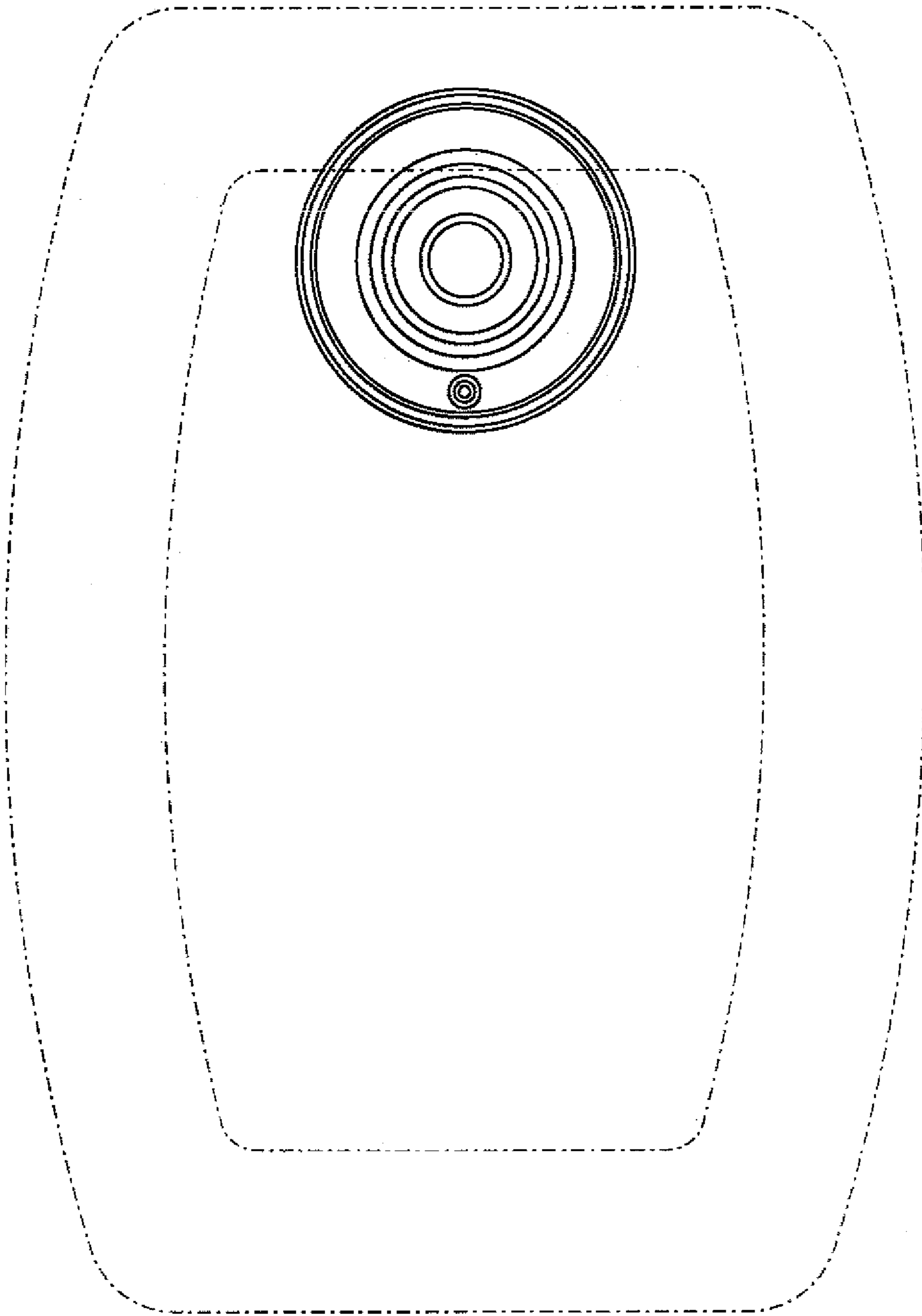


FIG. 9