

US00D567081S

(12) **United States Design Patent** (10) **Patent No.:** **US D567,081 S**
Baughman et al. (45) **Date of Patent:** **** Apr. 22, 2008**

- (54) **BAIL HANDLE FOR A CLOSING CAP**
(75) Inventors: **Gary M. Baughman**, Fremond, IN (US); **Lynn A. Brooks**, Auburn, IN (US)
(73) Assignee: **Rieke Corporation**, Auburn, IN (US)
(**) Term: **14 Years**
(21) Appl. No.: **29/288,159**
(22) Filed: **May 31, 2007**
(51) **LOC (8) Cl.** **09-07**
(52) **U.S. Cl.** **D9/434**
(58) **Field of Classification Search** D9/435, D9/436, 438, 439, 440, 447, 449, 453, 454, D9/516, 539, 763, 780; D34/39; D7/392; 137/844, 845; 215/341, 358; 220/257.1; 222/185.1, 464.1, 547, 569, 570
See application file for complete search history.

(56) **References Cited**

U.S. PATENT DOCUMENTS

2,895,654	A	7/1959	Rieke	222/529
3,248,002	A *	4/1966	Song	220/768
D211,322	S *	6/1968	Updegraff	D9/434
3,613,552	A *	10/1971	Kean	99/366
3,620,410	A *	11/1971	Griese, Jr.	220/754
3,623,633	A *	11/1971	Kinn	220/754
3,773,458	A *	11/1973	Spotts	431/156
3,784,084	A *	1/1974	Pearl	383/15
3,861,840	A *	1/1975	Heisler	425/130
3,865,339	A *	2/1975	Von Alven	248/318
4,413,743	A	11/1983	Summers	215/216
5,027,973	A *	7/1991	Drogos	220/657
5,154,114	A *	10/1992	Chang	99/340
5,215,210	A *	6/1993	Ostrum et al.	220/754
D396,380	S	7/1998	Lai et al.	D7/392
5,950,876	A	9/1999	McLelland	222/153.06
D427,021	S	6/2000	Moran	D7/608
D462,904	S *	9/2002	Mellon et al.	D9/434
D511,457	S	11/2005	Biesecker et al.	D9/443
2005/0183477	A1 *	8/2005	Straka	70/208

* cited by examiner

Primary Examiner—T. Chase Nelson
Assistant Examiner—Barbara B Lohr
(74) *Attorney, Agent, or Firm*—Woodard Emhardt Moriarty McNett & Henry LLP

(57) **CLAIM**

The ornamental design for a bail handle for a closing cap, as shown and described.

DESCRIPTION

FIG. 1 is a front elevational view of a curved lifting handle showing a bail handle for a closing cap, the rear elevational view being identical thereto;

FIG. 2 is a left side elevational view thereof, the right side elevational view being identical thereto;

FIG. 3 is a top plan view thereof;

FIG. 4 is a bottom plan view thereof; and,

FIG. 5 is a perspective view thereof.

In FIG. 1, the broken lines consisting of two short dashes followed by a long dash show surface shading indicating an edge with a slight radius. The broken lines under the elevational view of the claimed design depict environmental subject matter and form no part of the claimed design.

In FIG. 2, the broken lines under the elevational view of the claimed design show the rounded perimeter of the skirt and the lip of the cap. The broken lines depict environmental subject matter and form no part of the claimed design.

In FIG. 3, the broken lines on the interior of the claimed design show the possibility of flashing as part of the molding process and the broken lines on the exterior of the claimed design show the possibility of a lip that would be underneath the handles on the cap. The broken lines depict environmental subject matter only and form no part of the claimed design.

In FIG. 4, the nine concentric circles drawn in broken lines in the center of the inside of the handles and cap depict environmental subject matter only and form no part of the claimed design.

The remaining broken lines show surface shading.

1 Claim, 2 Drawing Sheets

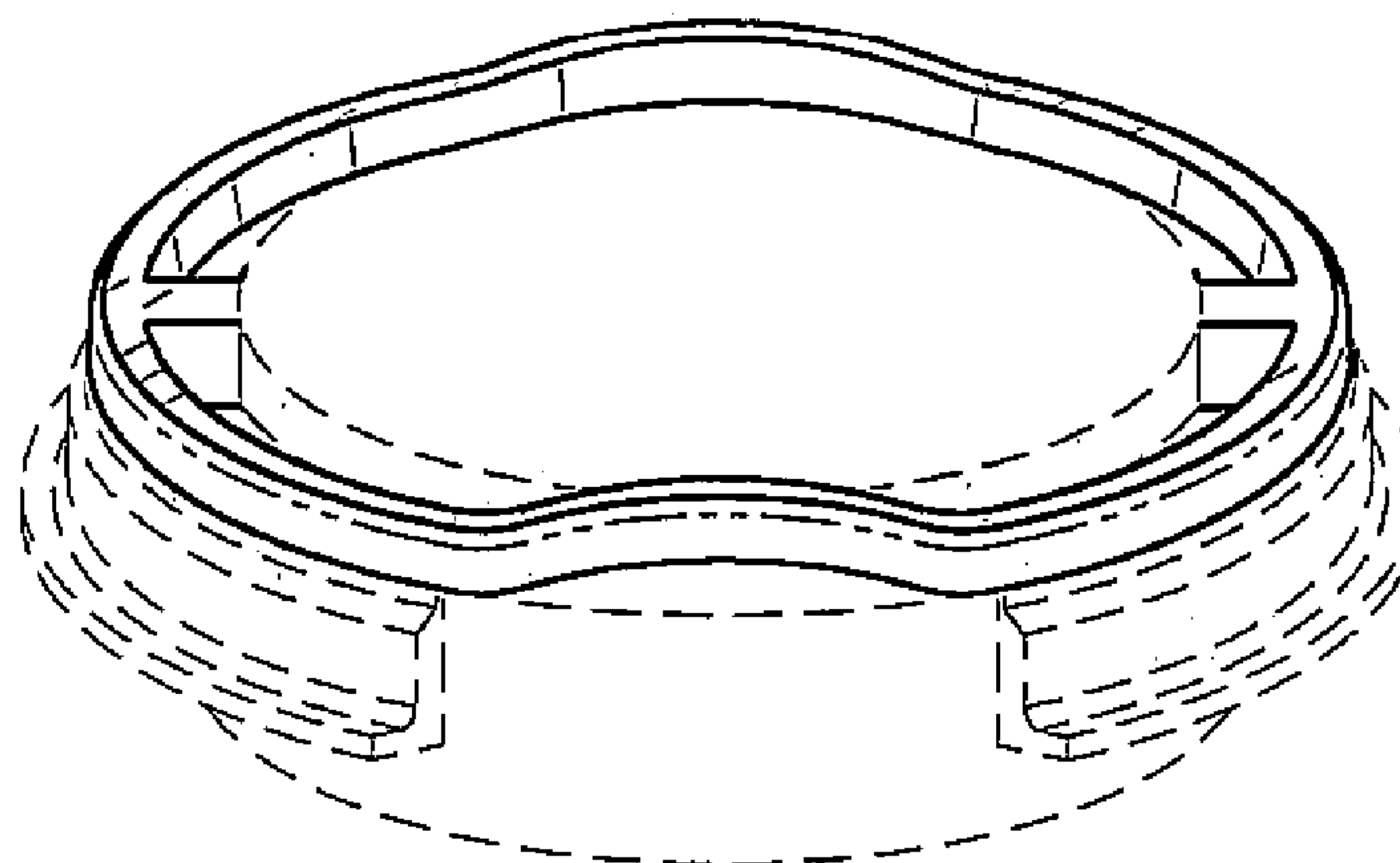




Fig. 1

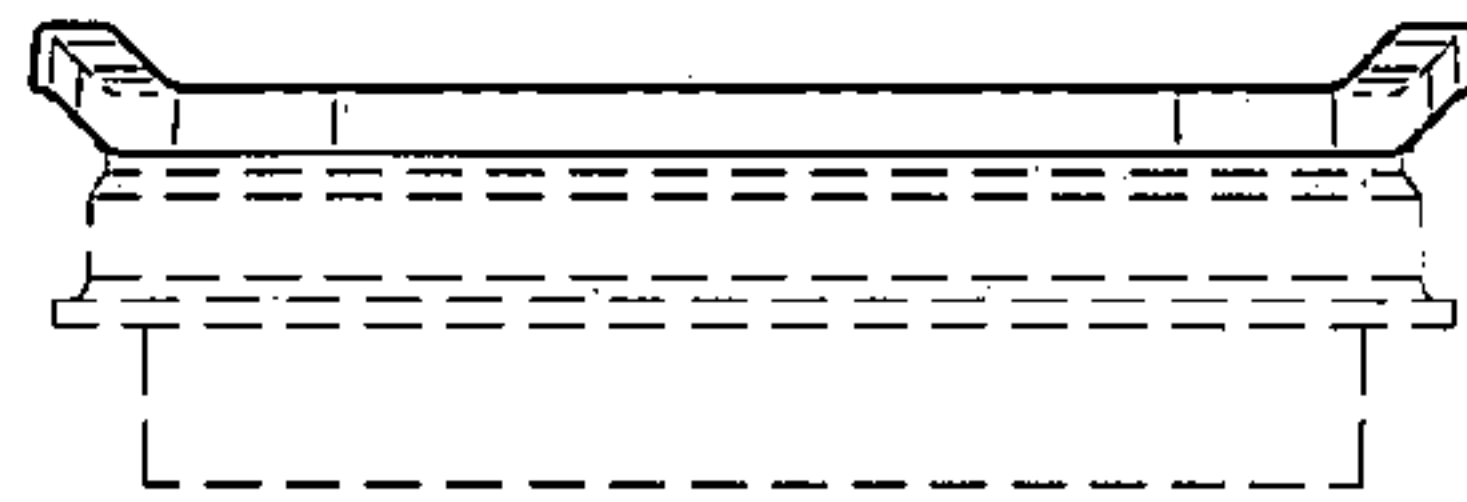


Fig. 2

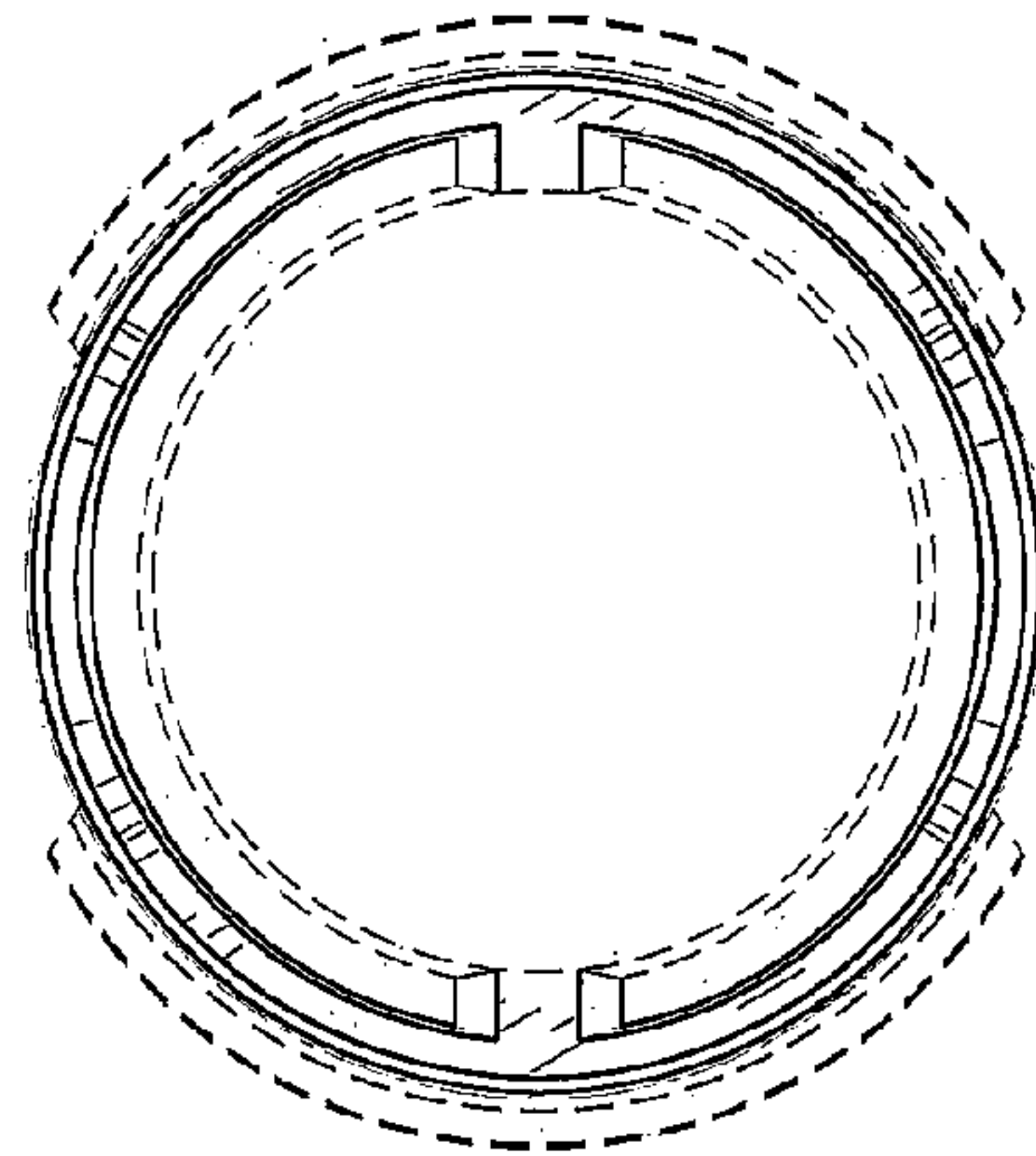


Fig. 3

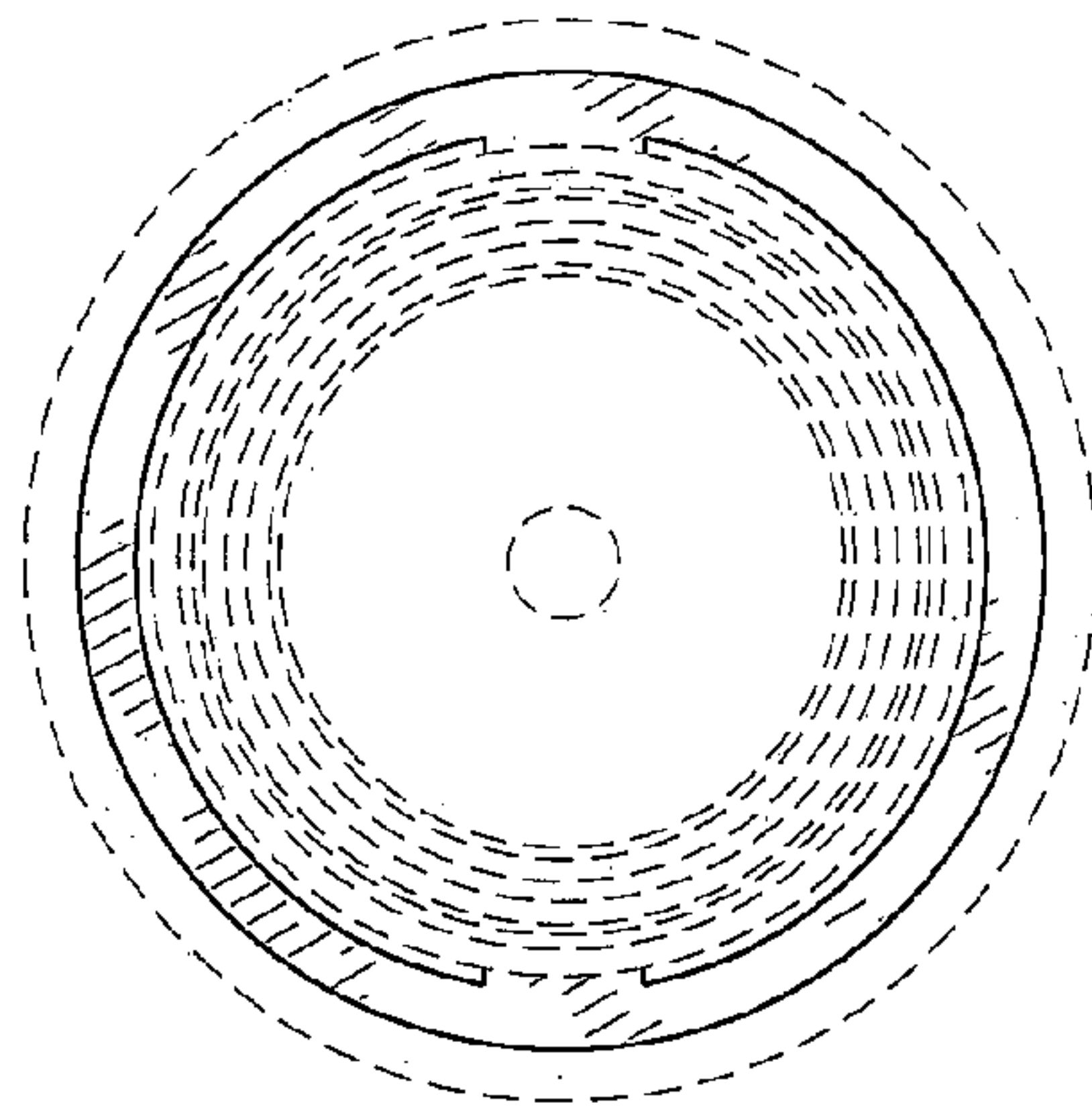


Fig. 4

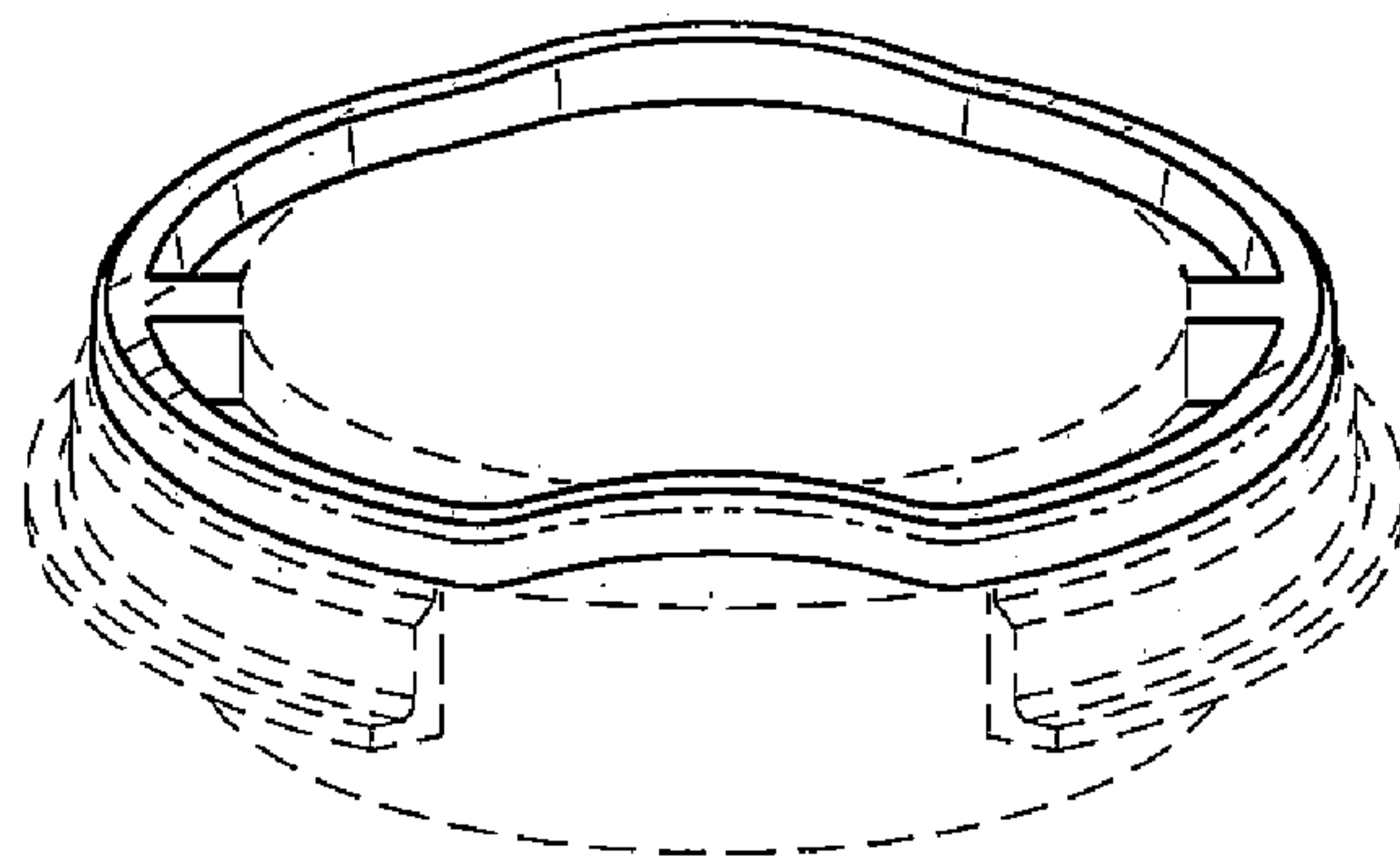


Fig. 5