



US00D567073S

(12) **United States Design Patent**
Soracco

(10) **Patent No.:** **US D567,073 S**

(45) **Date of Patent:** **** Apr. 22, 2008**

(54) **SCREW**

6,073,552 A * 6/2000 Cruse et al. 101/32
6,802,680 B1 * 10/2004 Rubenstein 411/7

(75) Inventor: **Peter L. Soracco**, Carlsbad, CA (US)

* cited by examiner

(73) Assignee: **Acushnet Company**, Fairhaven, MA (US)

Primary Examiner—Holly H. Baynham

Assistant Examiner—Sheryl Friedman

(74) *Attorney, Agent, or Firm*—Kristin D. Wheeler

(**) Term: **14 Years**

(21) Appl. No.: **29/250,860**

(57) **CLAIM**

(22) Filed: **Dec. 4, 2006**

I claim the ornamental design for a screw, as shown and described.

(51) **LOC (8) Cl.** **08-08**

(52) **U.S. Cl.** **D8/387**

(58) **Field of Classification Search** D8/387,
D8/388, 391; 411/403, 378, 393, 402, 387.1,
411/366.1

See application file for complete search history.

DESCRIPTION

FIG. 1 is a top side perspective view of our new screw design;

FIG. 2 is a top view thereof;

FIG. 3 is a side view thereof; and,

FIG. 4 is a side view thereof.

The portion of the screw shown in phantom does not form any portion of the present invention.

(56) **References Cited**

U.S. PATENT DOCUMENTS

D243,582 S * 3/1977 Shirey D23/316
5,207,132 A * 5/1993 Goss et al. 81/460

1 Claim, 1 Drawing Sheet

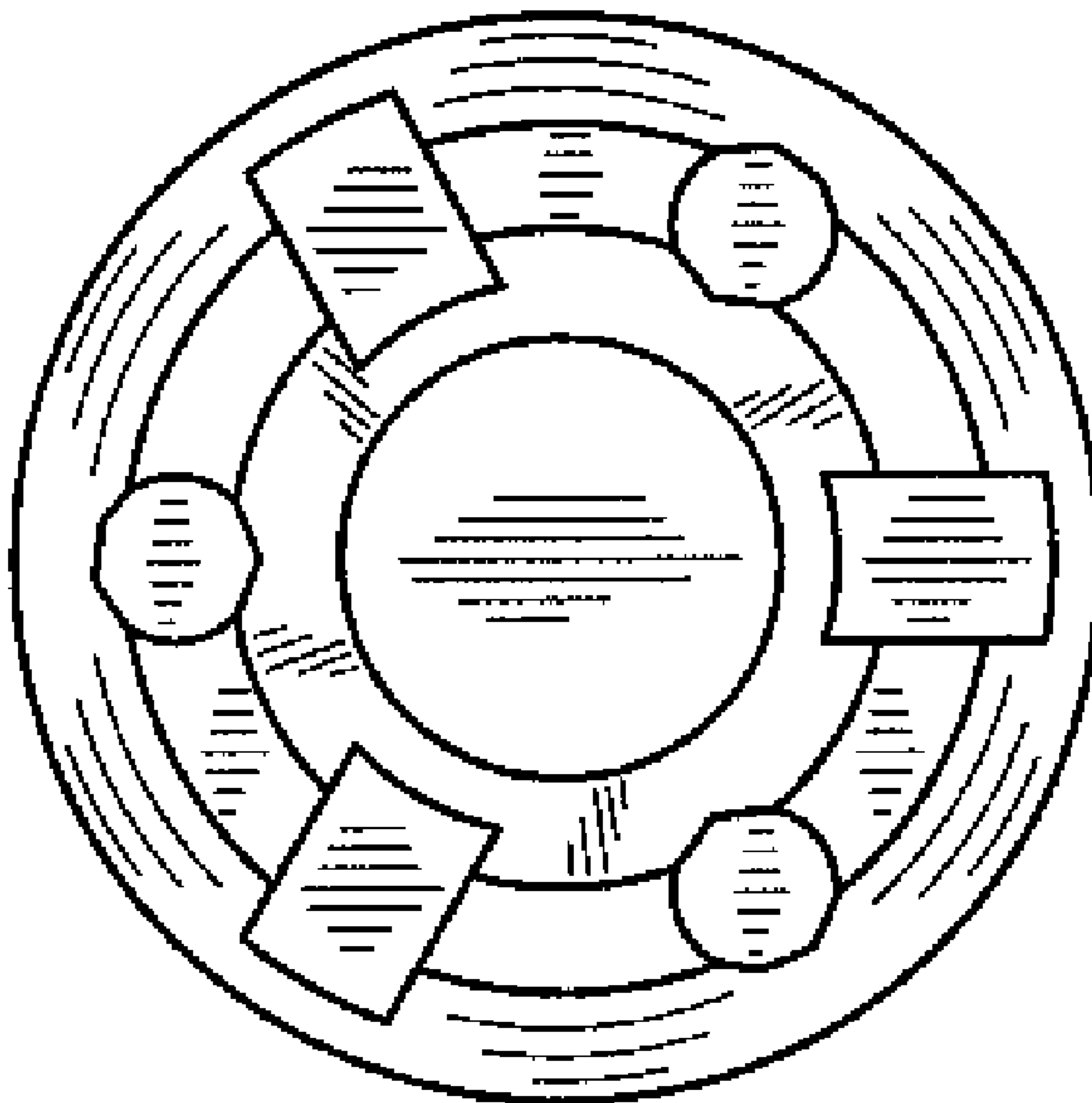


FIG. 1

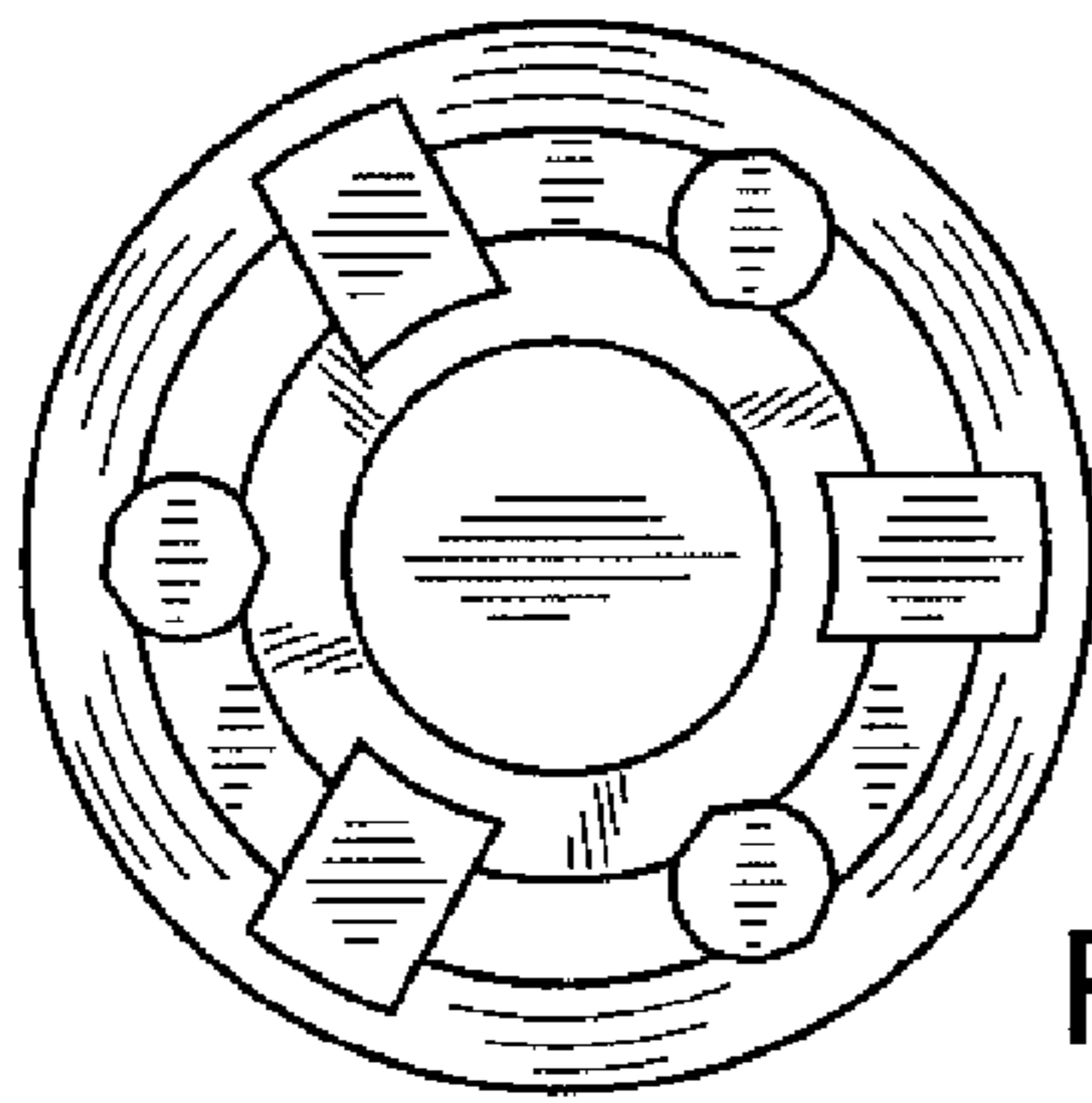
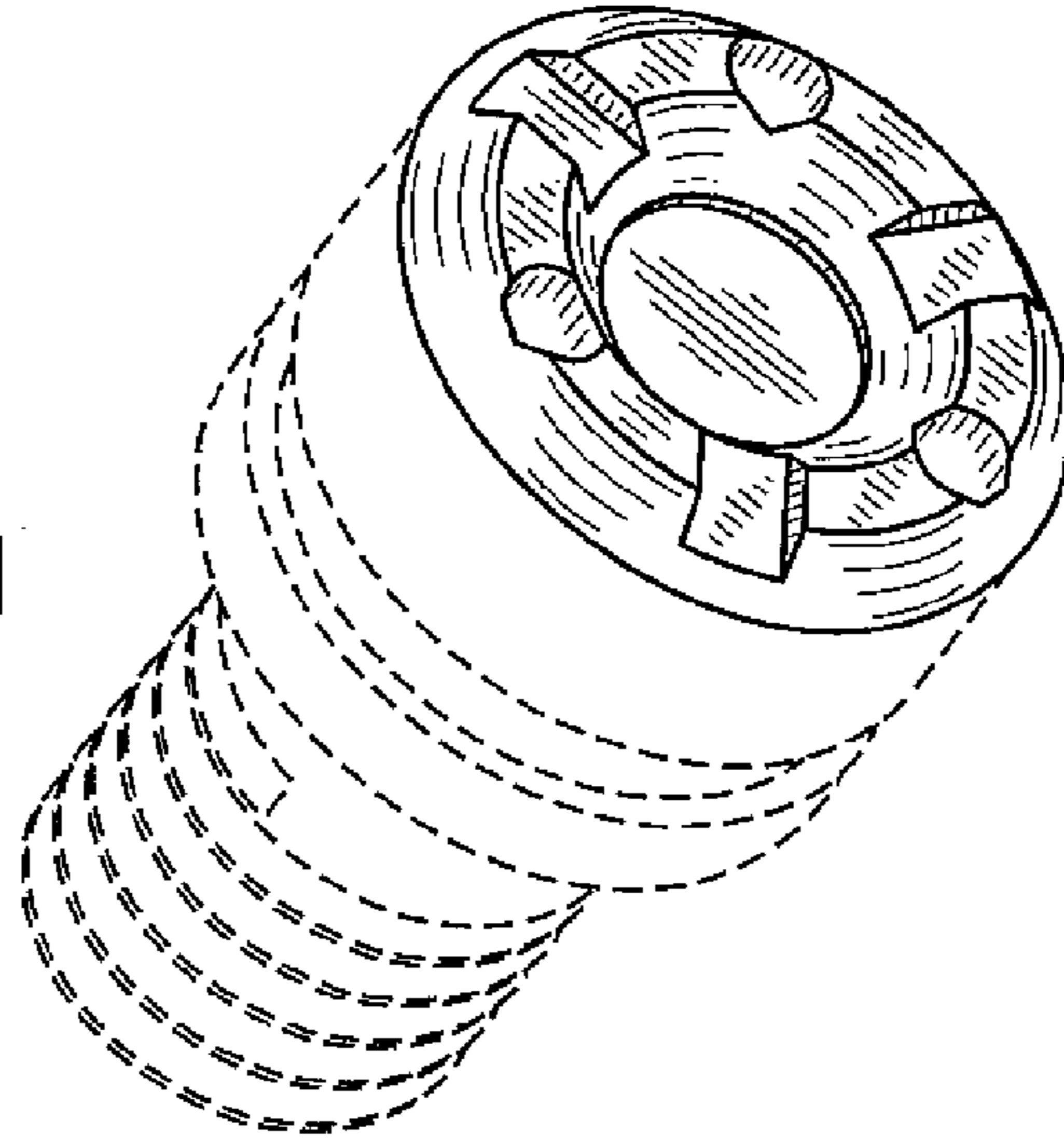


FIG. 2

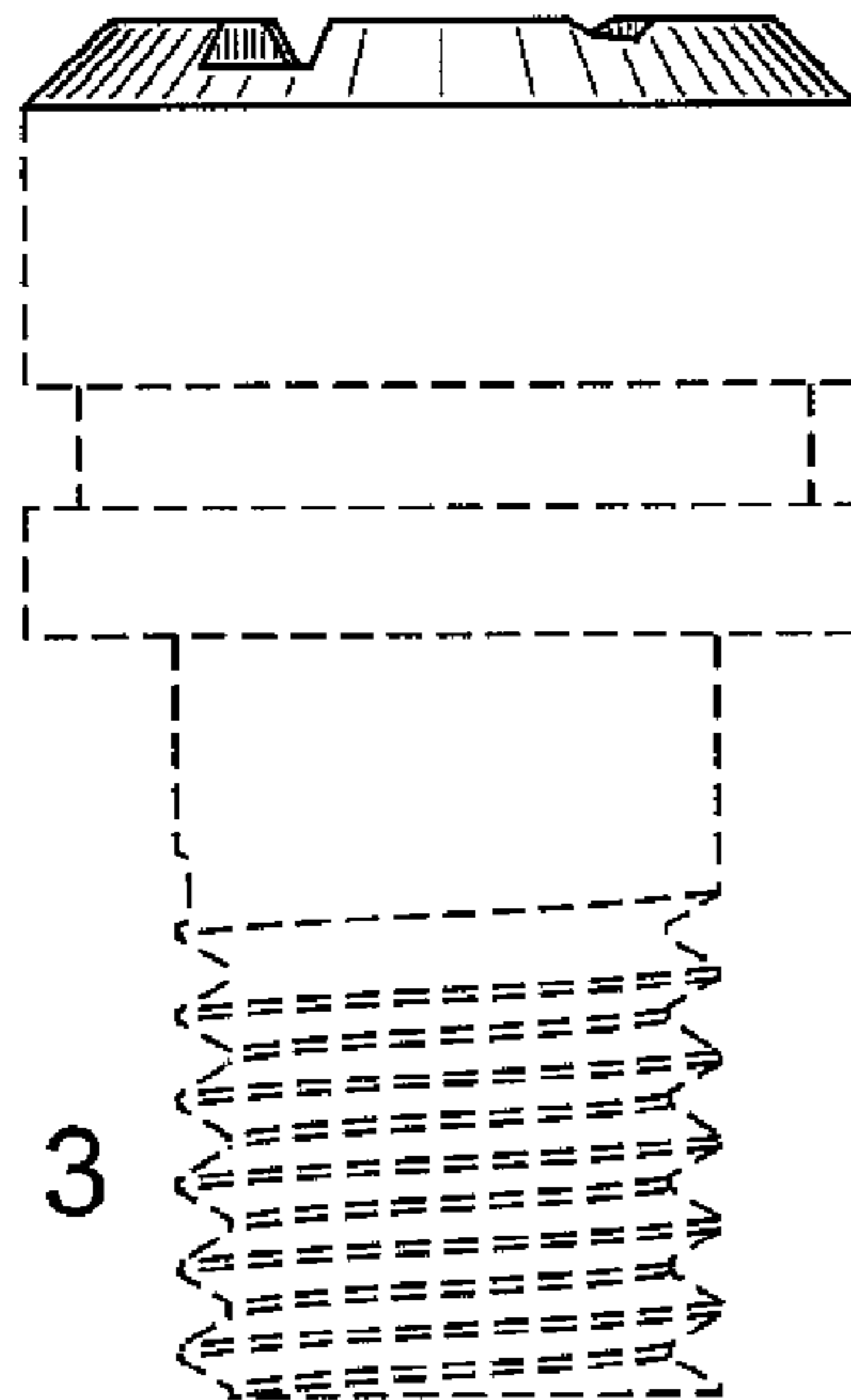


FIG. 3

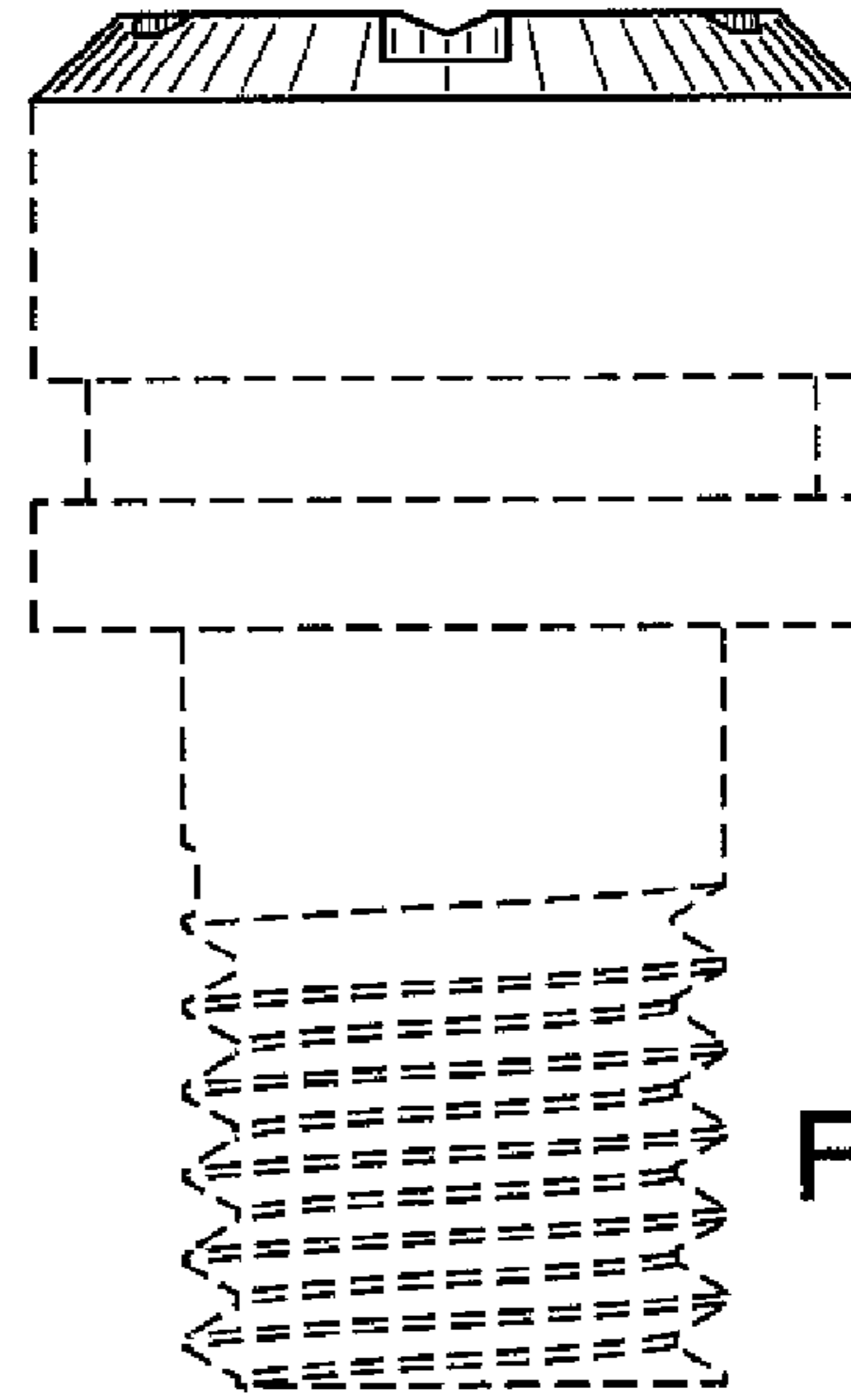


FIG. 4