



US00D567072S

(12) **United States Design Patent**  
**Ingimundarson et al.**

(10) **Patent No.:** **US D567,072 S**

(45) **Date of Patent:** **\*\* Apr. 22, 2008**

(54) **STRAP RETAINER**

2006/0167394 A1 7/2006 Ceriani et al.  
2007/0289106 A1\* 12/2007 Gyure ..... 24/200

(75) Inventors: **Arni Thor Ingimundarson**, Ladera Ranch, CA (US); **Palmi Einarsson**, San Juan Capistrano, CA (US)

\* cited by examiner

(73) Assignee: **Ossur hf**, Reykjavik (IS)

*Primary Examiner*—Holly H. Baynham  
*Assistant Examiner*—Sheryl Friedman  
(74) *Attorney, Agent, or Firm*—Bacon & Thomas, PLLC

(\*\*) Term: **14 Years**

(57) **CLAIM**

(21) Appl. No.: **29/272,564**

The ornamental design for a strap retainer, as shown and described.

(22) Filed: **Feb. 12, 2007**

(51) **LOC (8) Cl.** ..... **08-08**

(52) **U.S. Cl.** ..... **D8/383**

(58) **Field of Classification Search** ..... D8/383,  
D8/382; D11/221; 24/68 R, 200, 300  
See application file for complete search history.

**DESCRIPTION**

(56) **References Cited**

U.S. PATENT DOCUMENTS

D253,320 S *	11/1979	Adams	.....	D11/218
4,411,049 A *	10/1983	Cristea	.....	24/20 EE
4,799,298 A *	1/1989	Matoba	.....	24/695
D318,736 S	7/1991	Castillo		
5,230,697 A	7/1993	Castillo et al.		
5,288,287 A	2/1994	Castillo et al.		
D346,028 S	4/1994	Lengyel		
5,782,780 A	7/1998	Mason et al.		
D433,756 S	11/2000	Castillo		
D436,057 S *	1/2001	Hotta	.....	D11/218
D449,251 S *	10/2001	Chung	.....	D11/221
6,878,126 B2	4/2005	Nelson et al.		

FIG. 1 is a first perspective view of a strap retainer, showing our design;

FIG. 2 is a top plan view of the strap retainer of FIG. 1;

FIG. 3 is a rear elevational view of the strap retainer of FIG. 1;

FIG. 4 is a front elevational view of the strap retainer of FIG. 1;

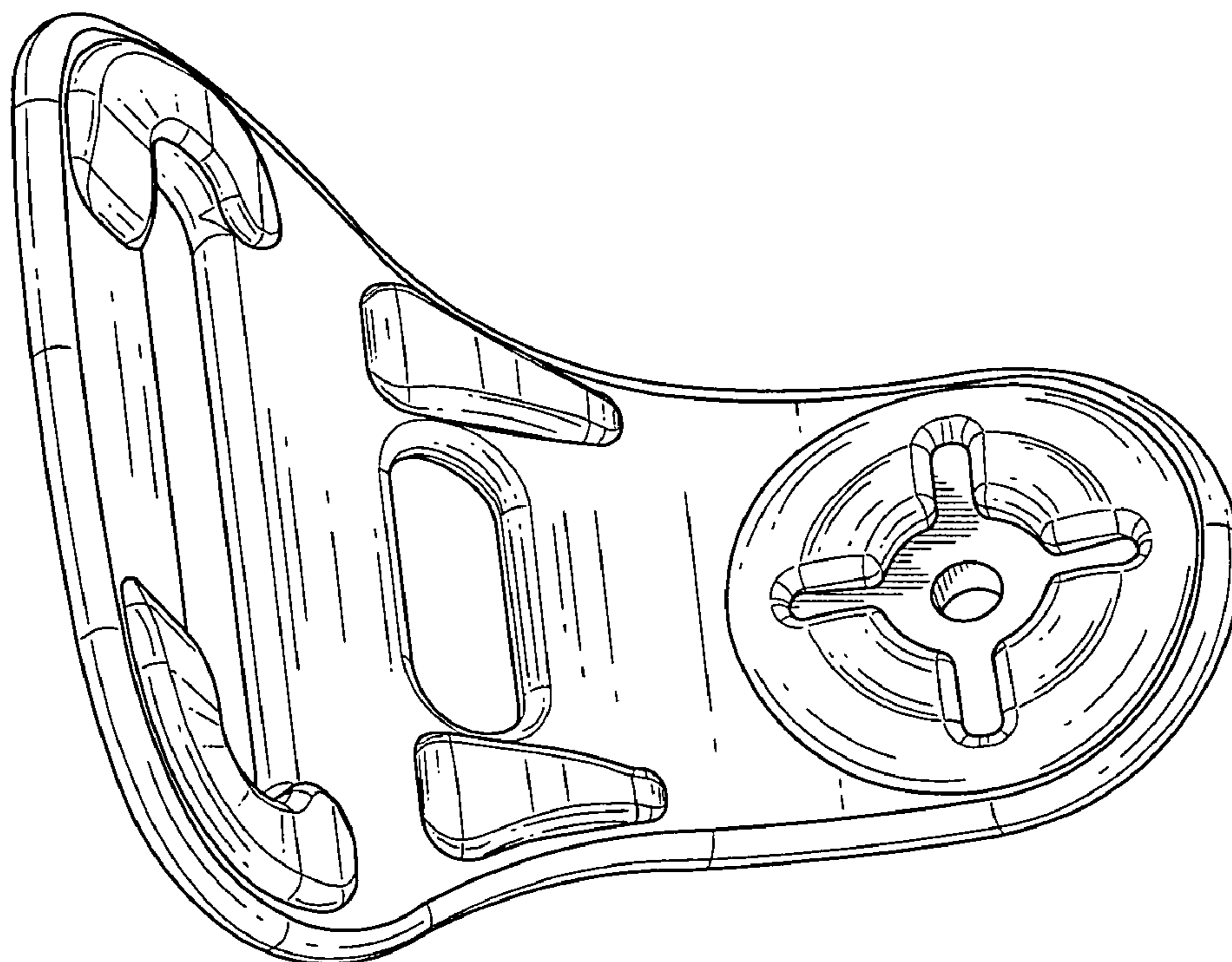
FIG. 5 is a bottom plan view of the strap retainer of FIG. 1;

FIG. 6 is a first side elevational view of the strap retainer of FIG. 1;

FIG. 7 is a second side elevational view of the strap retainer of FIG. 1; and,

FIG. 8 is a second perspective view of the strap retainer of FIG. 1.

**1 Claim, 3 Drawing Sheets**



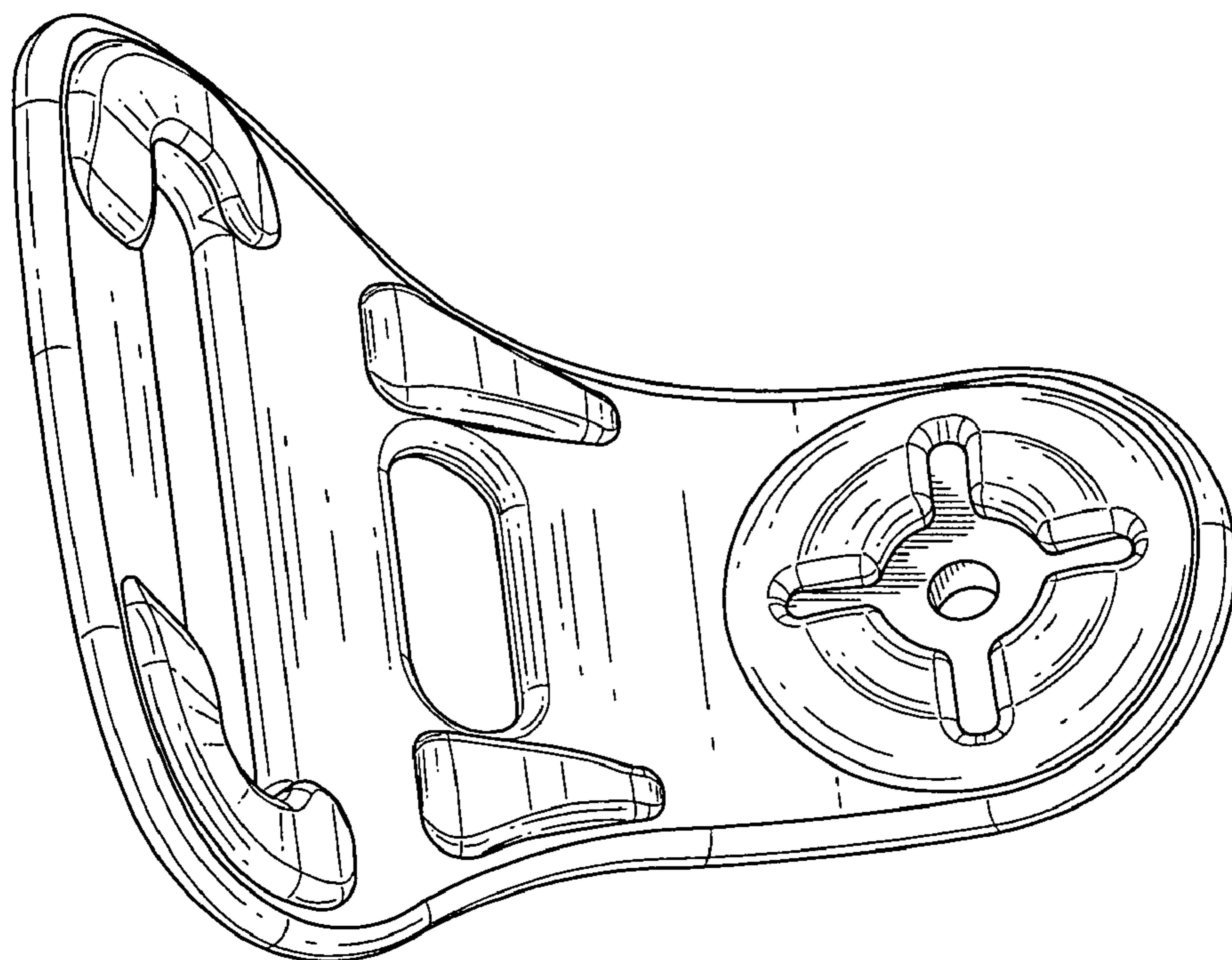


FIG. 1

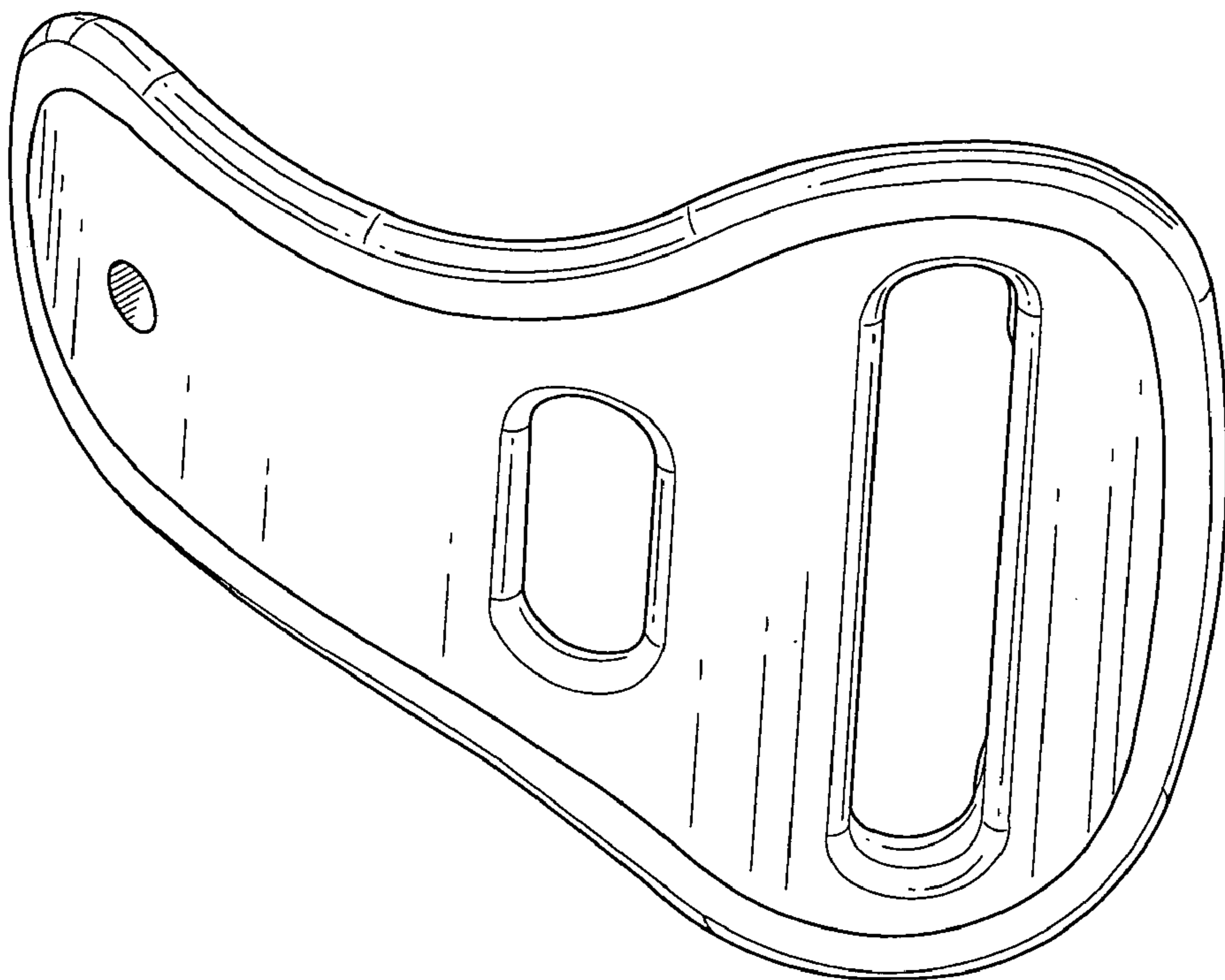


FIG. 8

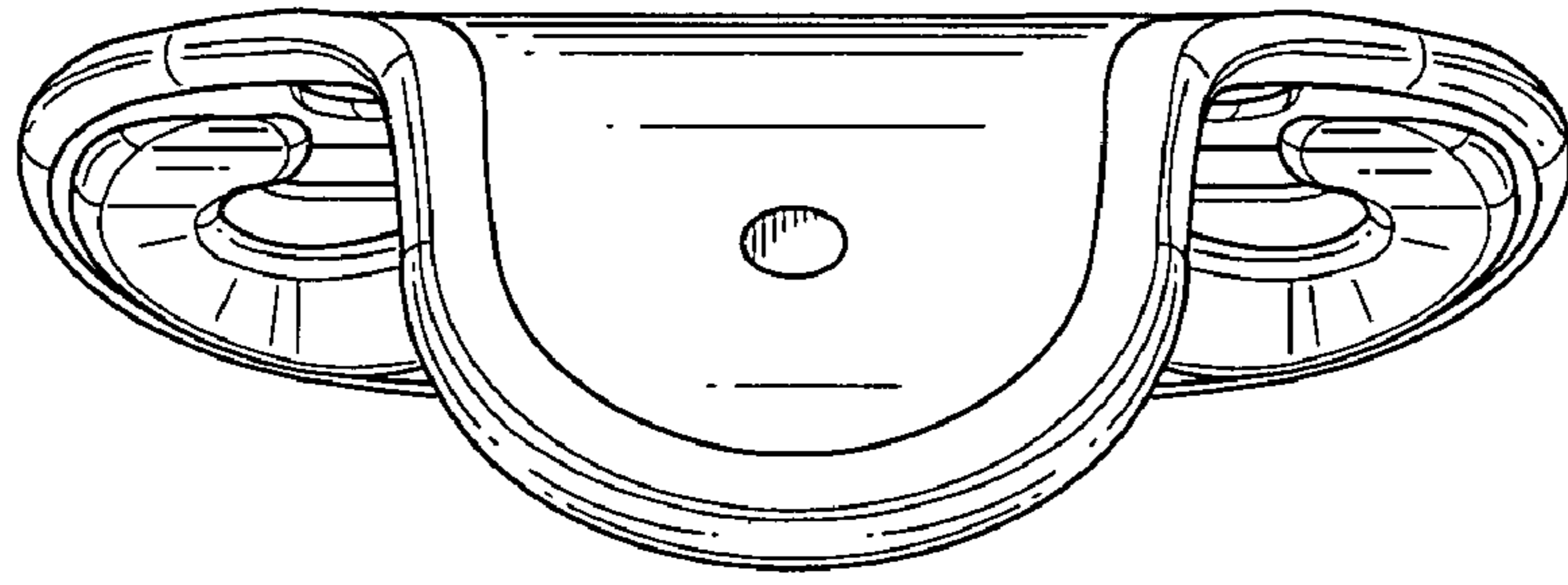


FIG. 4

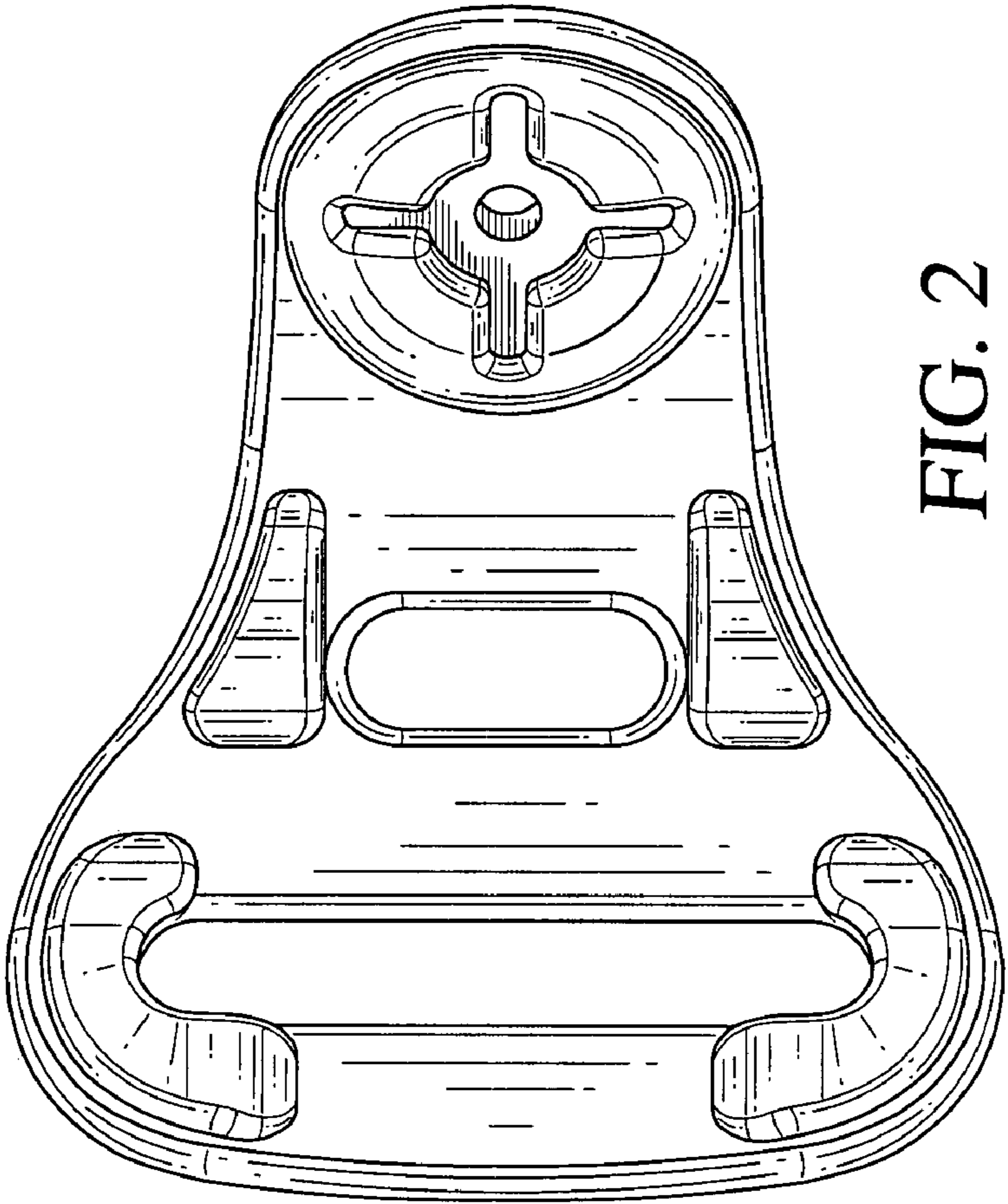


FIG. 2

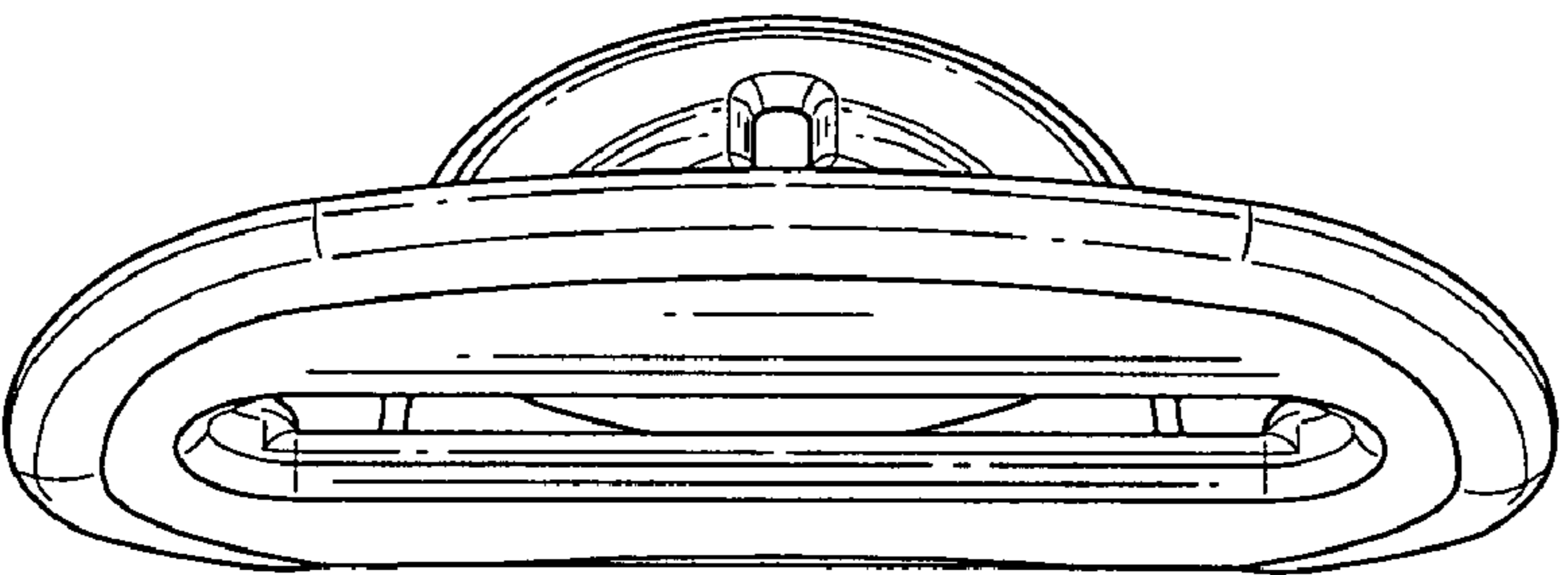


FIG. 3



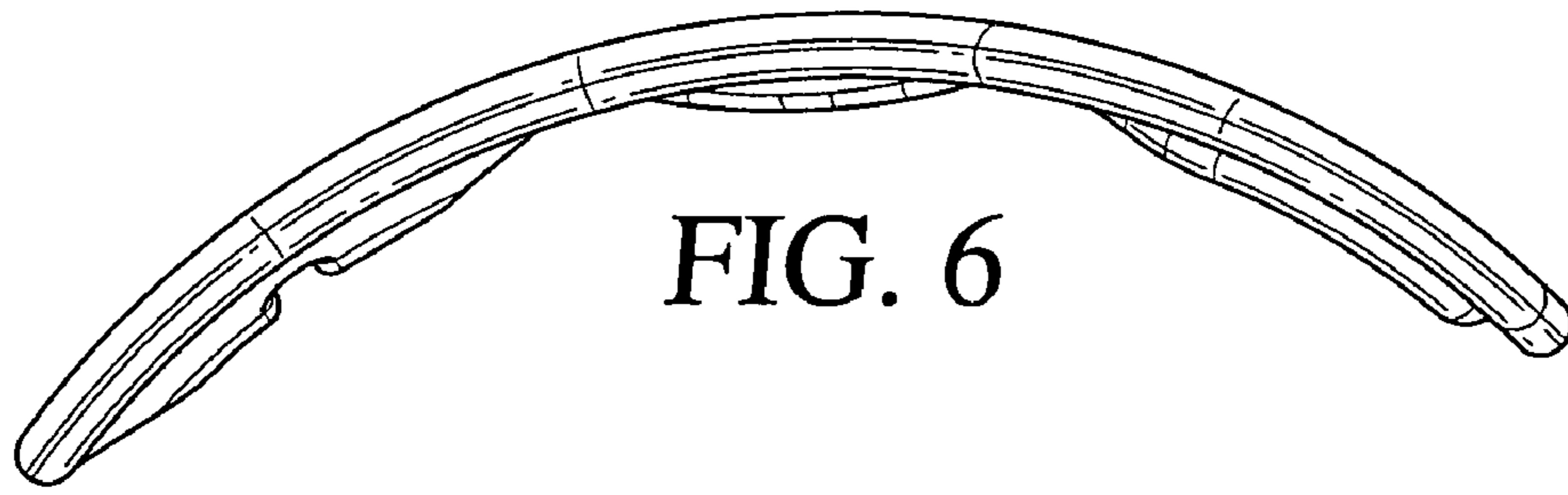


FIG. 6

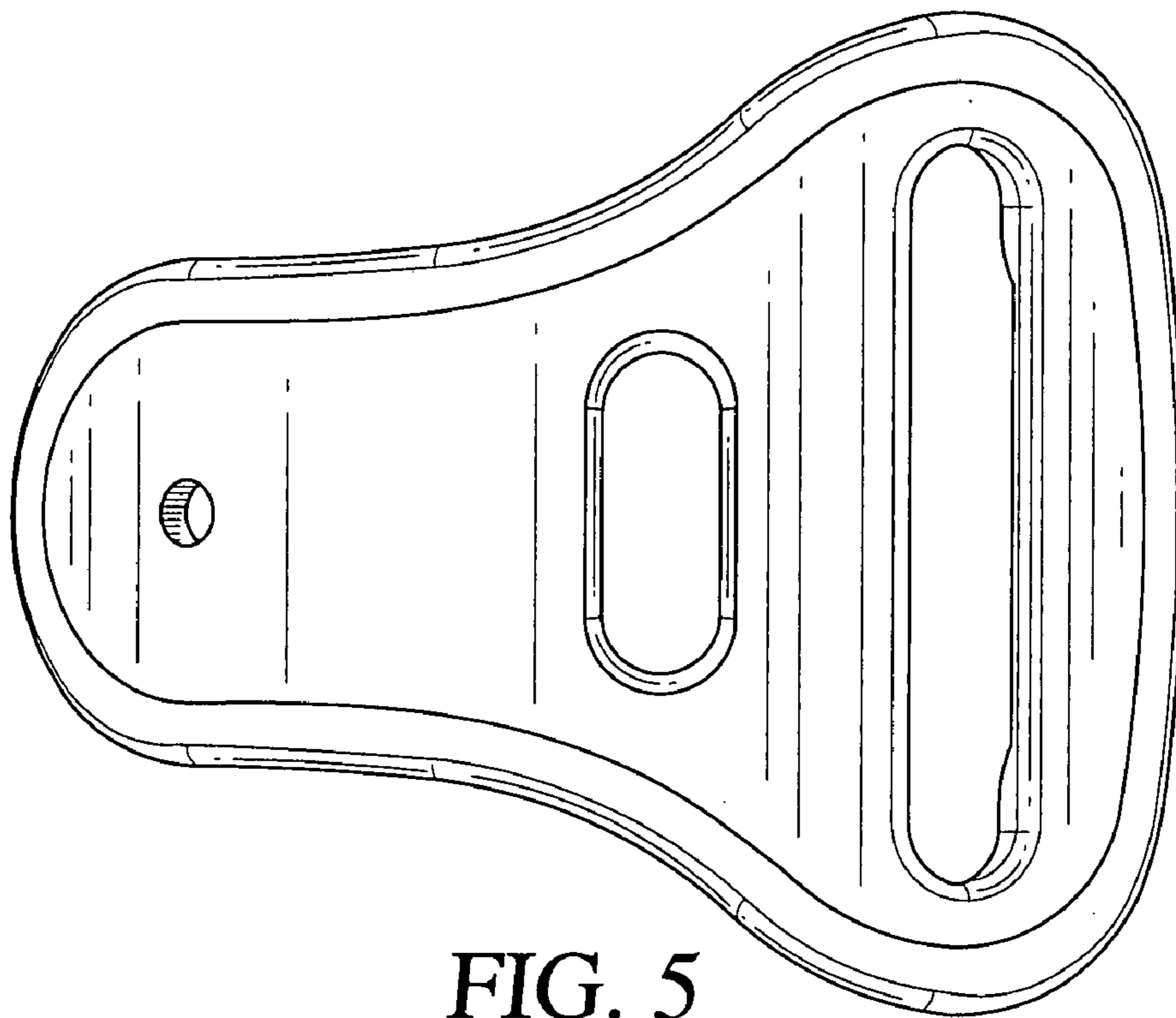


FIG. 5

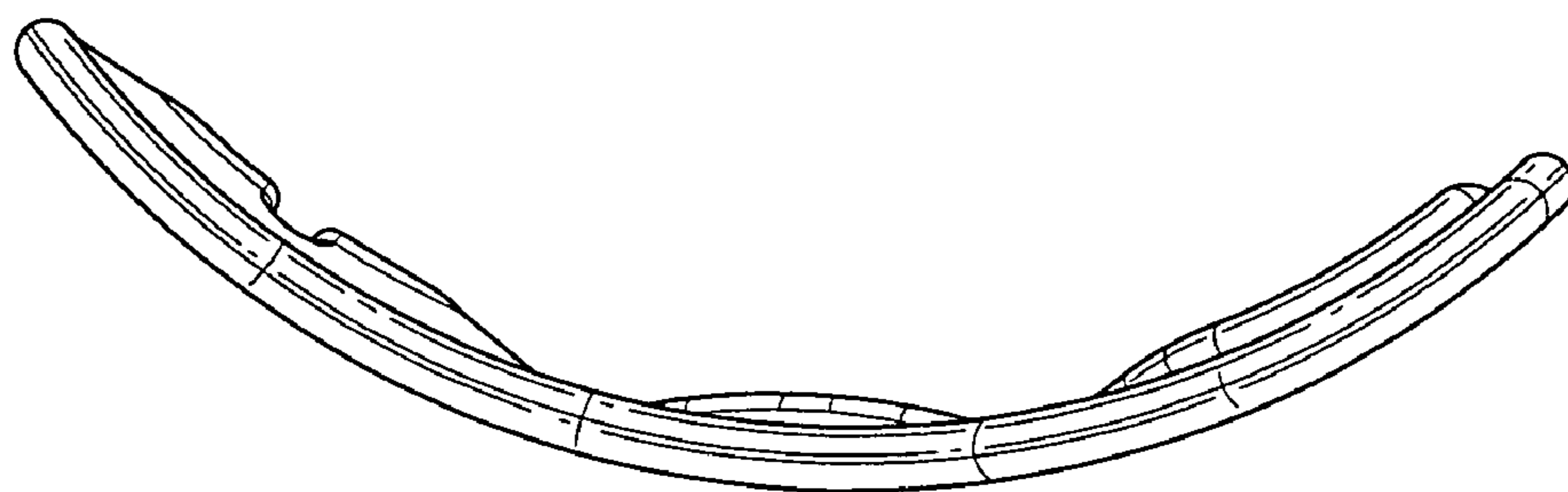


FIG. 7