



US00D567070S

(12) **United States Design Patent**
George

(10) **Patent No.:** **US D567,070 S**
(45) **Date of Patent:** **** Apr. 22, 2008**

(54) **FACIA BOARD HOLDER**

(76) Inventor: **Jeff George**, 1090 Hurelton Rd.,
Oroville, CA (US) 95966

(**) Term: **14 Years**

(21) Appl. No.: **29/291,342**

(22) Filed: **Aug. 23, 2007**

(51) **LOC (8) Cl.** **08-05**

(52) **U.S. Cl.** **D8/371**

(58) **Field of Classification Search** D8/323,
D8/367, 371, 373; D6/323, 375, 524, 552;
211/87, 113; 248/58, 215, 227.2, 229.16,
248/231.81, 301, 309.1, 489; 269/41, 45,
269/82, 92.2, 98, 152, 154, 155, 904, 910;
52/127, 127.1, 127.2, 702, 713, 714; 29/281.1,
29/281.5, 281.6

See application file for complete search history.

(56) **References Cited**

U.S. PATENT DOCUMENTS

- 1,856,847 A * 5/1932 Gates 248/231.81
- 2,286,118 A * 6/1942 Sleeth 248/58
- 2,424,364 A * 7/1947 Myers 248/301
- 2,461,071 A * 2/1949 Mettenleiter 248/227.2
- D193,982 S * 11/1962 Johnson D8/371
- D206,232 S * 11/1966 Magnuson D6/323
- D237,460 S * 11/1975 Bordman D8/373
- 3,982,719 A * 9/1976 Kilborne 248/489
- D251,180 S * 2/1979 Mader et al. D8/371
- D253,079 S * 10/1979 Hill D6/552
- D259,243 S * 5/1981 Argante D8/375
- D291,630 S * 9/1987 Chap D6/323
- 4,728,069 A * 3/1988 Semcer 248/227.2
- 5,192,059 A 3/1993 Silver
- 5,228,667 A * 7/1993 Bridegum 269/45

- 5,611,189 A 3/1997 Fleck
- 5,746,421 A 5/1998 Bowerman
- 5,908,119 A * 6/1999 Kump et al. 211/113
- 6,079,679 A * 6/2000 Mitchell 248/229.16
- 6,202,969 B1 * 3/2001 Orr 248/301
- 6,209,280 B1 4/2001 Bruce
- 6,240,702 B1 6/2001 Wilson
- 6,318,711 B1 11/2001 Auston, Jr.
- 6,513,286 B2 2/2003 Vierra
- 2002/0189194 A1 12/2002 Santa Cruz
- 2003/0066938 A1 * 4/2003 Zimmerman 248/301

* cited by examiner

Primary Examiner—T. Chase Nelson
Assistant Examiner—Barbara B Lohr
(74) *Attorney, Agent, or Firm*—Heisler & Associates

(57) **CLAIM**

The ornamental design for a facia board holder, as shown and described.

DESCRIPTION

FIG. 1 is a perspective view of the facia board holder of this invention.

FIG. 2 is a top plan view of the invention.

FIG. 3 is a right side view of the invention, the left side view being a mirror image.

FIG. 4 is a front elevation view of the invention.

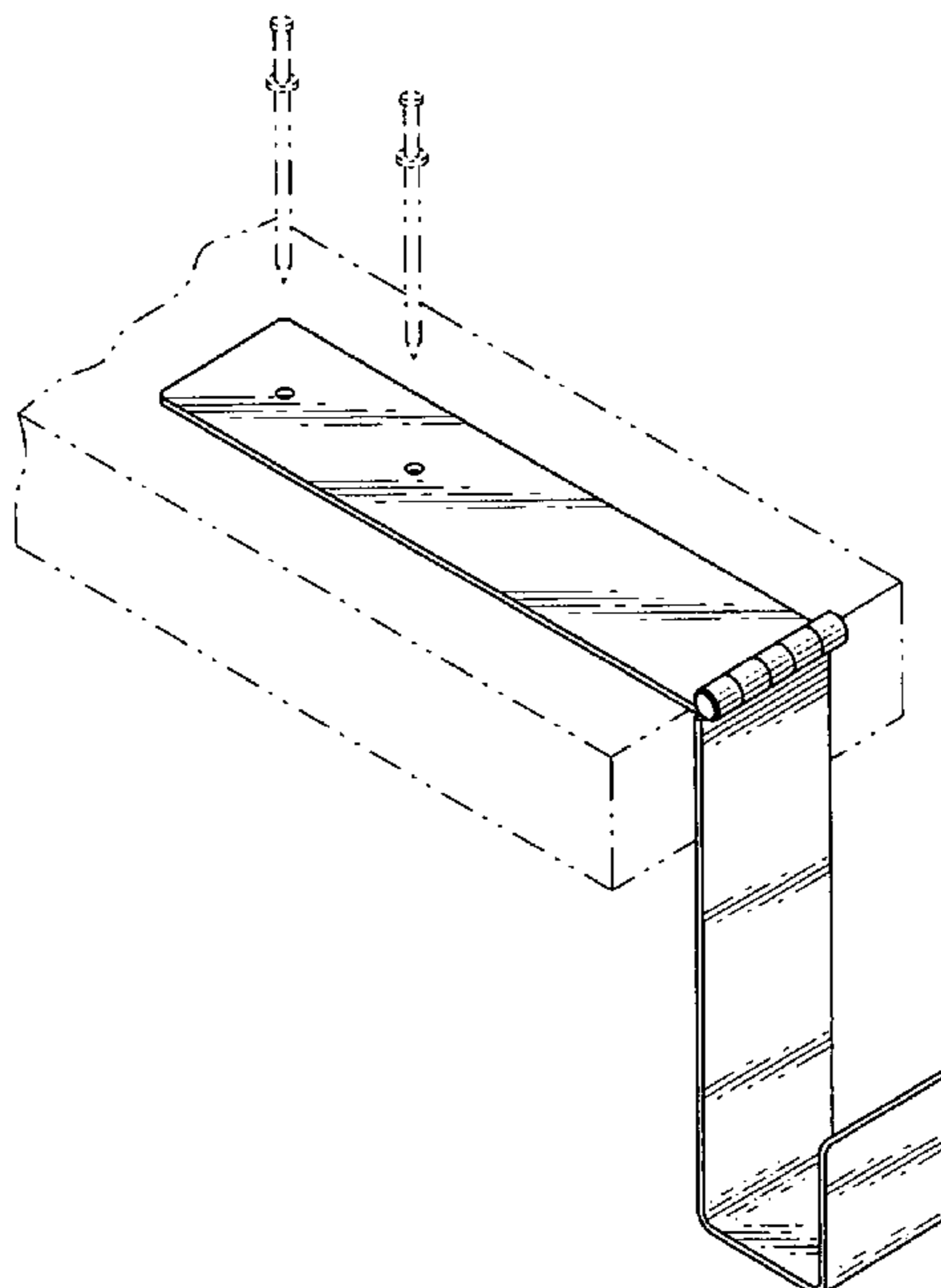
FIG. 5 is a bottom plan view of the invention.

FIG. 6 is a rear elevation view of the invention; and,

FIG. 7 is a perspective view of the invention in use mounted to a broken line rafter.

The broken lines in FIGS. 1 and 7 are for purposes of illustration only and form no part of the claimed design.

1 Claim, 2 Drawing Sheets



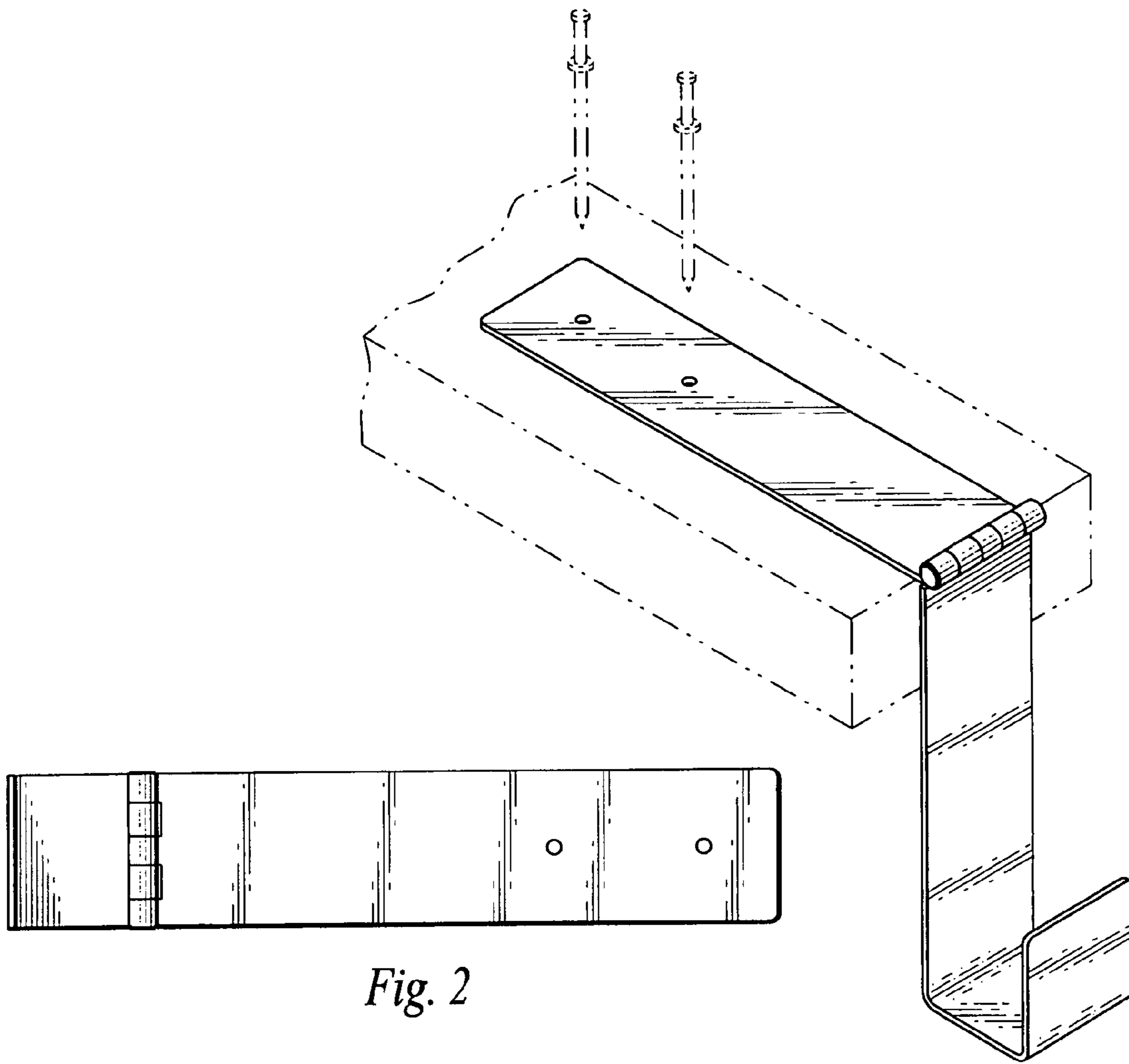


Fig. 2

Fig. 1

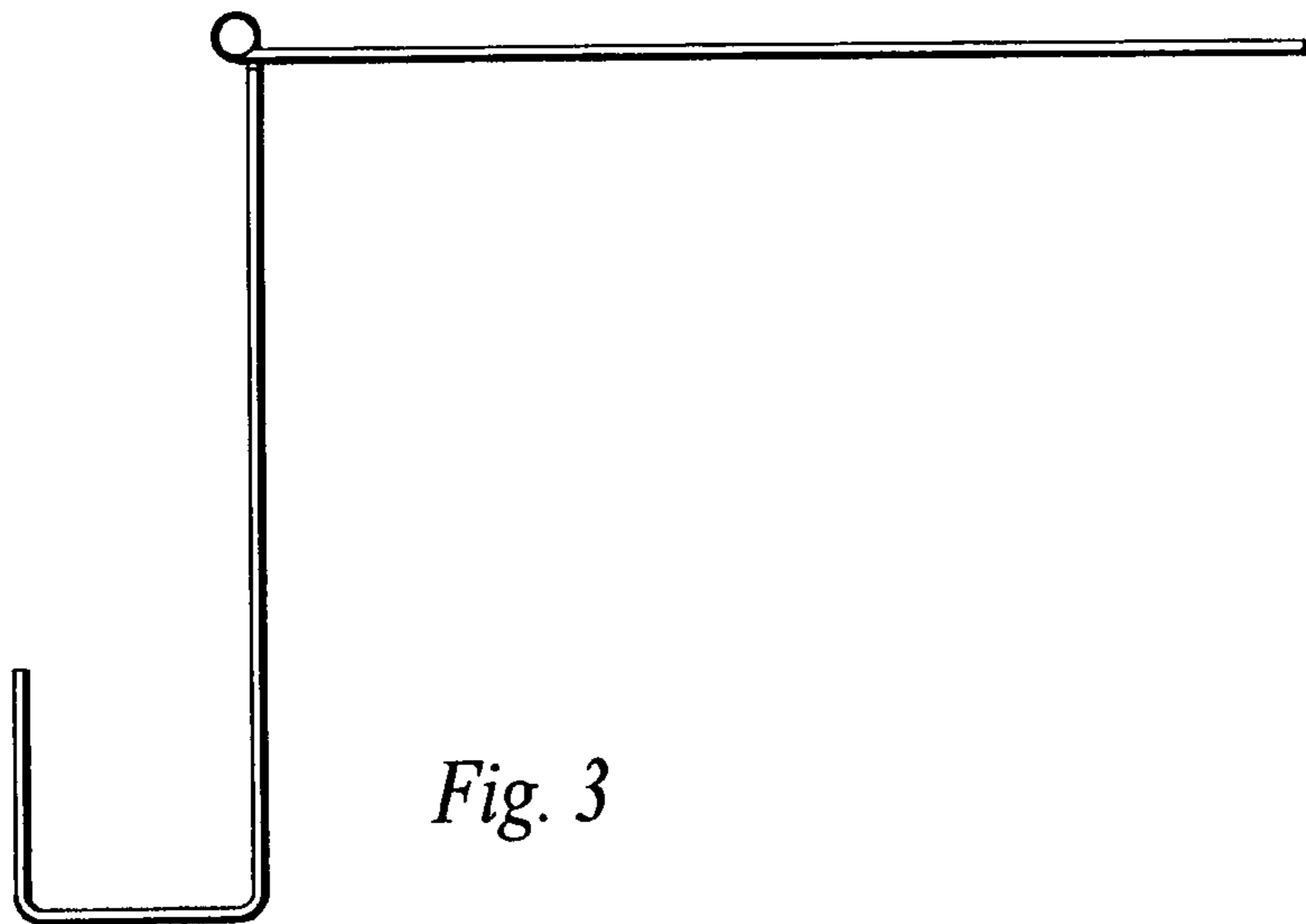


Fig. 3

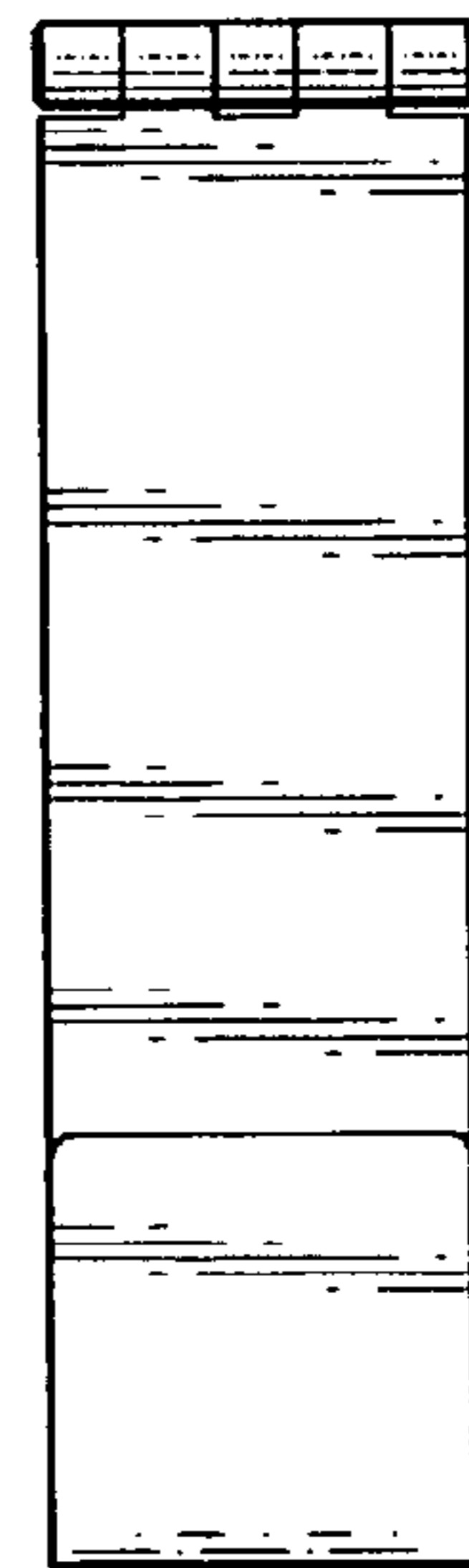


Fig. 4

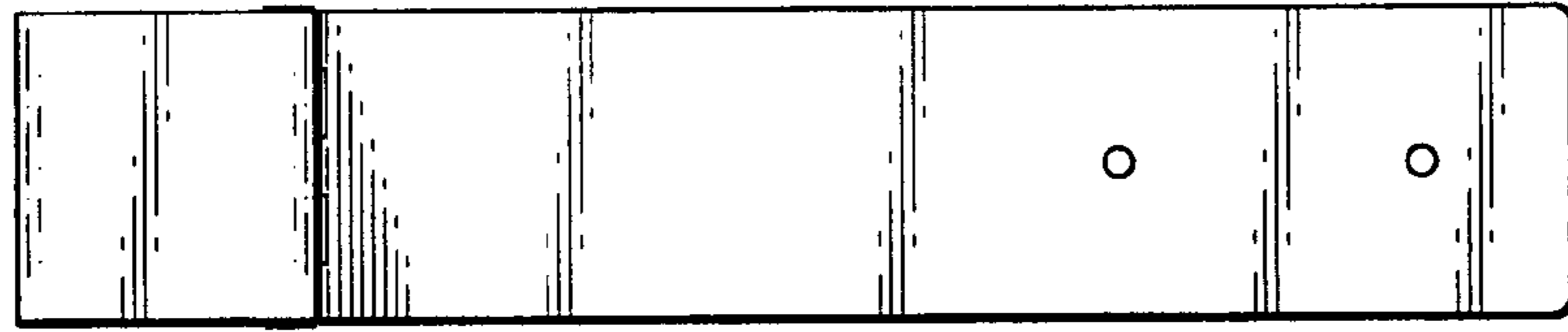


Fig. 5

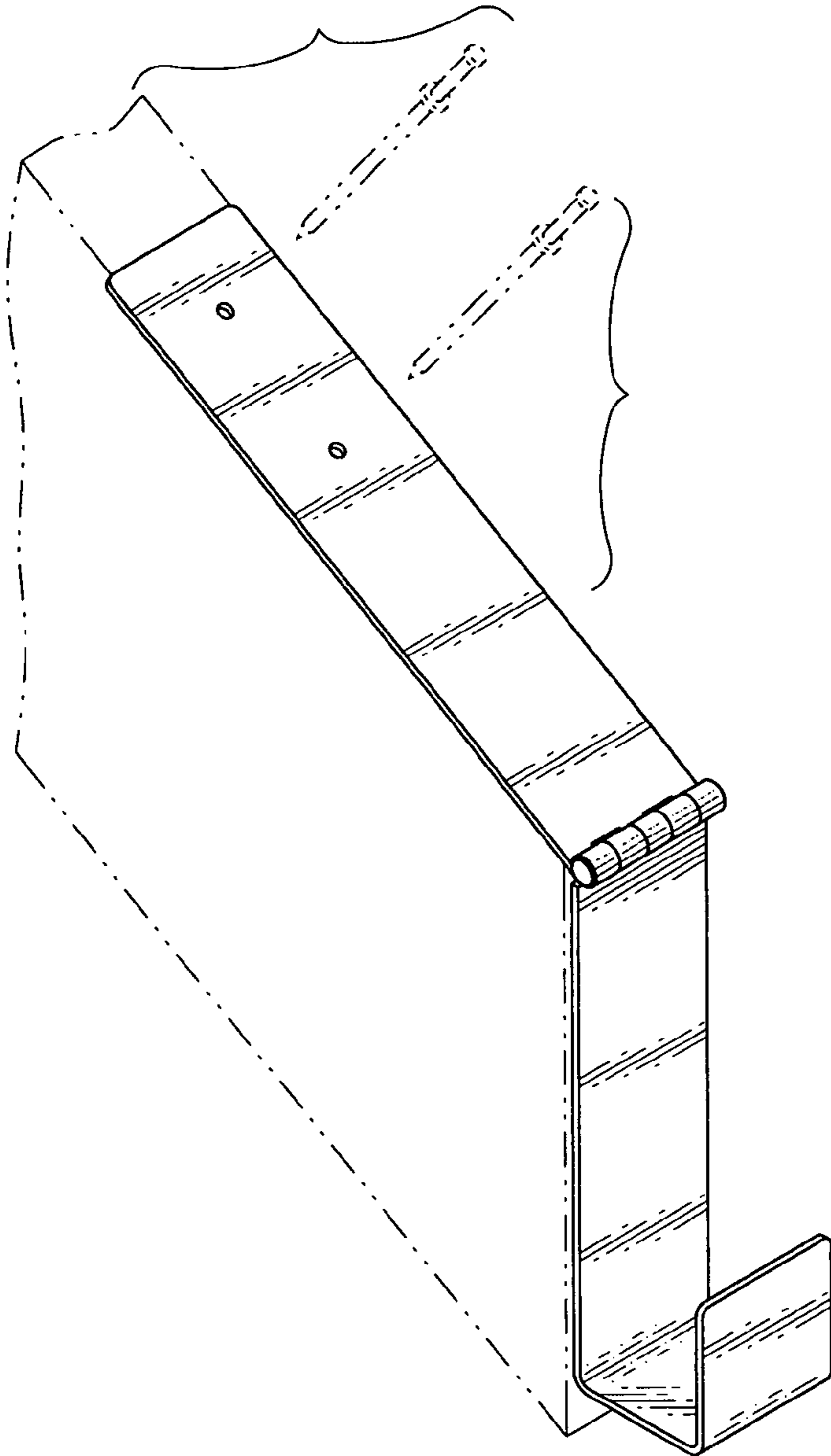


Fig. 7

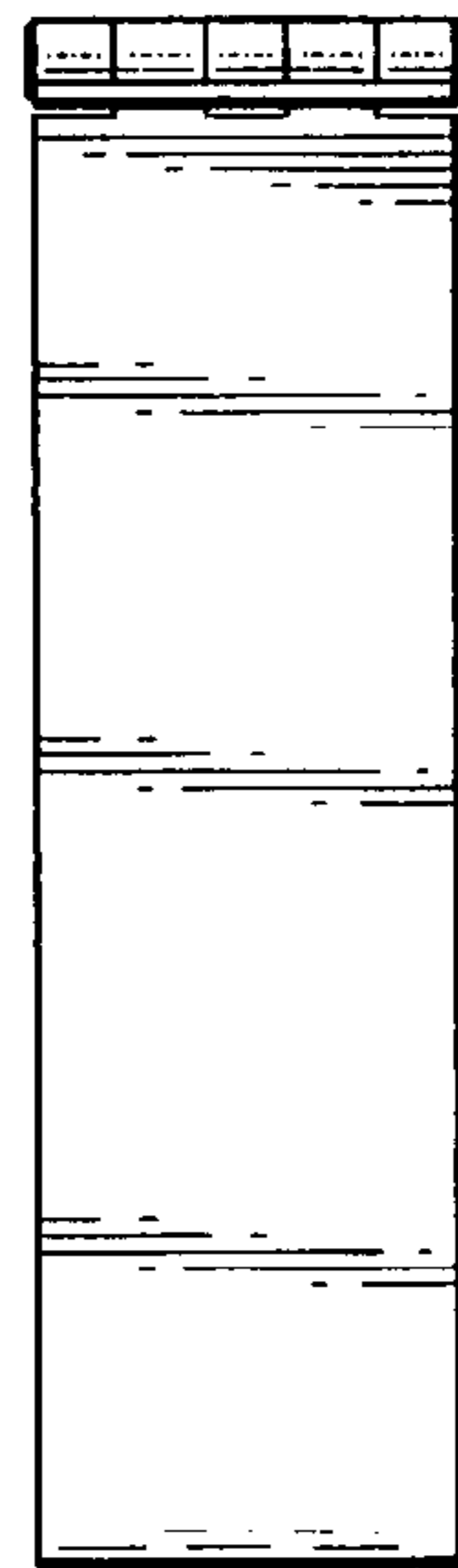


Fig. 6