



US00D567068S

(12) **United States Design Patent**
Barton

(10) **Patent No.:** **US D567,068 S**
(45) **Date of Patent:** **** Apr. 22, 2008**

(54) **PADLOCK VAULT**

(76) Inventor: **James C. Barton**, 1658 Smyrna Rd.,
Keatchie, LA (US) 71046

(**) Term: **14 Years**

(21) Appl. No.: **29/263,055**

(22) Filed: **Jul. 14, 2006**

(51) **LOC (8) Cl.** **08-07**

(52) **U.S. Cl.** **D8/346**

(58) **Field of Classification Search** D8/330-348;
70/233, 236, 158, 18, 54-56, 57.1, 14, 20
See application file for complete search history.

(56) **References Cited**

U.S. PATENT DOCUMENTS

4,896,518	A *	1/1990	Appelgren	70/54
5,219,384	A *	6/1993	Elsfelder et al.	70/18
D361,928	S *	9/1995	Gray et al.	D8/331
6,439,008	B1 *	8/2002	Keil	70/56
D526,557	S *	8/2006	Falconer et al.	D8/346
D538,135	S *	3/2007	Isaacs	D8/347

* cited by examiner

Primary Examiner—Mitchell Siegel

(74) *Attorney, Agent, or Firm*—R. Keith Harrison

(57) **CLAIM**

The ornamental design for a “padlock vault”, as shown and described.

DESCRIPTION

FIG. 1 is a front perspective view of a first embodiment of the padlock vault;

FIG. 2 is a front view of the first embodiment of the padlock vault;

FIG. 3 is a rear view of the first embodiment of the padlock vault;

FIG. 4 is a left side view of the first embodiment of the padlock vault;

FIG. 5 is a right side view of the first embodiment of the padlock vault;

FIG. 6 is a top view of the first embodiment of the padlock vault, the bottom view of the first embodiment of the padlock vault being a mirror image of the top view of the first embodiment of the padlock vault;

FIG. 7 is a perspective view of a lock plate element of the first embodiment of the padlock vault, shown separately for clarity of illustration;

FIG. 8 is a front perspective view of a vault-housing element of the first embodiment of the padlock vault, shown without the lock plate element;

FIG. 9 is a front perspective view of the first embodiment of the padlock vault, the lock plate element shown in an alternate position, the broken line showing of the padlock, and latch are for illustrative purposes only and form no part of the claimed design;

FIG. 10 is a front perspective view of a second embodiment of the padlock vault;

FIG. 11 is a front view of the second embodiment of the padlock vault;

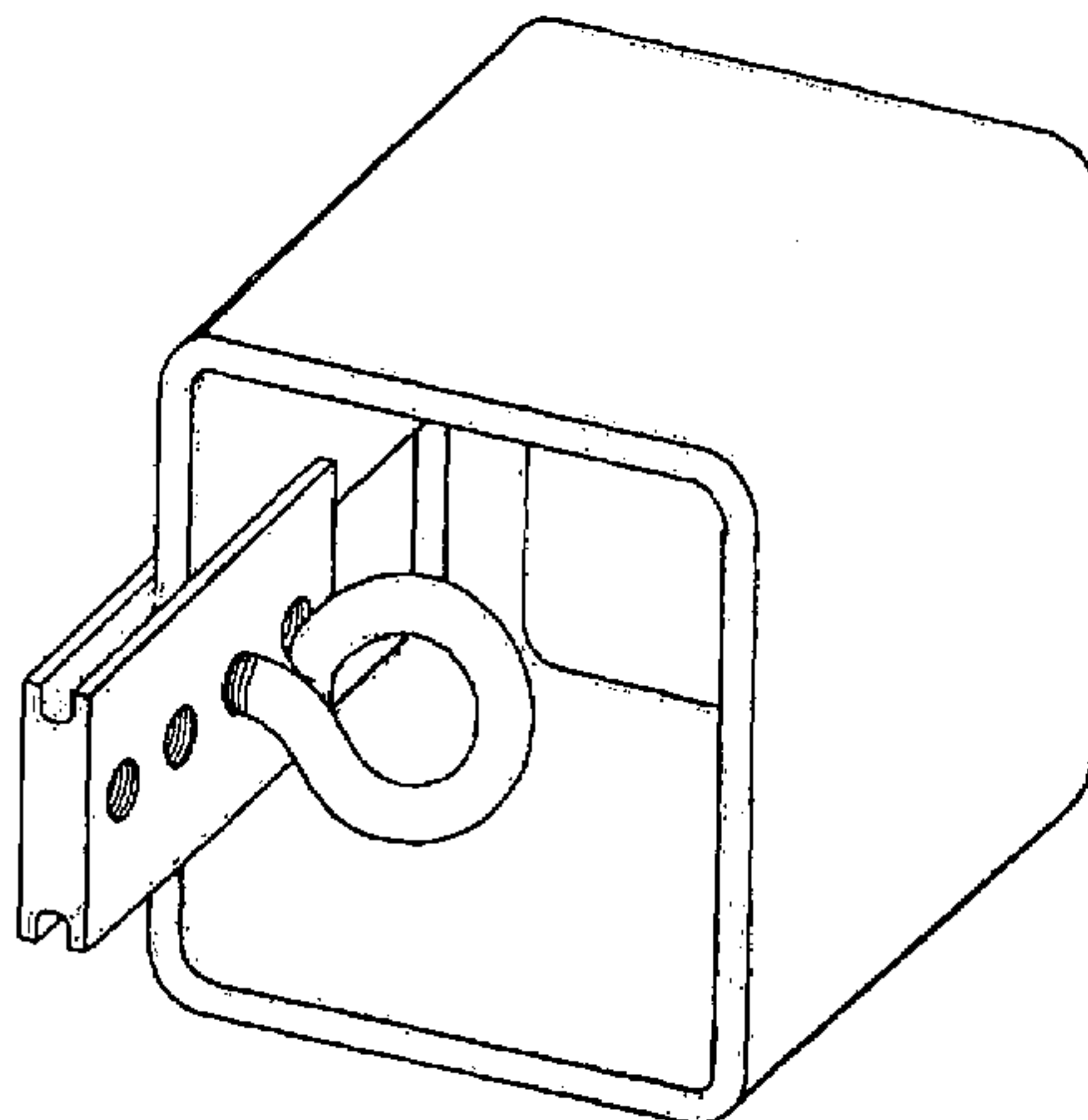
FIG. 12 is a rear view of the second embodiment of the padlock vault;

FIG. 13 is a left side view of the second embodiment of the padlock vault;

FIG. 14 is a right side view of the second embodiment of the padlock vault; and,

FIG. 15 is a top view of the second embodiment of the padlock vault, the bottom view of the second embodiment of the padlock vault being a mirror image of the top view of the second embodiment of the padlock vault.

1 Claim, 5 Drawing Sheets



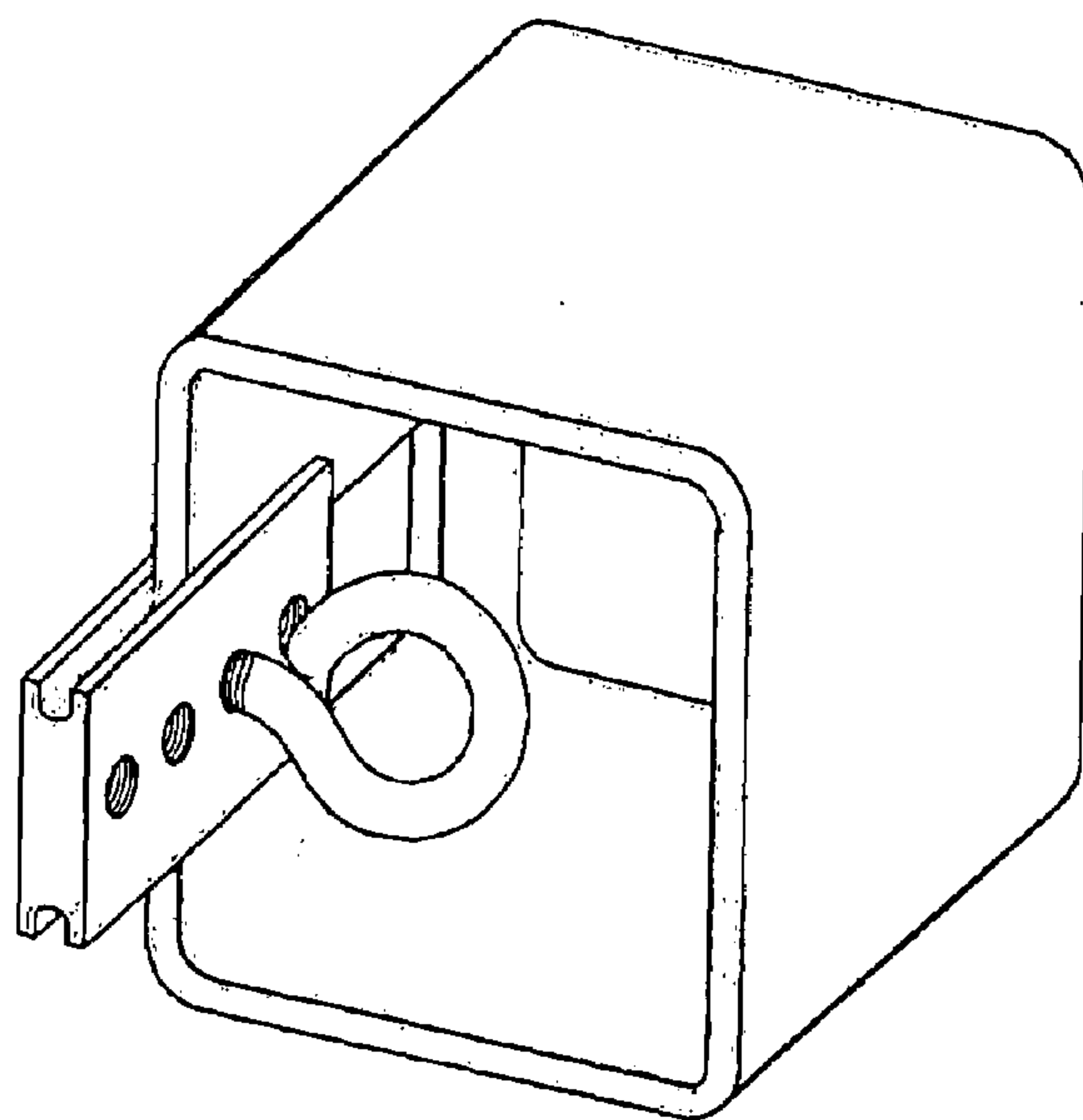


FIG. 1

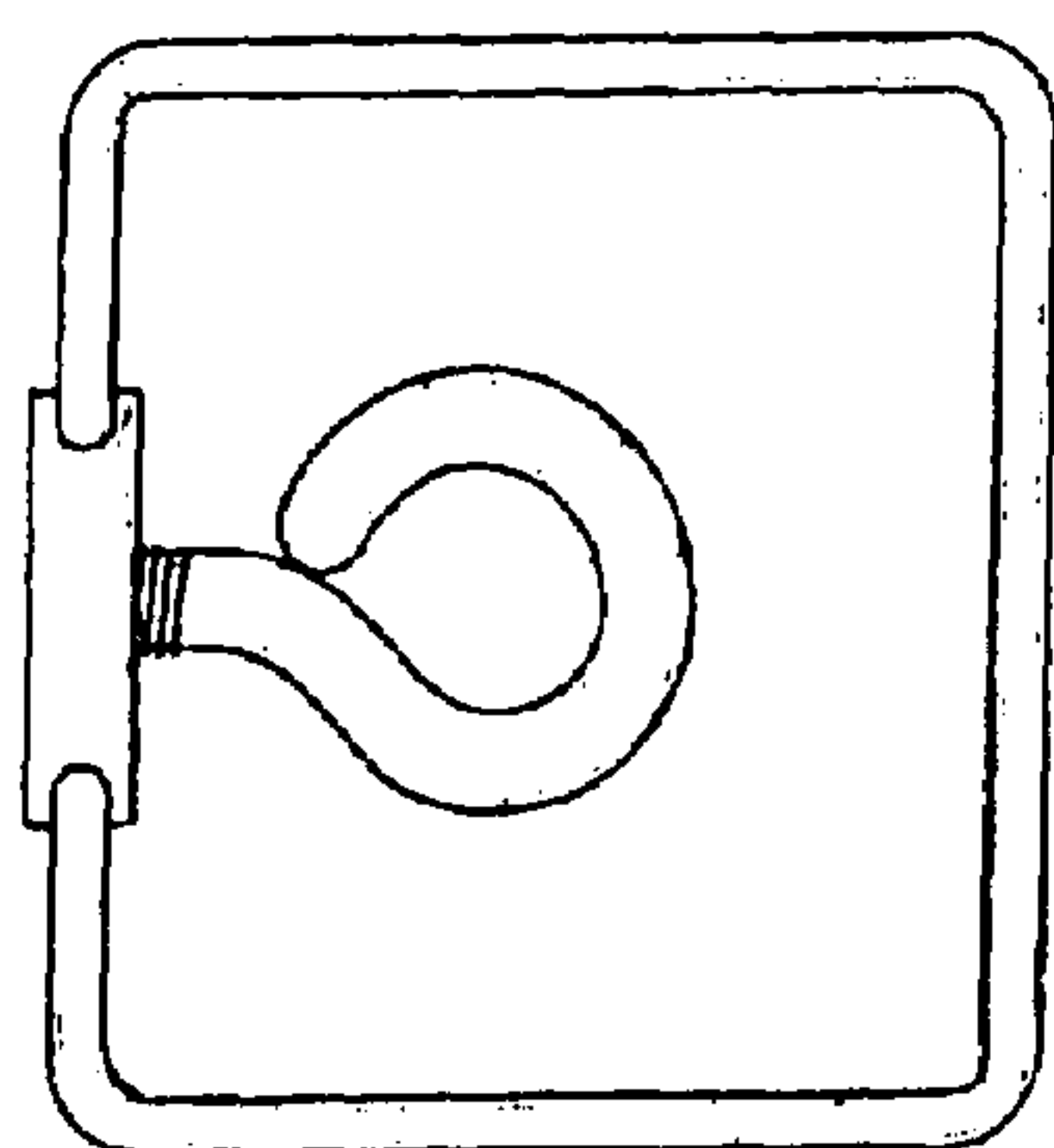


FIG. 2

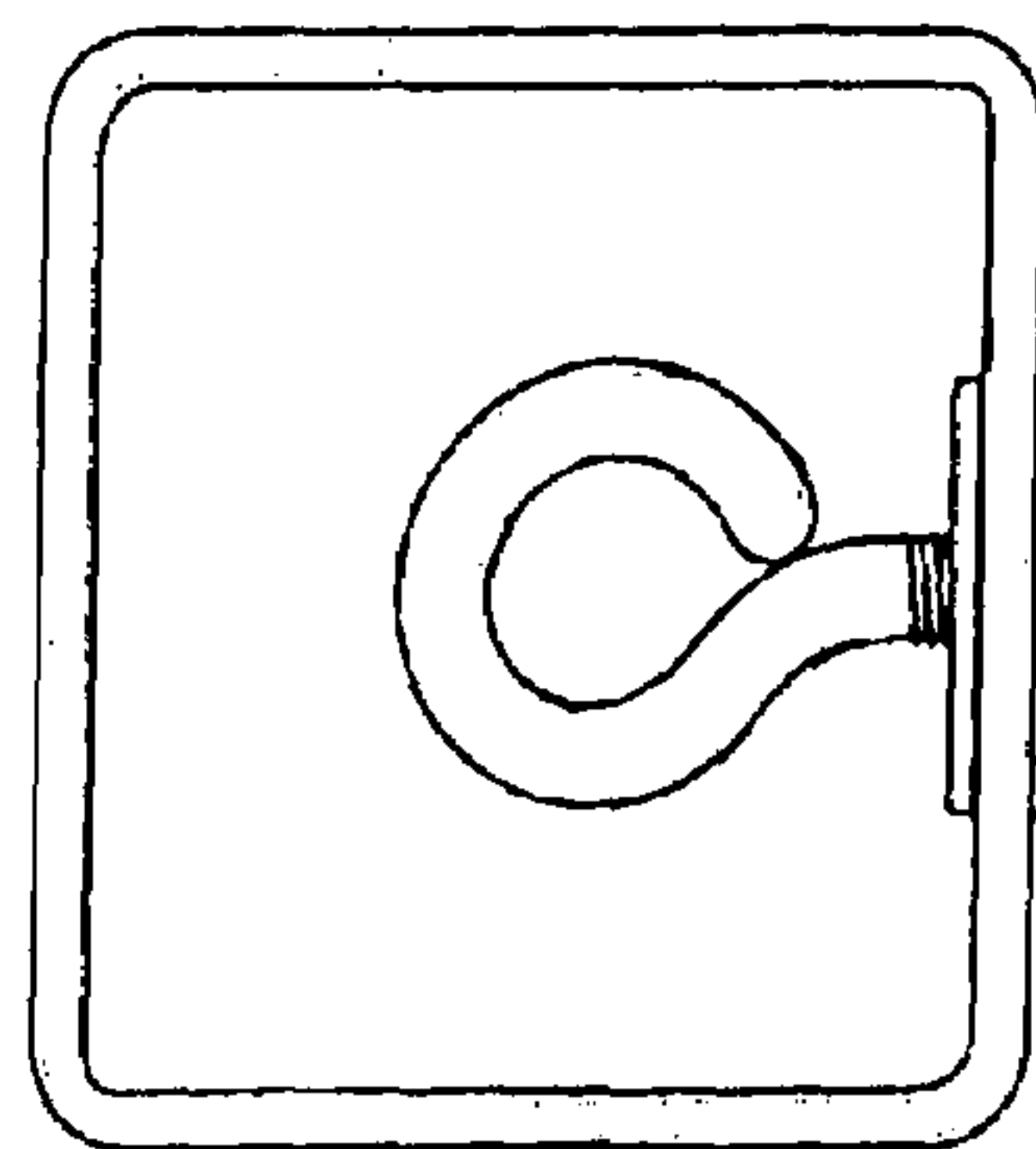


FIG. 3

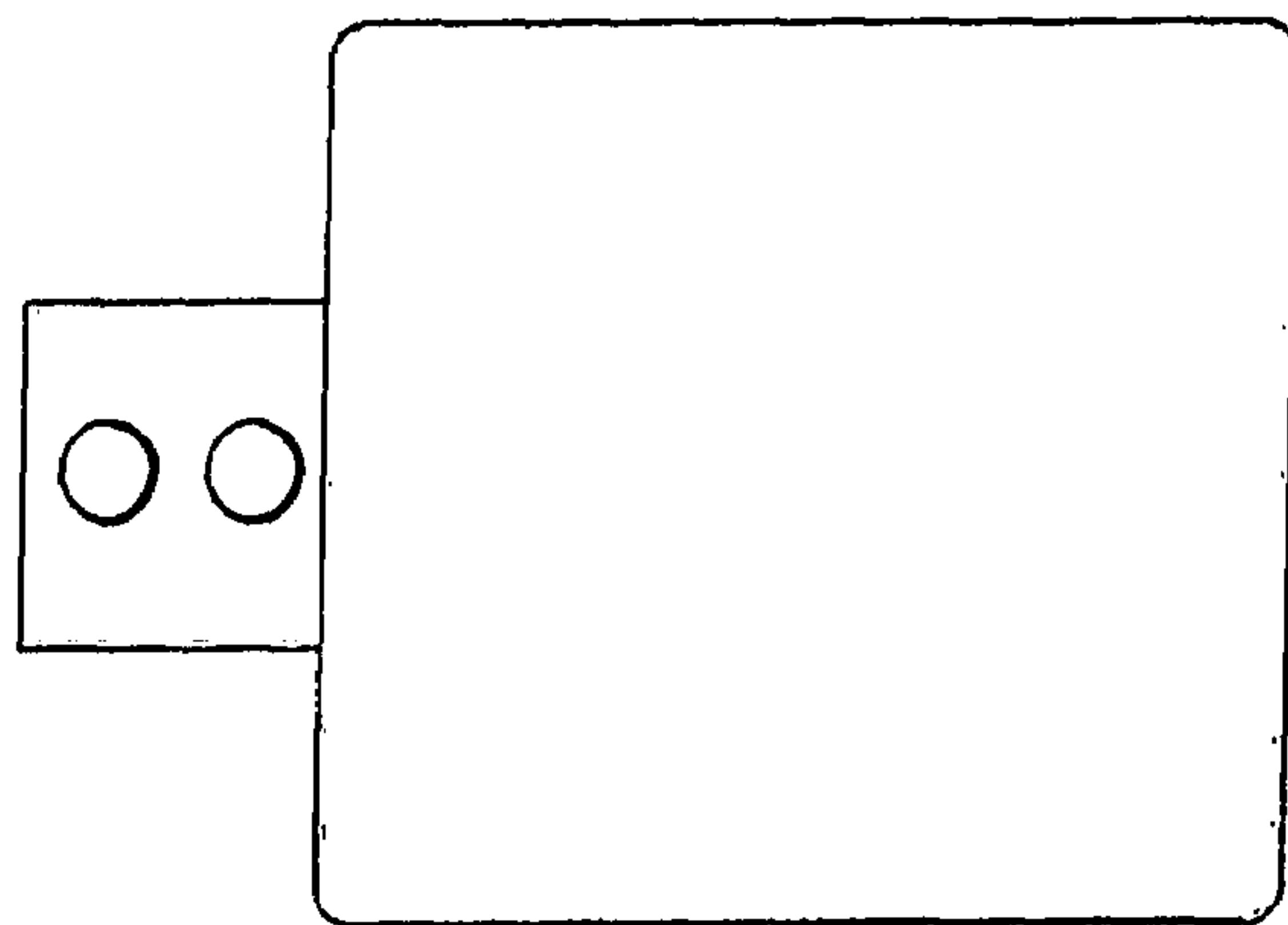


FIG. 4

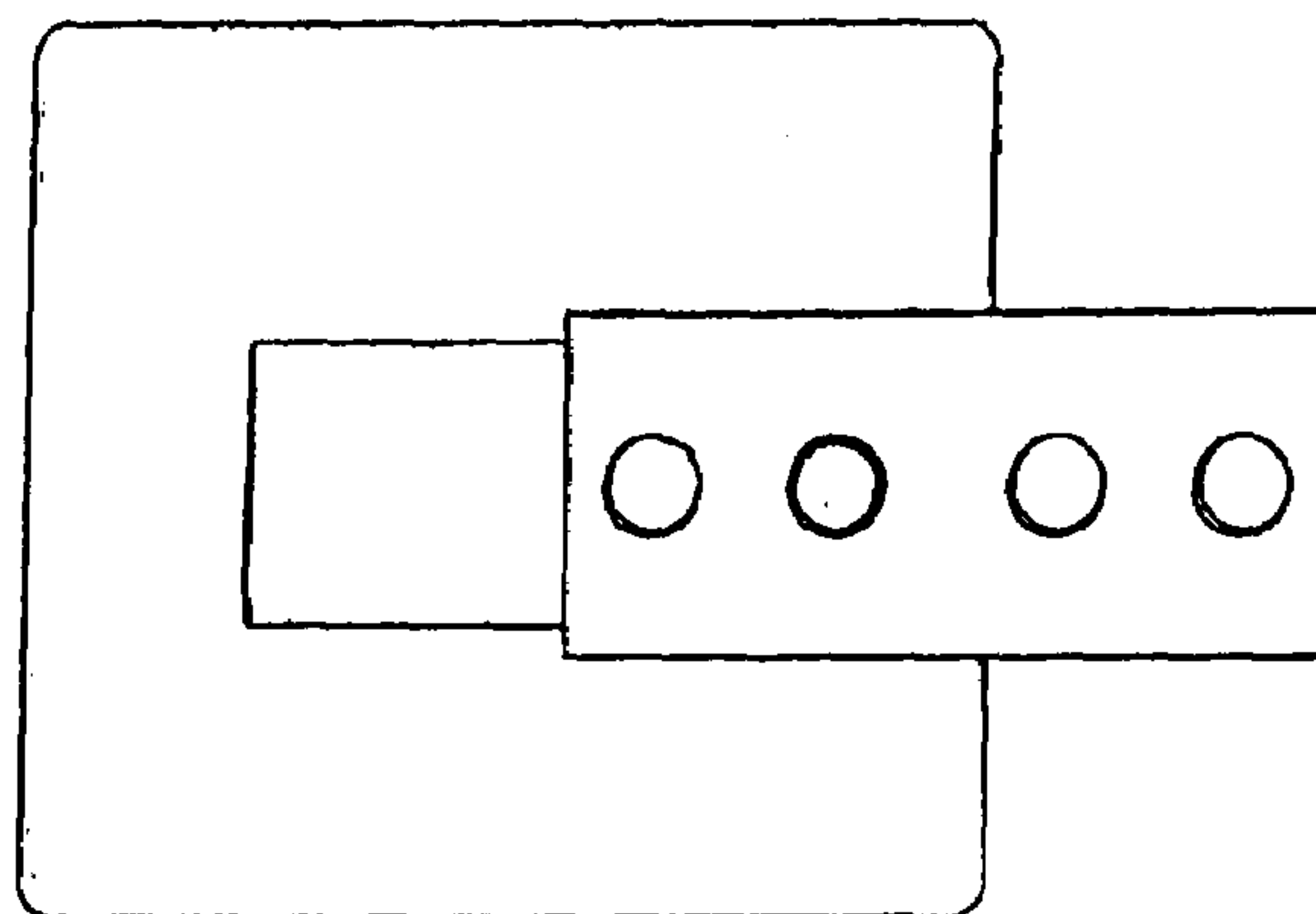


FIG. 5

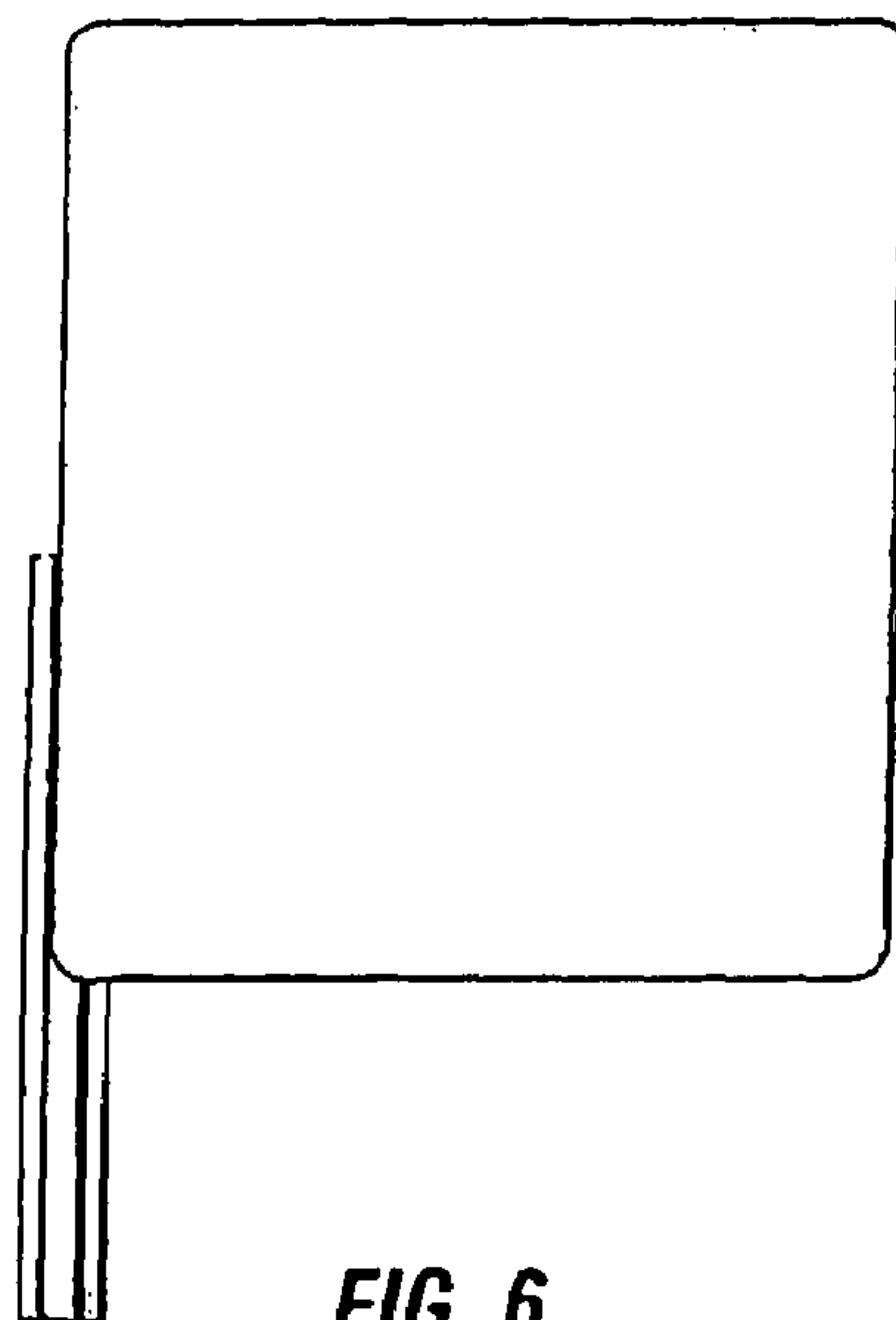


FIG. 6

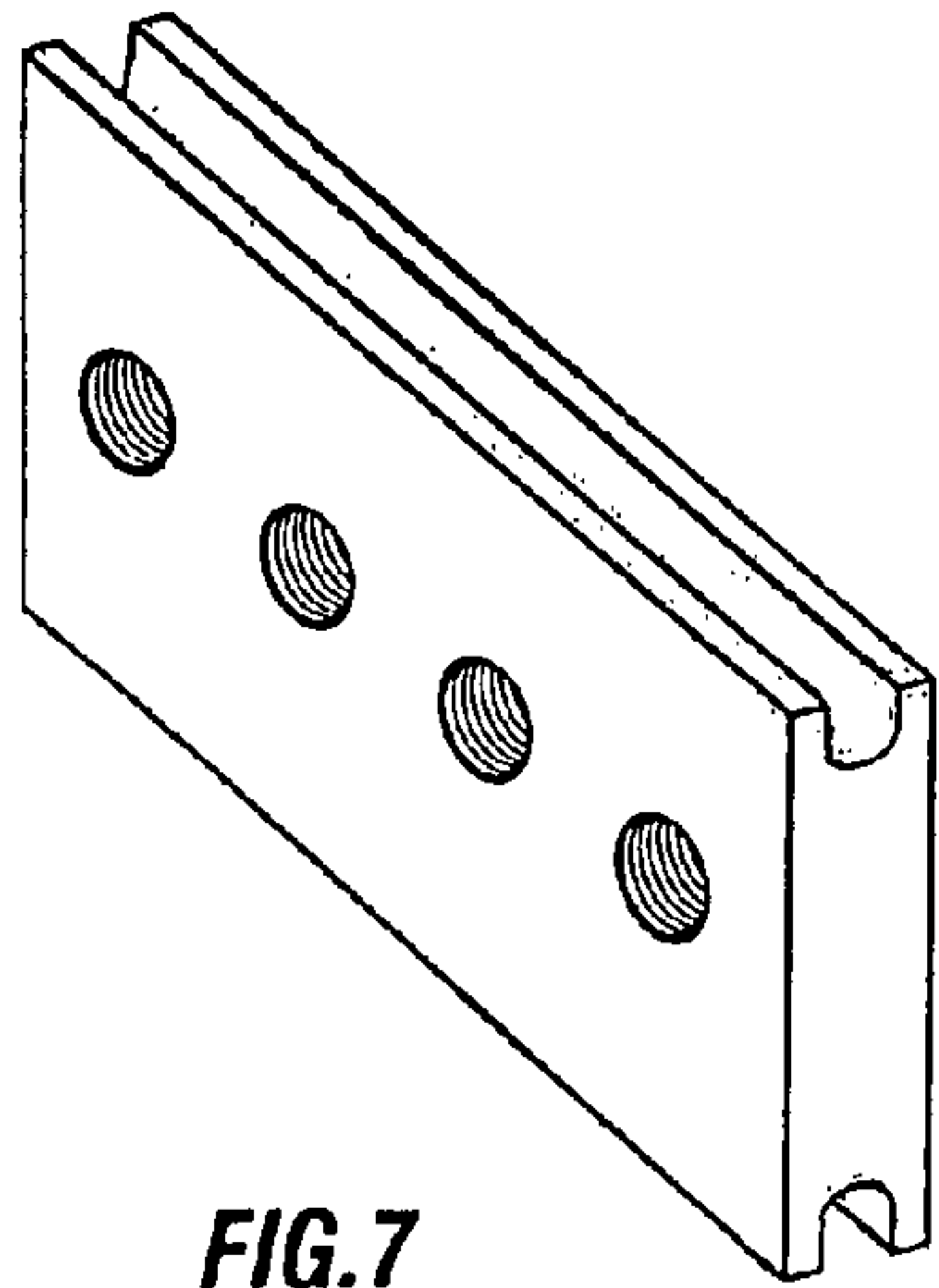


FIG. 7

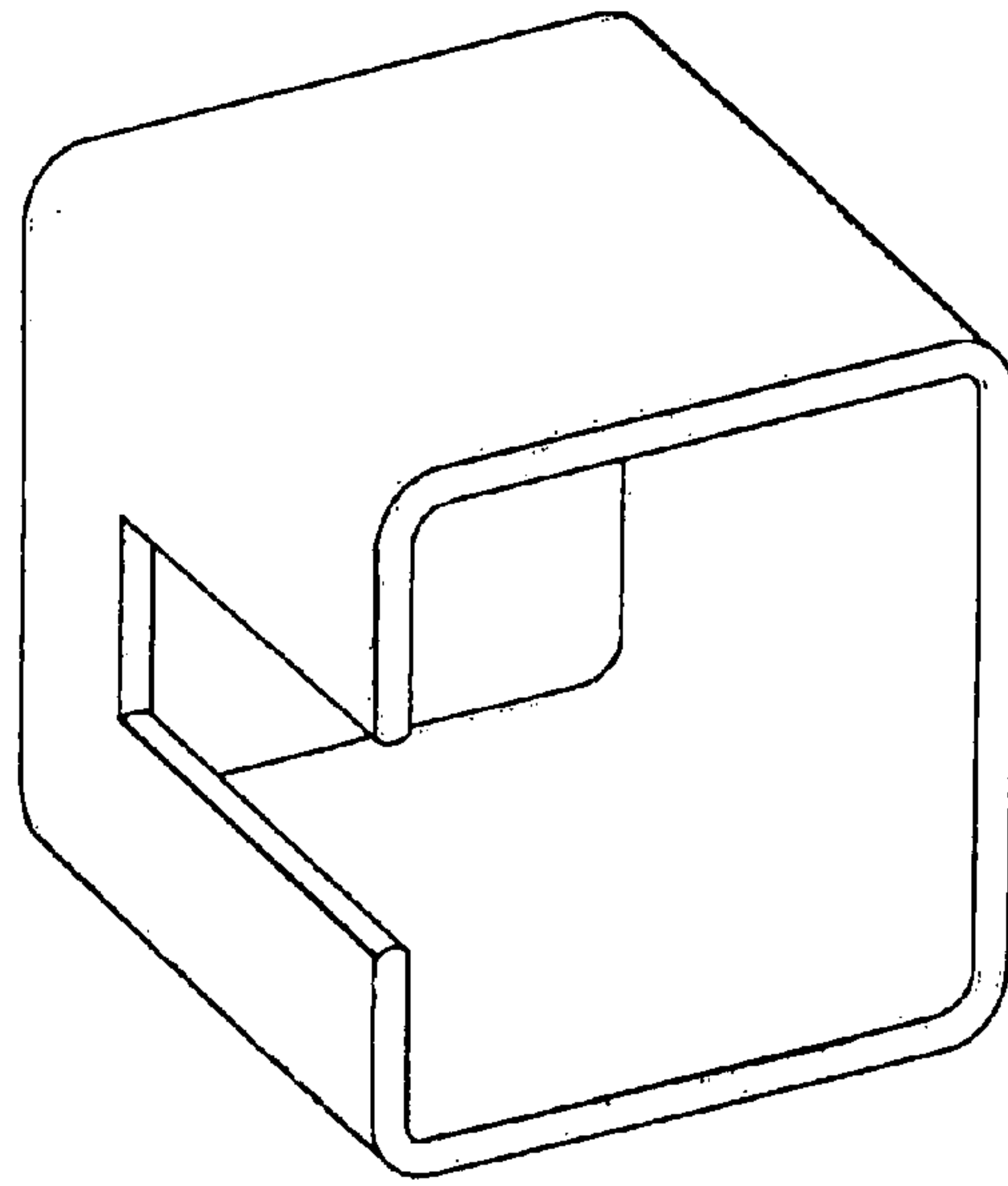


FIG. 8

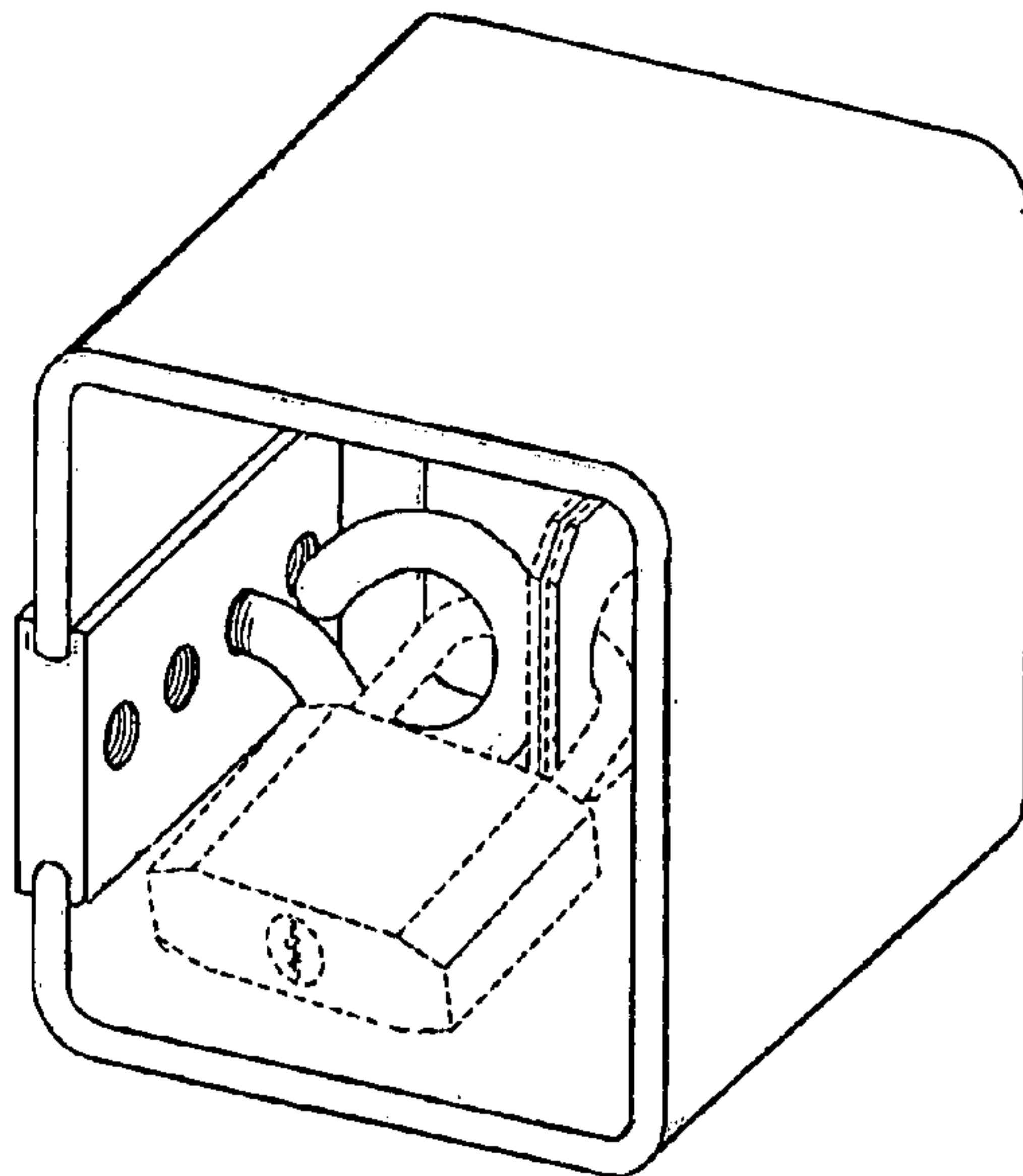


FIG. 9

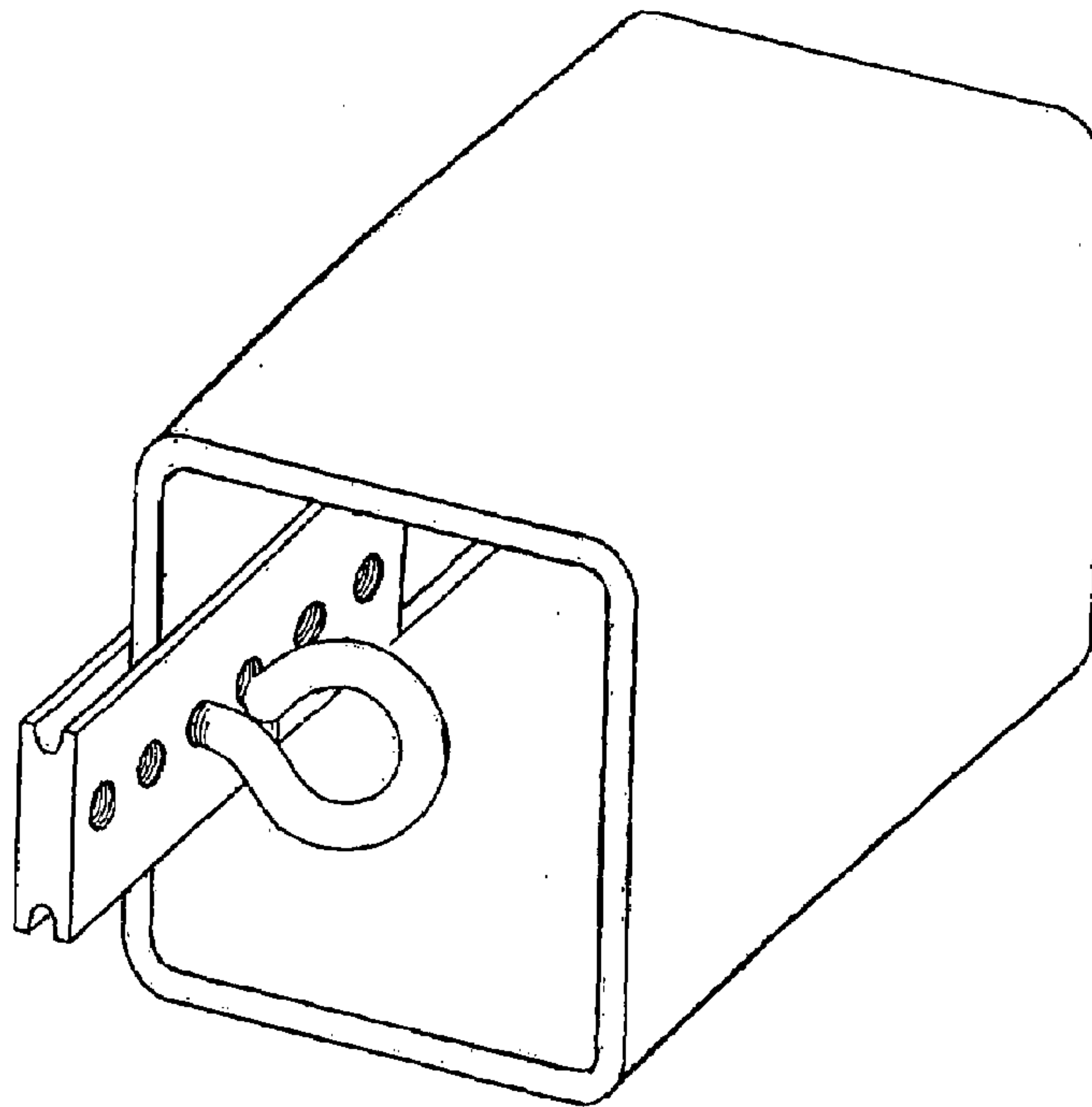


FIG. 10

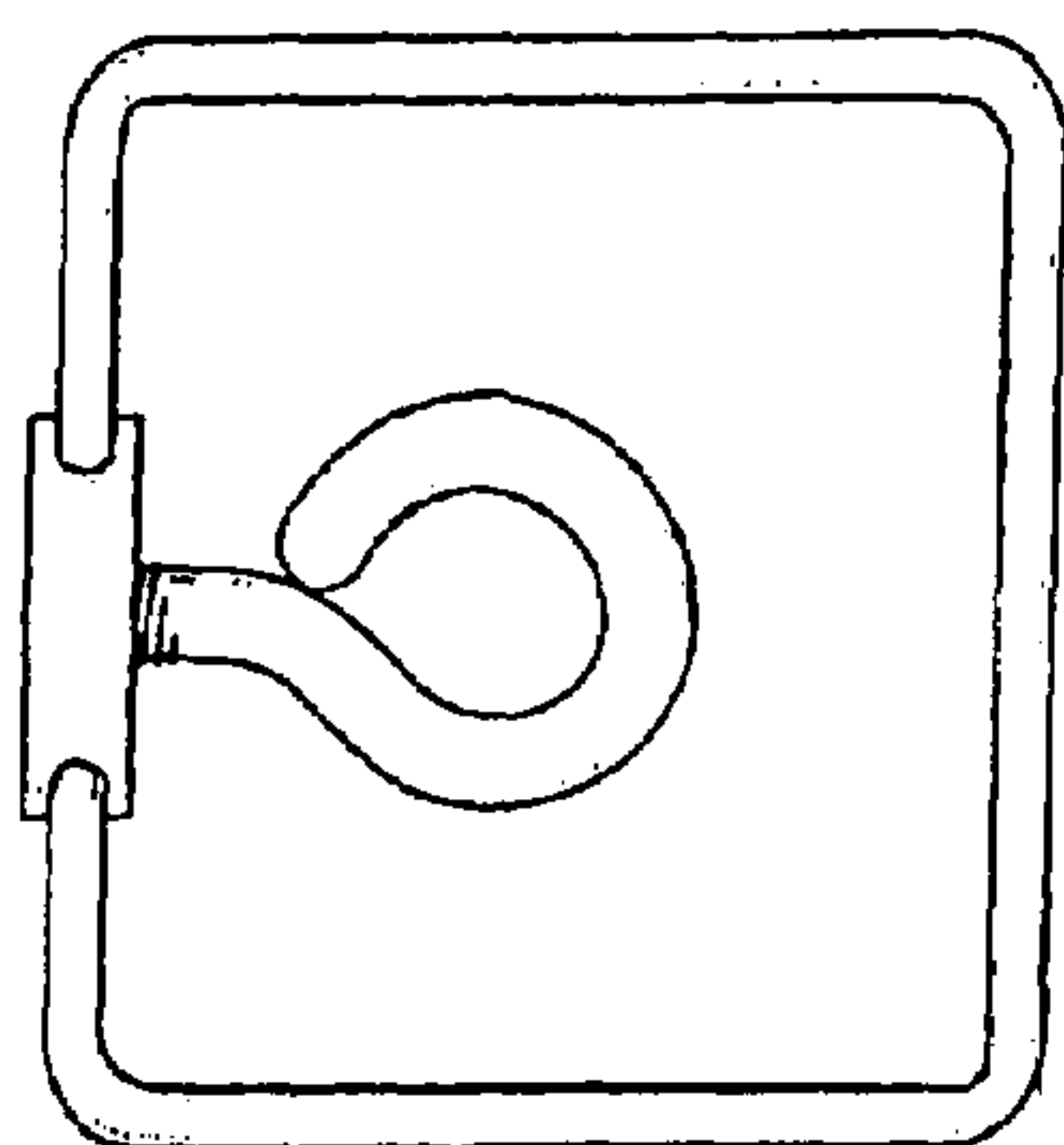


FIG. 11

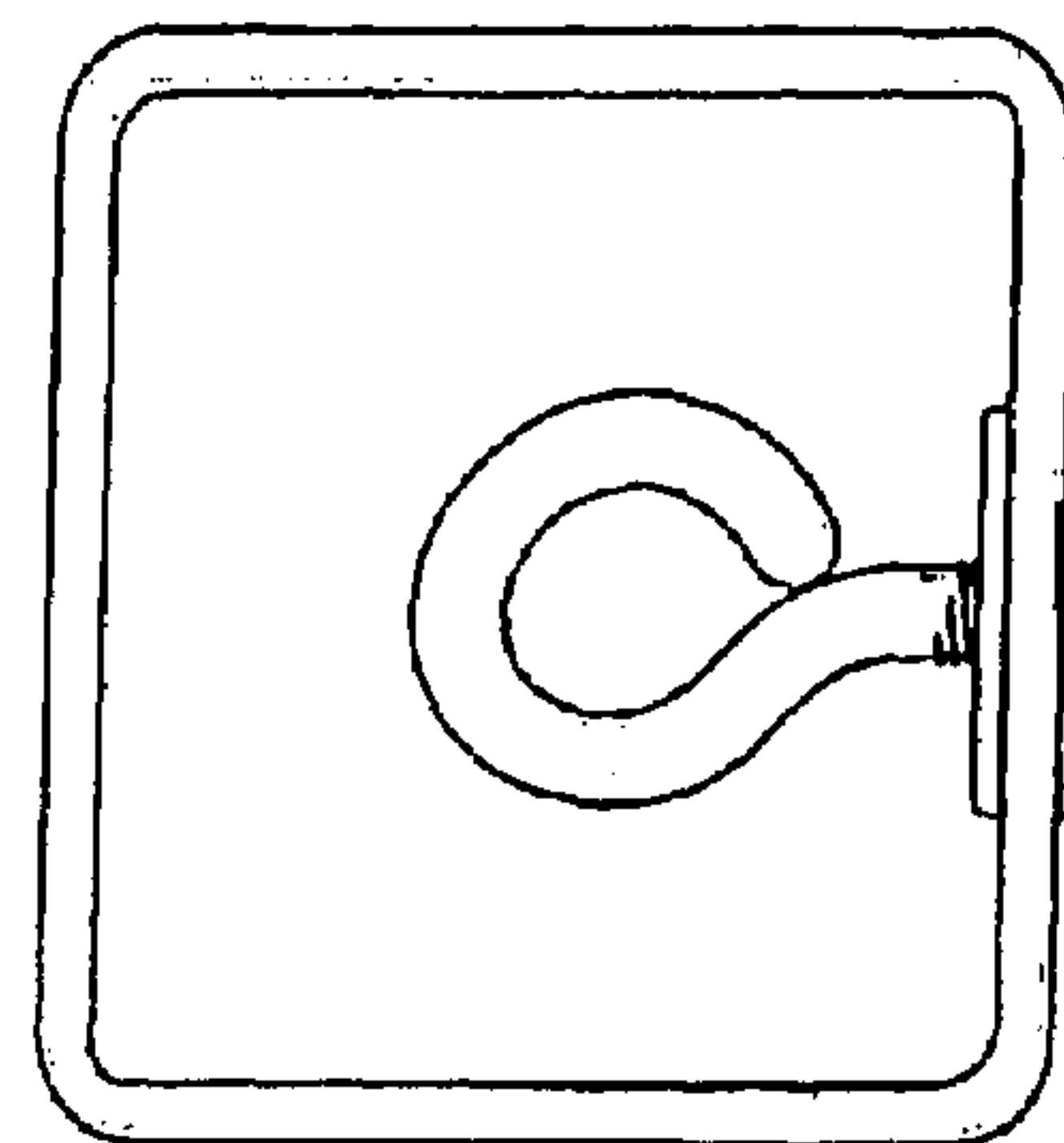


FIG. 12

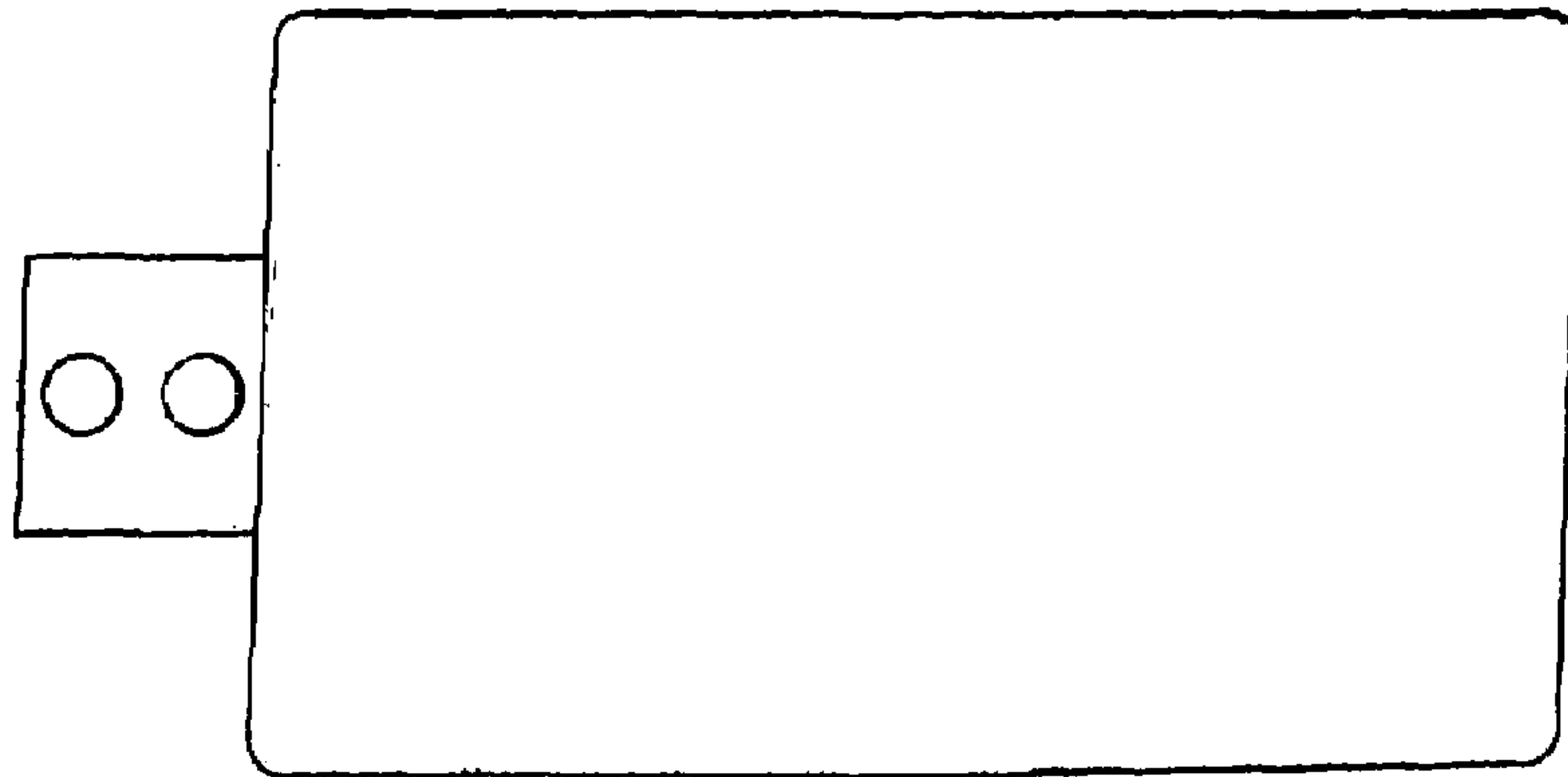


FIG. 13

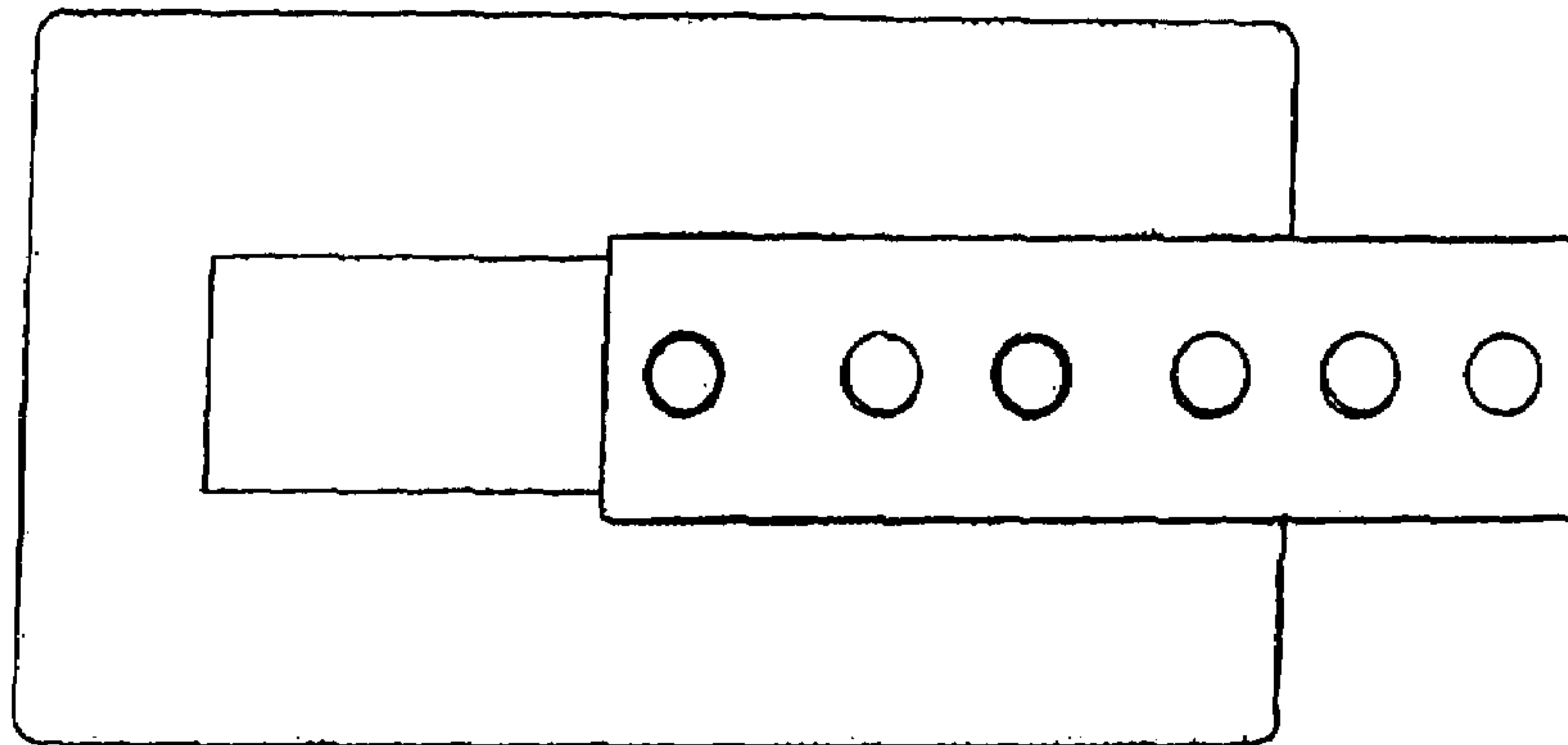


FIG. 14

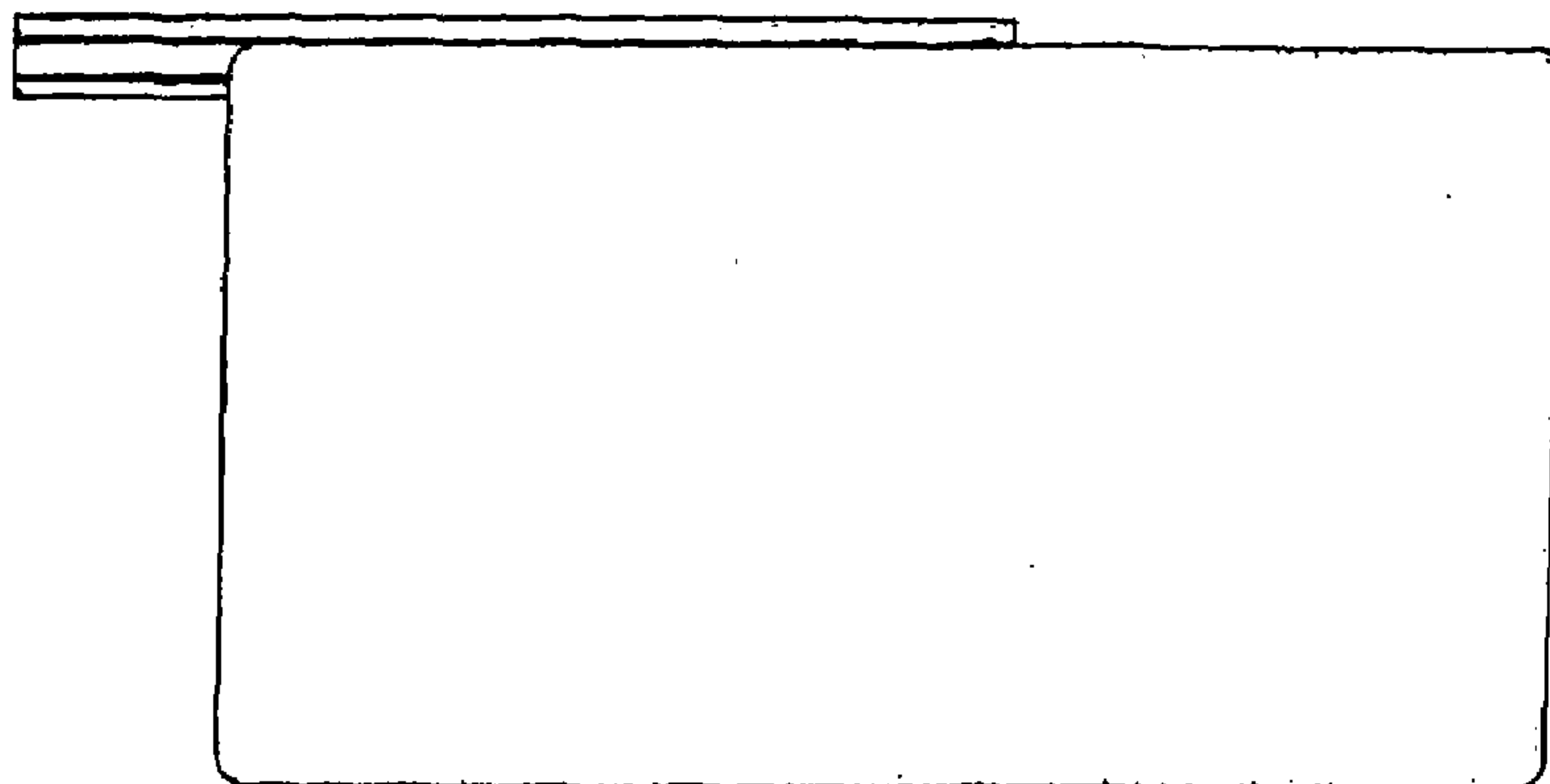


FIG. 15