



US00D567065S

(12) **United States Design Patent**  
**Senn**

(10) **Patent No.:** **US D567,065 S**

(45) **Date of Patent:** **\*\* Apr. 22, 2008**

(54) **BAR LOCK ASSEMBLY GUIDE PLATE**

(57) **CLAIM**

(75) Inventor: **Brian A. Senn**, South Milwaukee, WI  
(US)

The ornamental design for a bar lock assembly guide plate,  
as shown and described.

(73) Assignee: **Powerbrace Corporation**, Kenosha,  
WI (US)

**DESCRIPTION**

(\*\*) Term: **14 Years**

FIG. 1 is a top plan view of one embodiment of a bar lock  
assembly guide plate showing my new design;

(21) Appl. No.: **29/271,328**

FIG. 2 is a left end view thereof;

(22) Filed: **Jan. 16, 2007**

FIG. 3 is a right end view thereof;

(51) **LOC (8) Cl.** ..... **08-07**

FIG. 4 is a right side elevational view thereof; with the left  
side elevational view being a mirror image thereof;

(52) **U.S. Cl.** ..... **D8/343**

FIG. 5 is a bottom plan view thereof;

(58) **Field of Classification Search** ..... D8/330-348,  
D8/354, 380; 49/219; 292/218, 59; 248/74.1;  
384/428; 160/170

FIG. 6 is a top plan view of a second embodiment of my new  
design;

See application file for complete search history.

FIG. 7 is a left end view thereof;

(56) **References Cited**

FIG. 8 is a right end view thereof;

**U.S. PATENT DOCUMENTS**

FIG. 9 is a right side elevational view thereof; with the left  
side elevational view being a mirror image thereof;

2,944,303	A *	7/1960	Uphues	.....	49/219
3,243,151	A *	3/1966	Varney et al.	.....	248/74.1
3,756,671	A *	9/1973	White	.....	384/428
4,522,244	A *	6/1985	Brolin	.....	160/170
5,046,770	A	9/1991	Hansen		
D354,294	S	1/1995	Lee		
D359,292	S	6/1995	Lee		
D552,453	S *	10/2007	Cronk et al.	.....	D8/354

FIG. 10 is bottom plan view thereof;

FIG. 11 is a top plan view of a third embodiment of my new  
design;

\* cited by examiner

FIG. 12 is a left end view thereof;

FIG. 13 is a right end view thereof;

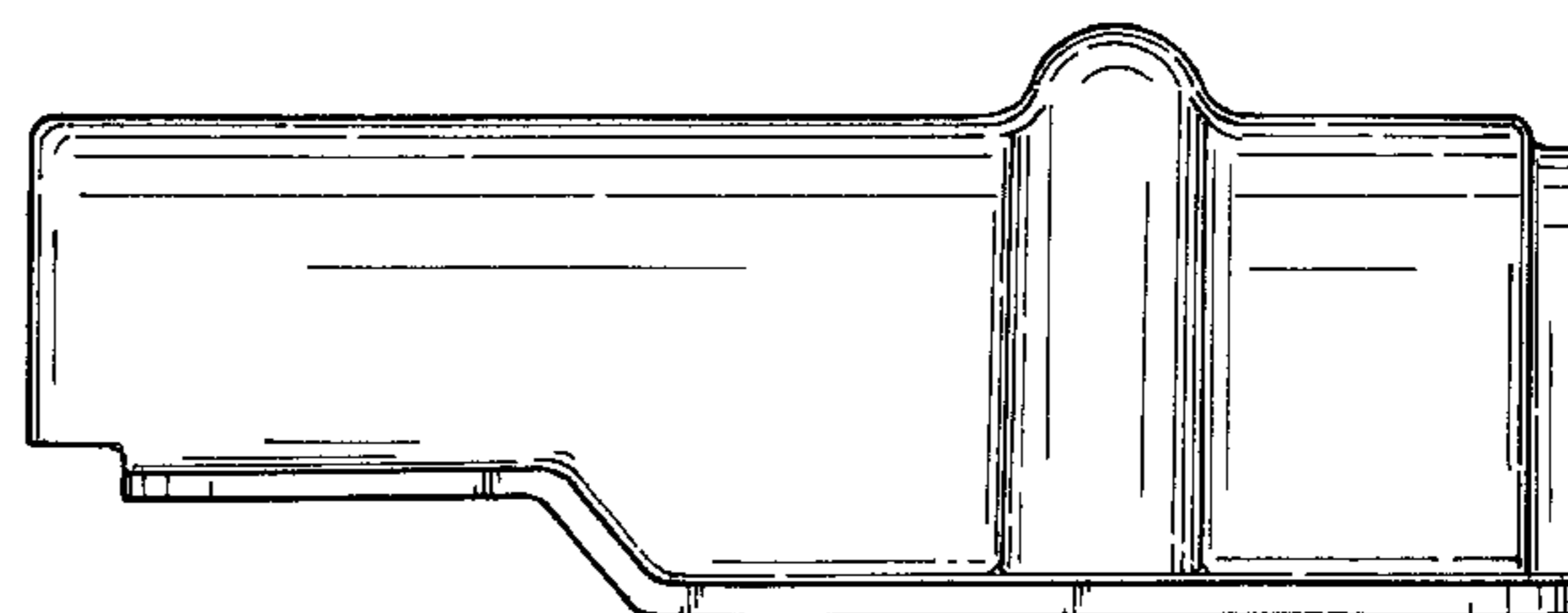
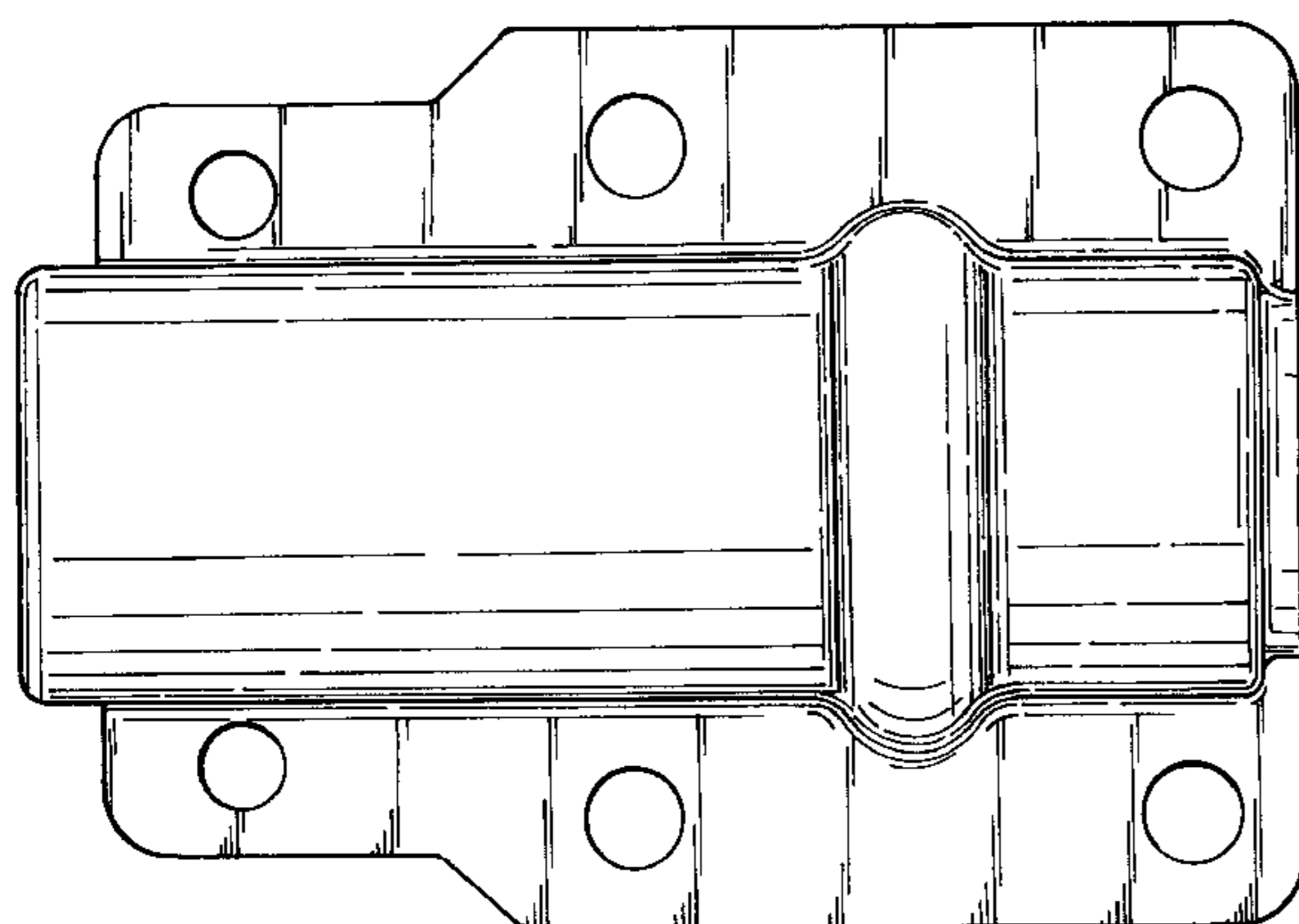
*Primary Examiner*—Mitchell Siegel

(74) *Attorney, Agent, or Firm*—John W. Harbst

FIG. 14 is a right side elevational view thereof; with the left  
side elevational view being a mirror image thereof; and,

FIG. 15 is bottom plan view thereof.

**1 Claim, 6 Drawing Sheets**



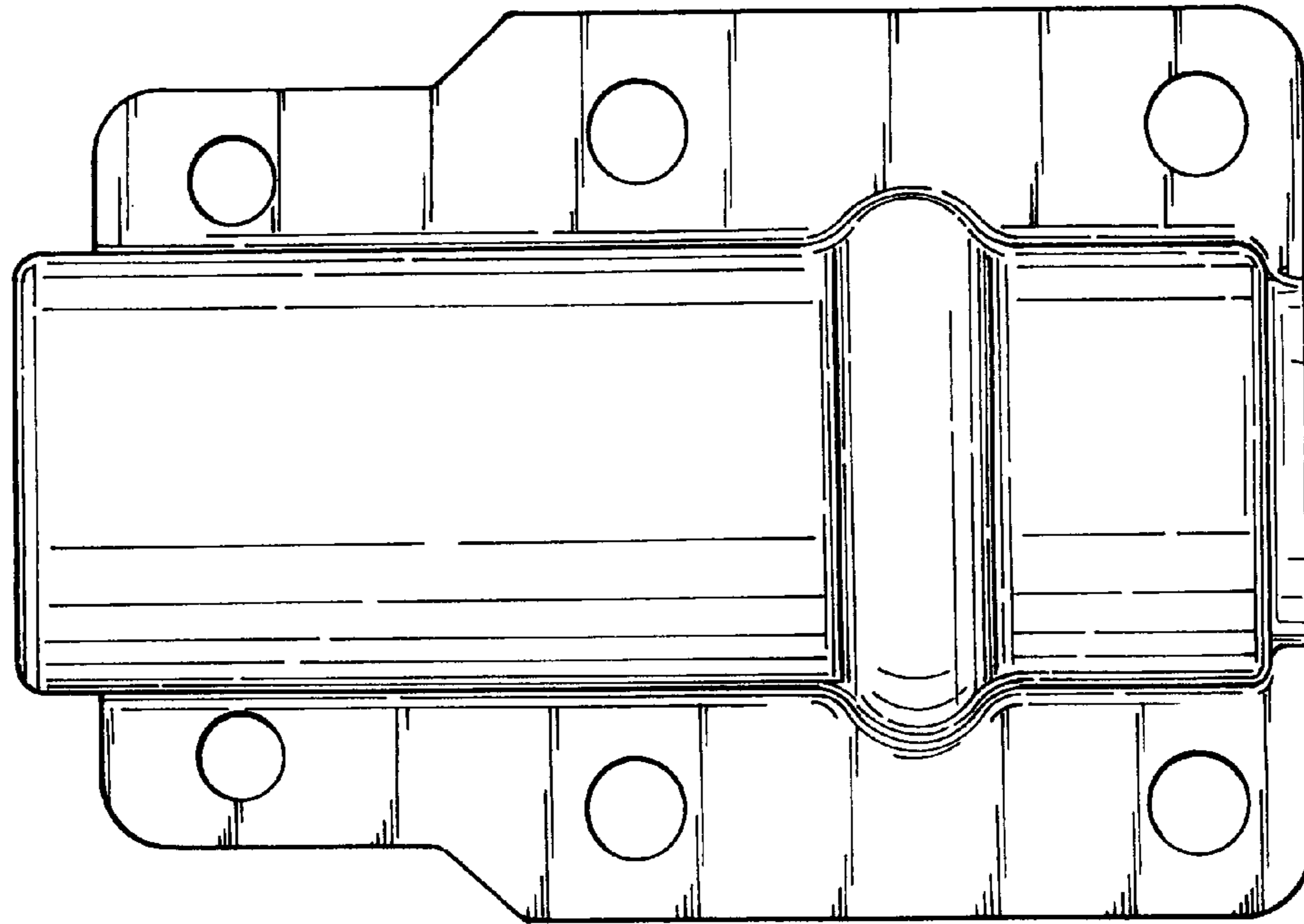


FIG. 1

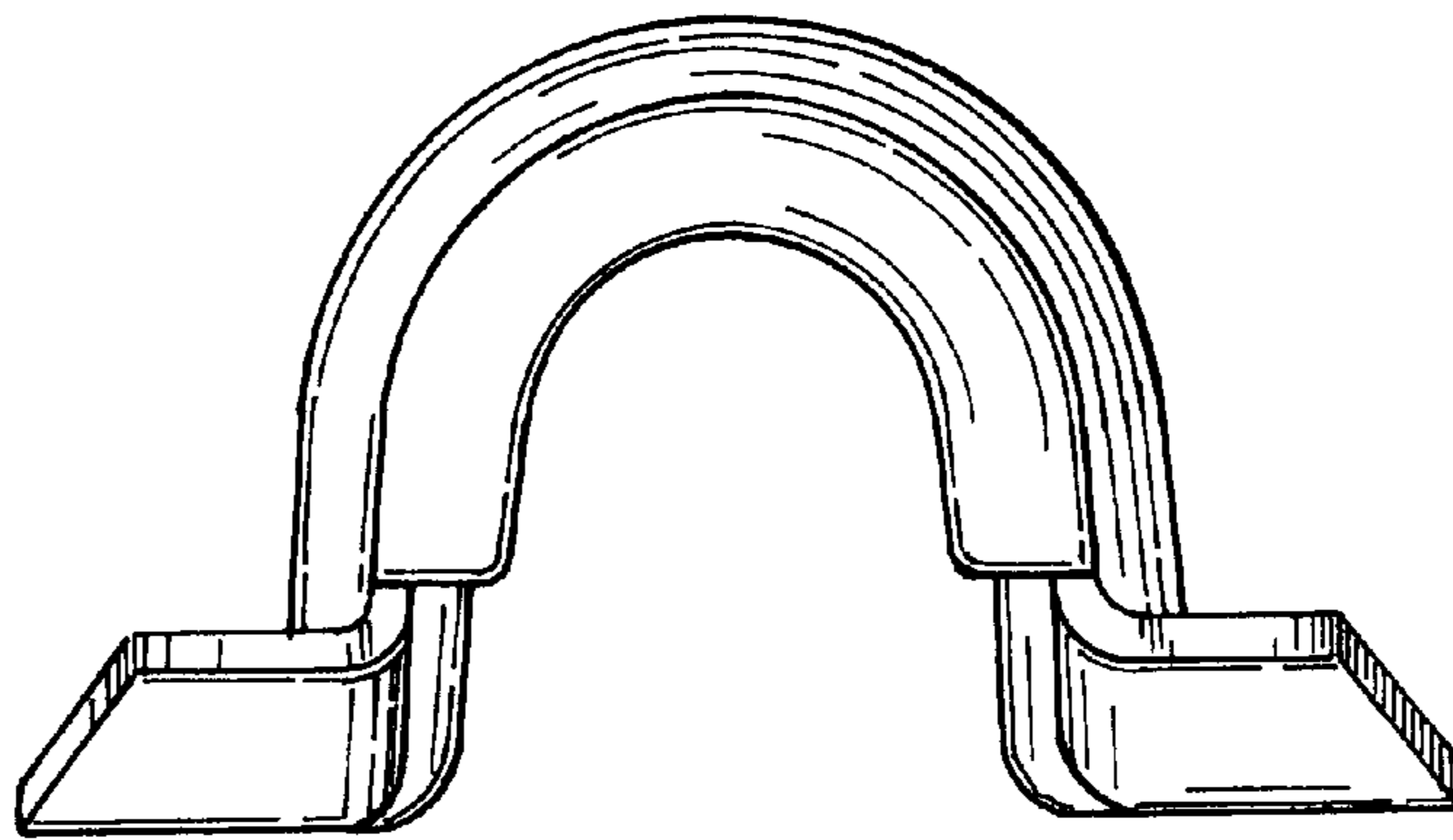


FIG. 2

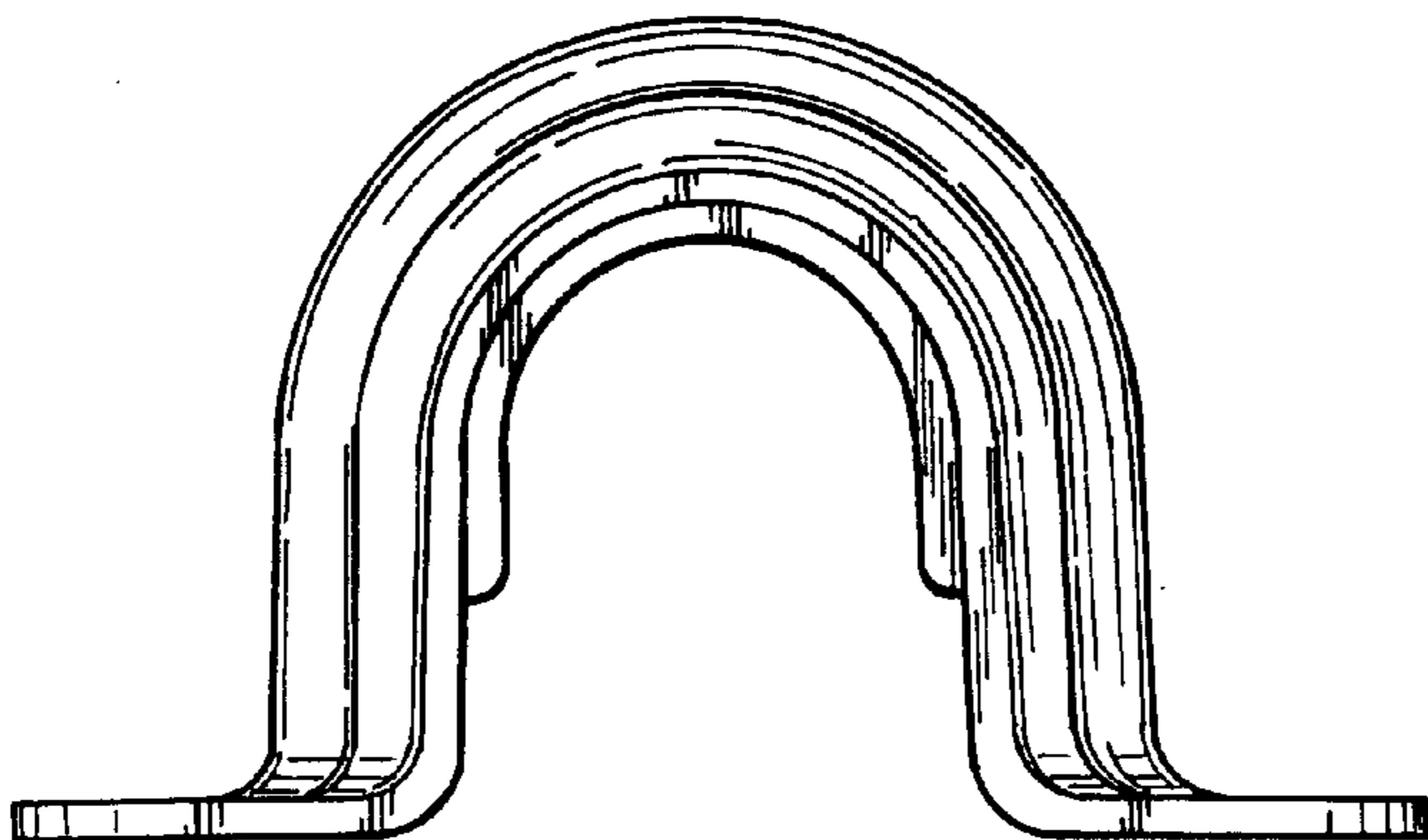


FIG. 3

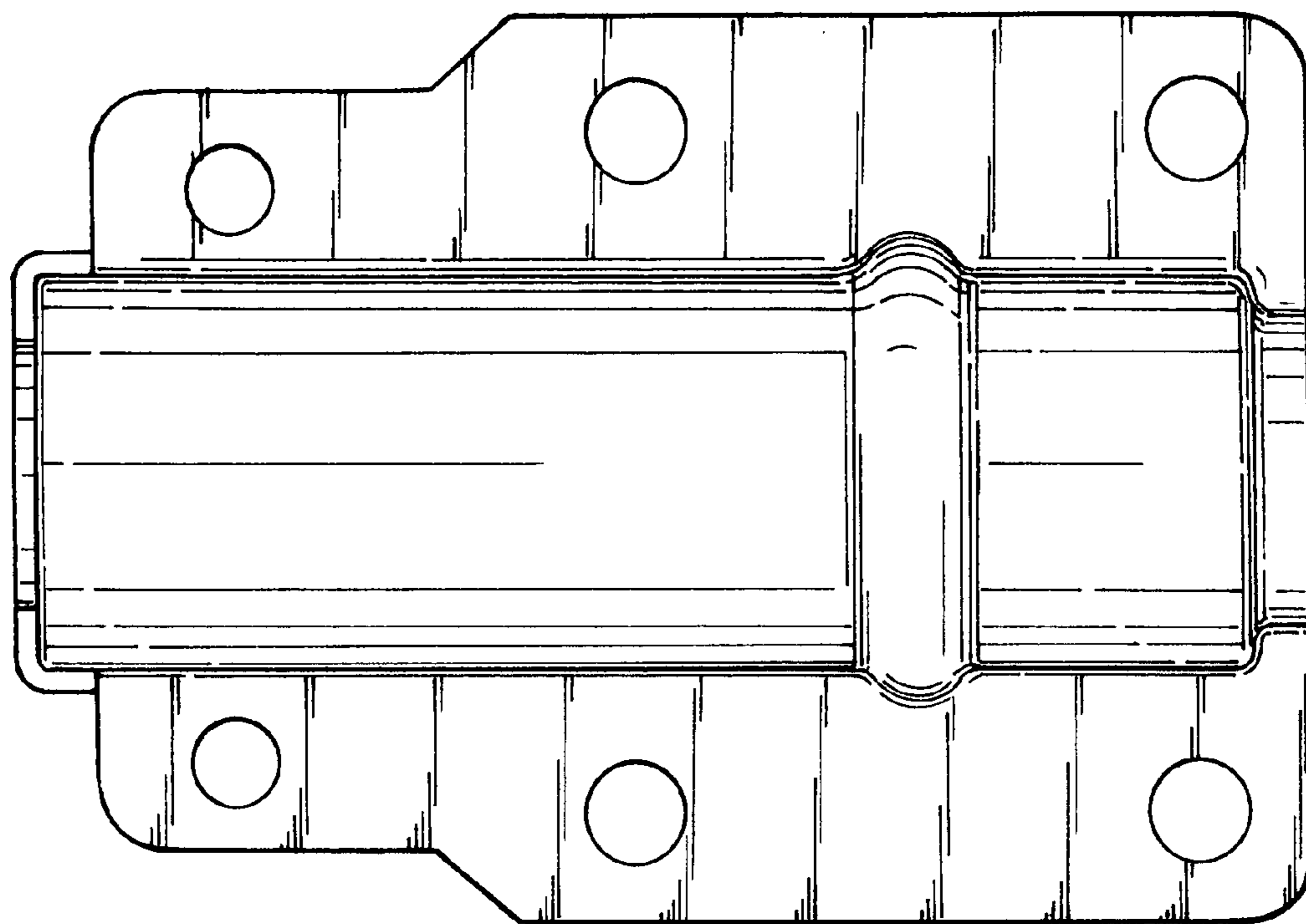


FIG. 5

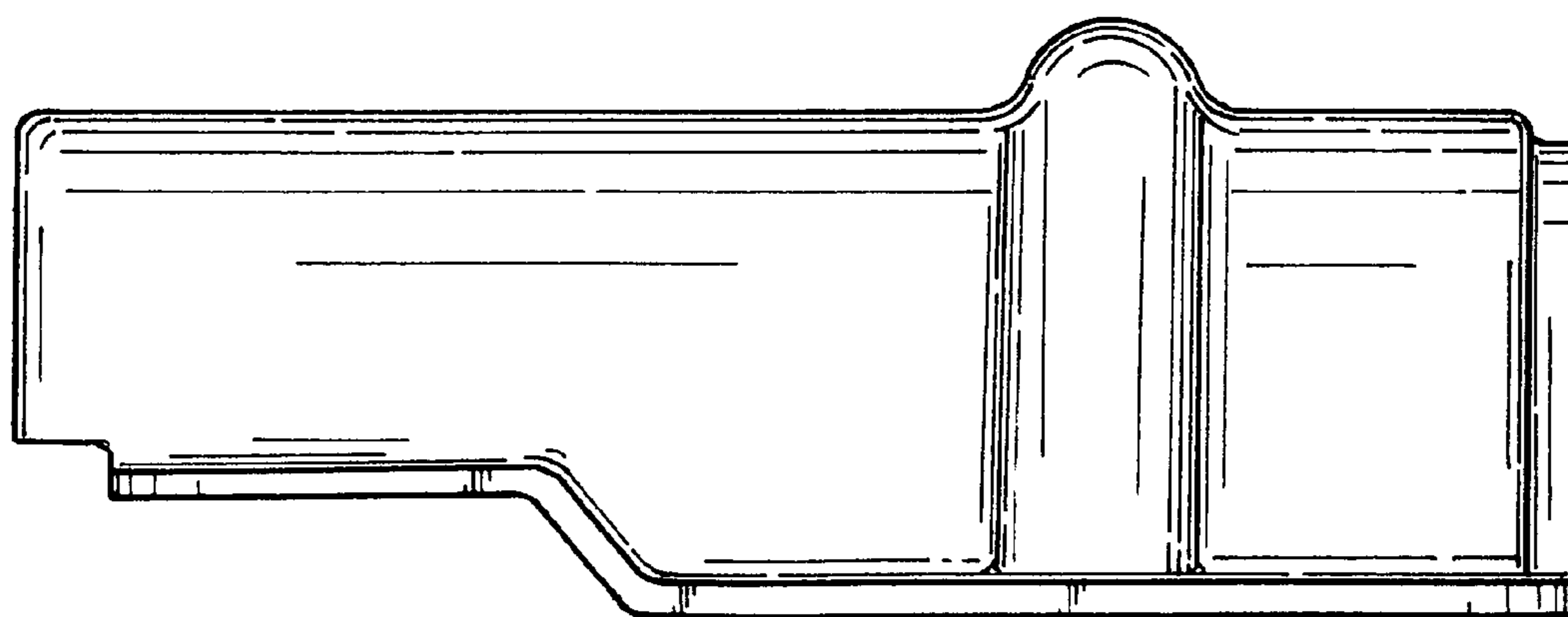


FIG. 4

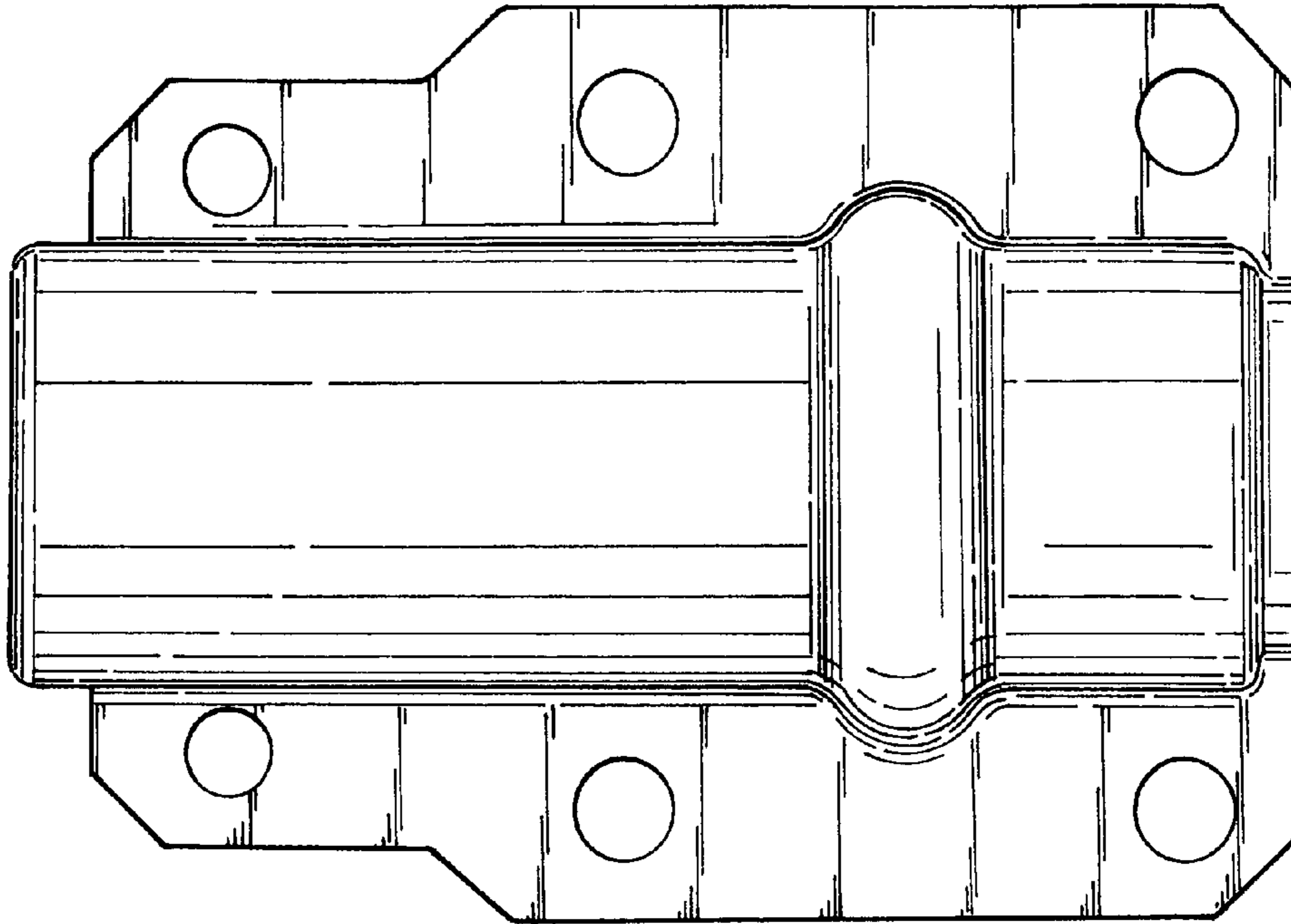


FIG. 6

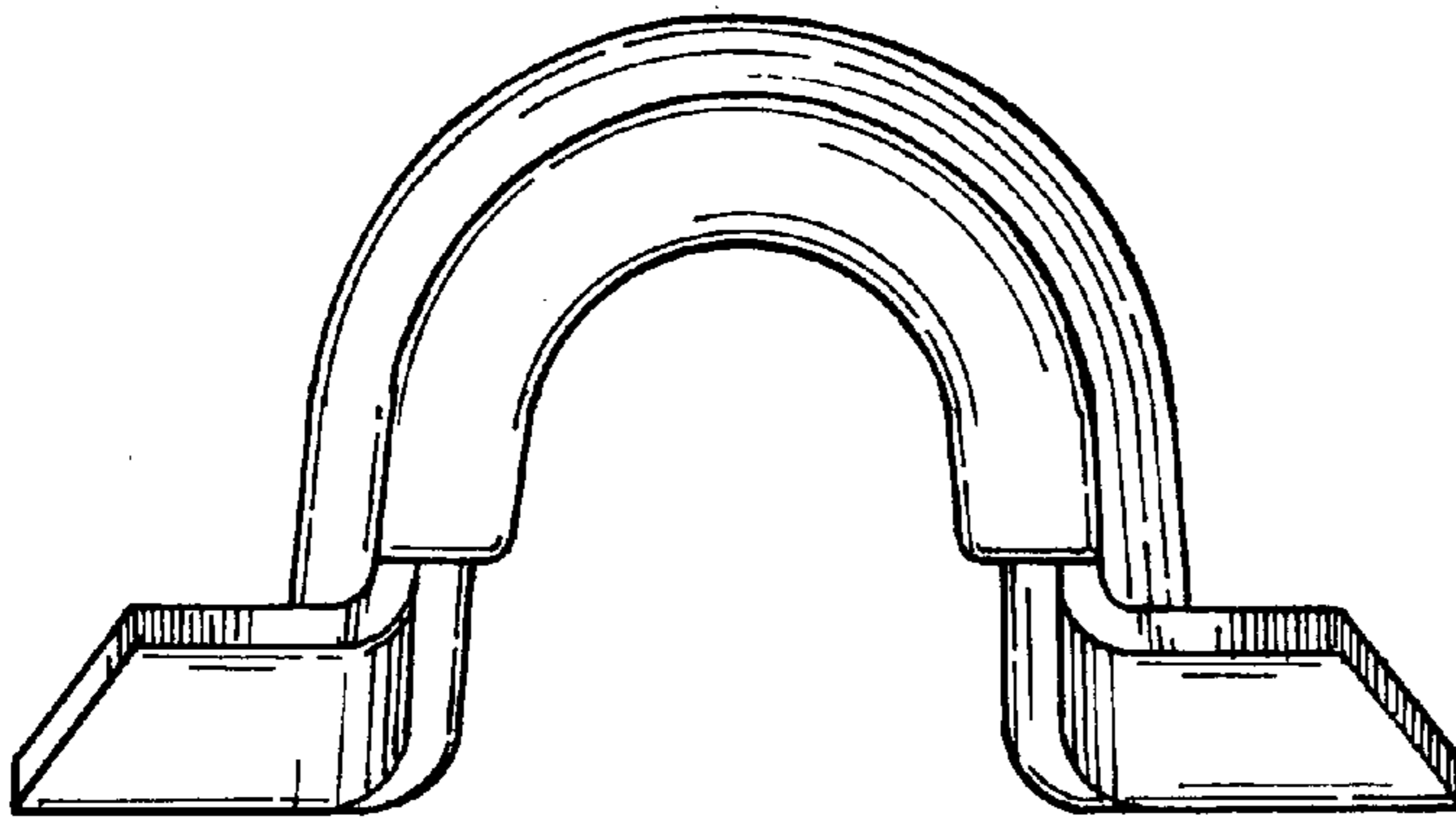


FIG. 7

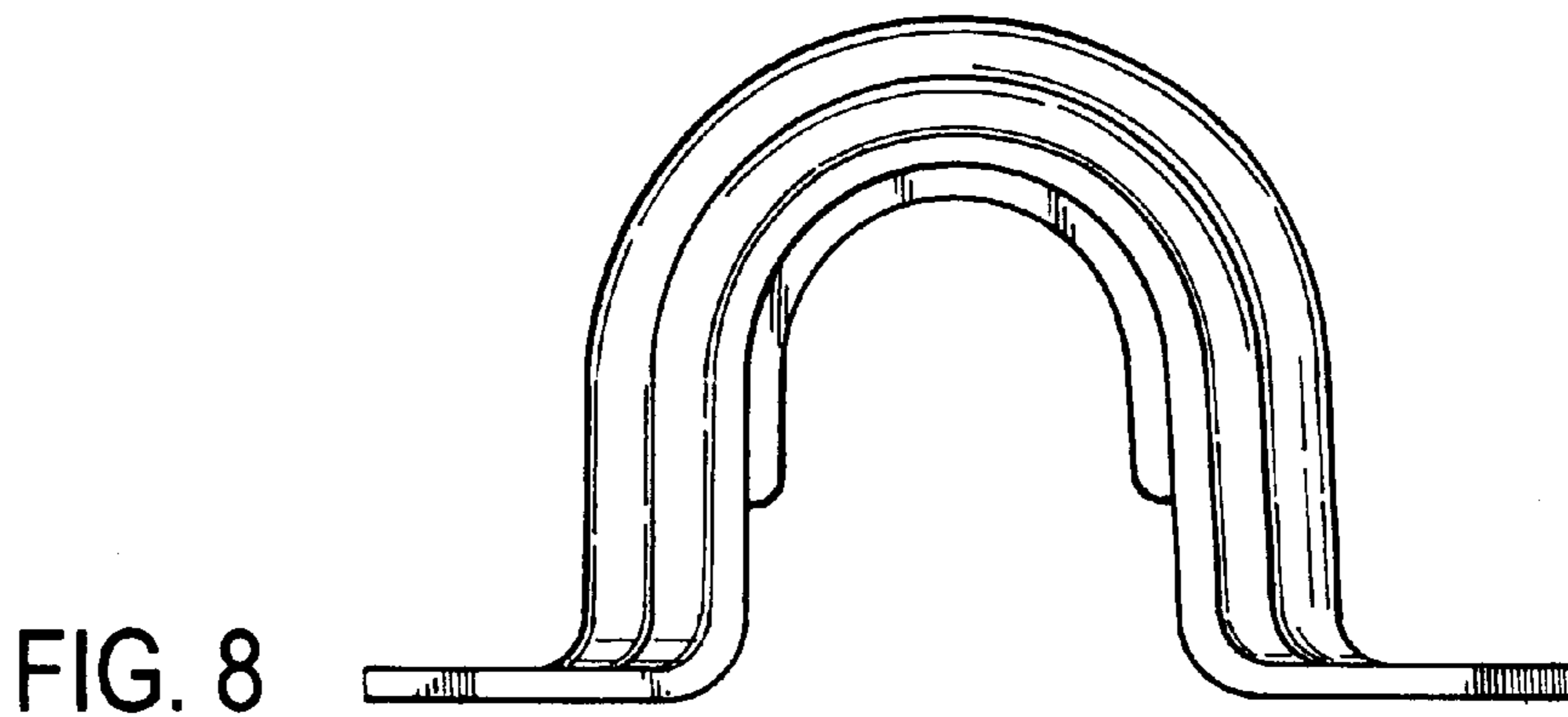


FIG. 8

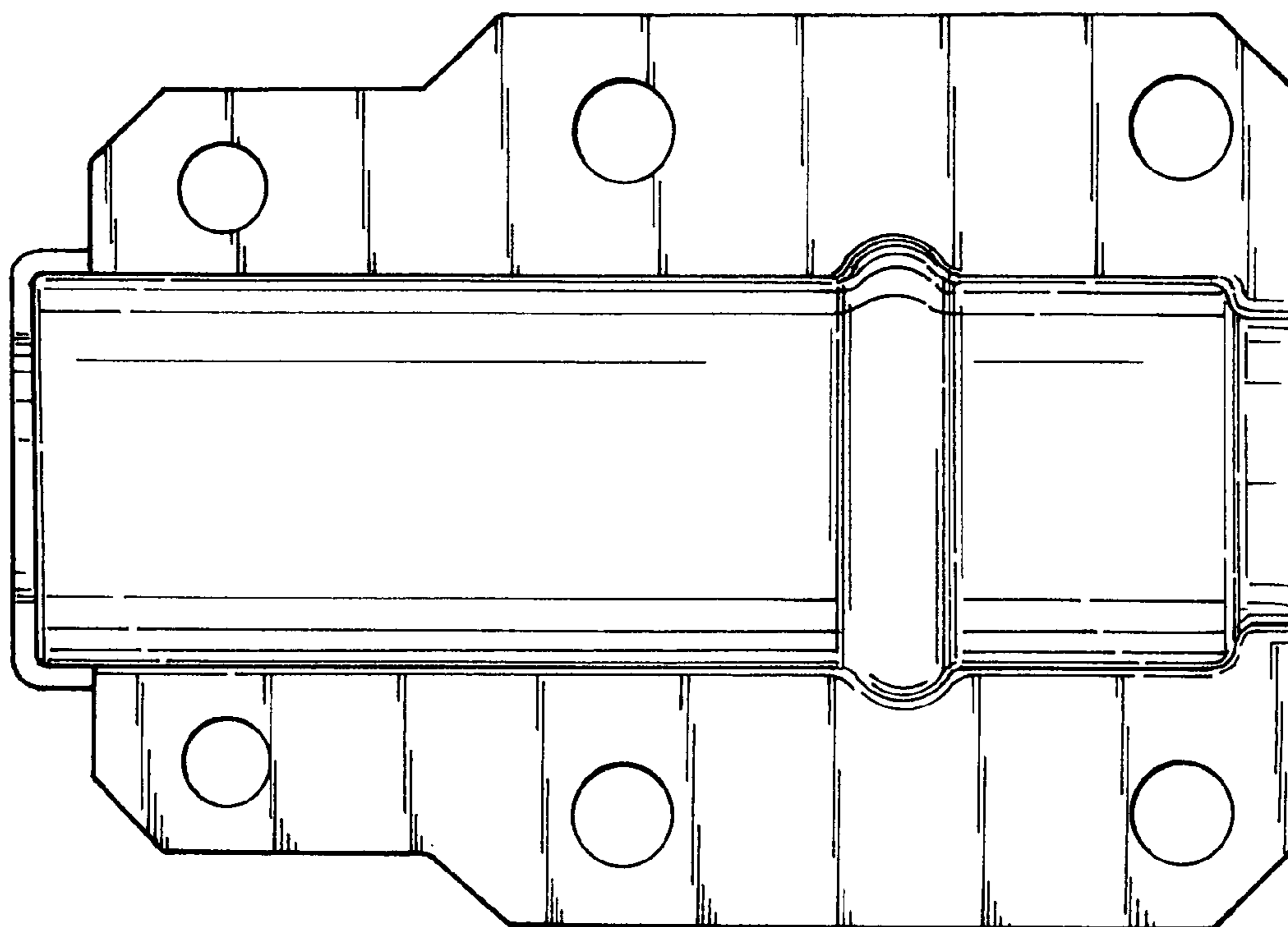


FIG. 10

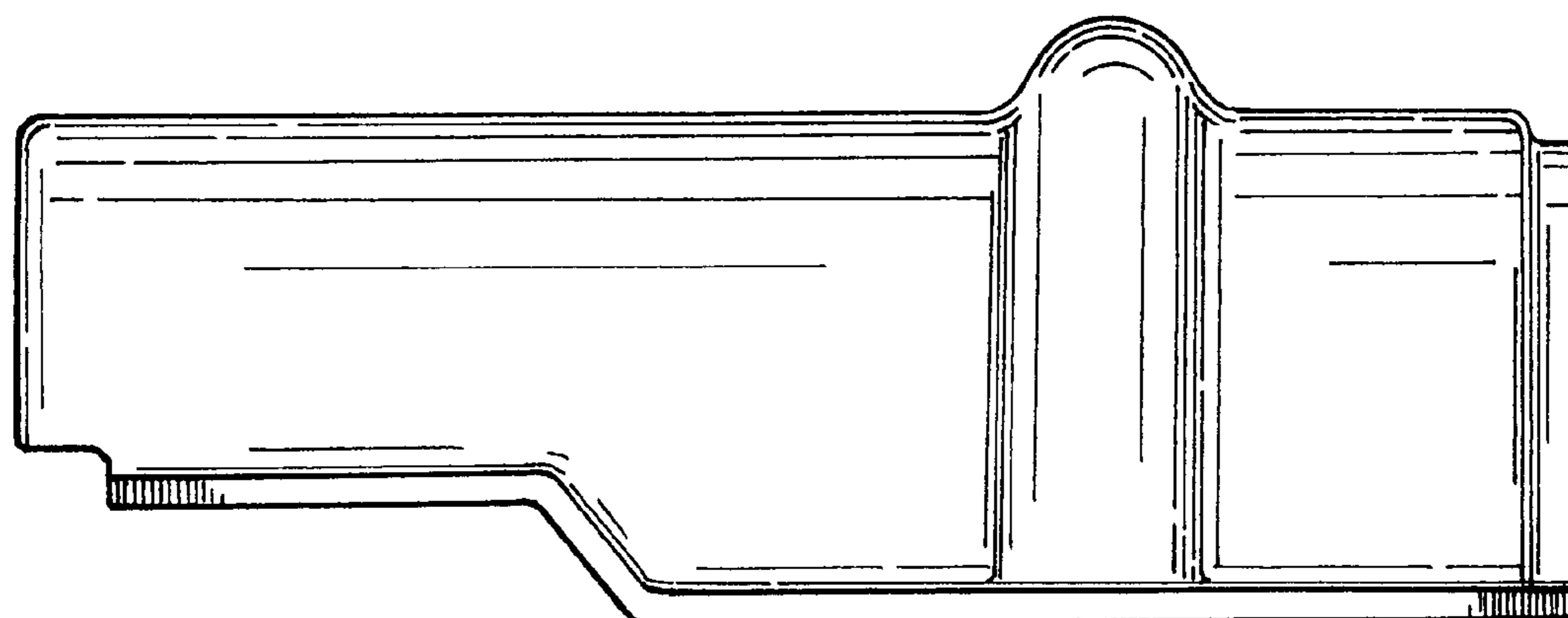


FIG. 9

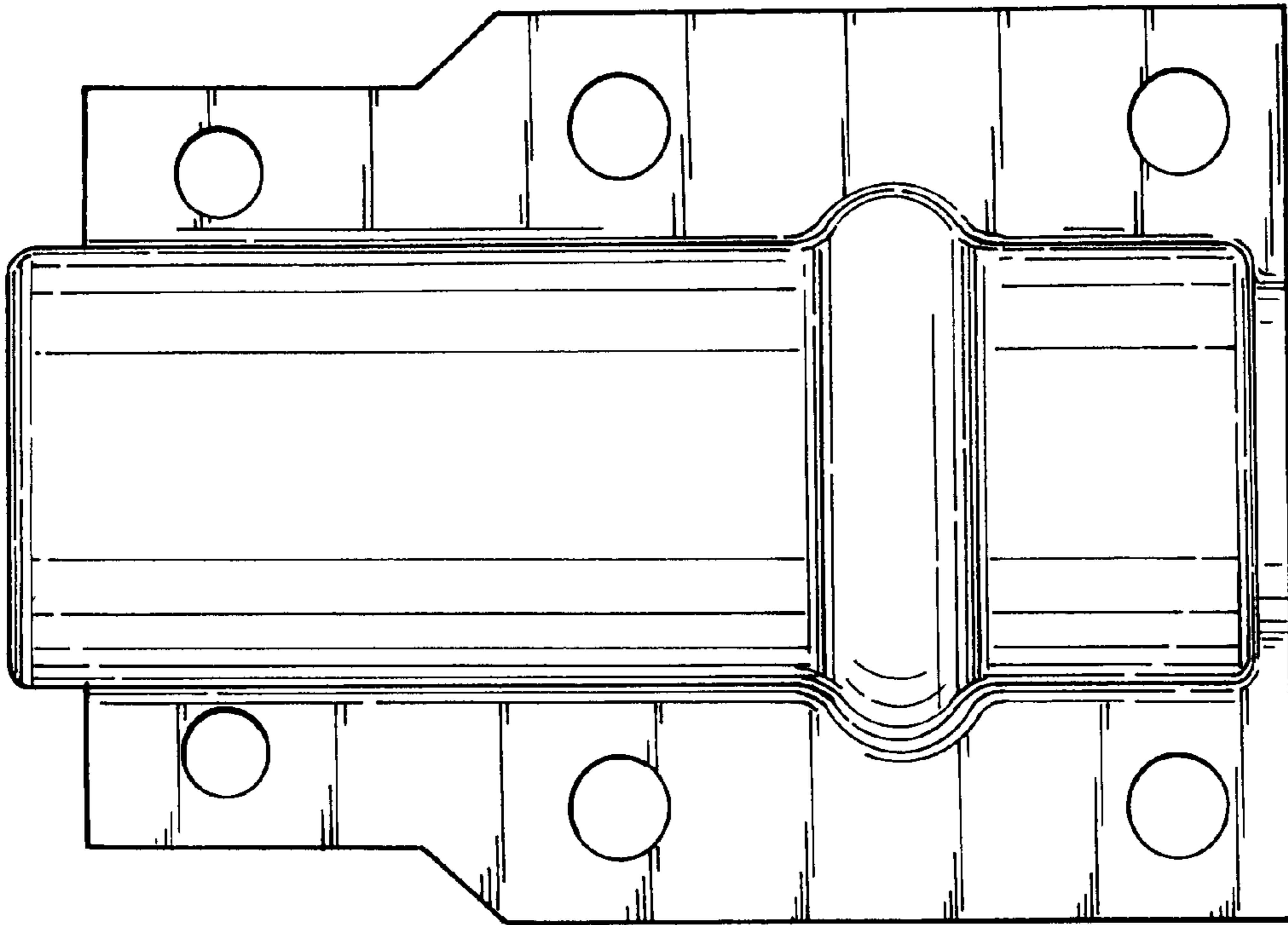


FIG. 11

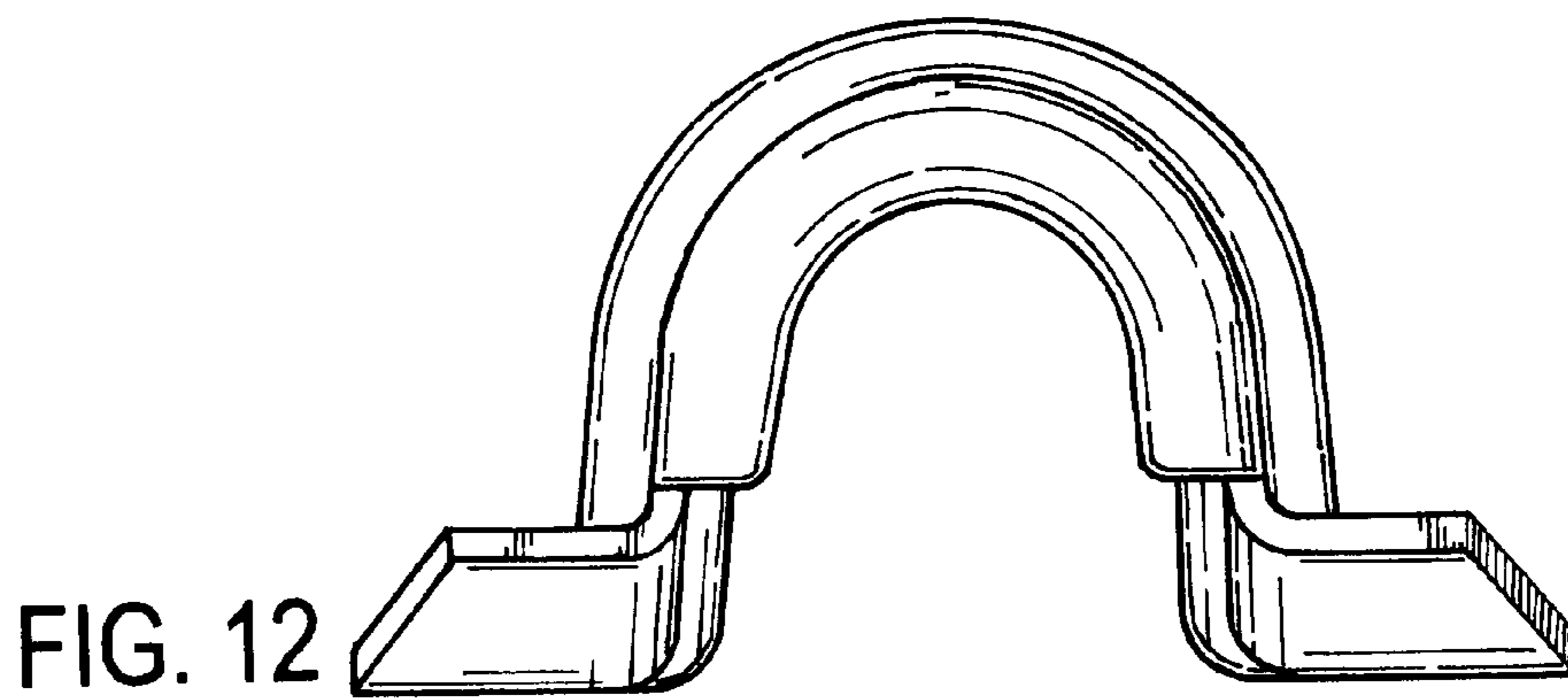


FIG. 12

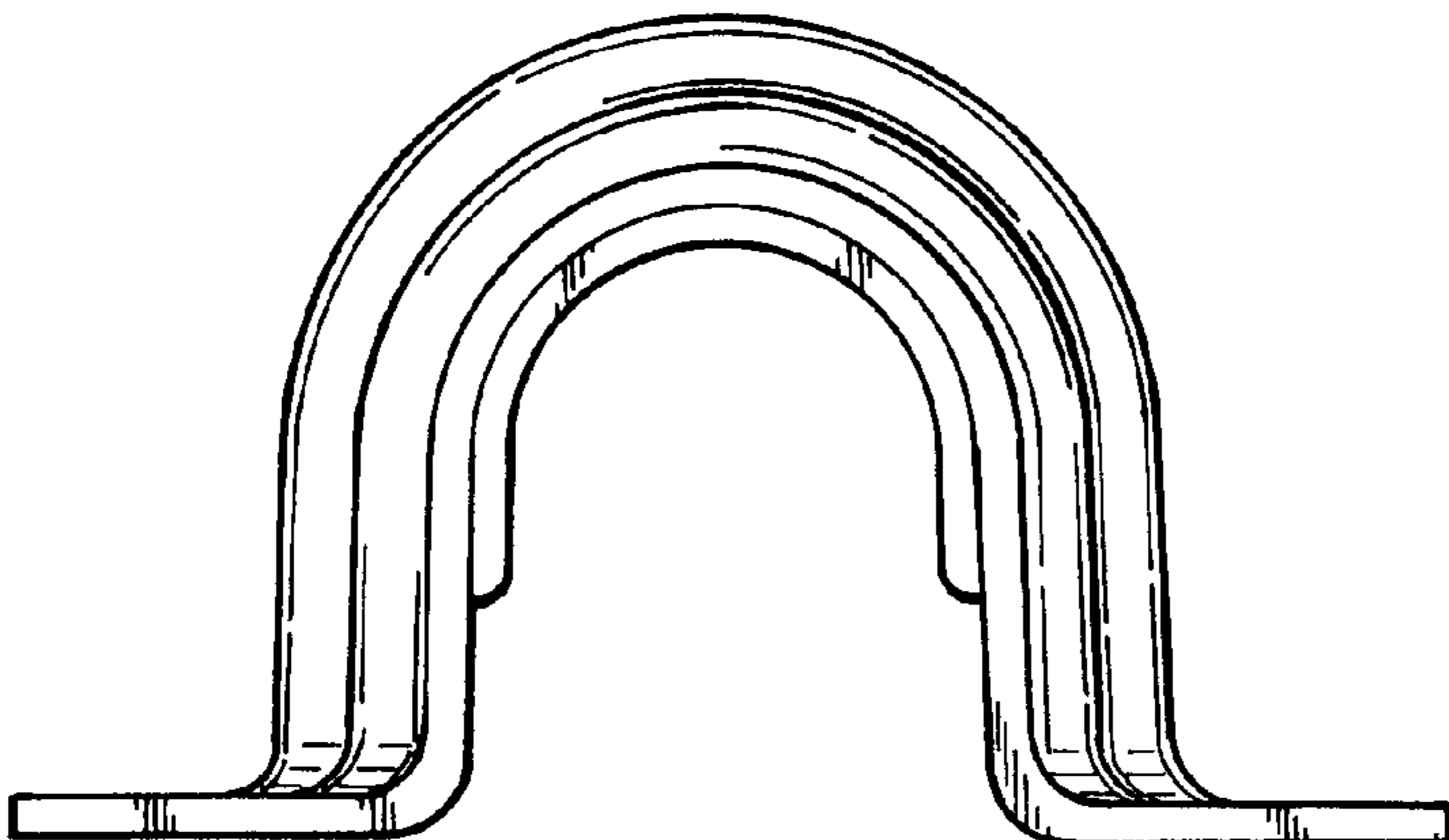


FIG. 13

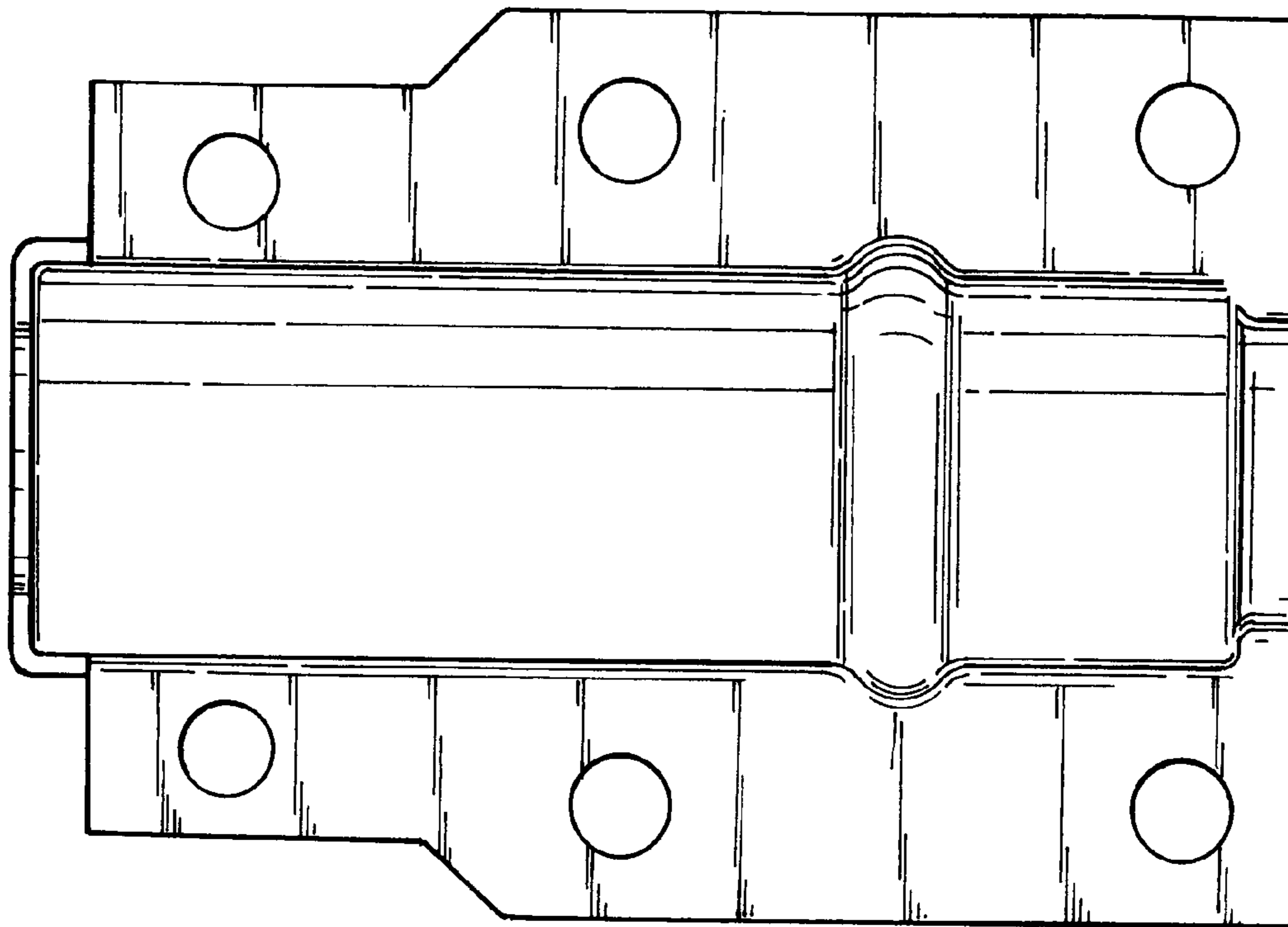


FIG. 15

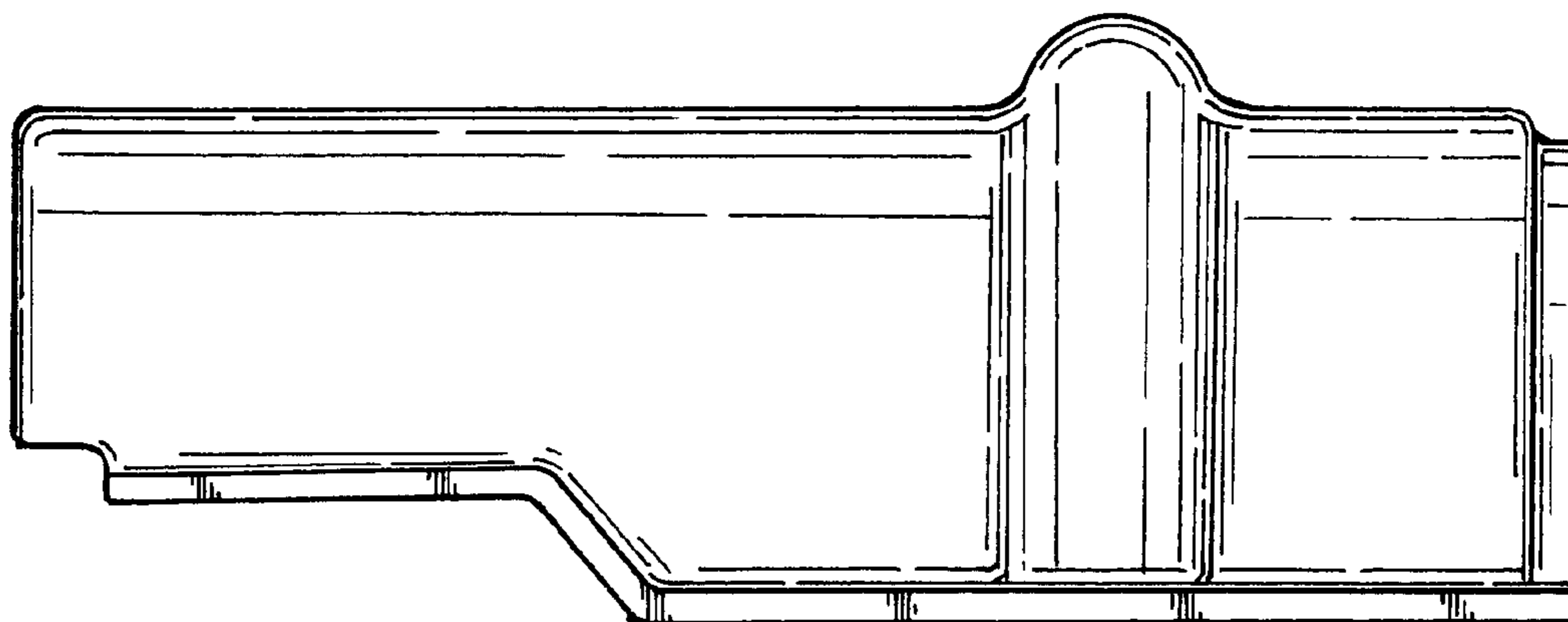


FIG. 14