



US00D567061S

(12) **United States Design Patent**
Paige et al.

(10) **Patent No.:** **US D567,061 S**

(45) **Date of Patent:** **** Apr. 22, 2008**

(54) **FRONT PORTIONS OF THE HOUSING OF A HANDLE AND HOUSING ASSEMBLY**

(75) Inventors: **Douglas J. Paige**, Lakewood, OH (US);
Lee S. Weinerman, Medina, OH (US);
Paul J. Wolos, Cleveland, OH (US)

(73) Assignee: **The Eastern Company**

(**) Term: **14 Years**

(21) Appl. No.: **29/285,395**

(22) Filed: **Mar. 28, 2007**

Related U.S. Application Data

(62) Division of application No. 29/232,715, filed on Jun. 23, 2005.

(51) **LOC (8) Cl.** **08-06**

(52) **U.S. Cl.** **D8/321; D8/300**

(58) **Field of Classification Search** D8/301-302,
D8/306-307, 321-322, 336, 337-338, 350-353,
D8/401, 313, 331, 341; 292/336.3; 70/208,
70/210; 84/95.2; 16/110.1, 445
See application file for complete search history.

(56) **References Cited**

U.S. PATENT DOCUMENTS

1,035,073 A	8/1912	Augenbraun	70/150
1,558,980 A	10/1925	Halinka	292/166
2,055,688 A	9/1936	Halinka	292/153
2,117,192 A	5/1938	McClung	292/166
D119,418 S	3/1940	Anderson et al.	D8/306
2,402,348 A	6/1946	Schroeder	292/164
2,729,089 A	1/1956	Pelcin	70/151
2,735,706 A	2/1956	Pelcin	292/34
2,991,904 A	7/1961	Carideo	220/44
D192,787 S *	5/1962	Dyer	D8/313
3,333,878 A	8/1967	Pelcin	292/37
3,389,932 A	6/1968	Pastva, Jr.	292/173

3,457,744 A	7/1969	Bisbing	70/82
D230,132 S *	1/1974	Pastva	D8/341
D230,945 S *	3/1974	Beckman	D8/341
3,953,061 A	4/1976	Hansen et al.	292/5
4,370,874 A	2/1983	Munn	70/204
4,641,865 A	2/1987	Pastva	292/5
4,706,478 A	11/1987	Swan et al.	70/208
4,714,283 A	12/1987	Dignan	292/48

(Continued)

Primary Examiner—Paula A. Greene

(74) *Attorney, Agent, or Firm*—David A. Burge

(57) **CLAIM**

We claim the ornamental design for front portions of the housing of a handle and housing assembly, as shown and described.

DESCRIPTION

FIG. 1 is a perspective view showing mainly front, left and large rounded end features of our new design;

FIG. 2 is a front view thereof;

FIG. 3 is a left side view thereof, it being understood that a right side view is identical hereto but a mirror image reversal hereof;

FIG. 4 is a large rounded end view thereof;

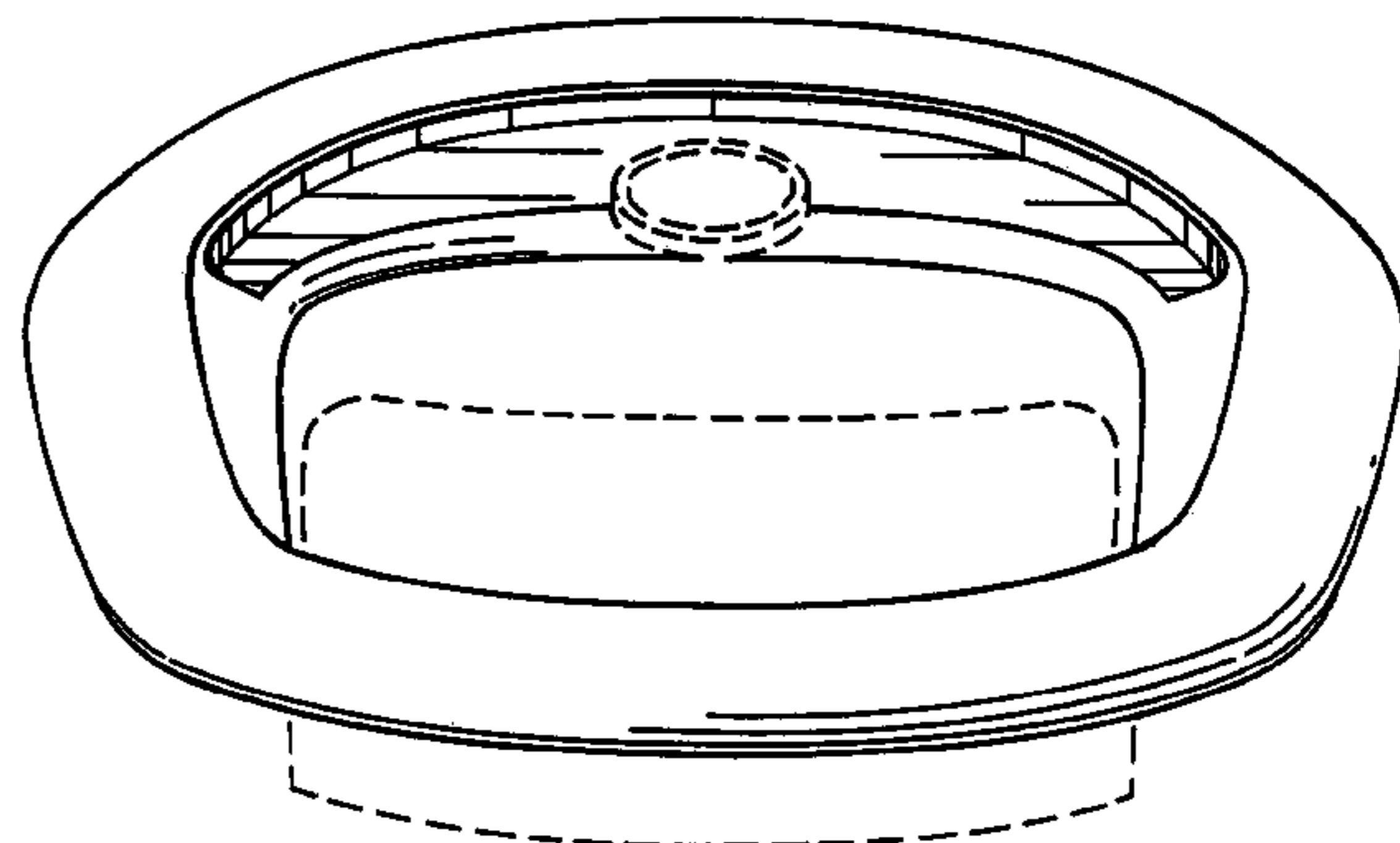
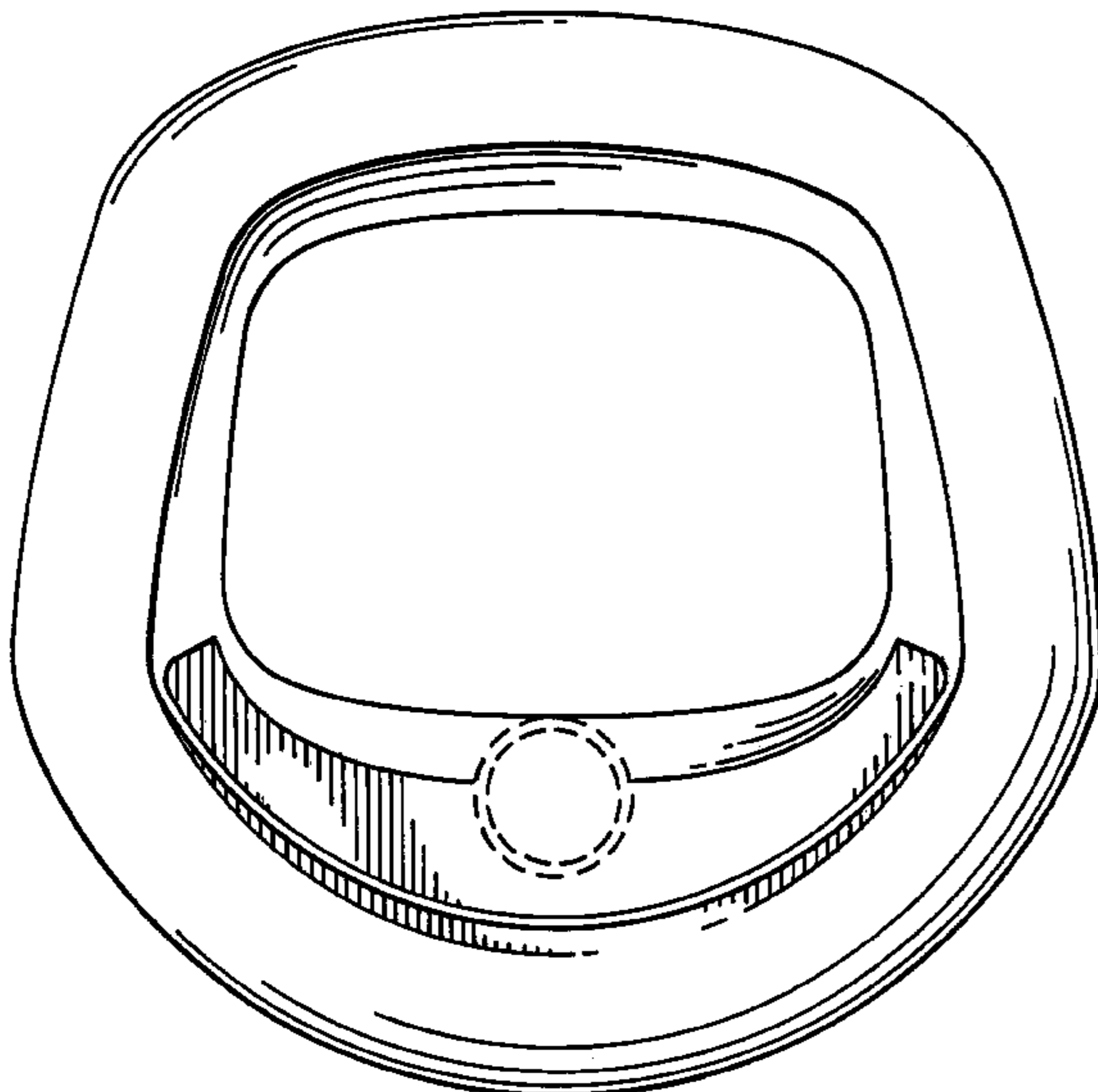
FIG. 5 is an opposite end view thereof; and,

FIG. 6 is a perspective view thereof looking into the interior of the smaller end thereof so shallow end region features thereof can be more clearly seen.

The broken line disclosure in several of the views of other features is provided for illustrative purposes only and forms no part of the claimed design.

The broken lines are included for the purpose of illustration and form no part of the claimed design.

1 Claim, 4 Drawing Sheets



US D567,061 S

U.S. PATENT DOCUMENTS

4,838,054 A	6/1989	Weinerman et al.	70/208	D459,192 S	6/2002	Weinerman et al.	D8/338
4,892,338 A	1/1990	Weinerman et al.	292/35	D459,973 S *	7/2002	Weinerman et al.	D8/353
D316,365 S	4/1991	Hansen et al.	D8/331	6,418,761 B1	7/2002	Wytcherley et al.	70/208
5,015,019 A	5/1991	Razdolsky	292/200	6,460,902 B1	10/2002	Kyle	292/165
5,018,373 A	5/1991	Weinerman et al.	70/99	6,490,895 B1	12/2002	Weinerman et al.	70/208
D317,398 S	6/1991	Hansen et al.	D8/336	D469,331 S	1/2003	Hansen	D8/306
D318,606 S	7/1991	Weinerman et al.	D8/331	D469,678 S	2/2003	Teskey	D8/301
5,052,869 A	10/1991	Hansen, II	410/111	6,513,353 B1	2/2003	Weinerman et al.	70/208
D323,776 S	2/1992	Hansen	D8/338	6,530,250 B1	3/2003	Linares et al.	70/208
D323,970 S	2/1992	Schlack	D8/341	6,532,778 B2	3/2003	Molzer et al.	70/208
D324,636 S	3/1992	Schlack et al.	D8/331	D475,602 S	6/2003	McCloskey	D8/331
D328,231 S	7/1992	Hansen	D8/301	6,623,052 B2	9/2003	Hansen	292/336.3
5,127,686 A	7/1992	Gleason et al.	292/216	D484,024 S	12/2003	Teskey et al.	D8/331
D357,396 S	4/1995	Ziemer et al.	D8/331	D484,025 S	12/2003	Chen	D8/331
5,409,272 A	4/1995	McCormack	292/66	6,666,053 B2	12/2003	Sadler	70/210
D364,329 S	11/1995	Ziemer et al.	D8/331	6,668,602 B2	12/2003	Graham et al.	70/208
D370,620 S	6/1996	Ziemer	D8/341	6,709,030 B2	3/2004	Furlong	292/121
5,526,660 A	6/1996	Bennett et al.	70/208	D488,994 S	4/2004	Hansen	D8/350
5,585,578 A	12/1996	Shimotori	84/95.2	D489,958 S	5/2004	Jackson et al.	D8/331
5,595,076 A	1/1997	Weinerman et al.	70/208	D489,959 S	5/2004	Jackson et al.	D8/331
D389,393 S	1/1998	Hansen	D8/310	D490,292 S	5/2004	Hansen	D8/352
5,913,908 A	6/1999	Czipri	70/208	D497,098 S *	10/2004	Magnusson	D8/331
D413,056 S	8/1999	Sokurenko et al.	D8/331	D501,393 S *	2/2005	Hansen	D8/321
5,938,248 A	8/1999	Vickers et al.	292/36	D506,120 S	6/2005	Straka, Jr. et al.	D8/331
5,984,383 A	11/1999	Parikh et al.	292/121	6,952,940 B2	10/2005	Molzer et al.	70/210
D427,882 S	7/2000	Wytcherley et al.	D8/331	D519,823 S	5/2006	Pickar et al.	D8/331
D429,141 S	8/2000	Antonucci et al.	D8/331	D523,726 S	6/2006	Weinerman et al.	D8/307
6,109,669 A	8/2000	Pinkow	292/175	D531,484 S *	11/2006	Downing	D8/331
D439,500 S *	3/2001	Mirick	D8/352	D546,165 S *	7/2007	Paige et al.	D8/338
D442,844 S	5/2001	Mirick	D8/301	2004/0083780 A1	5/2004	Graham et al.	70/208
D456,237 S	4/2002	Sokurenko et al.	D8/307	2005/0257582 A1	11/2005	Minix	70/208
D457,803 S	5/2002	Weinerman et al.	D8/338	2006/0185408 A1	8/2006	Graham et al.	70/208

* cited by examiner

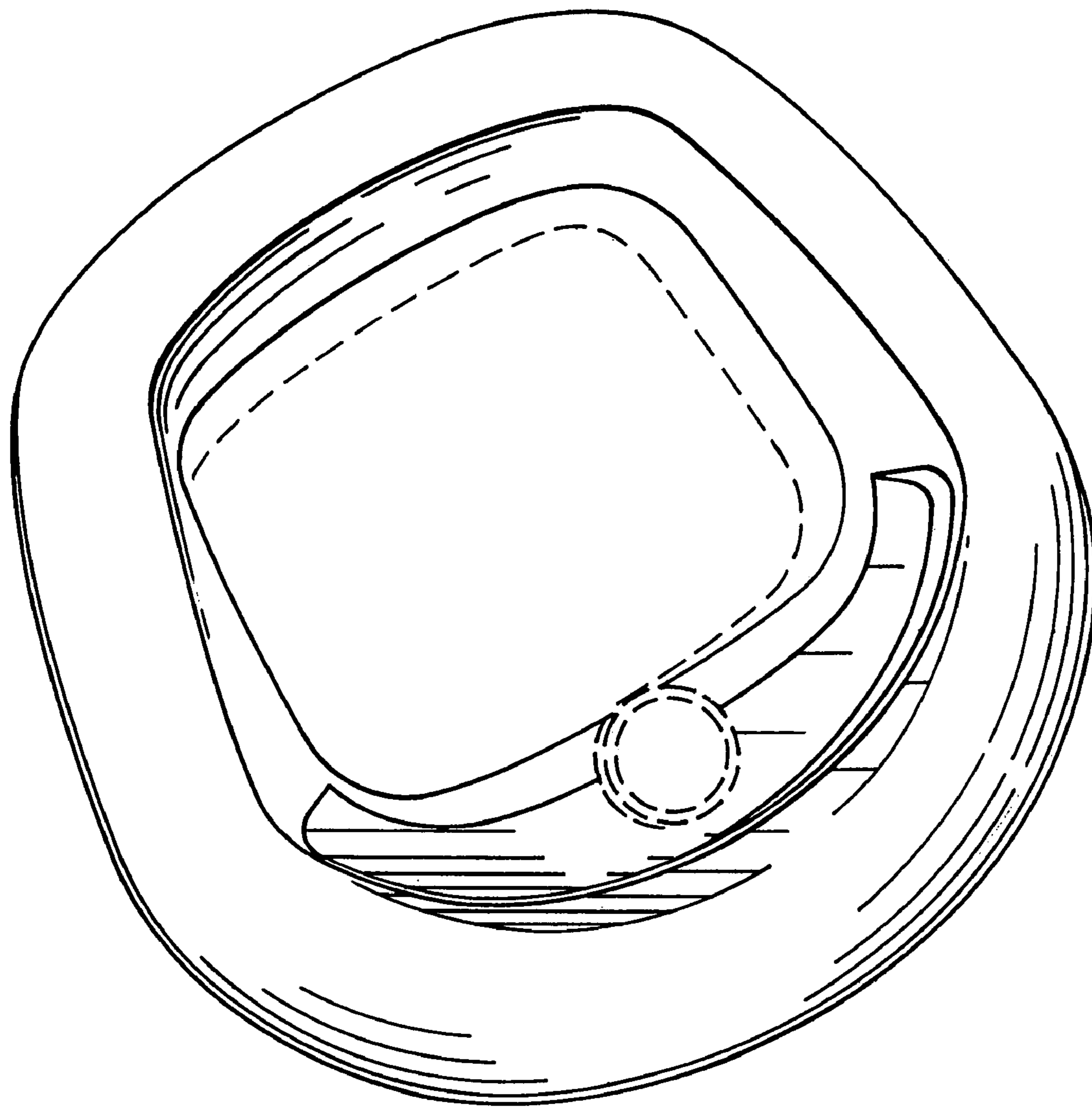


FIG. 1

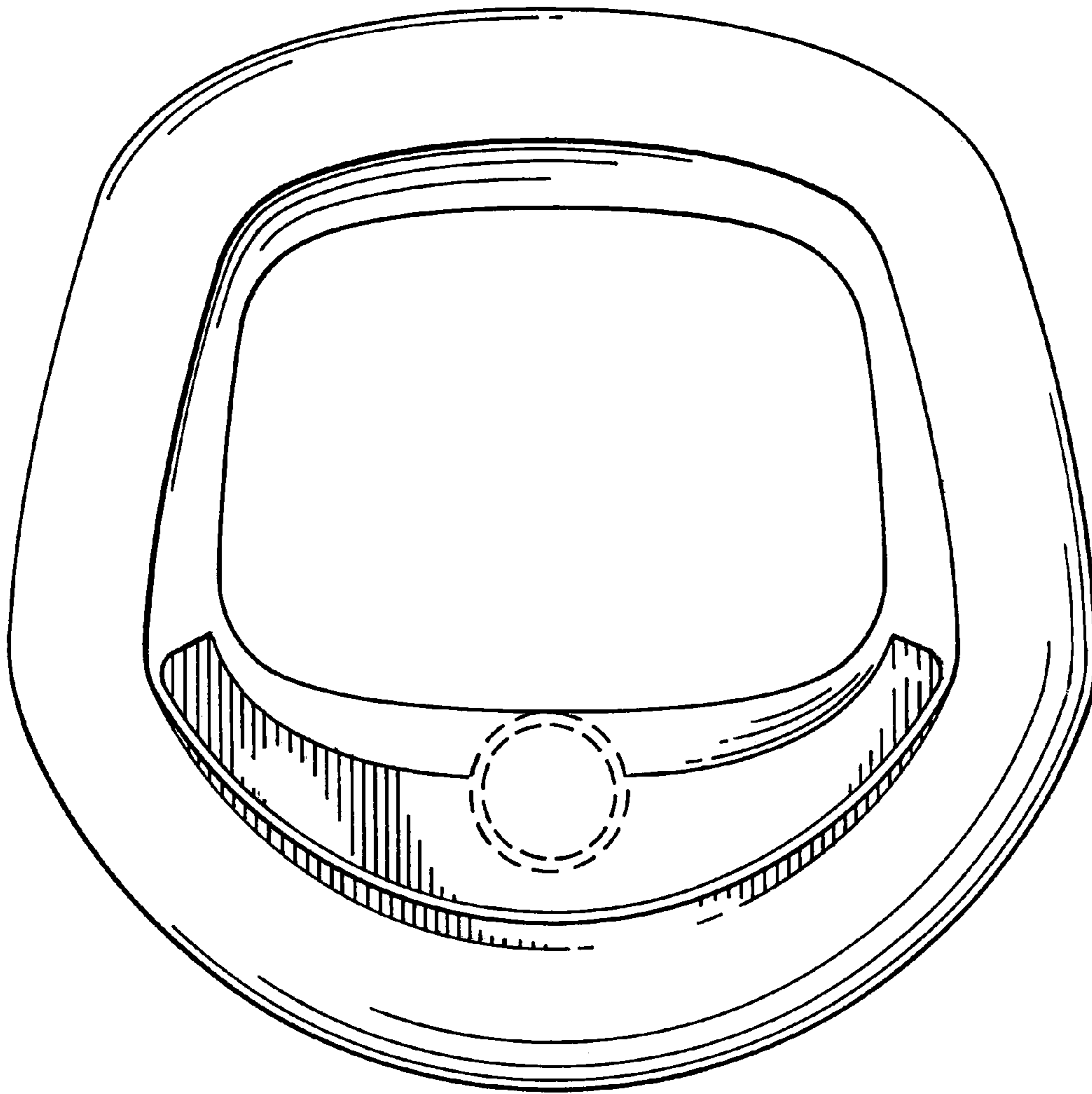


FIG. 2

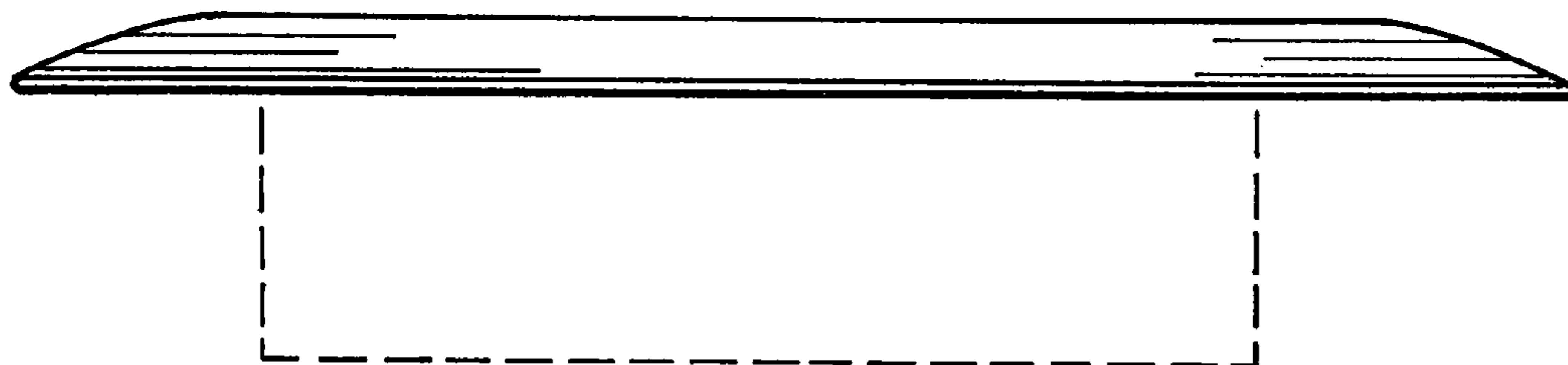


FIG. 3

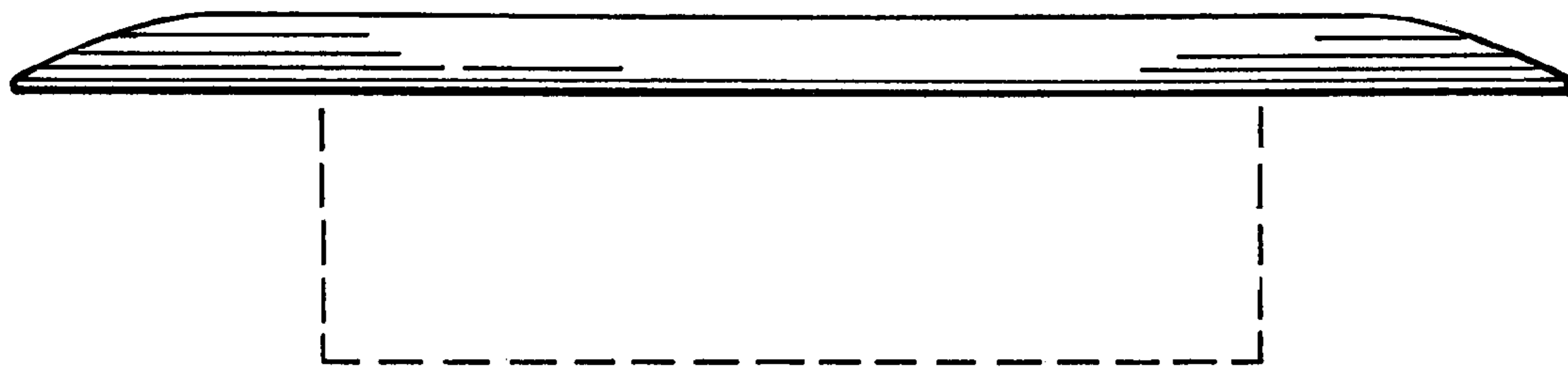


FIG. 4

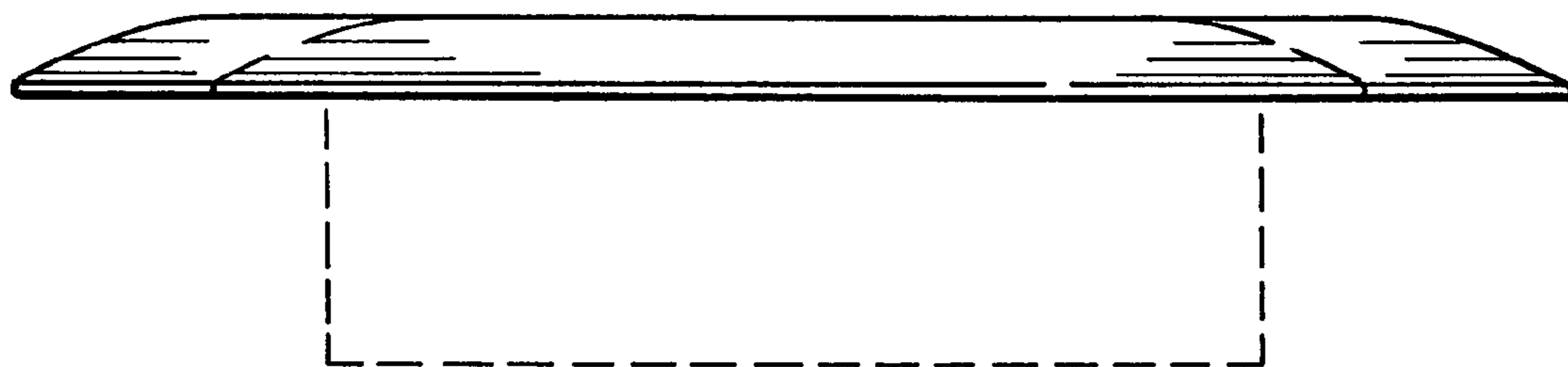


FIG. 5

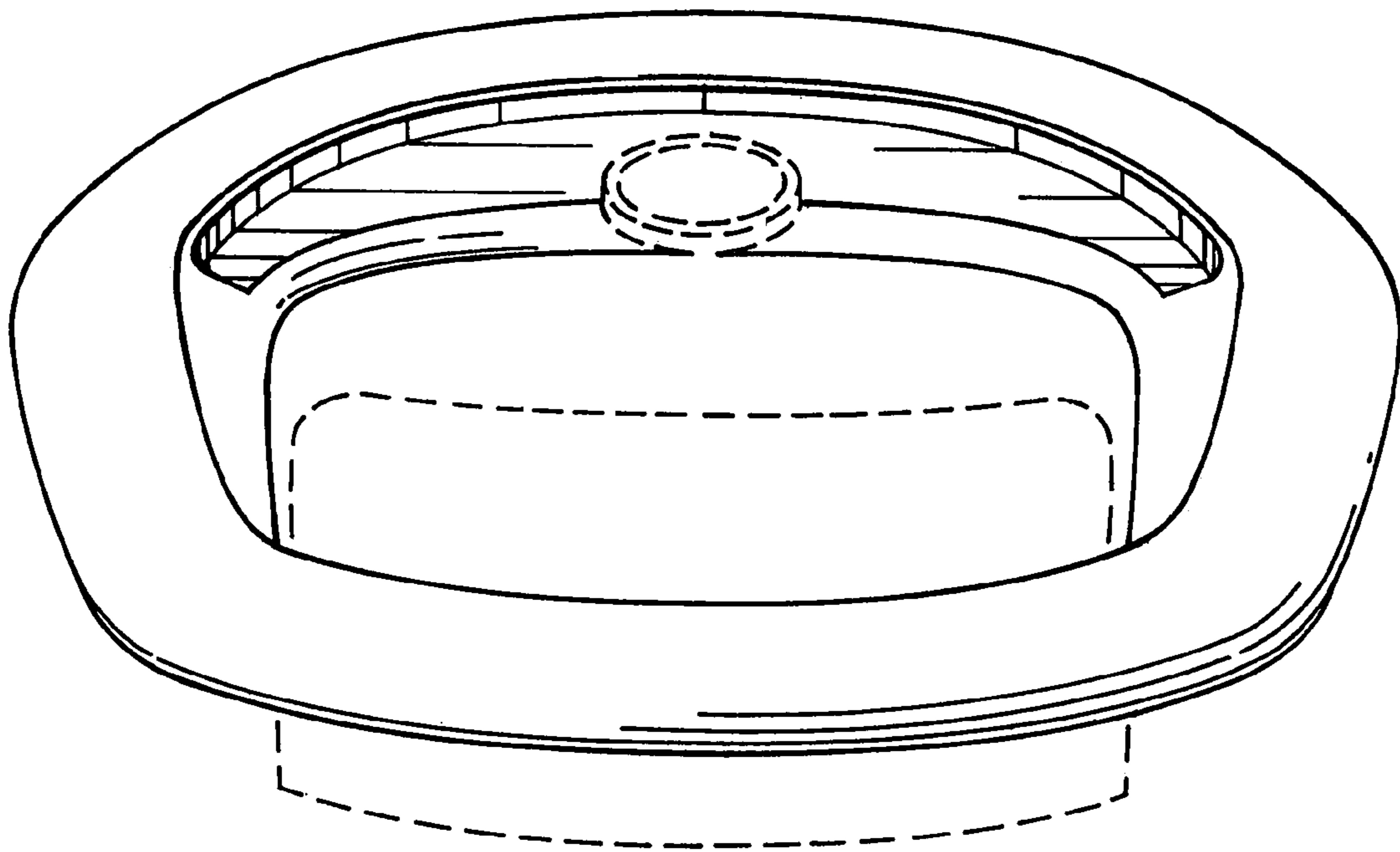


FIG. 6