



US00D567059S

(12) **United States Design Patent**
Harden et al.

(10) **Patent No.:** **US D567,059 S**

(45) **Date of Patent:** **** Apr. 22, 2008**

(54) **TOILET SEAT LIFTING HANDLE**

(76) Inventors: **Terry L. Harden**, 985 Swinging Bridge Rd., Martinsburg, WV (US) 25401;
Lucinda S. Harden, 985 Swinging Bridge Rd., Martinsburg, WV (US) 25401

(**) Term: **14 Years**

(21) Appl. No.: **29/277,696**

(22) Filed: **Mar. 7, 2007**

(51) **LOC (8) Cl.** **08-06**

(52) **U.S. Cl.** **D8/307**

(58) **Field of Classification Search** D8/307,
D8/DIG. 1, DIG. 10; D23/270, 303, 309,
D23/310, 311, 312; 4/227.3, 227.4, 227.5,
4/234-245.9, 246.1; 16/29, 200, 209
See application file for complete search history.

(56) **References Cited**

U.S. PATENT DOCUMENTS

1,970,409	A *	8/1934	Wiedemann	81/30
1,999,555	A *	4/1935	Adams	4/246.1
4,035,865	A *	7/1977	McRae et al.	16/426
4,129,907	A	12/1978	Vaughan et al.		
4,512,046	A *	4/1985	Riggle	4/661
4,519,105	A *	5/1985	Blanck	4/246.1
D295,604	S *	5/1988	Purdy	D8/307
4,875,251	A	10/1989	Hazard		

5,027,472	A	7/1991	Goodman		
D326,599	S *	6/1992	Callahan	D8/307
5,220,693	A	6/1993	Paglia		
D361,030	S	8/1995	Besette et al.		
D363,344	S *	10/1995	Hazard	D8/307
D373,819	S *	9/1996	Suynov	D23/311
D406,884	S	3/1999	Goss		
D427,293	S *	6/2000	Yastrop	D8/307
D508,840	S *	8/2005	Butler	D8/307
D535,175	S *	1/2007	Pido et al.	D8/307
2005/0262623	A1	12/2005	Holloway et al.		

* cited by examiner

Primary Examiner—Paula A. Greene

(57) **CLAIM**

The ornamental design for a toilet seat lifting handle, as shown and described.

DESCRIPTION

FIG. 1 is a top plan view of a toilet seat lifting handle showing our new design;

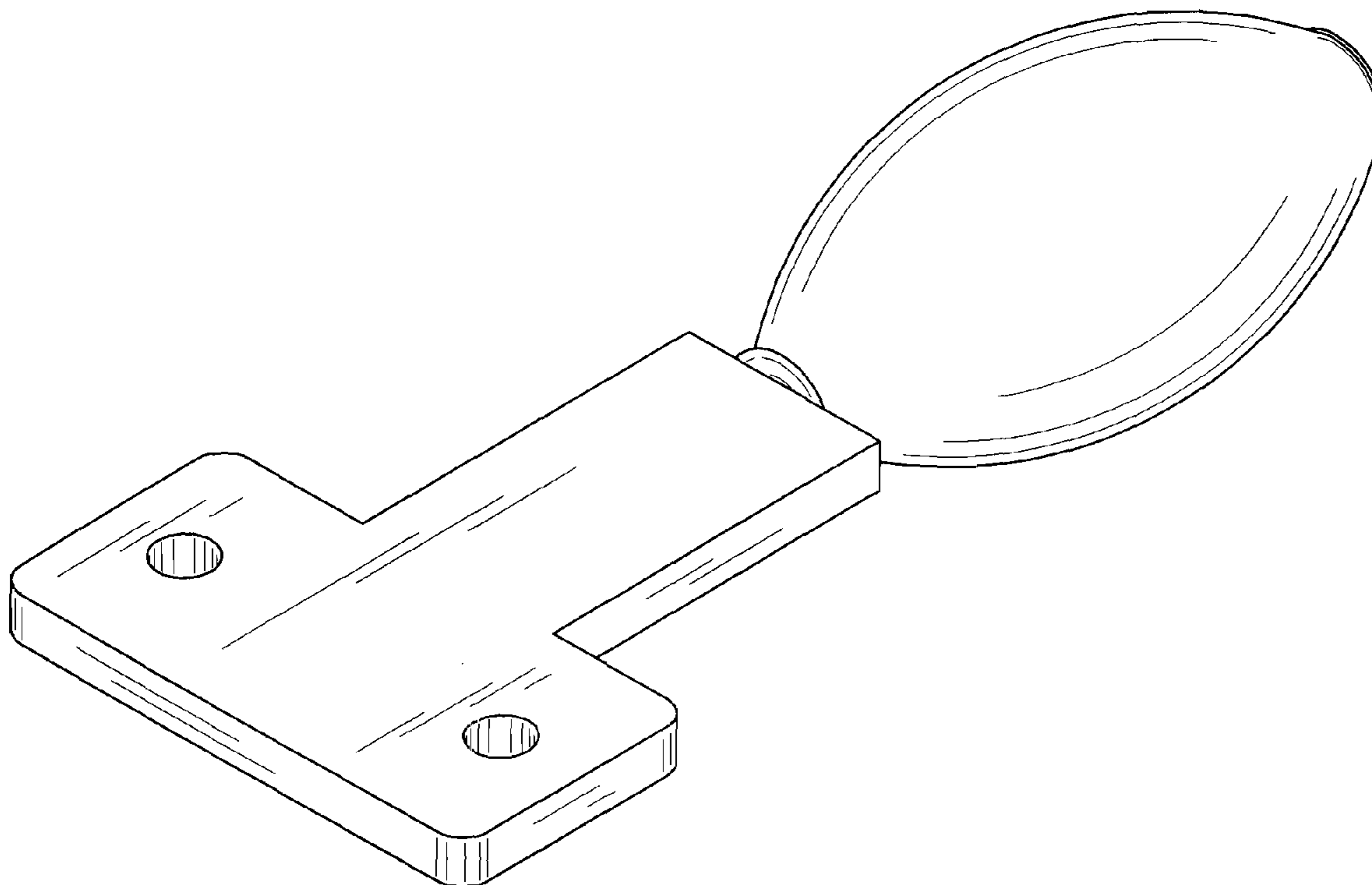
FIG. 2 is a rear elevation view;

FIG. 3 is a front elevation view;

FIG. 4 is a right side elevation view; and,

FIG. 5 is an isometric view of a toilet seat lifting handle showing our new design.

1 Claim, 2 Drawing Sheets



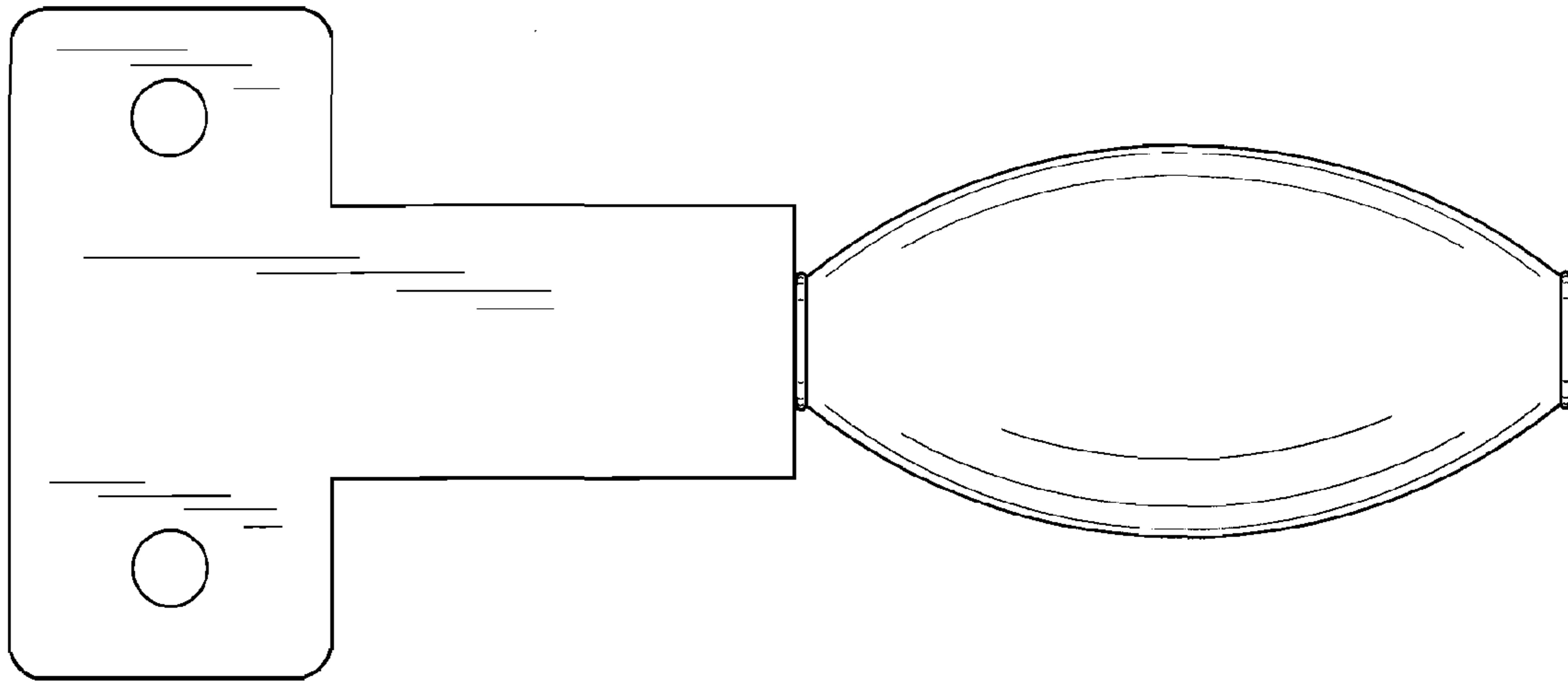


FIG. 1

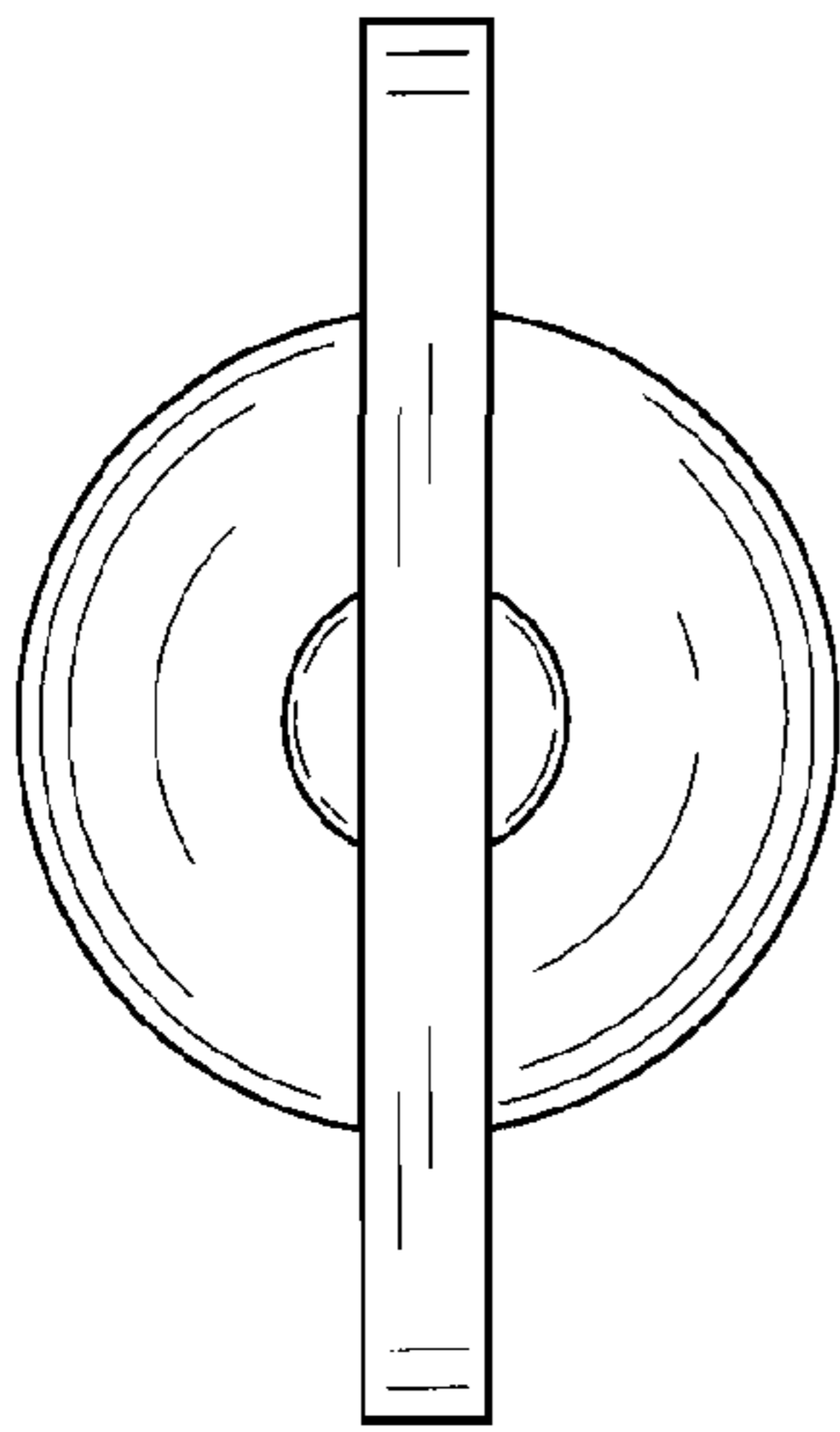


FIG. 2

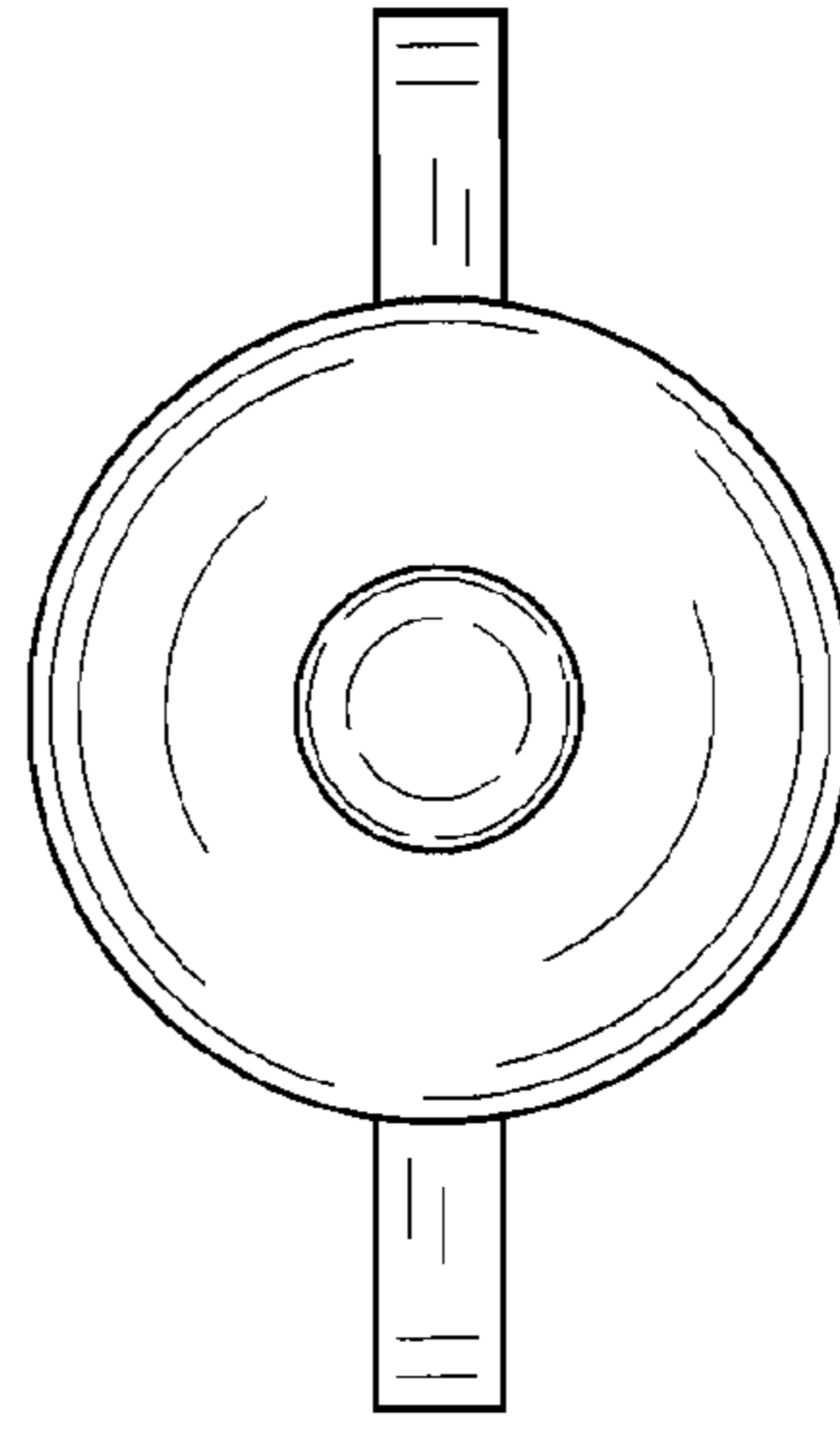


FIG. 3

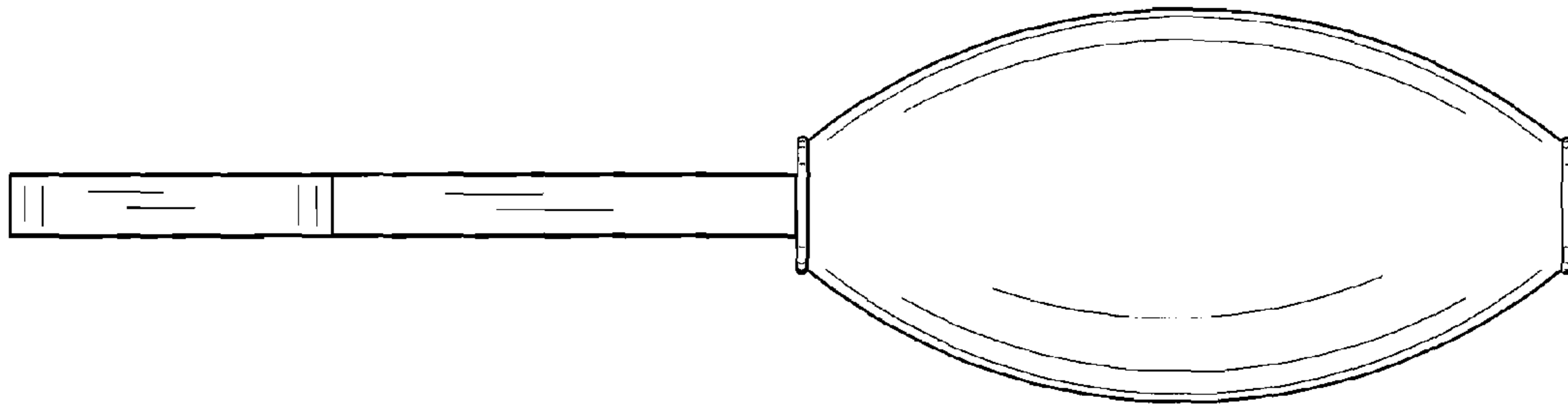


FIG. 4

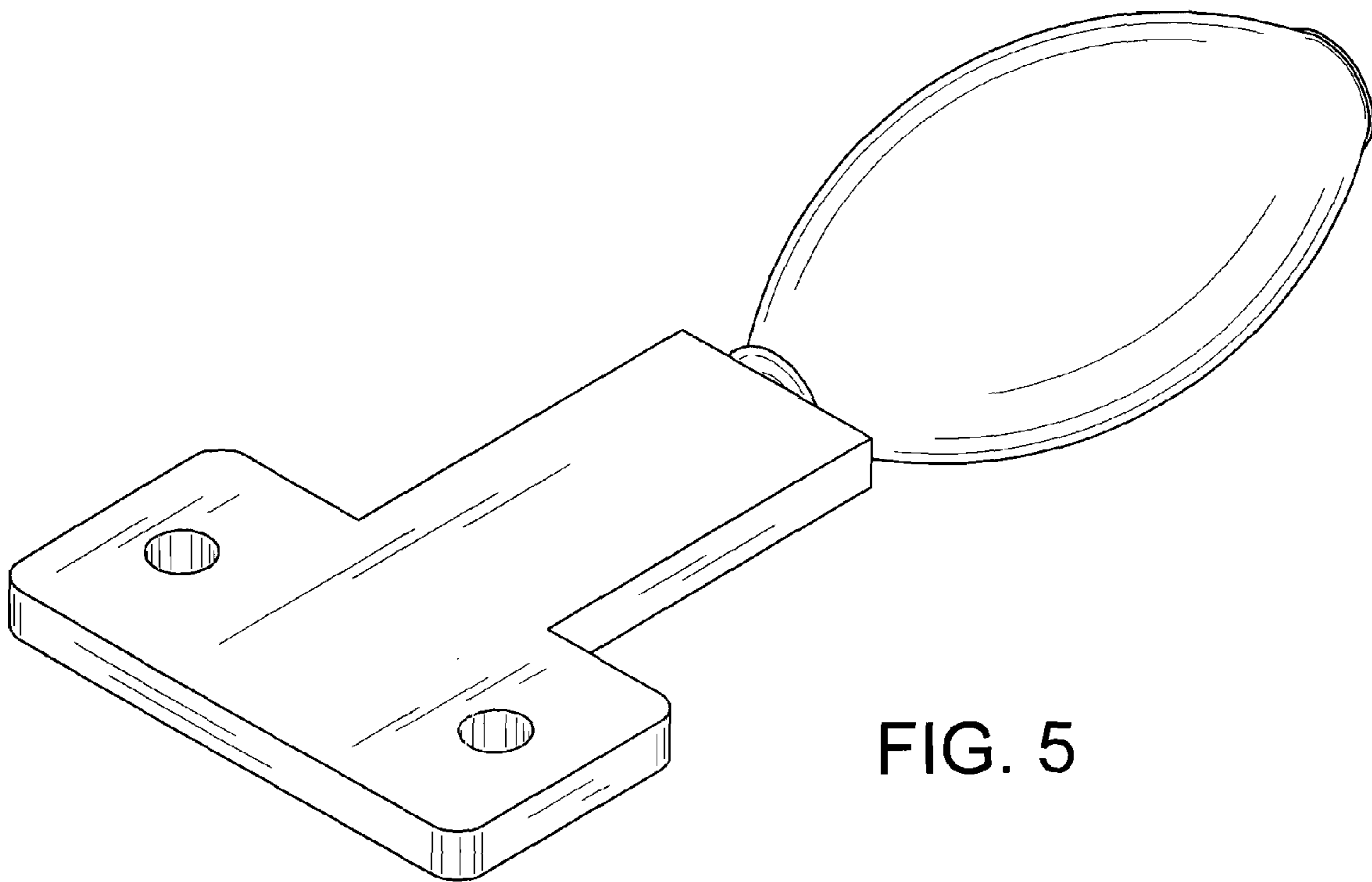


FIG. 5