



US00D567058S

(12) **United States Design Patent**
Tor Verges

(10) **Patent No.:** **US D567,058 S**

(45) **Date of Patent:** **** Apr. 22, 2008**

(54) **HANDLE**

D434,962 S * 12/2000 Short D8/310
D515,394 S * 2/2006 Citterio D8/300

(76) Inventor: **Eduardo Tor Verges**, 7 Juan XXIII
Street, Esplugues De Llobregat
(Barcelona) (ES) 08950

* cited by examiner

Primary Examiner—Paula A. Greene

(74) *Attorney, Agent, or Firm*—Dowell & Dowell, P.C.

(**) Term: **14 Years**

(21) Appl. No.: **29/273,848**

(57) **CLAIM**

(22) Filed: **Mar. 15, 2007**

The ornamental design for a handle, as shown and described.

(30) **Foreign Application Priority Data**

DESCRIPTION

Sep. 15, 2006 (EM) 000588900-0015

FIG. 1 is a front perspective view of a handle showing my new design;

(51) **LOC (8) Cl.** **08-06**

FIG. 2 is a rear perspective view thereof;

(52) **U.S. Cl.** **D8/307**

FIG. 3 is a front elevational view thereof;

(58) **Field of Classification Search** D8/300,

FIG. 4 is top plan view thereof, a view from the bottom being a mirror image;

D8/302, 307, 310, 312; D6/578–580, 491;
D23/250–254; D7/393–395; 264/511; D11/222–223;
16/110.1, 412–414, 415–418, 433, 441

FIG. 5 is a rear elevational view thereof;

See application file for complete search history.

FIG. 6 is a left side view thereof, a view from the right side being a mirror image;

(56) **References Cited**

FIG. 7 is a front perspective view of handle showing an alternative embodiment of my new design; and,

U.S. PATENT DOCUMENTS

FIG. 8 is a rear perspective view of the sides of the handle not shown in FIG. 7.

449,908 A * 4/1891 Matthews 16/414
D98,585 S * 2/1936 Fisher D11/222
D227,737 S * 7/1973 Chasen D8/307
D429,991 S * 8/2000 Short D8/307

1 Claim, 3 Drawing Sheets

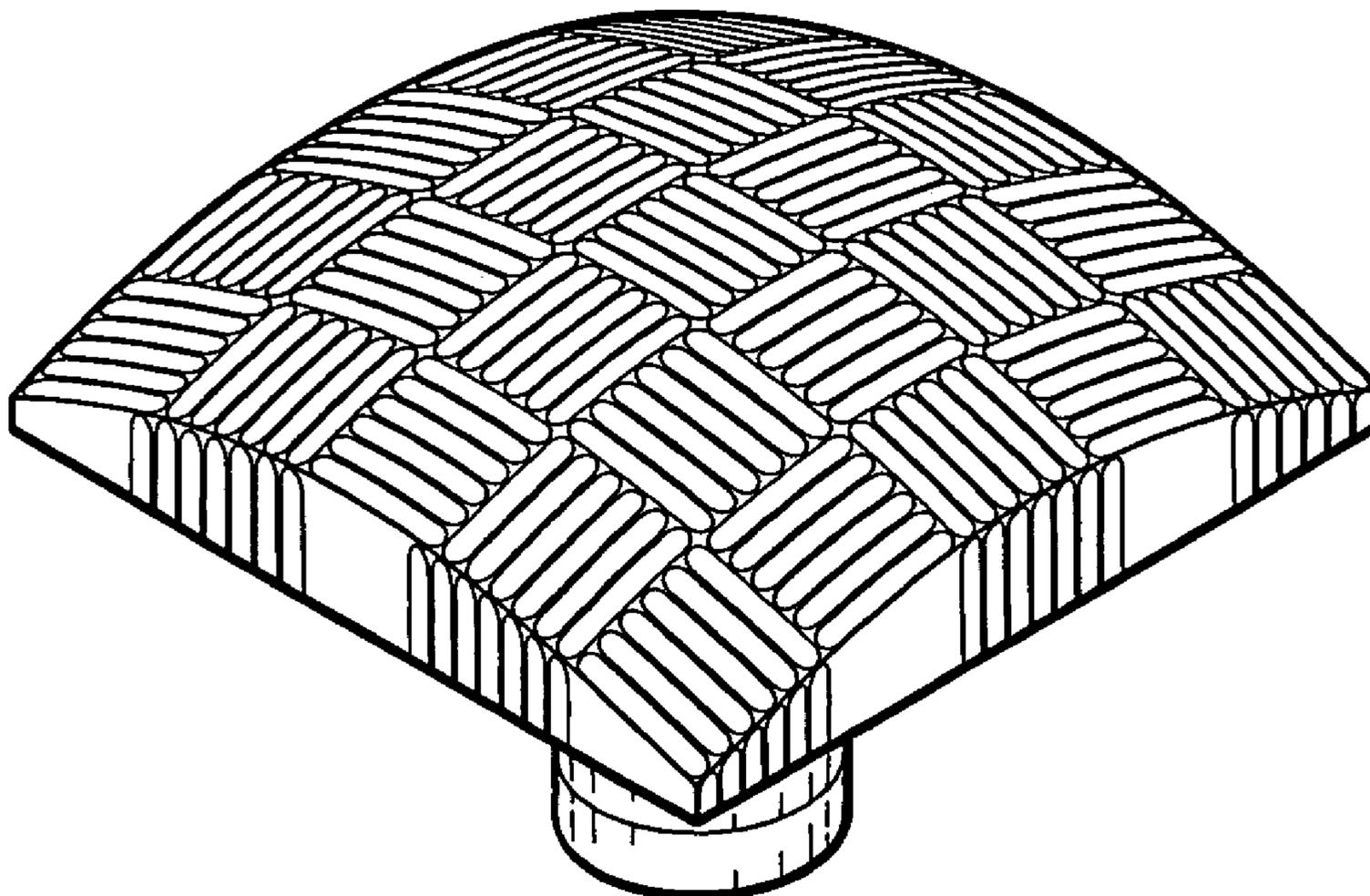


FIG. 3

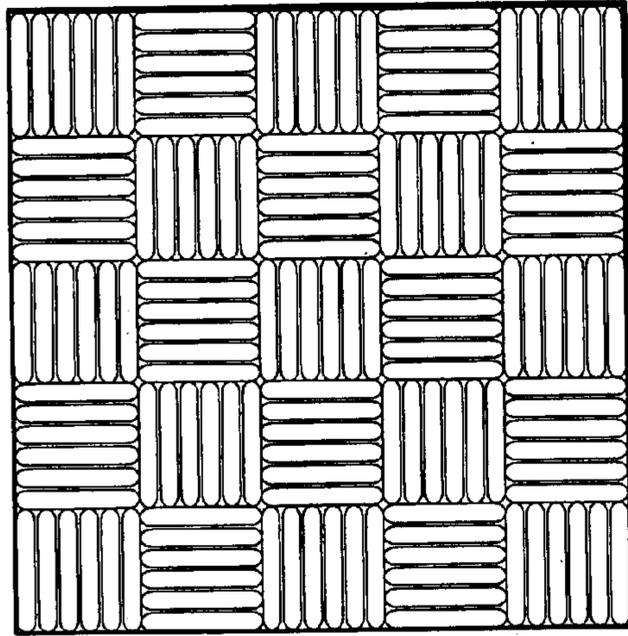


FIG. 1

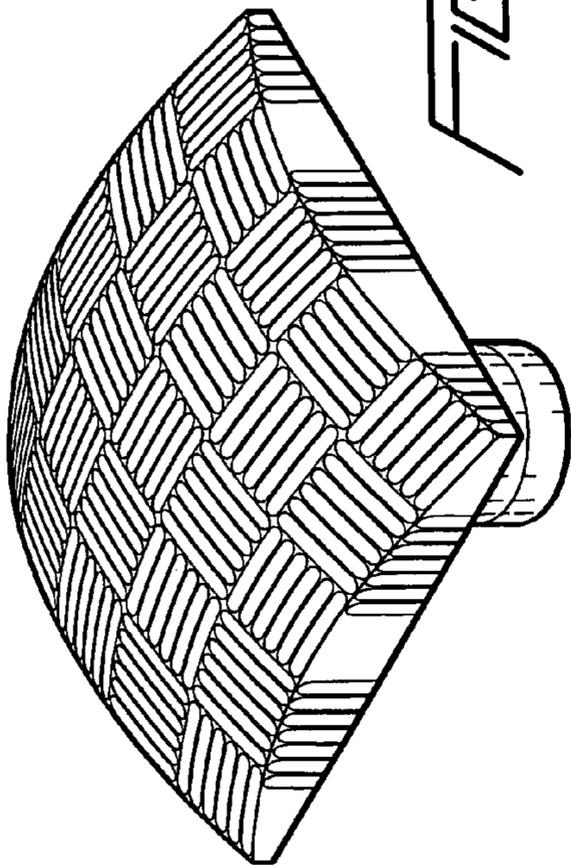
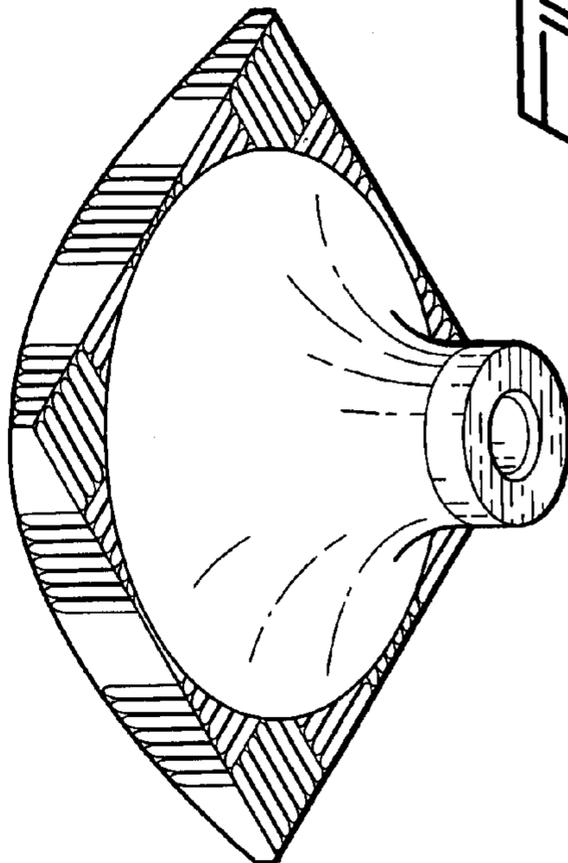


FIG. 2



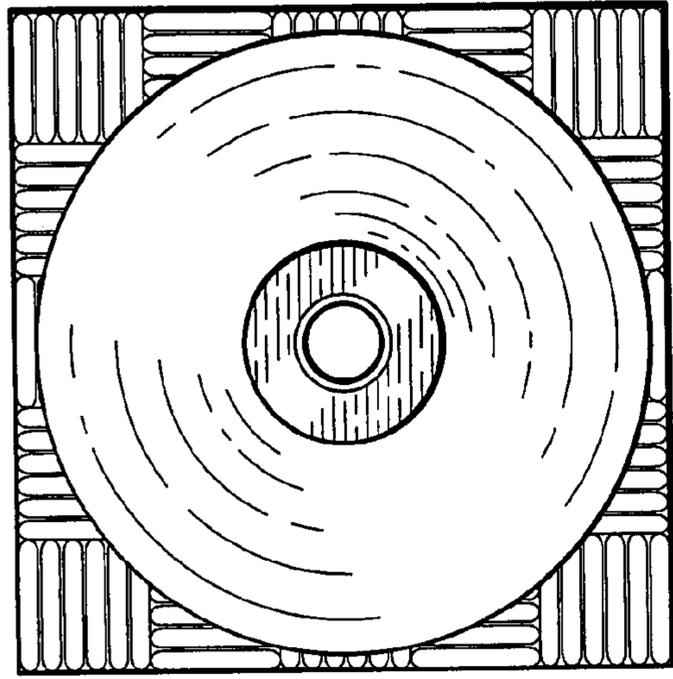


FIG. 5

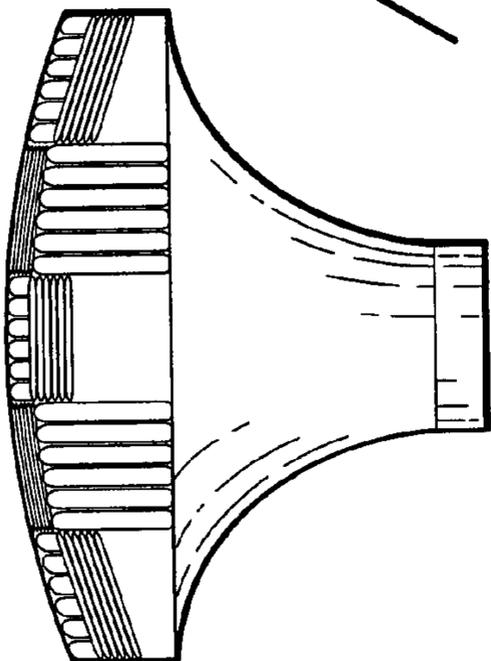


FIG. 4

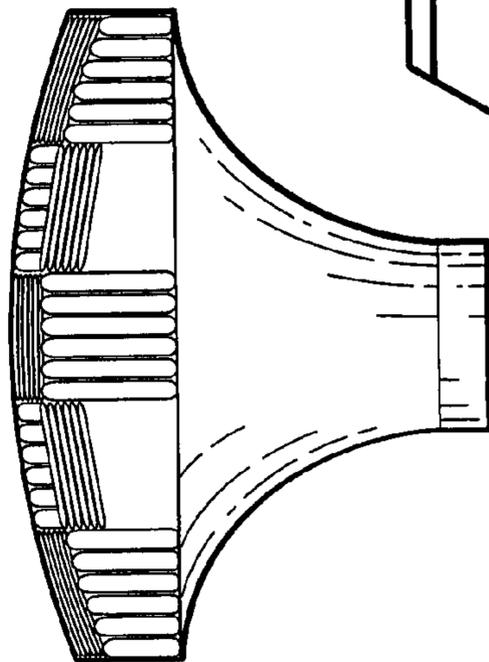


FIG. 6

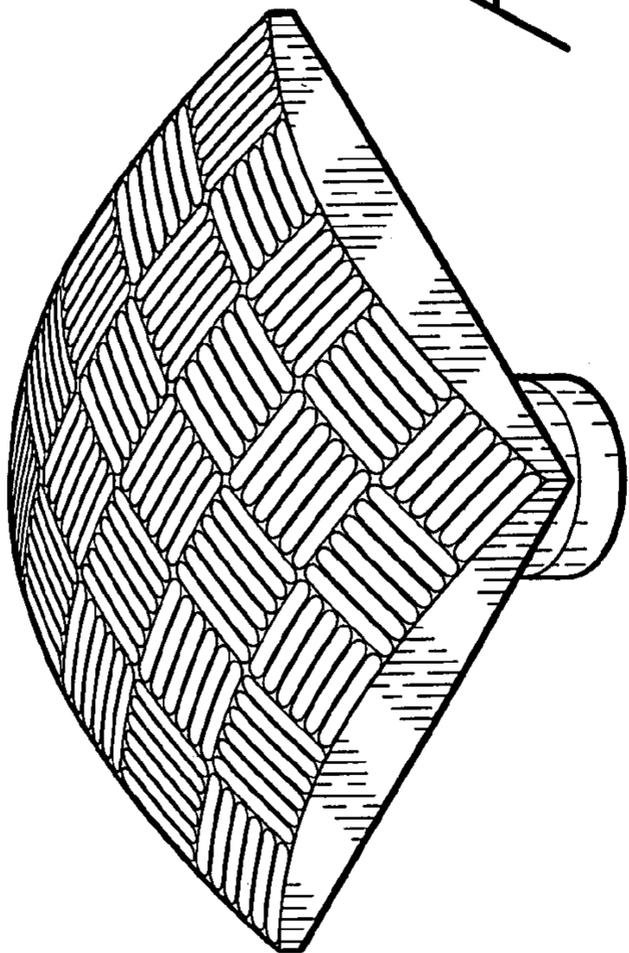


FIG. 7

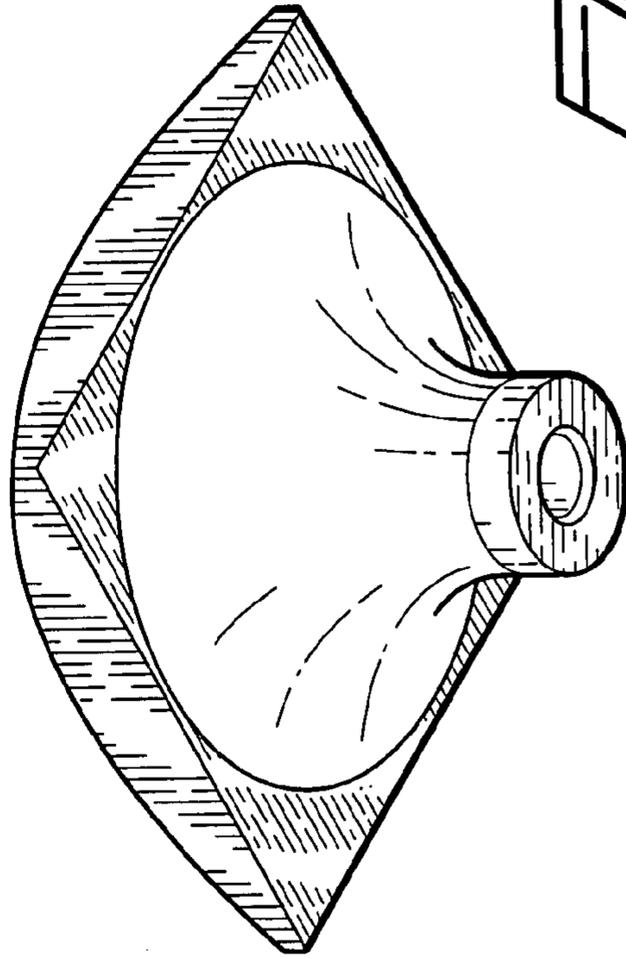


FIG. 8