



US00D567053S

(12) **United States Design Patent**
Panfli

(10) **Patent No.:** **US D567,053 S**

(45) **Date of Patent:** **** Apr. 22, 2008**

- (54) **SANDING DEVICE**
 - (75) Inventor: **Luigi Panfli**, Berthierville (CA)
 - (73) Assignee: **A. Richard S.E.N.C.**, Berthierville (CA)
 - (**) Term: **14 Years**
 - (21) Appl. No.: **29/249,191**
 - (22) Filed: **Sep. 26, 2006**
 - (51) **LOC (8) Cl.** **08-05**
 - (52) **U.S. Cl.** **D8/90**
 - (58) **Field of Classification Search** D8/90,
D8/62, 14; 451/456, 523, 524, 488, 494,
451/354, 388, 356, 525
- See application file for complete search history.

- 5,533,925 A 7/1996 Sato et al.
- 5,558,569 A 9/1996 Lee et al.
- 5,605,500 A 2/1997 Matechuk et al.
- 5,624,305 A 4/1997 Brown et al.
- D387,962 S 12/1997 Apolinski et al.
- 5,709,595 A 1/1998 Bergner et al.
- D392,860 S * 3/1998 Brown D8/62
- 5,833,524 A 11/1998 Satoh et al.
- D404,273 S 1/1999 Somers
- 5,967,886 A 10/1999 Wuensch et al.
- 6,004,194 A 12/1999 Hild et al.
- 6,099,397 A 8/2000 Wurst et al.
- 6,179,696 B1 1/2001 Duffy et al.
- 6,257,969 B1 7/2001 Bosten et al.
- D459,965 S 7/2002 Pretzell et al.

(Continued)

Primary Examiner—Philip S. Hyder
(74) *Attorney, Agent, or Firm*—Darby & Darby P.C.

(56) **References Cited**

U.S. PATENT DOCUMENTS

- 3,160,995 A 12/1964 Danuski, Jr.
- 4,062,152 A 12/1977 Mehrer
- 4,320,601 A * 3/1982 Haney 451/514
- 4,779,385 A * 10/1988 Reiter 451/354
- 4,937,984 A * 7/1990 Taranto 451/524
- 4,964,243 A * 10/1990 Reiter 451/354
- 5,007,206 A * 4/1991 Paterson 451/344
- 5,036,627 A * 8/1991 Walters 451/354
- 5,056,268 A 10/1991 Wolff et al.
- 5,123,216 A 6/1992 Kloss et al.
- 5,193,313 A * 3/1993 Sanchez et al. 451/344
- 5,239,783 A 8/1993 Matechuk et al.
- 5,245,797 A * 9/1993 Milkie 451/354
- D343,104 S 1/1994 Hoshino
- D344,003 S * 2/1994 Milkie D8/90
- 5,313,746 A 5/1994 Zarriello
- 5,319,889 A 6/1994 Rudolf et al.
- D354,666 S * 1/1995 Kriebel D8/90
- 5,398,454 A 3/1995 Berner et al.
- 5,398,457 A 3/1995 Updegrave et al.
- 5,470,272 A 11/1995 Kikuchi et al.
- 5,482,499 A 1/1996 Satoh et al.
- 5,527,212 A 6/1996 Bowen et al.
- D371,948 S * 7/1996 Liu D8/90

(57) **CLAIM**

The ornamental design for a sanding device, as shown and described.

DESCRIPTION

FIG. 1 is a top perspective view of a sanding device showing my new design, wherein the upper portion is shown in a tilted position.

FIG. 2 is a front elevational view thereof, wherein the upper portion is shown in an upright position.

FIG. 3 is a left elevational side view of what is shown in FIG. 2.

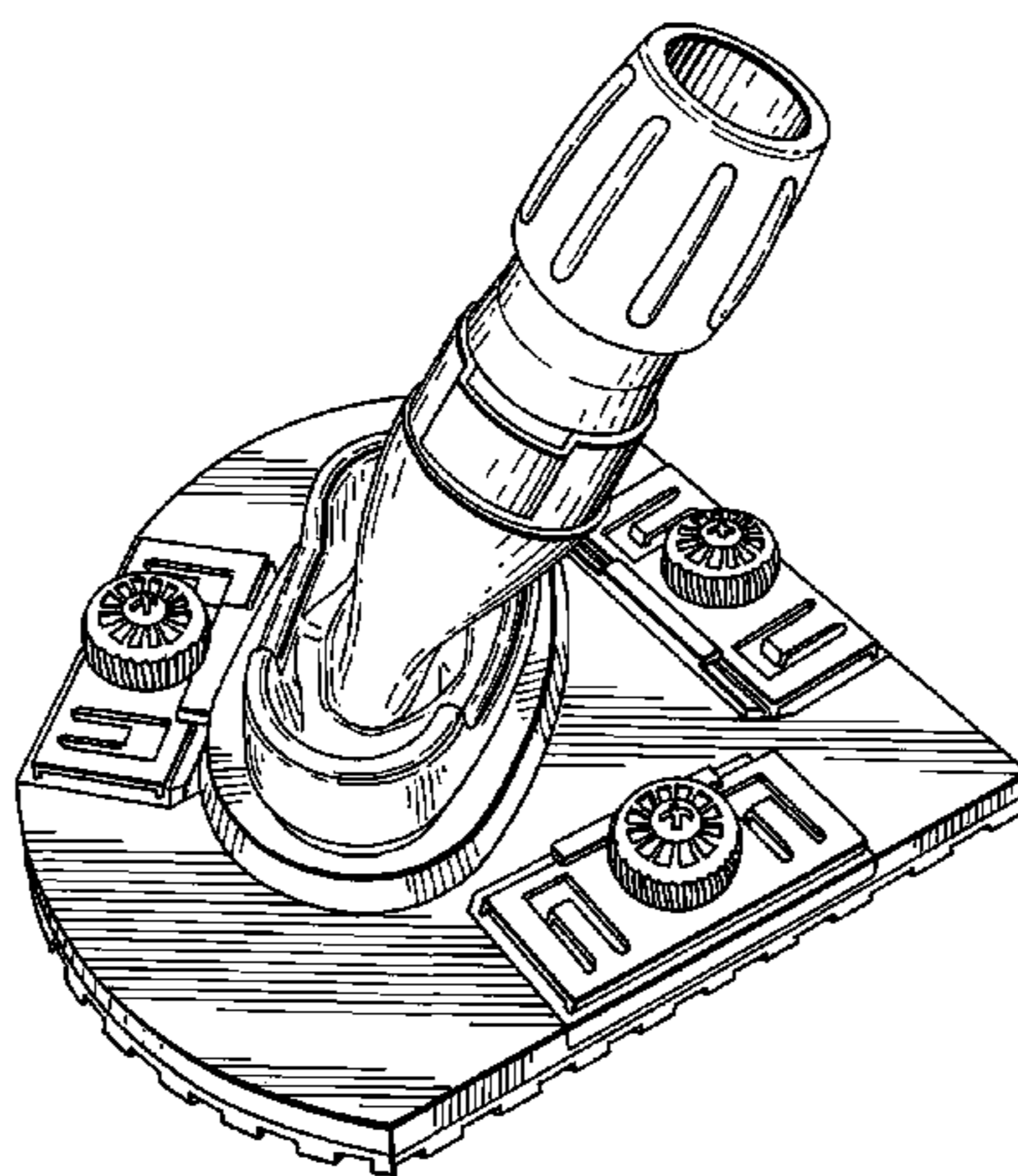
FIG. 4 is a right elevational side view of what is shown in FIG. 2.

FIG. 5 is a rear elevational view of what is shown in FIG. 2.

FIG. 6 is a top plan view of what is shown in FIG. 2.

FIG. 7 is a bottom plan view of what is shown in FIG. 2; and, FIG. 8 is a bottom perspective view of the base of the sanding device wherein the upper portion of the design is omitted for ease of illustration.

1 Claim, 8 Drawing Sheets



US D567,053 S

Page 2

U.S. PATENT DOCUMENTS

6,705,931 B2 3/2004 Moolenaar et al.
D494,434 S 8/2004 Sun et al.
6,860,799 B2 3/2005 Loveless
D504,602 S 5/2005 Aglassinger et al.

D511,954 S 11/2005 Heun et al.
7,033,259 B1* 4/2006 Seasholtz et al. 451/354
2001/0051501 A1* 12/2001 Pellegrin 451/354
2004/0192180 A1 9/2004 Bosten et al.

* cited by examiner

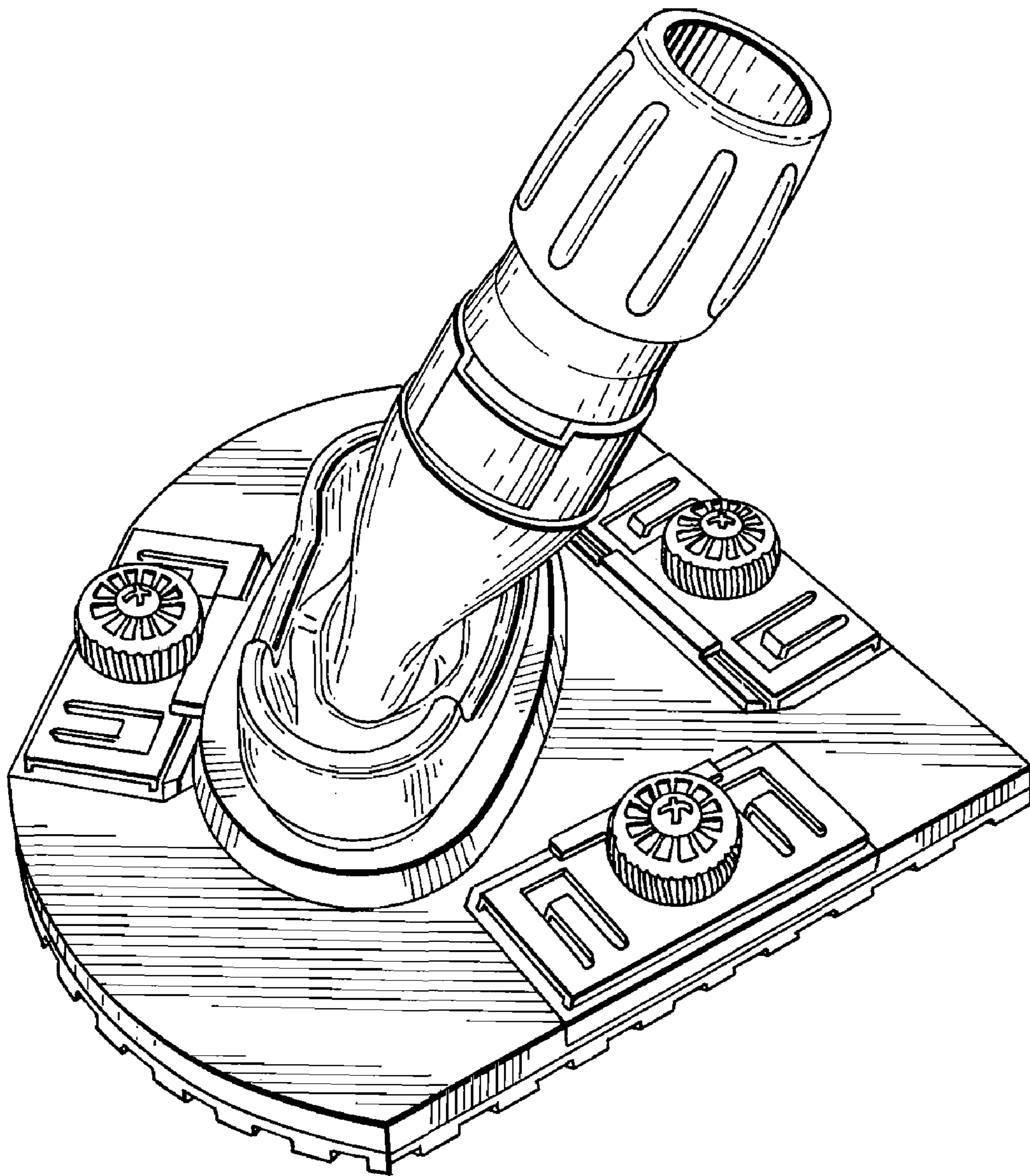


FIG. 1

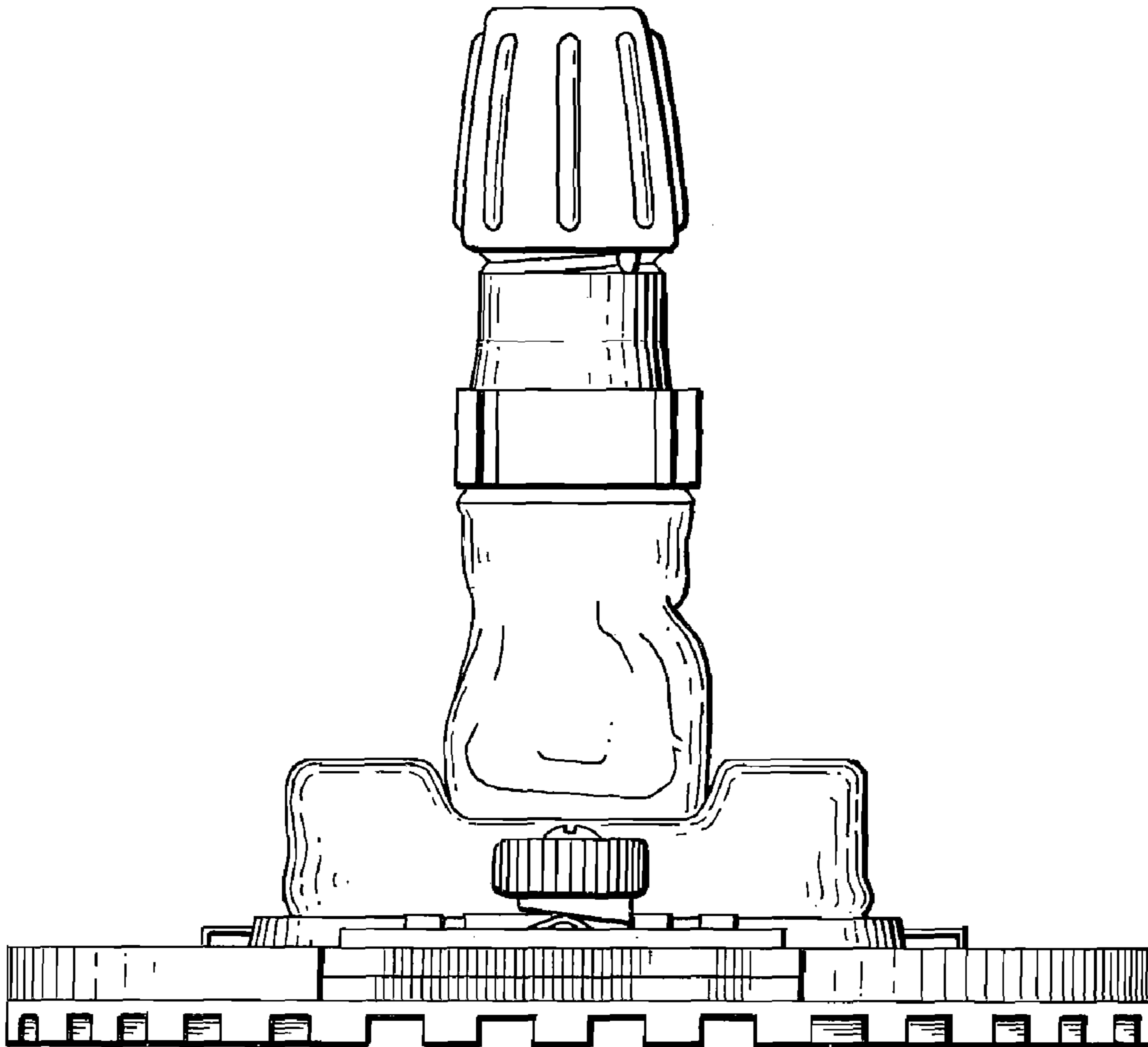


FIG. 2

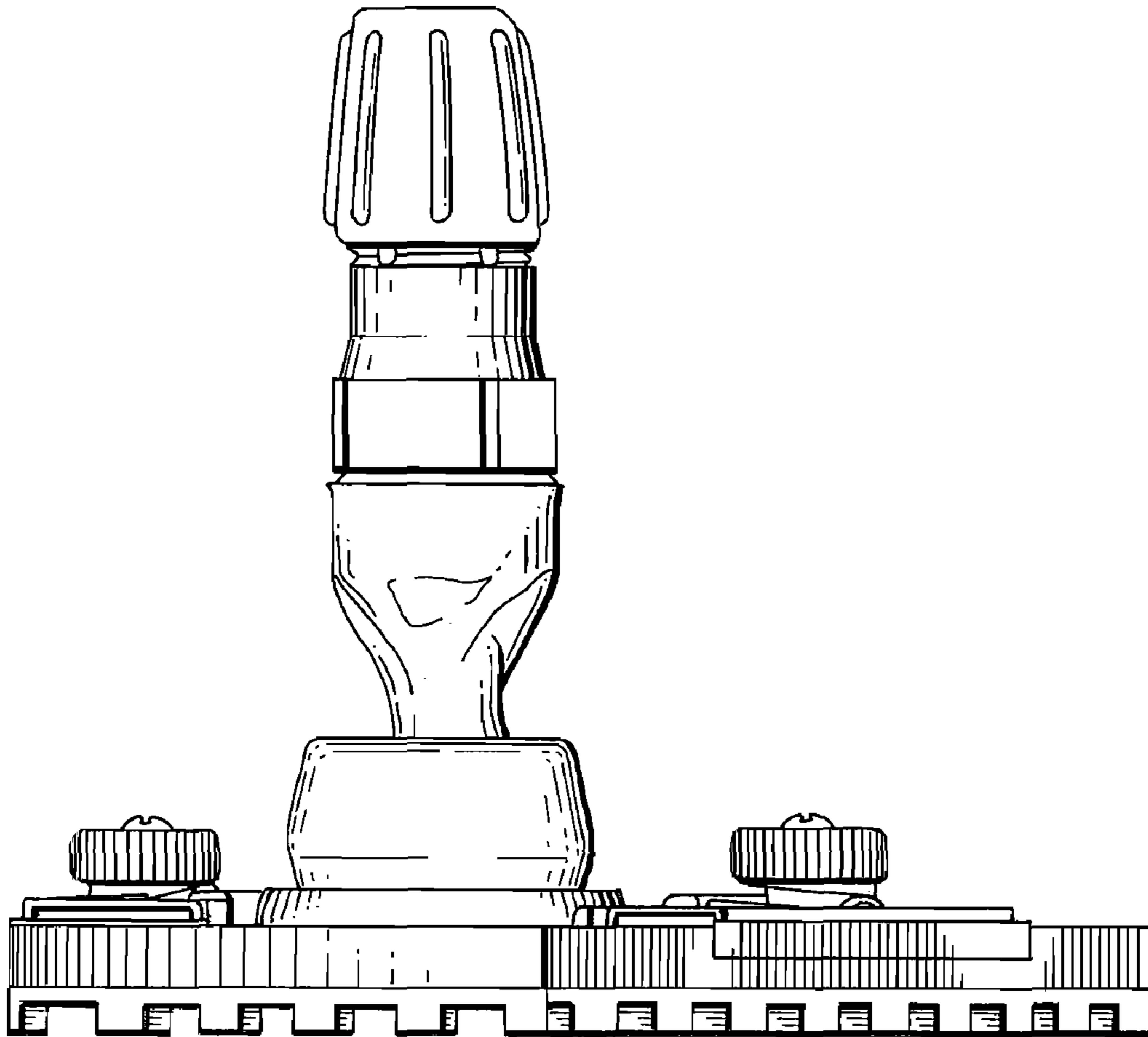


FIG. 3

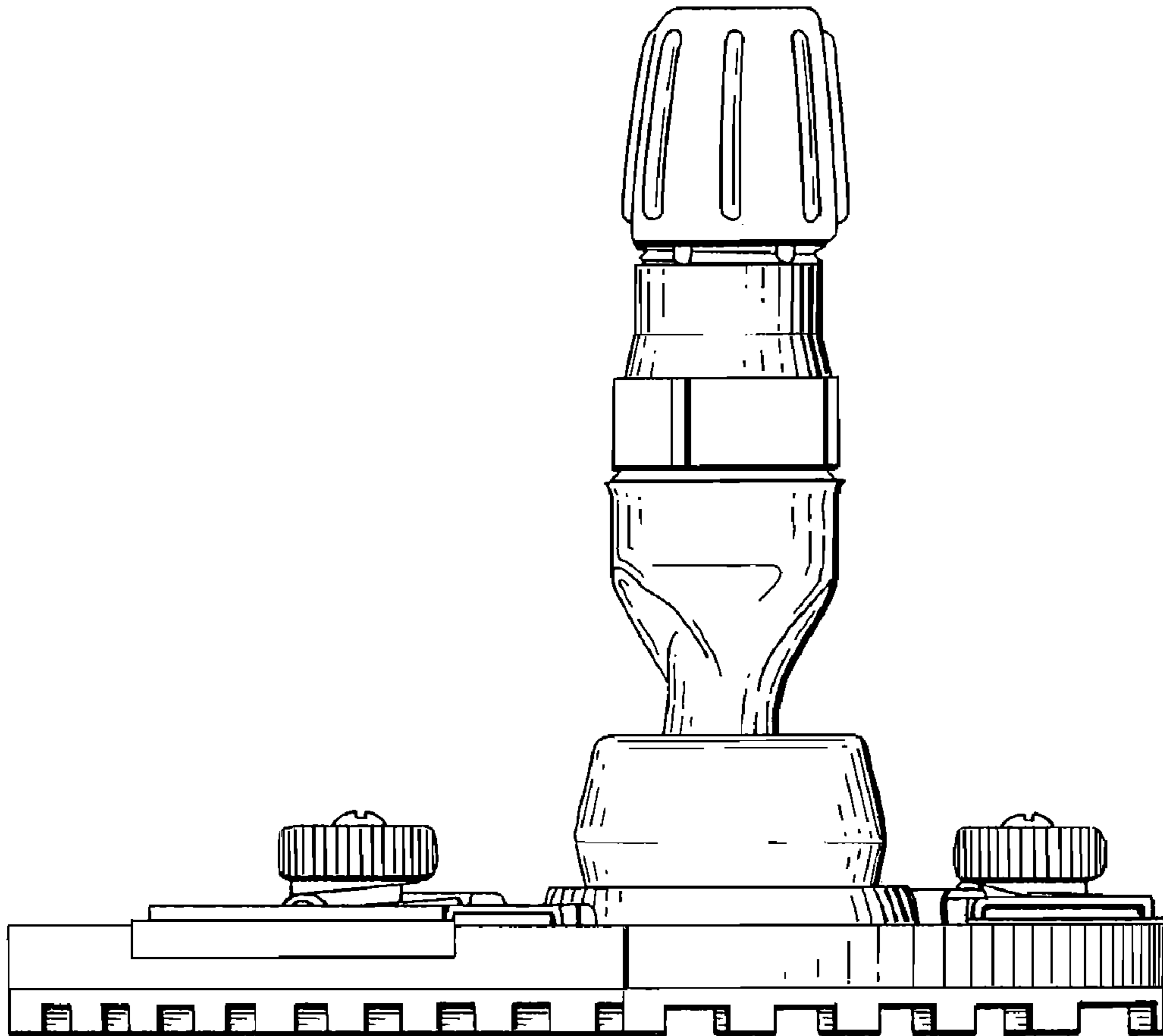


FIG. 4

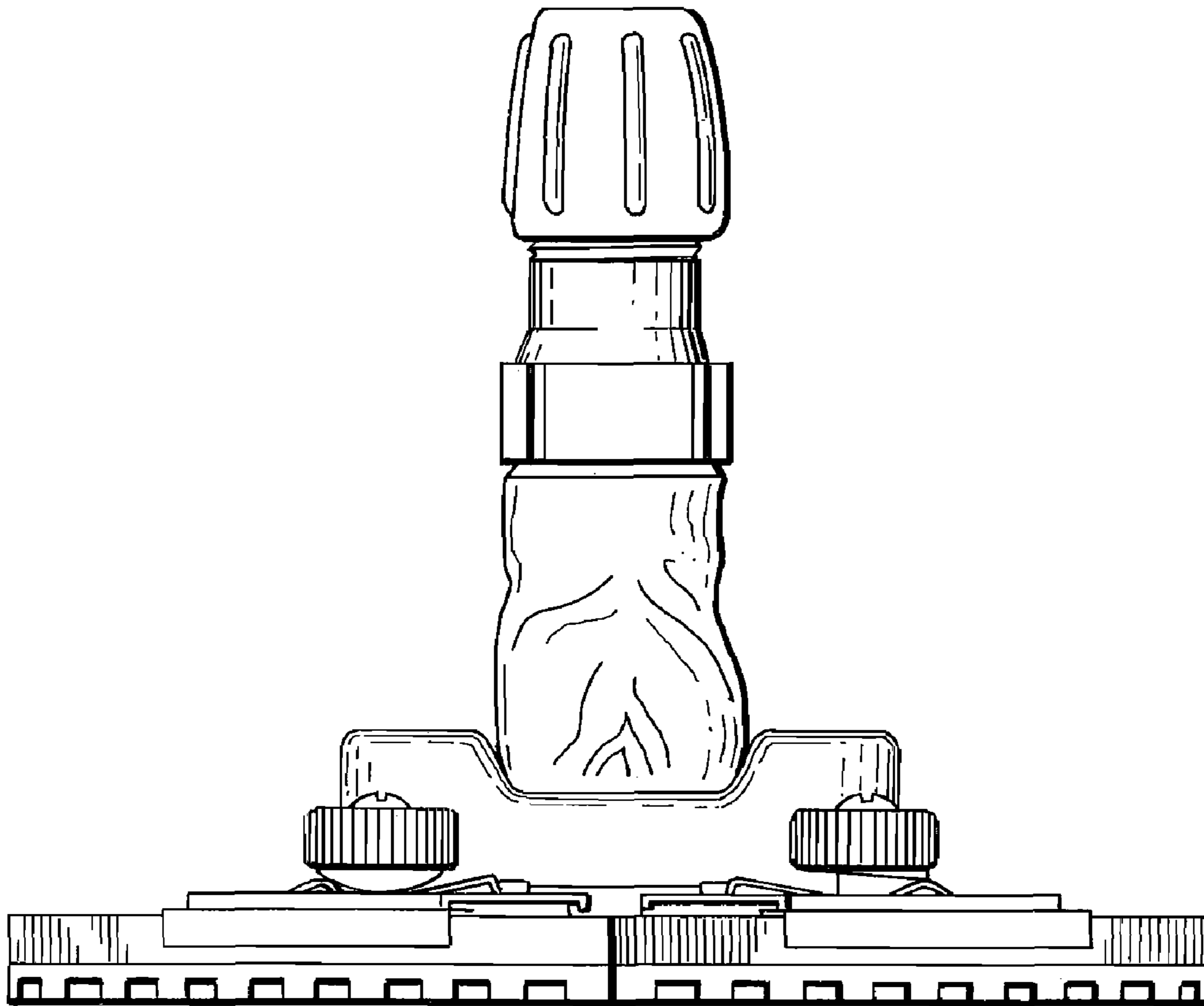


FIG. 5

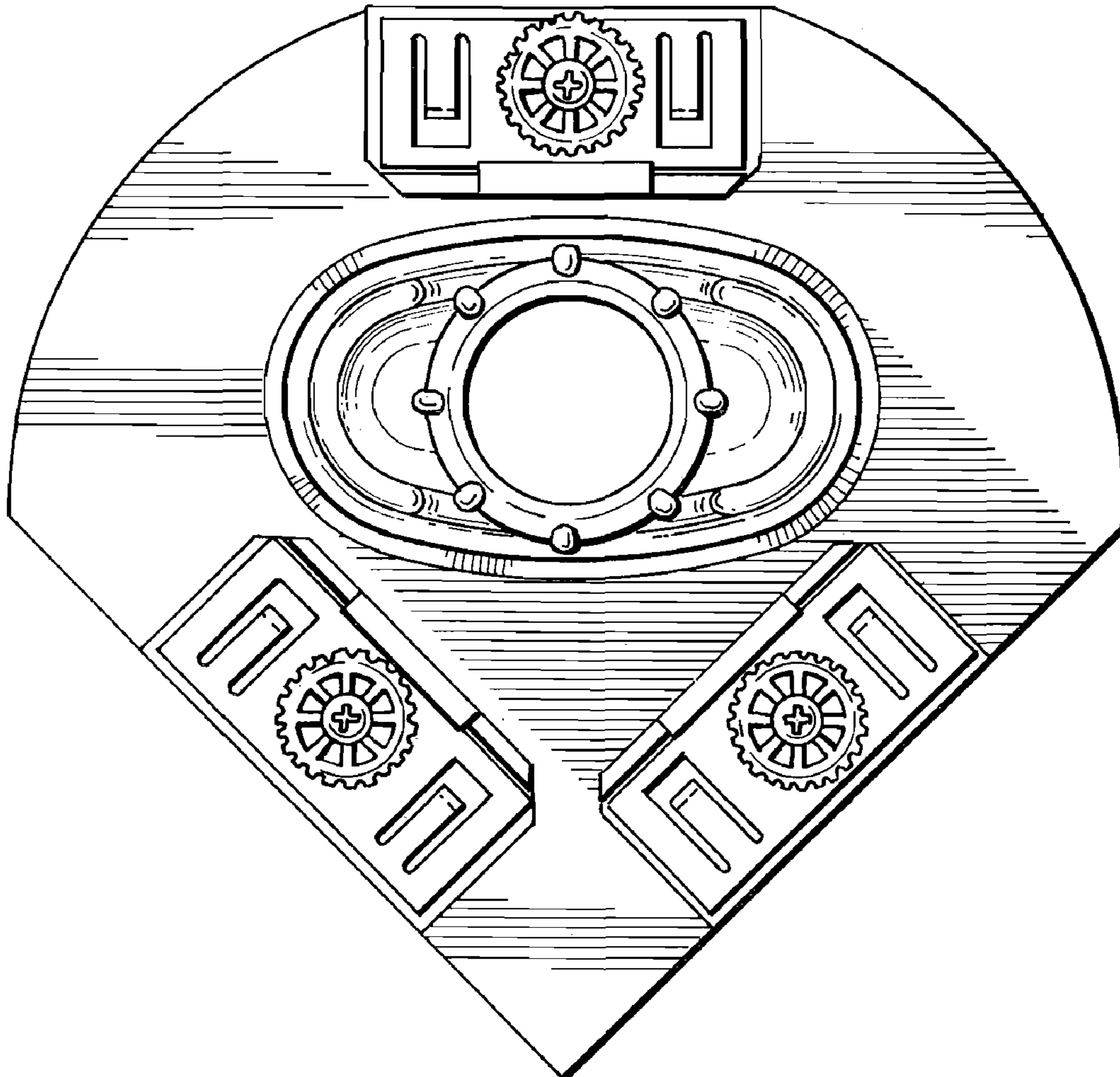


FIG. 6

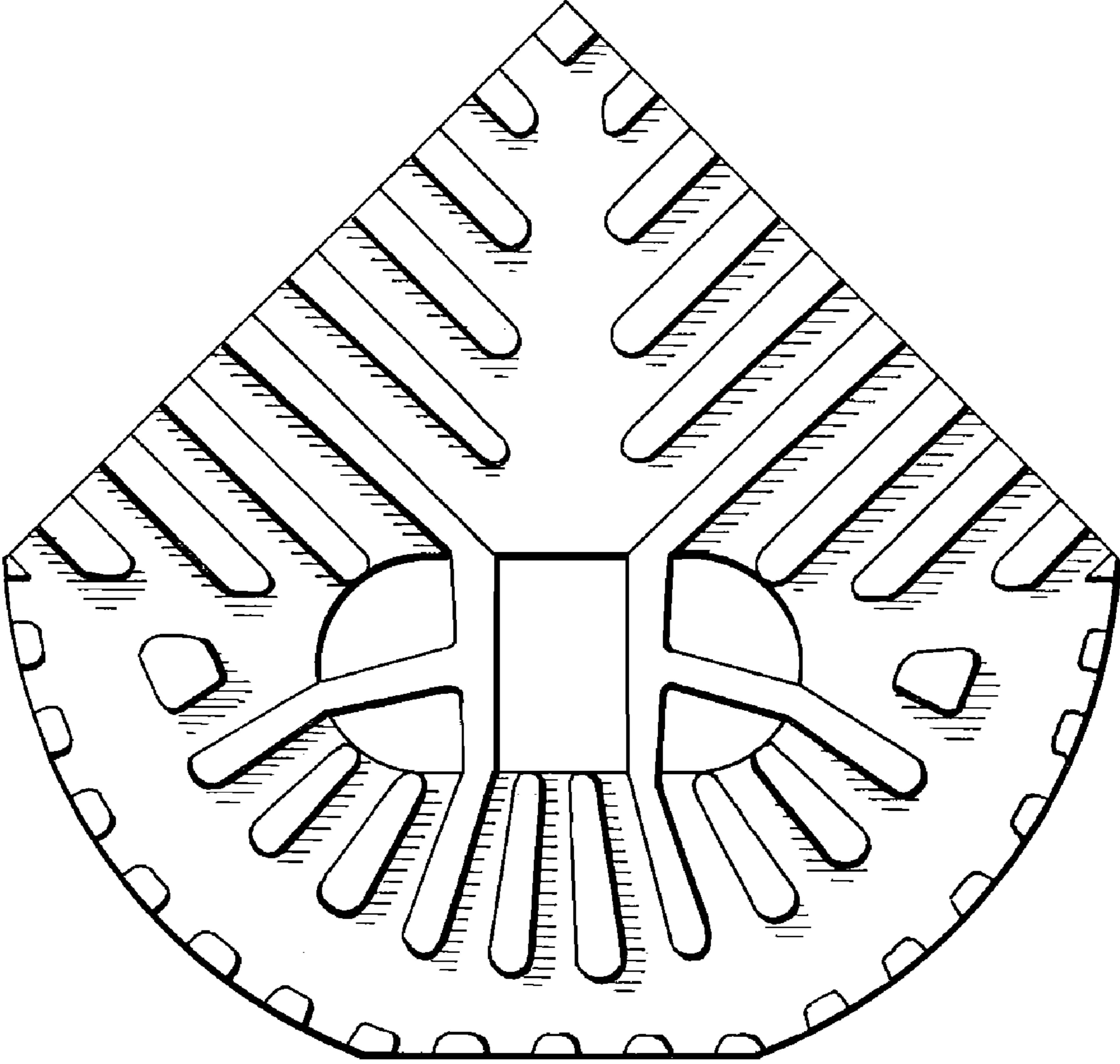


FIG. 7

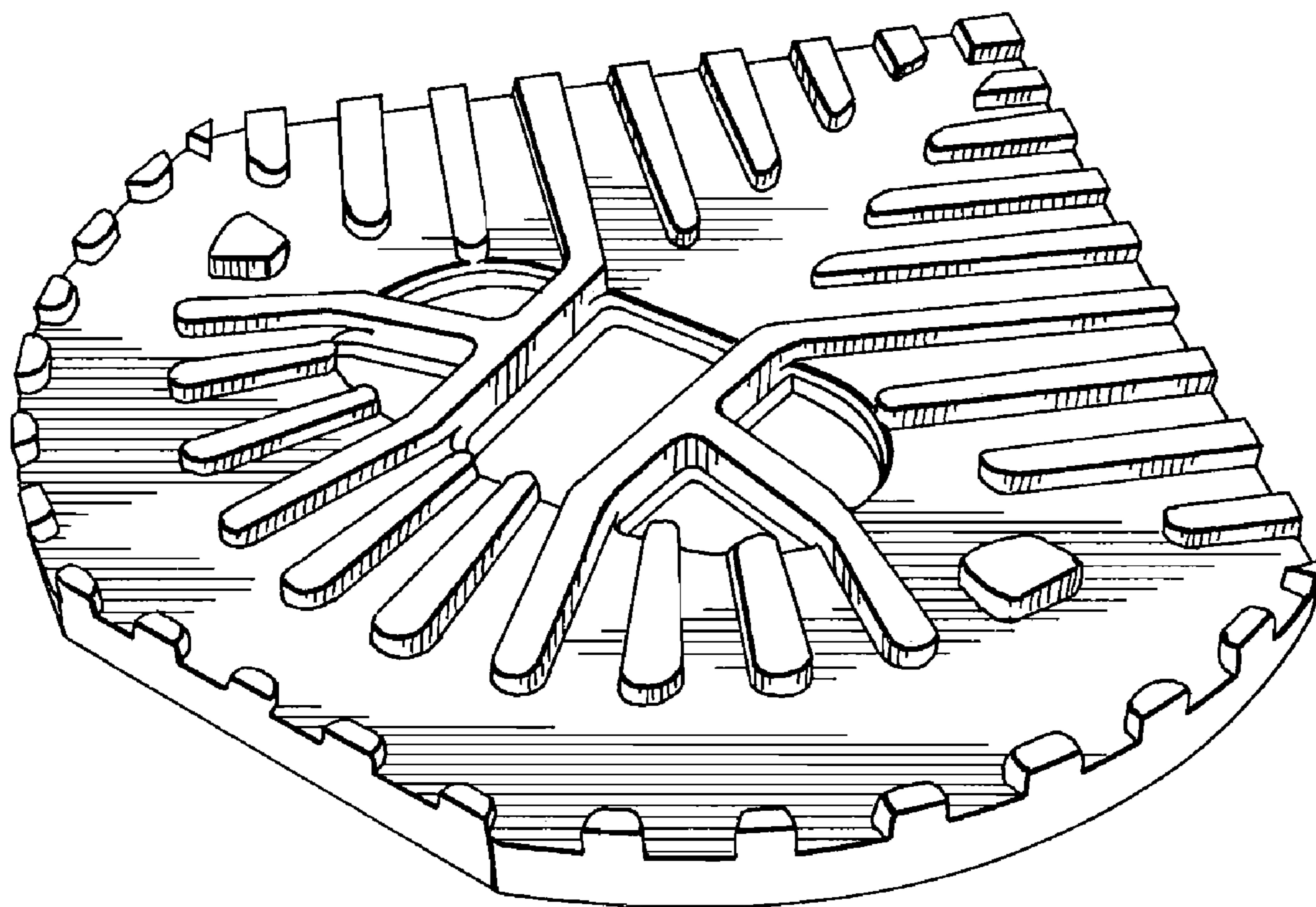


FIG. 8