



US00D567051S

(12) **United States Design Patent** (10) **Patent No.:** **US D567,051 S**
Sell (45) **Date of Patent:** **** Apr. 22, 2008**

(54) **BASE FOR A DRILL STAND**

(75) Inventor: **Stefan Sell**, Mainz (DE)

(73) Assignee: **Black & Decker Inc.**, Newark, DE (US)

(**) Term: **14 Years**

(21) Appl. No.: **29/276,898**

(22) Filed: **Feb. 8, 2007**

(51) **LOC (8) Cl.** **08-05**

(52) **U.S. Cl.** **D8/71**

(58) **Field of Classification Search** D8/70-74, D8/349, 354, 355, 373, 395, 14; D3/315; D6/553; D15/130, 132, 135, 136, 138-141, D15/144.1, 144.2; D19/78; 206/349, 372, 206/373; 211/70.1, 70.6; 220/696; 294/19.1, 294/27.1, 86.4; 299/104, 106; 16/429; 29/527.1, 29/527.5; 248/299.15

See application file for complete search history.

(56) **References Cited**

U.S. PATENT DOCUMENTS

D109,851 S *	5/1938	Meredith	D15/135
D121,898 S *	8/1940	Ingwer	D8/74
2,649,000 A *	8/1953	Bice	269/58
D208,819 S *	10/1967	Stone	D15/140
3,789,912 A *	2/1974	Rusk et al.	164/243
D239,002 S *	3/1976	Hildebrandt	D8/71
D273,496 S *	4/1984	House, II	D15/132
D282,241 S *	1/1986	Sauber	D8/373
4,585,080 A *	4/1986	Bender	175/170
D284,970 S *	8/1986	Wolff	D15/132
D291,528 S *	8/1987	Degen	D8/71
D343,628 S *	1/1994	Sciholtz	D15/136
D392,534 S *	3/1998	Degen et al.	D8/71

5,797,708 A *	8/1998	Bencic	408/112
D406,035 S *	2/1999	Erisoty et al.	D8/71
D406,036 S *	2/1999	Flachslaender et al.	D8/74
D414,669 S *	10/1999	Howard	D8/71
D431,767 S *	10/2000	Jiminez et al.	D8/71
D463,728 S *	10/2002	Johnson	D8/349
D472,566 S *	4/2003	Okada	D15/135
D474,093 S *	5/2003	Chang	D8/71
6,601,621 B2 *	8/2003	Wixey et al.	144/252.1
6,896,136 B2 *	5/2005	Hu	206/378
D543,604 S *	5/2007	Minneman	D22/108
D549,450 S *	8/2007	Campeau	D3/228
D554,477 S *	11/2007	Conley et al.	D8/354

* cited by examiner

Primary Examiner—T. Chase Nelson

Assistant Examiner—Karen Acker

(74) *Attorney, Agent, or Firm*—Michael P. Leary; Charles E. Yocum; Adan Ayala

(57) **CLAIM**

The ornamental design for a base for a drill stand, as shown and described.

DESCRIPTION

FIG. 1 is a top/right perspective view of a base for a drill stand.

FIG. 2 is a right side elevational view thereof.

FIG. 3 is a left side elevational view thereof.

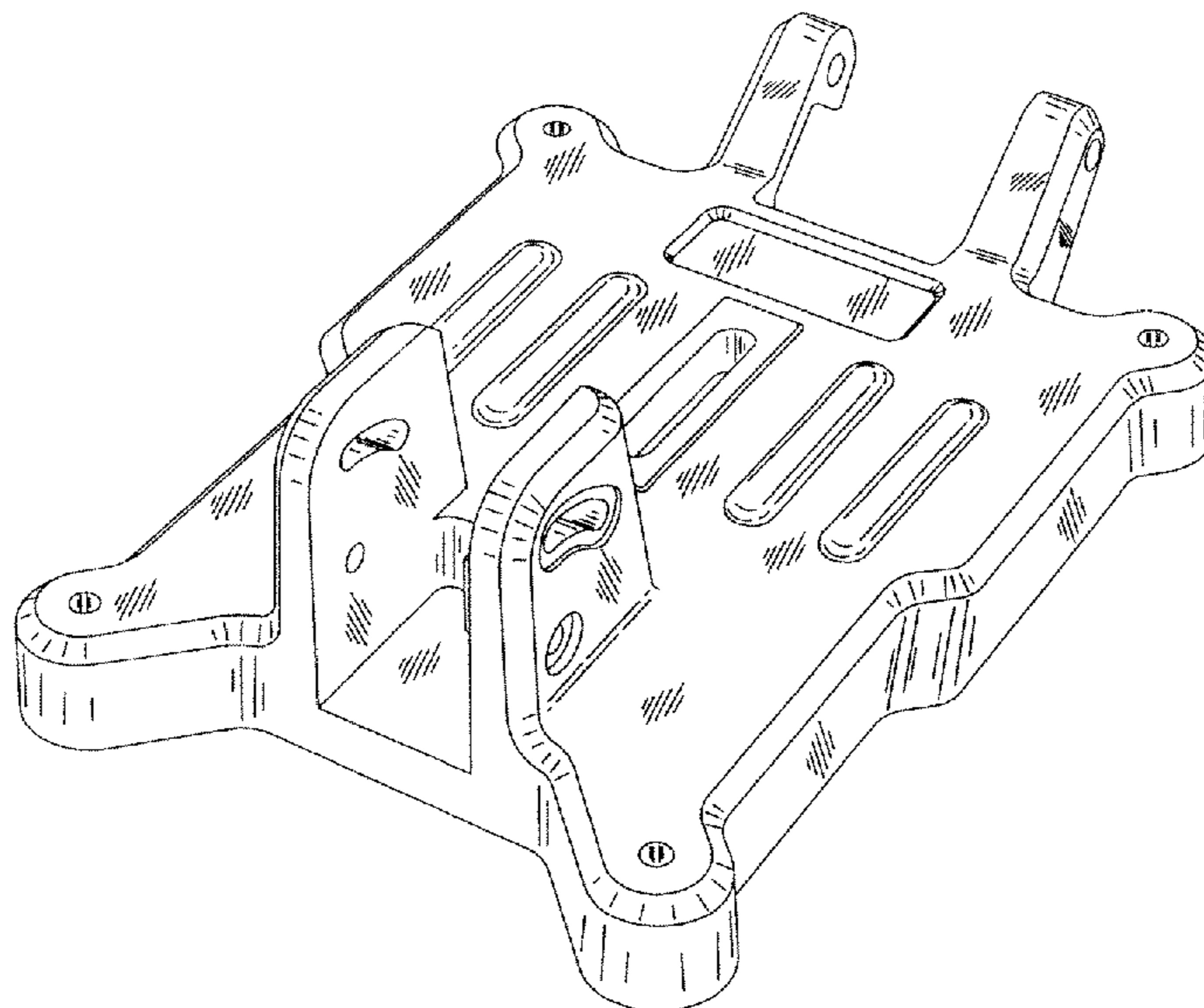
FIG. 4 is a front elevational view thereof.

FIG. 5 is a rear elevational view thereof.

FIG. 6 is a top plan view thereof; and,

FIG. 7 is a bottom plan view thereof.

1 Claim, 6 Drawing Sheets



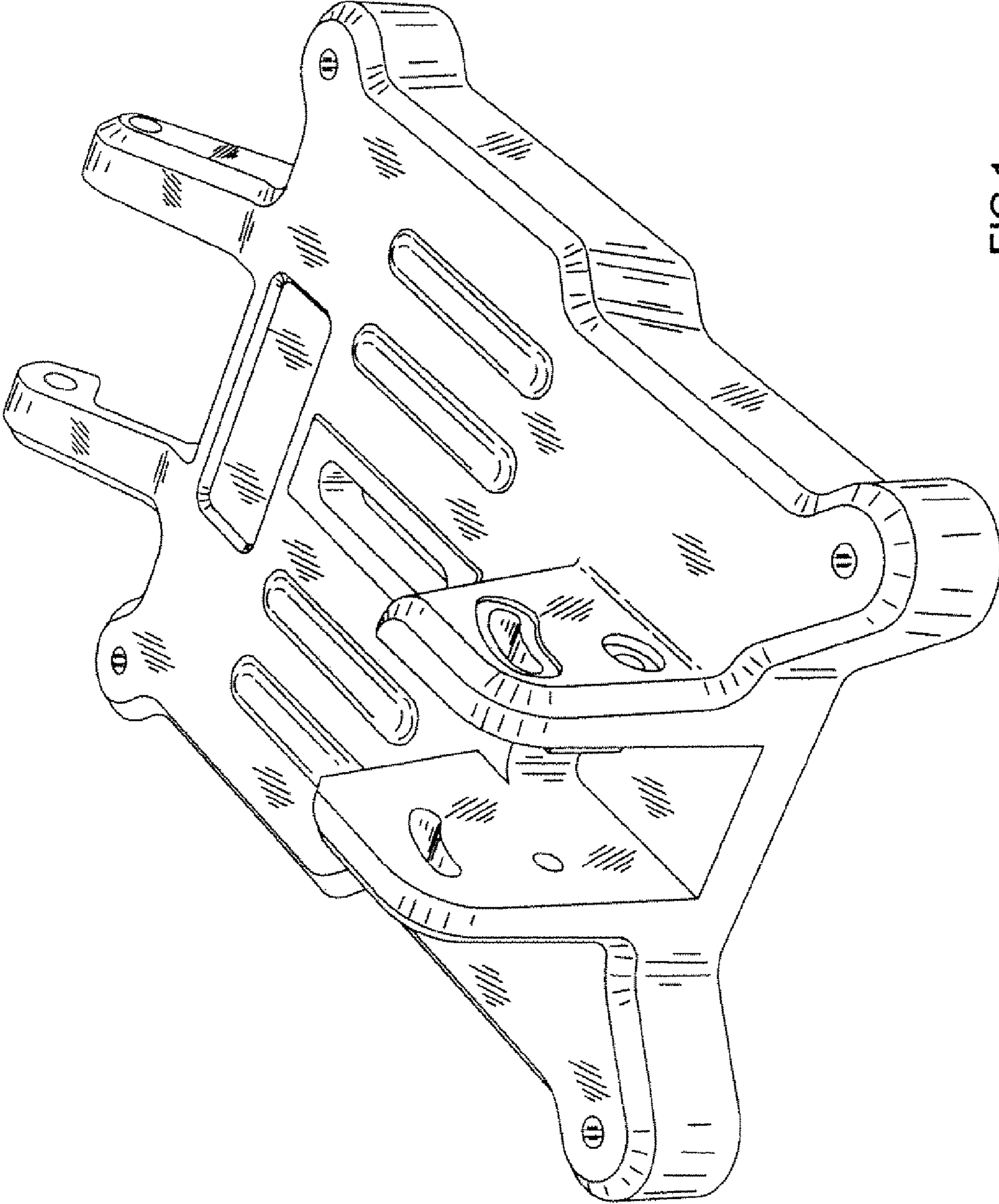


FIG. 1

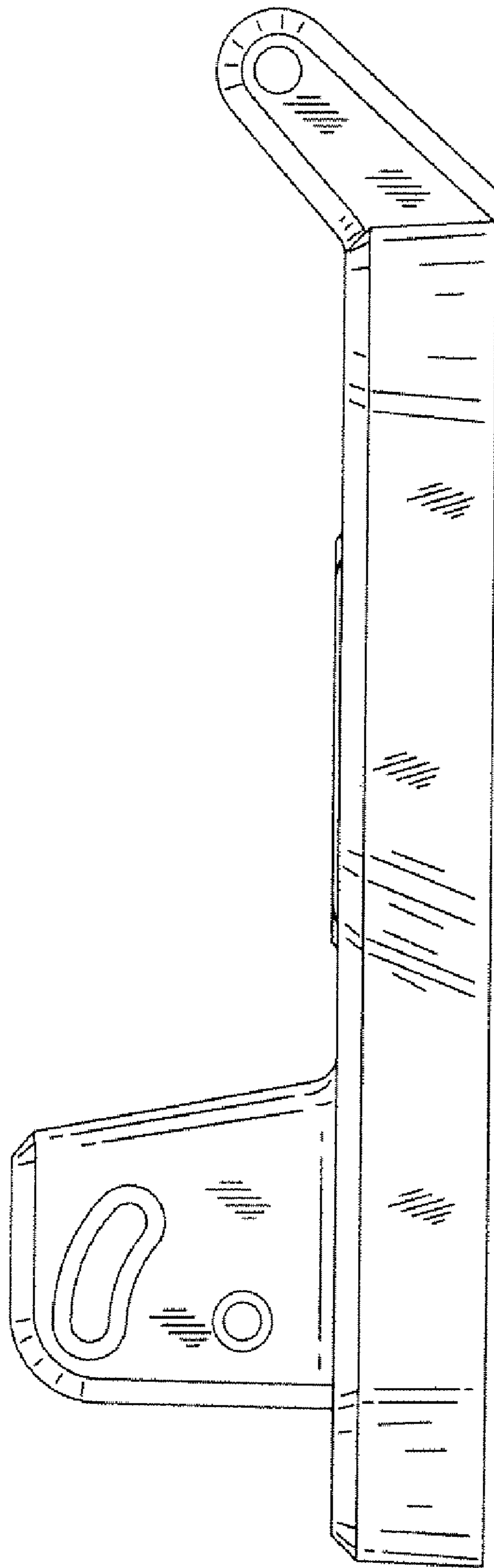


FIG. 2

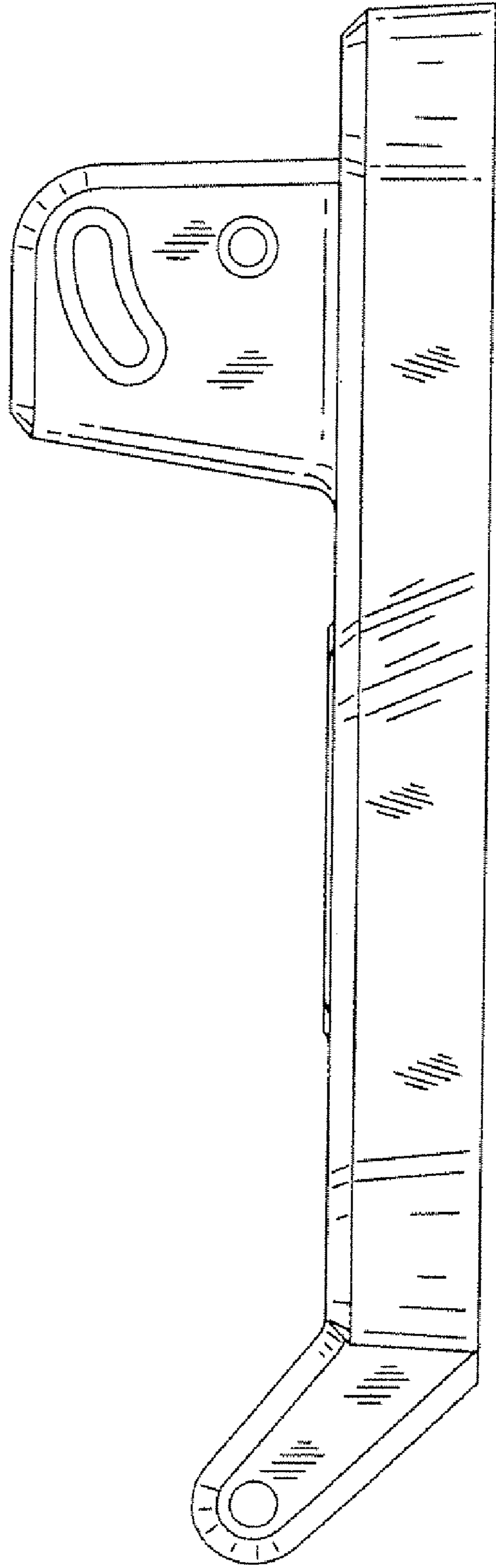


FIG.3

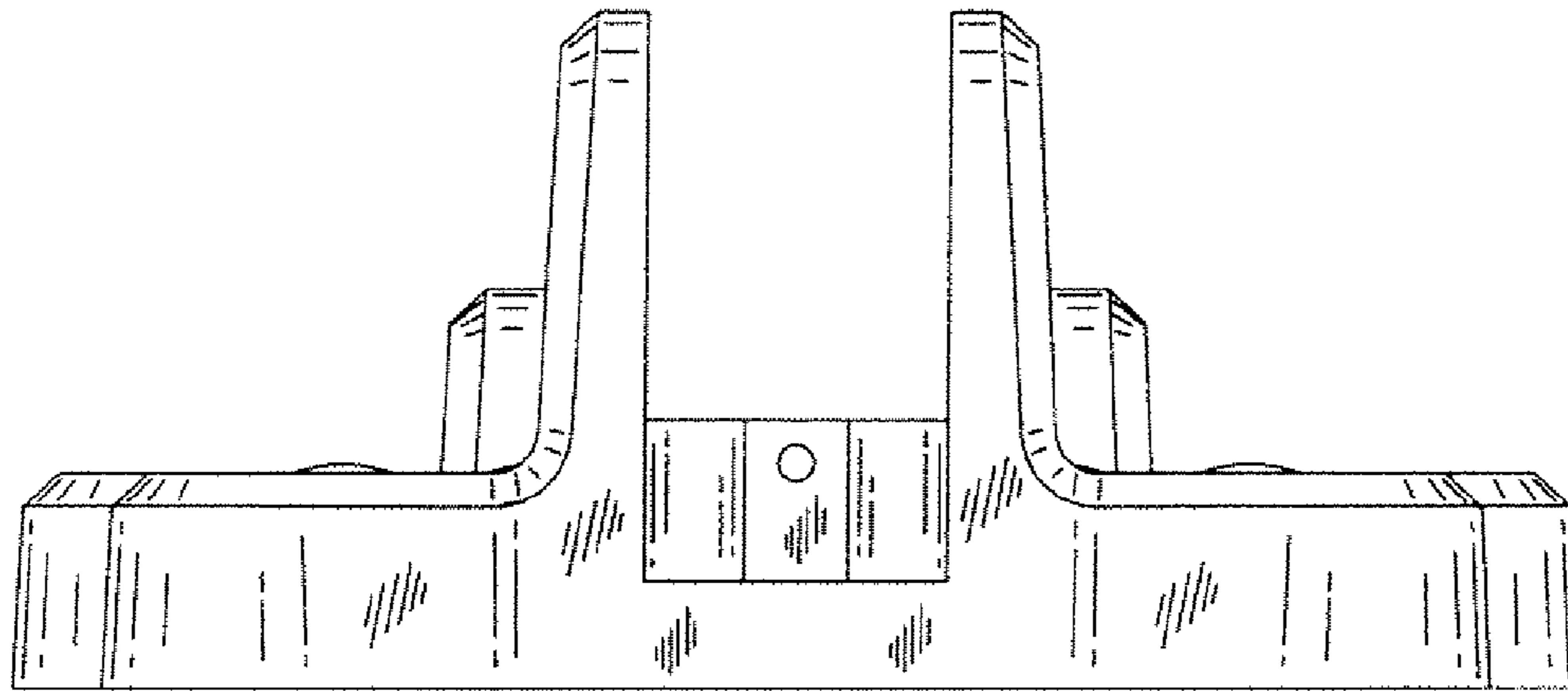


FIG. 4

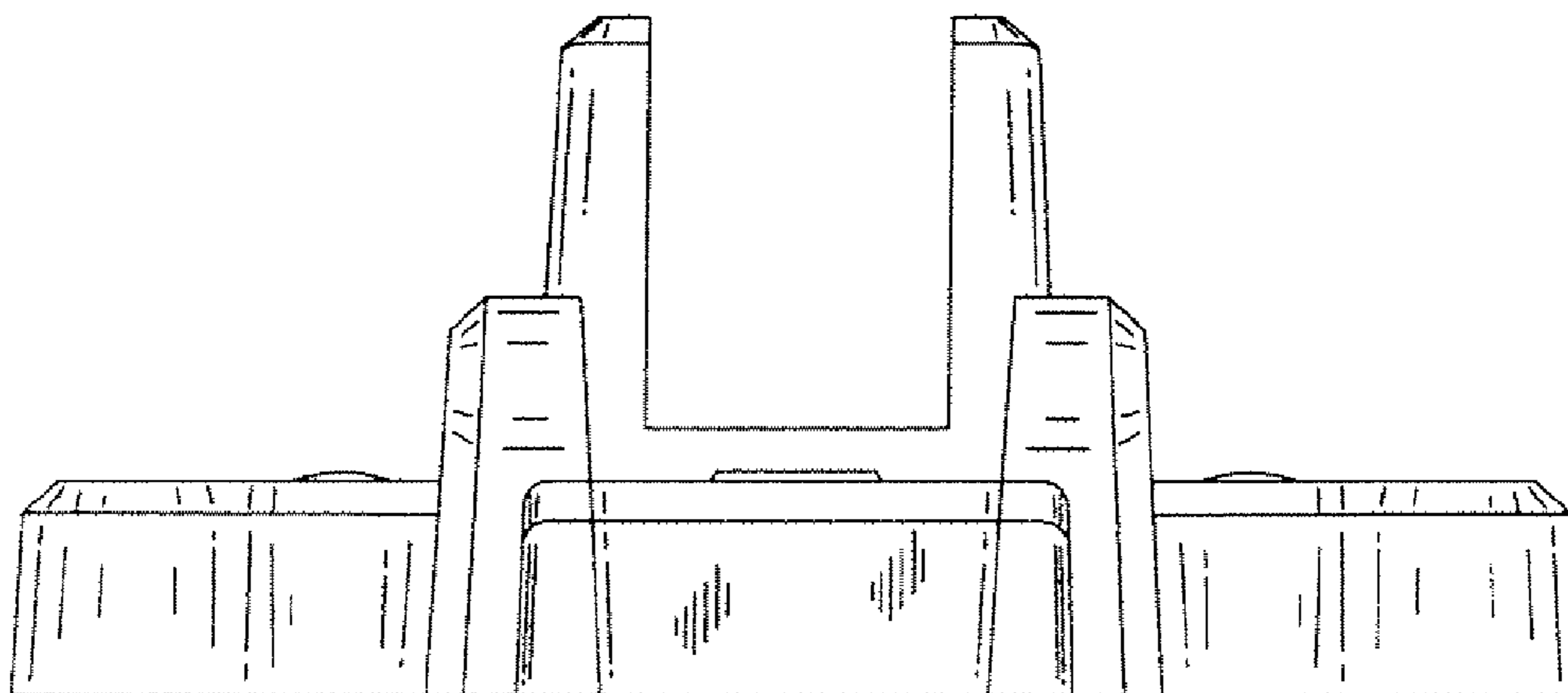


FIG. 5

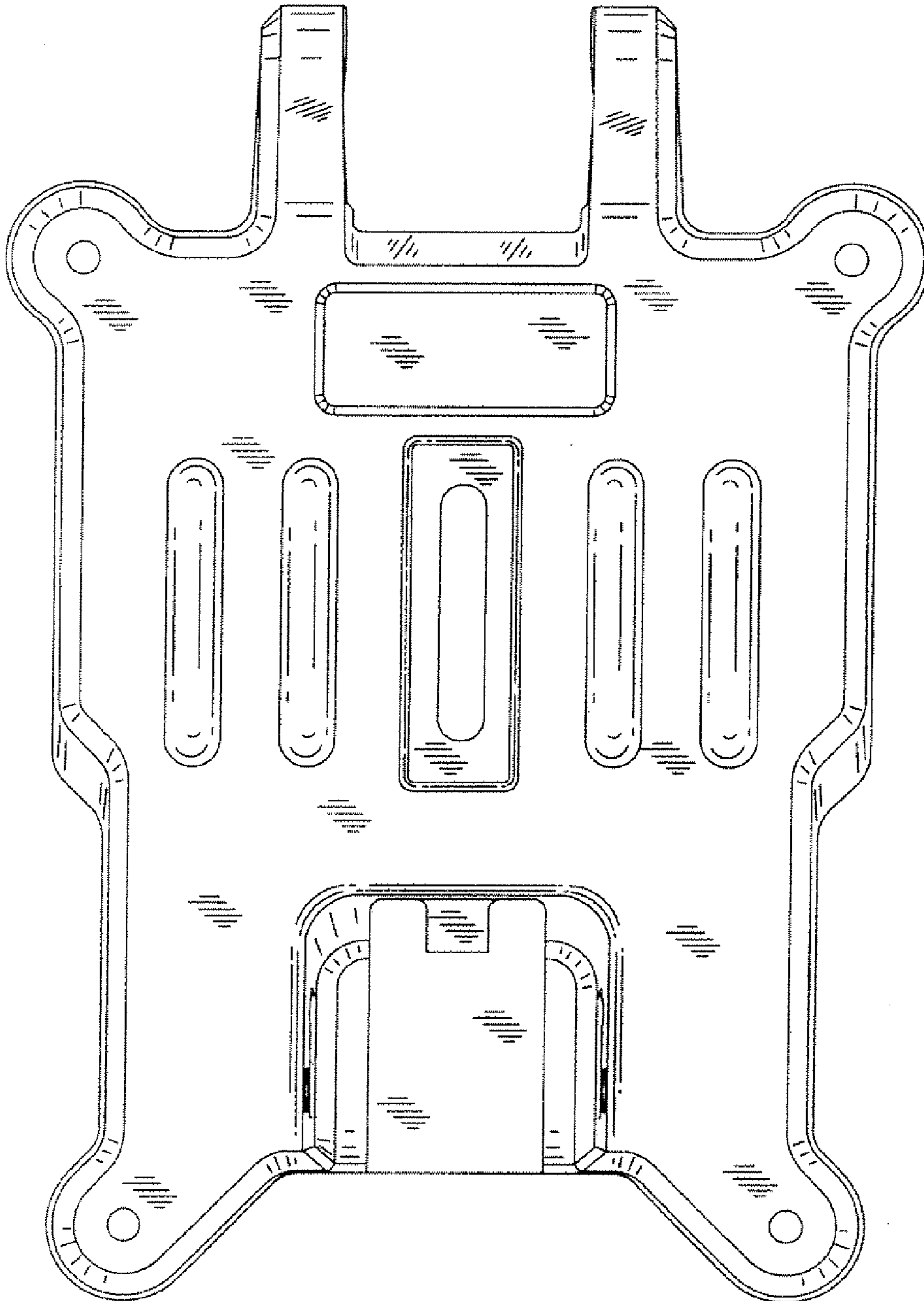


FIG.6

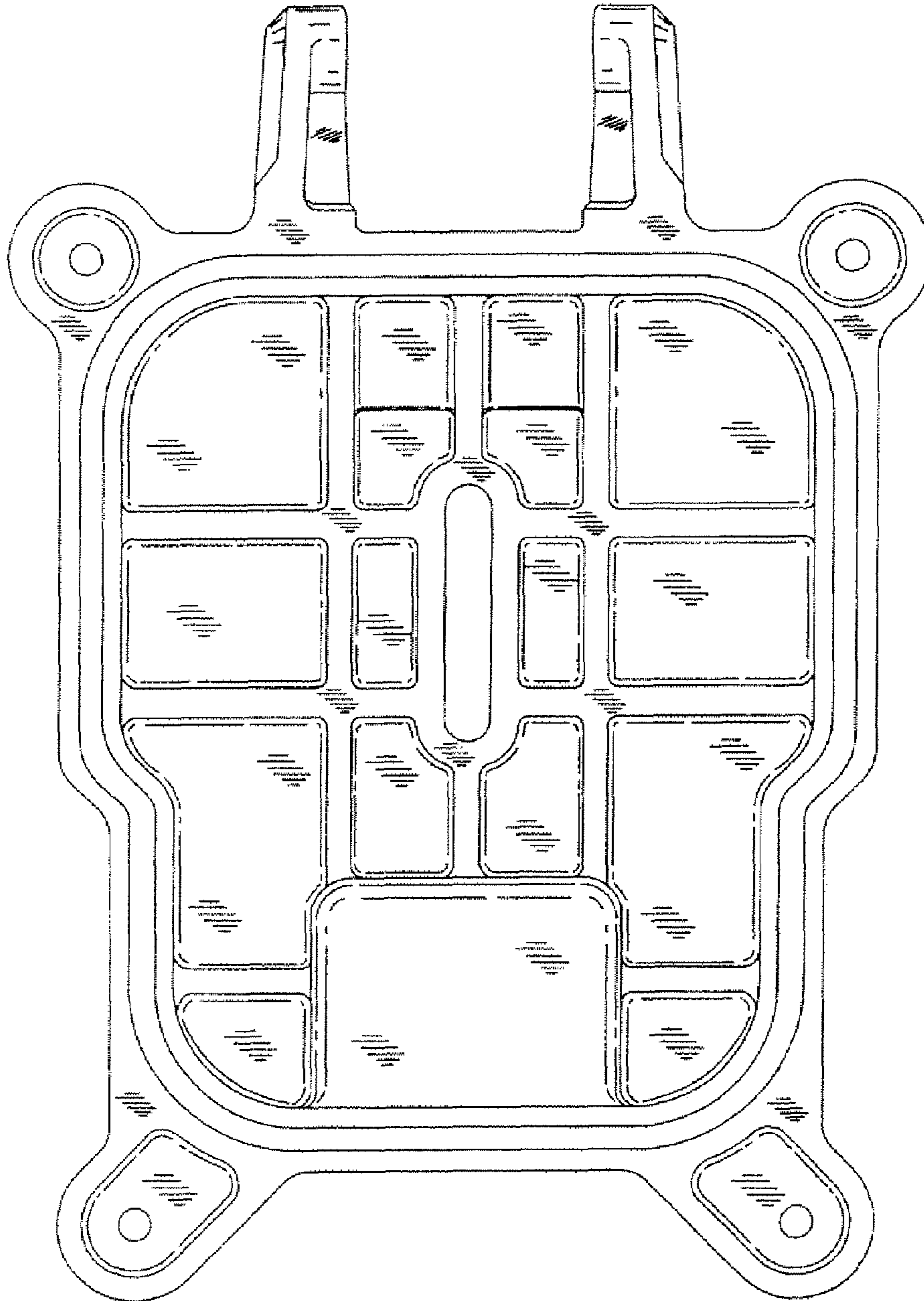


FIG.7