

US00D567050S

(12) **United States Design Patent**
Sell

(10) **Patent No.:** **US D567,050 S**

(45) **Date of Patent:** **** Apr. 22, 2008**

(54) **BASE FOR A DRILL STAND**

(75) Inventor: **Stefan Sell**, Mainz (DE)

(73) Assignee: **Black & Decker Inc.**, Newark, DE
(US)

(**) Term: **14 Years**

(21) Appl. No.: **29/276,895**

(22) Filed: **Feb. 8, 2007**

(30) **Foreign Application Priority Data**

Aug. 11, 2006 (EM) 000574561

(51) **LOC (8) Cl.** **08-05**

(52) **U.S. Cl.** **D8/71**

(58) **Field of Classification Search** D8/70-74,
D8/349, 354, 355, 373, 395, 14; D3/315;
D6/553; D15/130, 132, 135, 136, 138-141,
D15/144.1, 144.2; D19/78; 206/349, 372,
206/373; 211/70.1, 70.6; 220/696; 294/19.1,
294/27.1, 86.4; 299/104, 106; 16/429; 29/527.1,
29/527.5; 248/229.15

See application file for complete search history.

(56) **References Cited**

U.S. PATENT DOCUMENTS

- D109,851 S * 5/1938 Meredith D15/135
- D121,898 S * 8/1940 Ingwer D8/74
- 2,649,000 A * 8/1953 Bice 269/58
- D208,819 S * 10/1967 Stone D15/140
- 3,789,912 A * 2/1974 Rusk et al. 164/243
- D239,002 S * 3/1976 Hildebrandt D8/71
- D273,496 S * 4/1984 House, II D15/132
- D282,241 S * 1/1986 Sauber D8/373
- 4,585,080 A * 4/1986 Bender 175/170
- D284,970 S * 8/1986 Wolff D15/132
- D291,528 S * 8/1987 Degen D8/71

- D343,628 S * 1/1994 Sciholtz D15/136
- D392,534 S * 3/1998 Degen et al. D8/71
- 5,797,708 A * 8/1998 Bencic 408/112
- D406,035 S * 2/1999 Erisoty et al. D8/71
- D406,036 S * 2/1999 Flachslaender et al. D8/74
- D414,669 S * 10/1999 Howard D8/71
- D431,767 S * 10/2000 Jiminez et al. D8/71
- D463,728 S * 10/2002 Johnson D8/349
- D472,566 S * 4/2003 Okada D15/135
- D474,093 S * 5/2003 Chang D8/71
- 6,601,621 B2 * 8/2003 Wixey et al. 144/252.1
- 6,896,136 B2 * 5/2005 Hu 206/378
- D543,604 S * 5/2007 Minneman D22/108
- D549,450 S * 8/2007 Campeau D3/228
- D554,477 S * 11/2007 Conley et al. D8/354

* cited by examiner

Primary Examiner—T. Chase Nelson

Assistant Examiner—Karen Acker

(74) *Attorney, Agent, or Firm*—Michael P. Leary; Charles E. Yocum; Adan Ayala

(57) **CLAIM**

The ornamental design for a base for a drill stand, as shown and described.

DESCRIPTION

FIG. 1 is a top/right perspective view of a base for a drill stand.

FIG. 2 is a right side elevational view thereof.

FIG. 3 is a left side elevational view thereof.

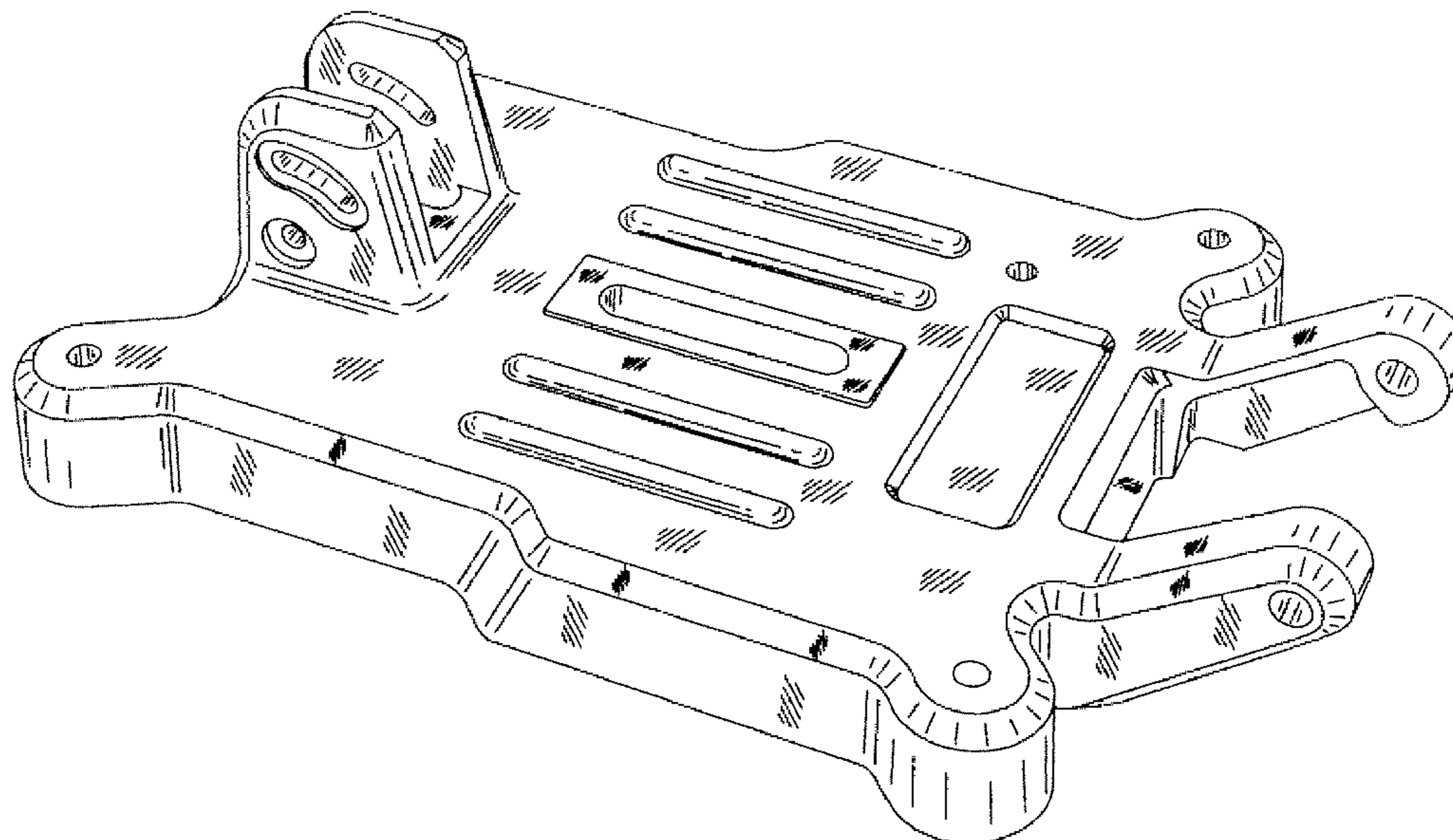
FIG. 4 is a front elevational view thereof.

FIG. 5 is a rear elevational view thereof.

FIG. 6 is a top plan view thereof; and,

FIG. 7 is a bottom plan view thereof.

1 Claim, 6 Drawing Sheets



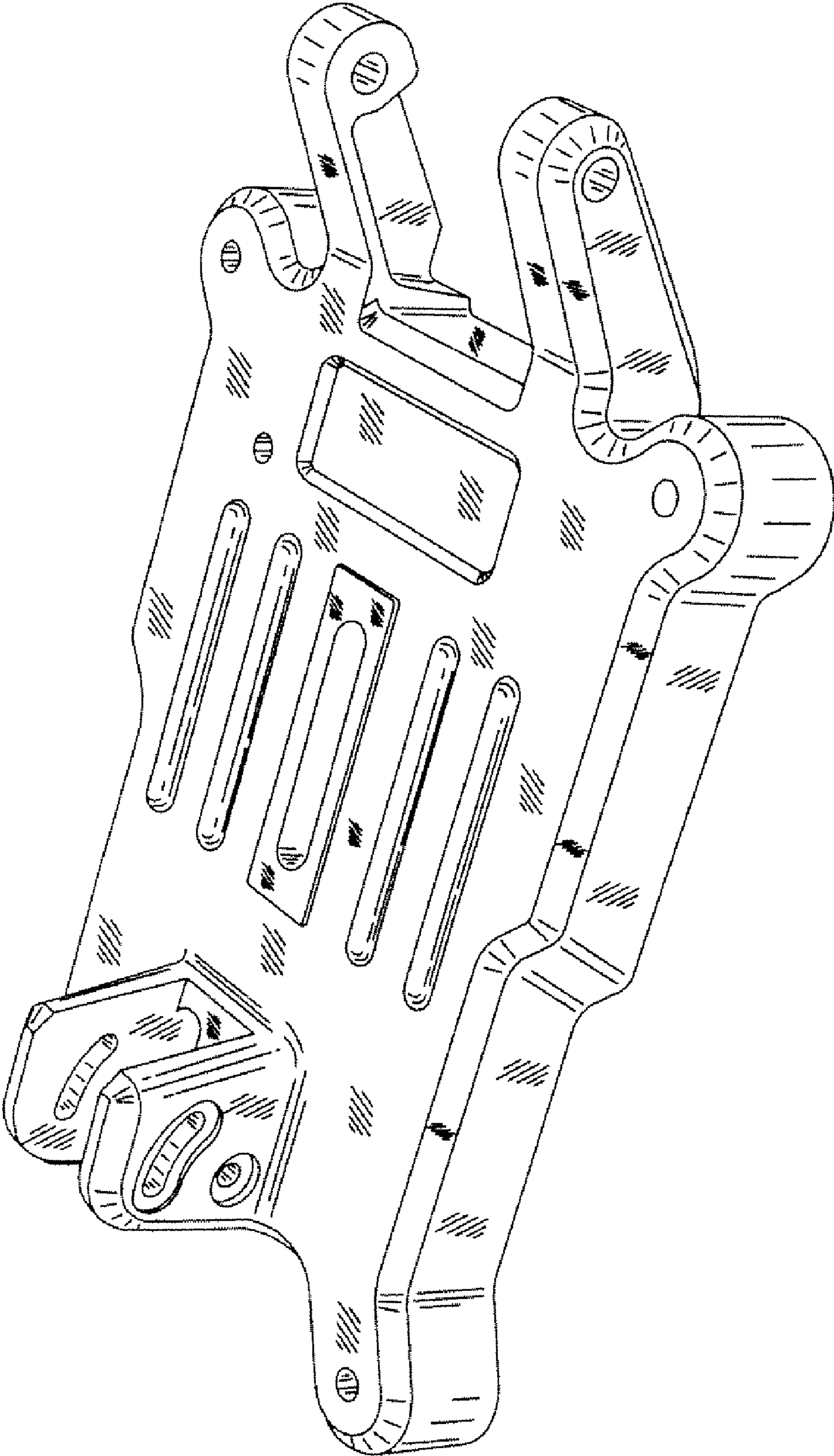


FIG.1

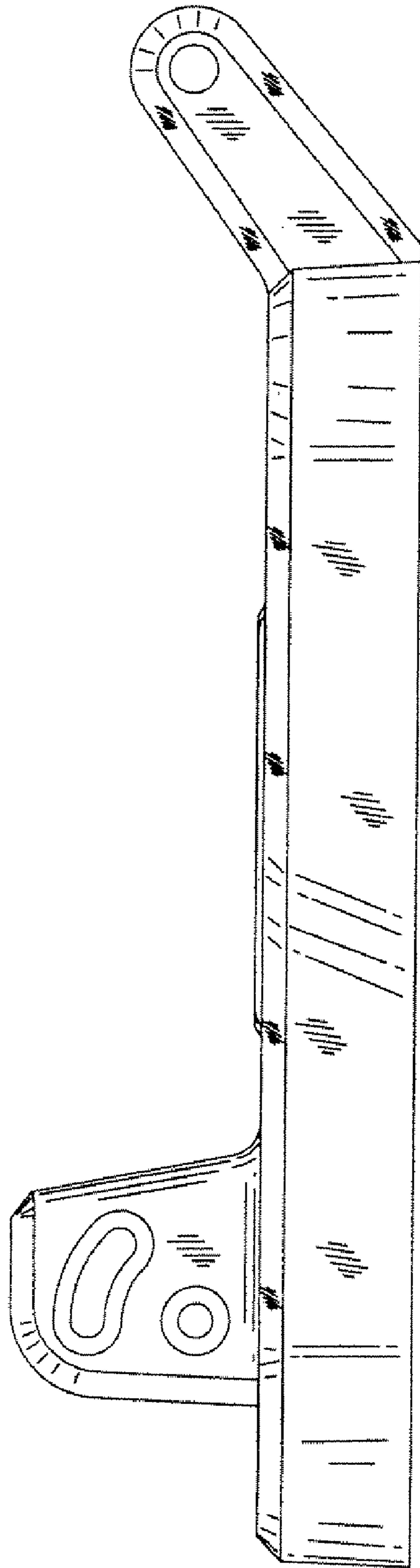


FIG.2

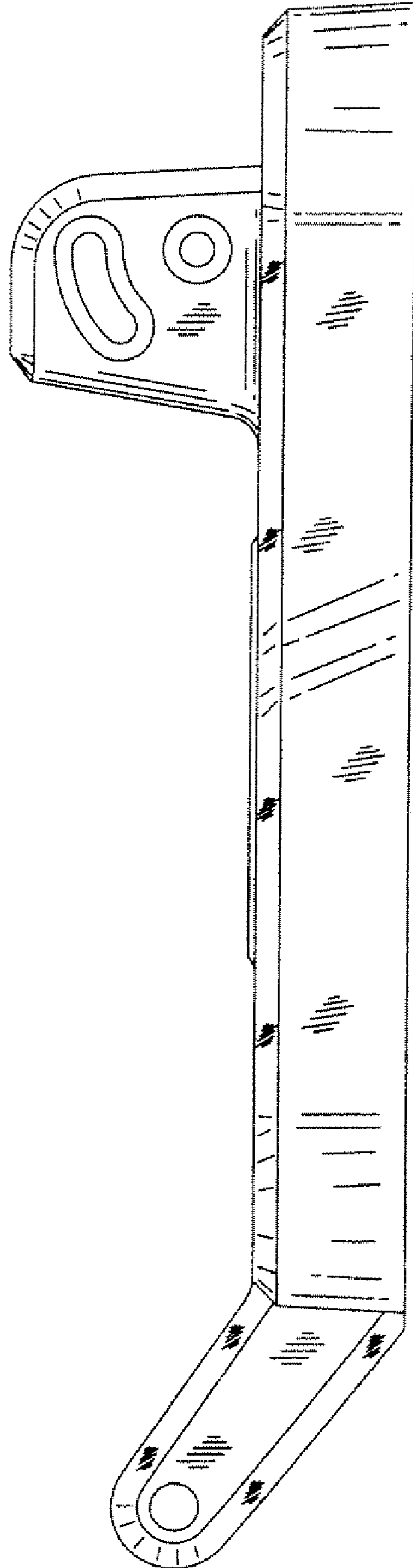


FIG.3

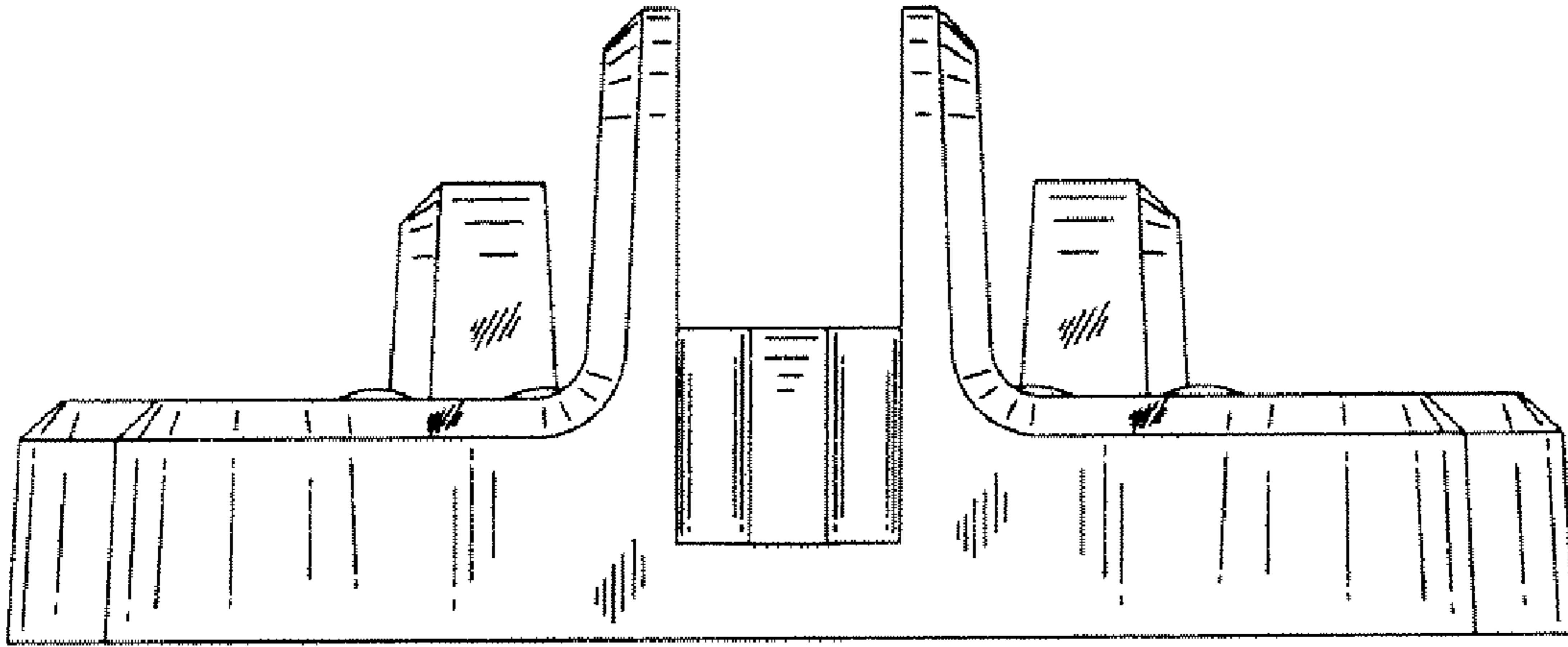


FIG. 4

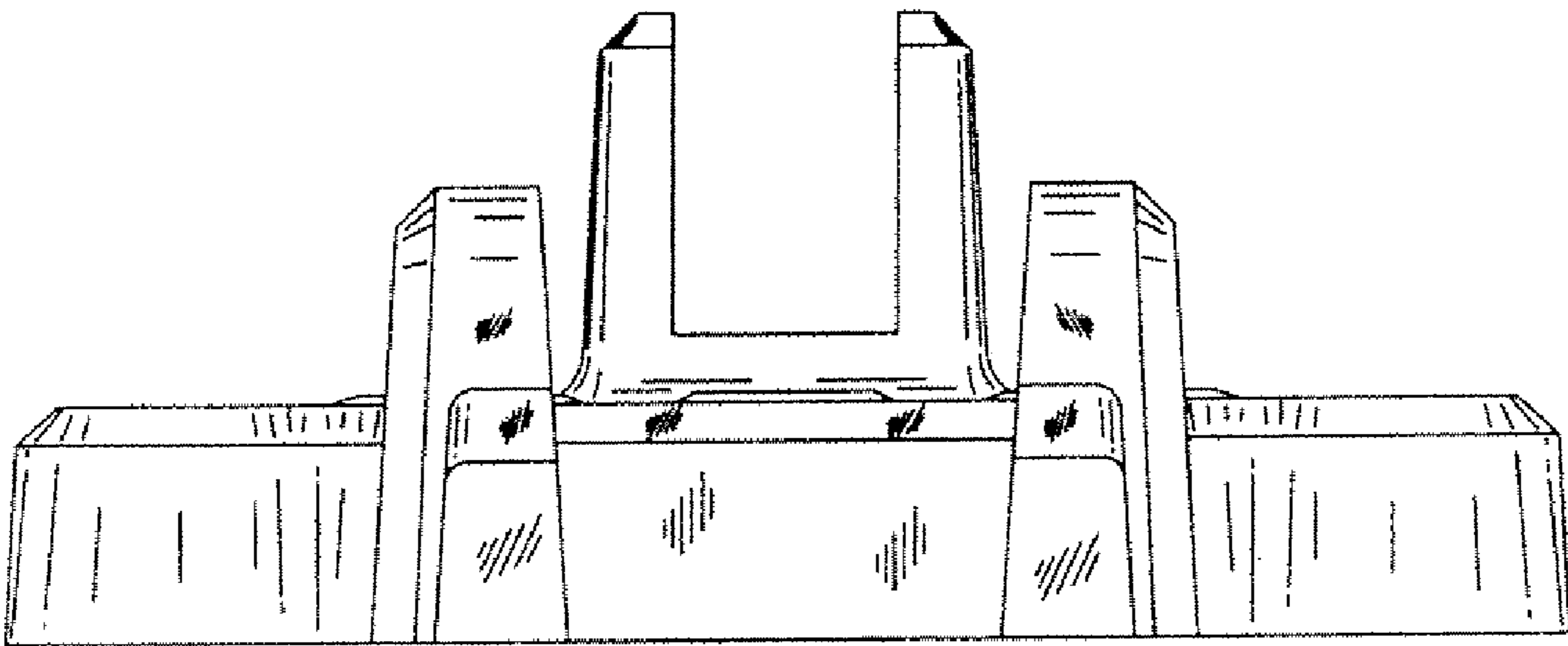


FIG. 5

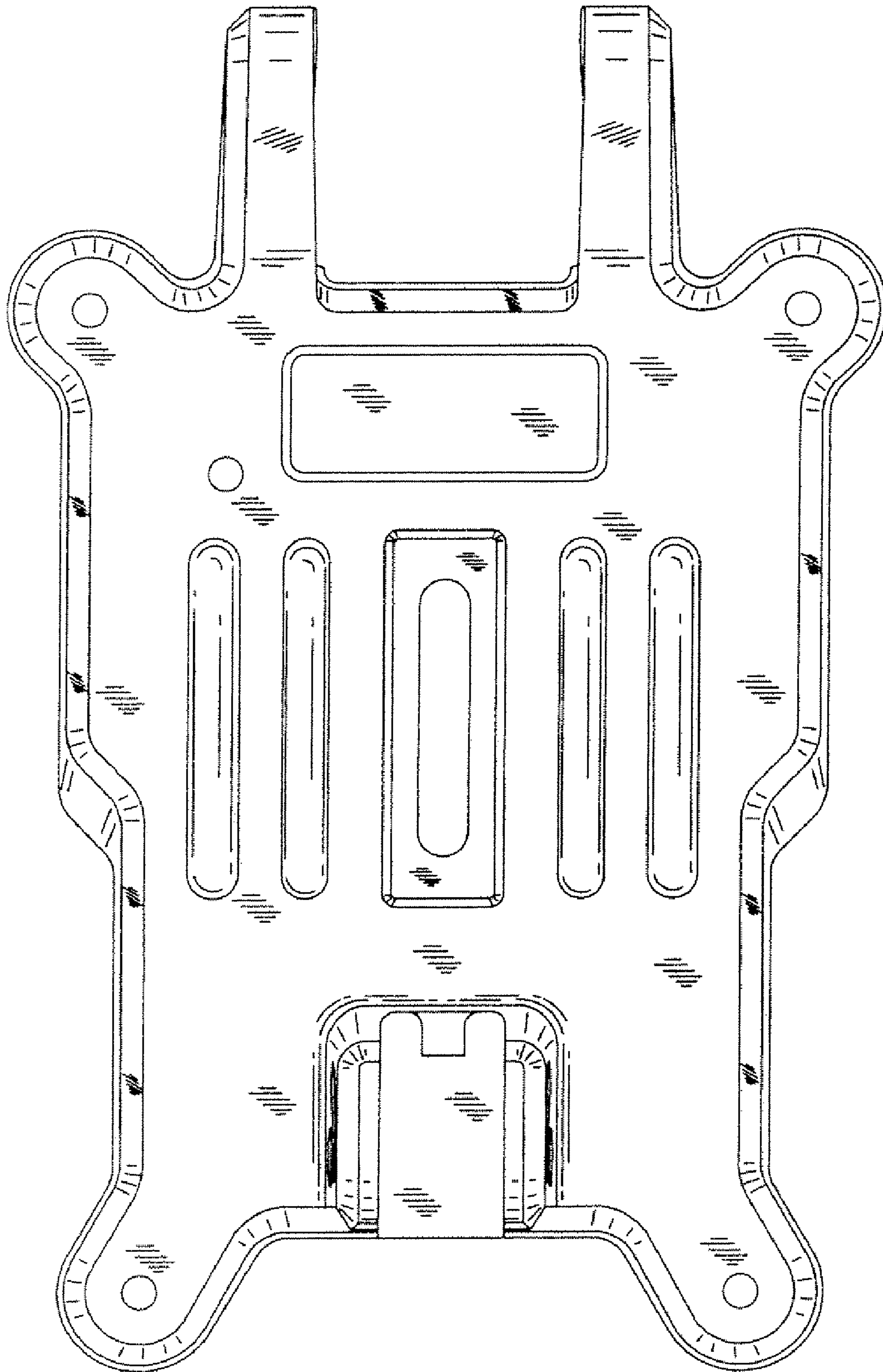


FIG.6

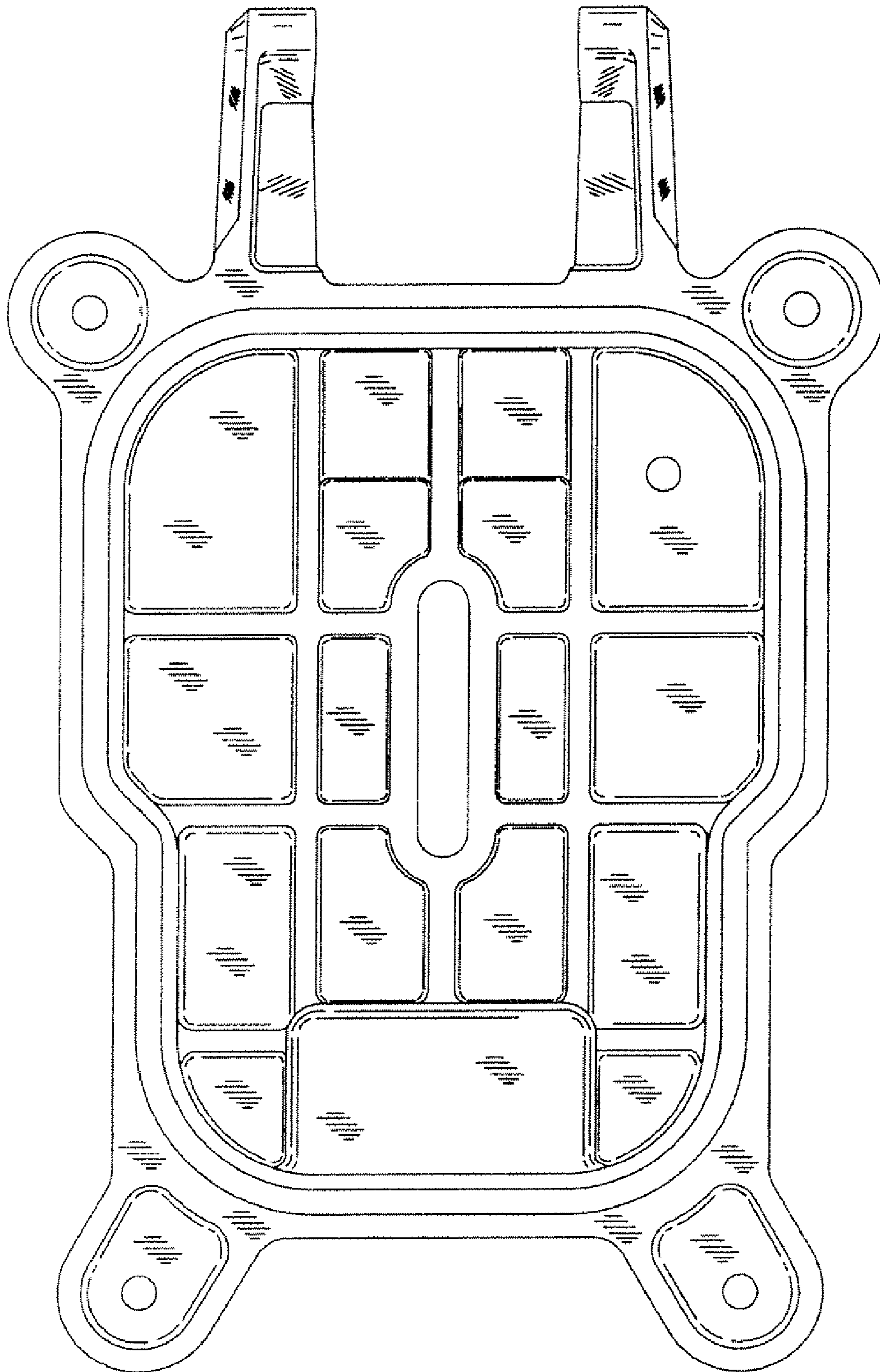


FIG. 7