



US00D567049S

(12) **United States Design Patent**  
**Van Wambeke**

(10) **Patent No.:** **US D567,049 S**  
(45) **Date of Patent:** **\*\* Apr. 22, 2008**

(54) **SPIRAL SAW**

(75) Inventor: **Weston J. Van Wambeke**, Towson,  
MD (US)

(73) Assignee: **Black & Decker Inc.**, Newark, DE  
(US)

(\*\*) Term: **14 Years**

(21) Appl. No.: **29/284,989**

(22) Filed: **Sep. 19, 2007**

(51) **LOC (8) Cl.** ..... **08-03**

(52) **U.S. Cl.** ..... **D8/64**

(58) **Field of Classification Search** ..... D8/61,  
D8/62, 68, 70, 64; 81/57.11, 57.13, 57.14,  
81/57.26, 57.29, 57.39, 57.42, 63.1, 429,  
81/464, 467, 469, 470, 473; 173/168, 169,  
173/170, 176, 177, 178, 181, 216, 217; 73/862.21;  
310/50; 409/182; D24/146  
See application file for complete search history.

(56) **References Cited**

**U.S. PATENT DOCUMENTS**

5,829,931	A *	11/1998	Doumani	.....	409/182
5,902,080	A	5/1999	Kopras		
D437,757	S	2/2001	Thomson et al.		
D438,076	S *	2/2001	Wikle et al.	.....	D8/61
D439,484	S	3/2001	Adler et al.		
D477,758	S	7/2003	Chunn et al.		
D478,260	S *	8/2003	Heun	.....	D8/61
D478,487	S *	8/2003	Heun	.....	D8/61

D481,919	S	11/2003	Sham et al.		
D484,763	S *	1/2004	Sham et al.	.....	D8/64
D488,366	S *	4/2004	Seinen	.....	D8/64
D526,176	S	8/2006	Lopano et al.		
D527,964	S	9/2006	Riley et al.		
D528,099	S	9/2006	Riley et al.		
7,261,166	B2 *	8/2007	Baber et al.	.....	173/217
2002/0131834	A1 *	9/2002	Lui et al.	.....	408/124

\* cited by examiner

*Primary Examiner*—Cathron C. Brooks

*Assistant Examiner*—Austin Murphy

(74) *Attorney, Agent, or Firm*—Bruce S. Shapiro; John Yun;  
Wesley W. Muller

(57) **CLAIM**

The ornamental design for a spiral saw, as shown and described.

**DESCRIPTION**

FIG. 1 is a left side perspective view of a spiral saw.

FIG. 2 is a rear view thereof.

FIG. 3 is a front view thereof.

FIG. 4 is a right side view thereof.

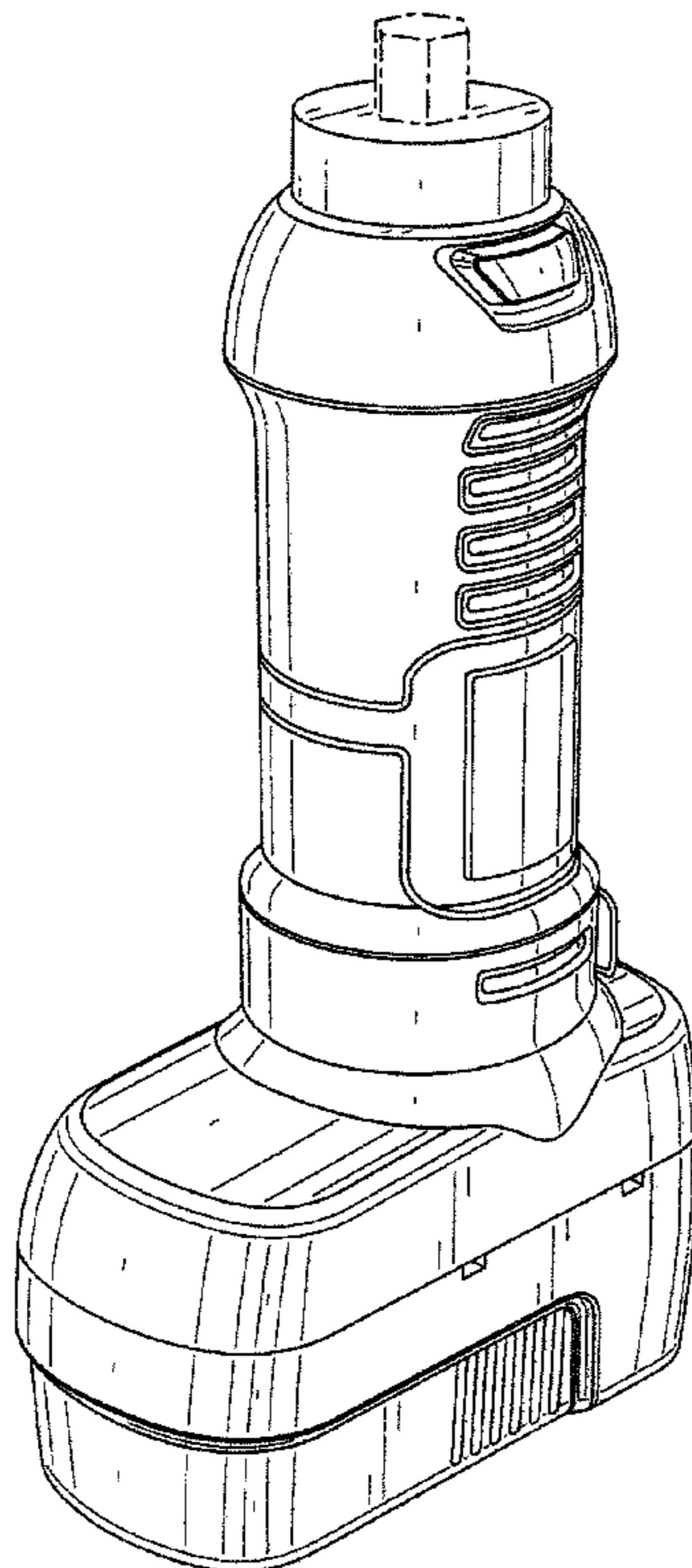
FIG. 5 is a left side view thereof.

FIG. 6 is a top view thereof; and,

FIG. 7 is a bottom view thereof.

The broken lines are for illustrative purposes only and form no part of the claimed design.

**1 Claim, 7 Drawing Sheets**



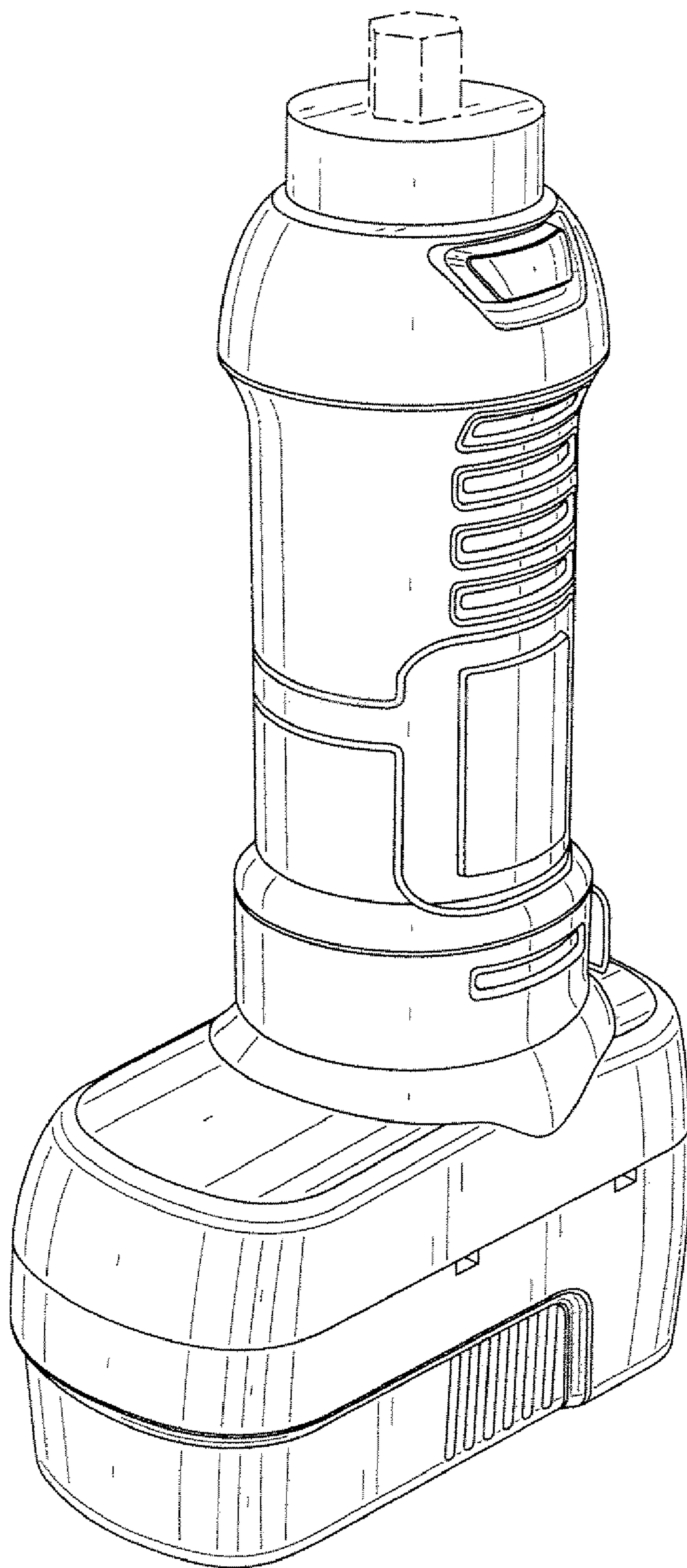


FIG. 1

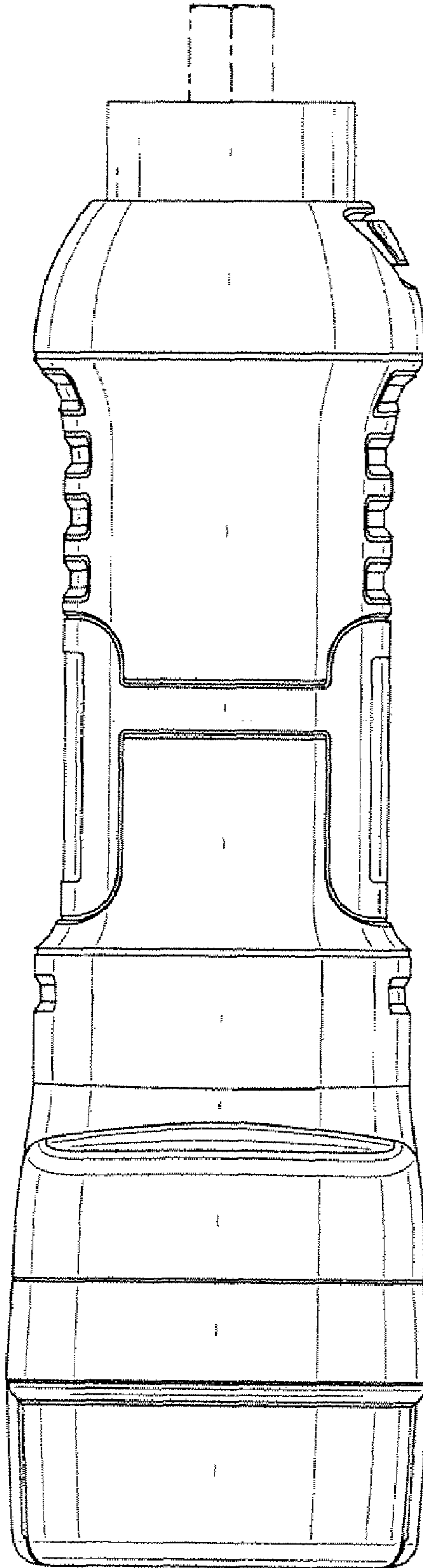


FIG. 2

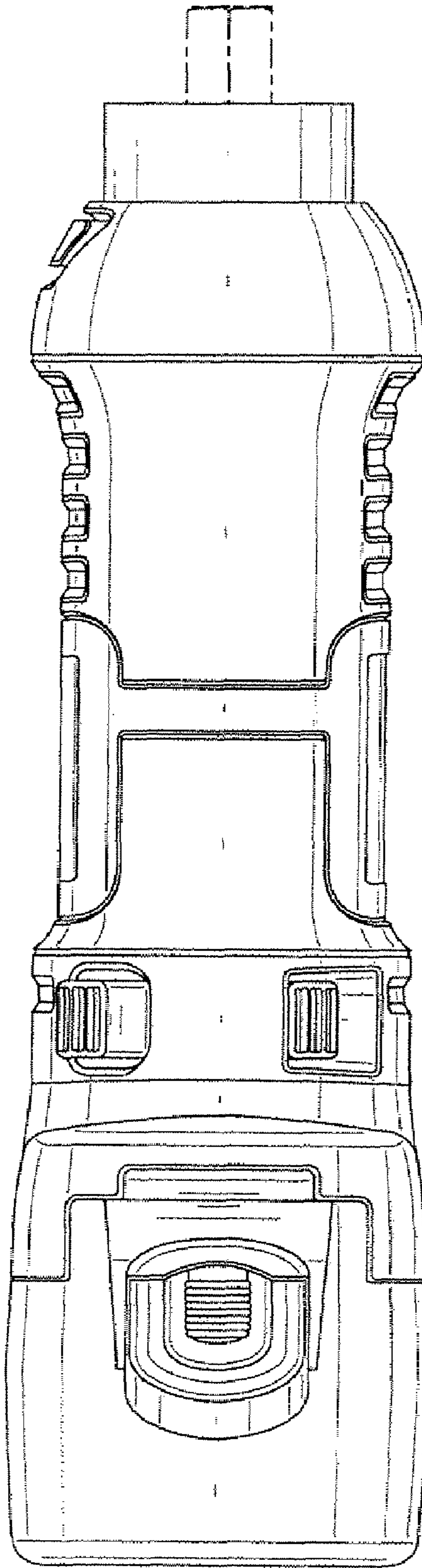


FIG. 3

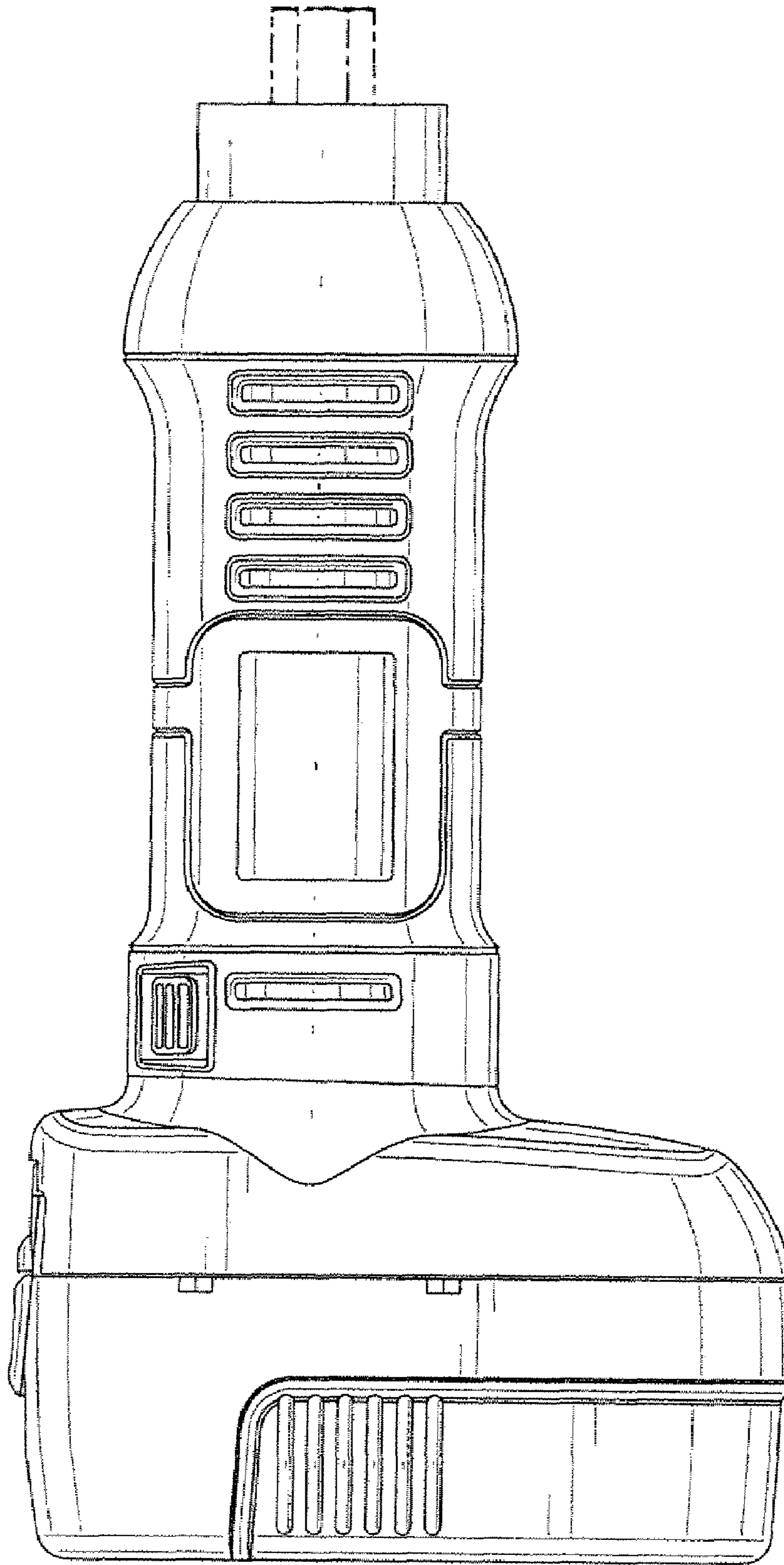


FIG. 4

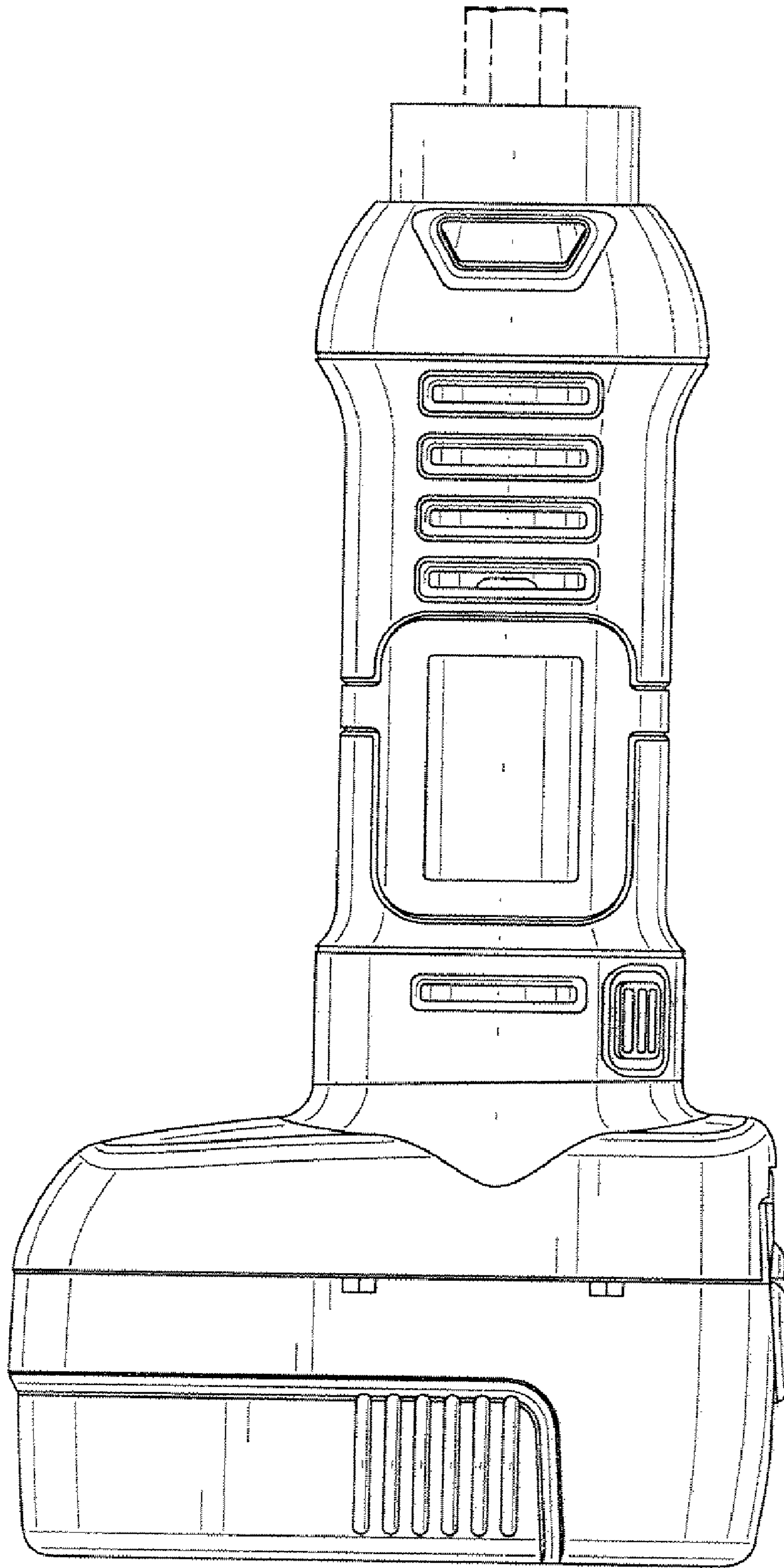


FIG. 5

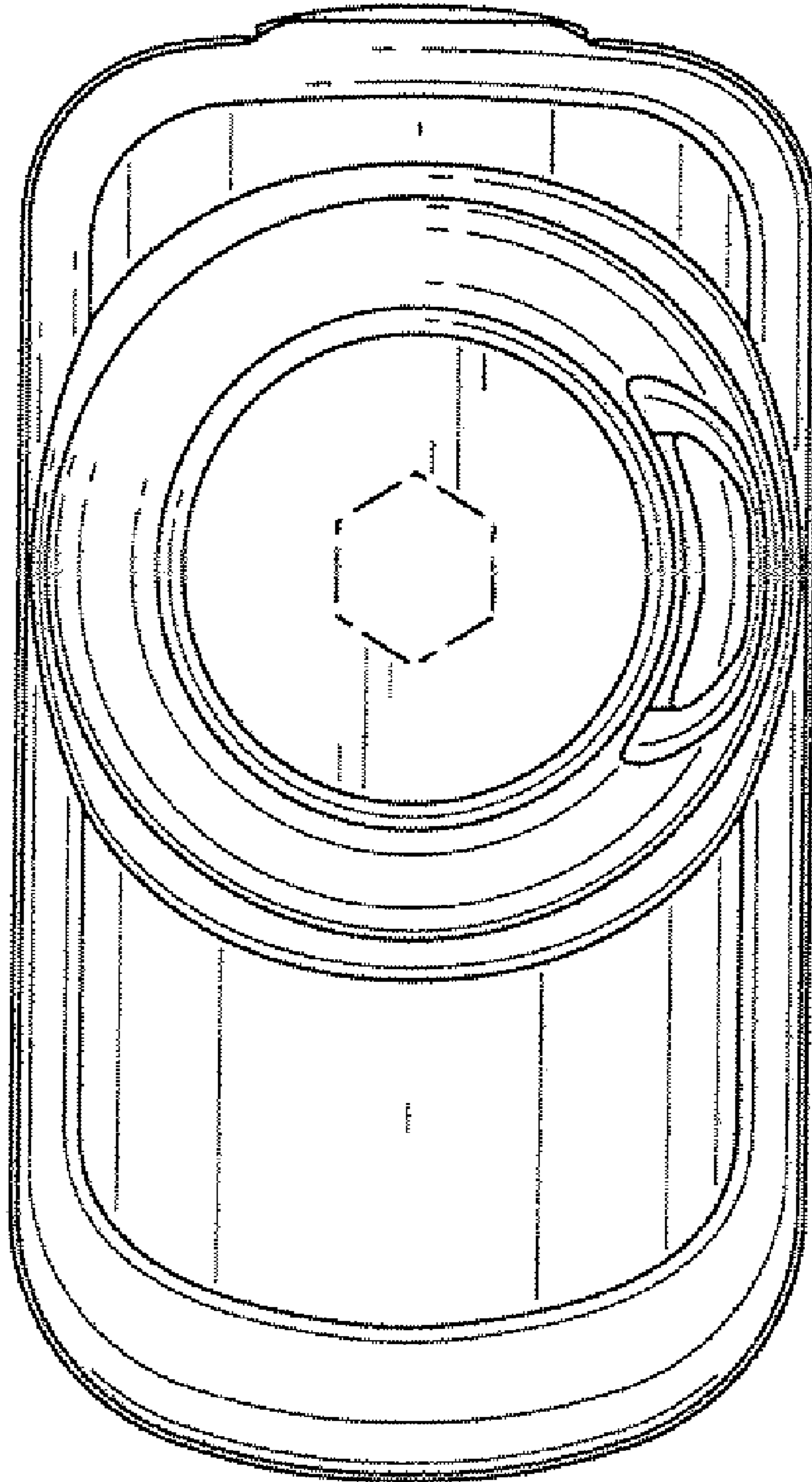


FIG. 6

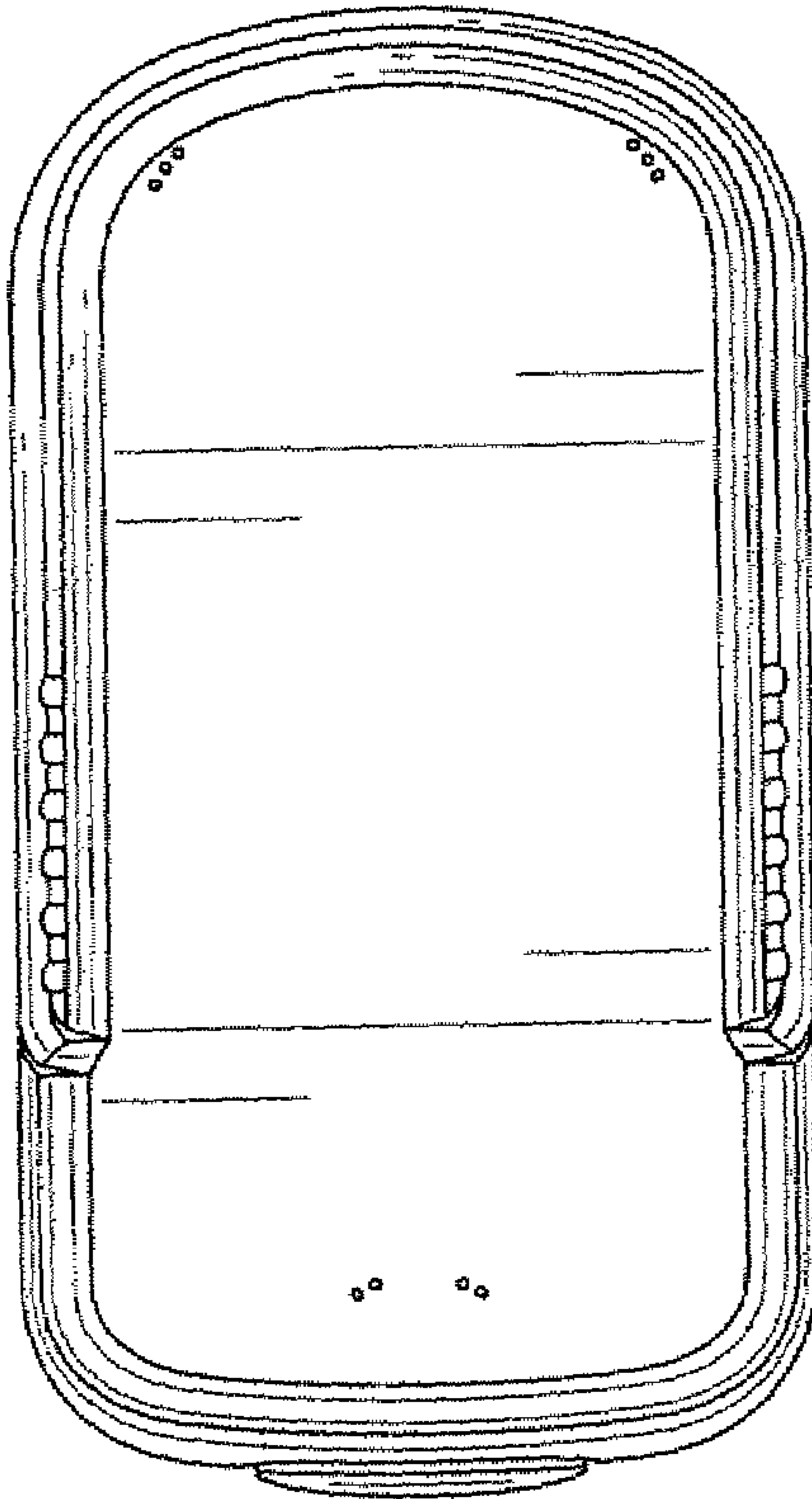


FIG. 7