



US00D567047S

(12) **United States Design Patent**  
**Okuda et al.**

(10) **Patent No.:** **US D567,047 S**

(45) **Date of Patent:** **\*\* Apr. 22, 2008**

(54) **PORTABLE ELECTRIC SANDER**

(75) Inventors: **Shinsuke Okuda**, Anjo (JP); **Hirokazu Hagiwara**, Anjo (JP)

(73) Assignee: **Makita Corporation**, Anjo (JP)

(\*\*) Term: **14 Years**

(21) Appl. No.: **29/287,443**

(22) Filed: **Aug. 9, 2007**

(51) **LOC (8) Cl.** ..... **08-01**

(52) **U.S. Cl.** ..... **D8/62**

(58) **Field of Classification Search** ..... D8/67,  
D8/62, 61; D32/15, 17, 19; D4/102; 451/456,  
451/451, 359, 358, 357, 356, 355, 354, 353,  
451/351, 344

See application file for complete search history.

(56) **References Cited**

**U.S. PATENT DOCUMENTS**

D286,736 S *	11/1986	Somers	.....	D8/62
D310,007 S *	8/1990	Saito et al.	.....	D8/62
D317,244 S *	6/1991	Bunyea	.....	D8/62
D323,963 S *	2/1992	Bunyea	.....	D8/62
D329,362 S *	9/1992	Saito et al.	.....	D8/62
D352,437 S *	11/1994	Chunn et al.	.....	D8/62
D376,304 S	12/1996	Clowers et al.		
D408,245 S *	4/1999	Evans et al.	.....	D8/62
D448,262 S *	9/2001	Heun	.....	D8/62
D468,178 S *	1/2003	Wright et al.	.....	D8/62

D478,488 S *	8/2003	Bruno et al.	.....	D8/62
D498,399 S *	11/2004	Wu	.....	D8/62
D507,731 S *	7/2005	Robson	.....	D8/62
D509,722 S	9/2005	Wikle et al.		
D510,849 S *	10/2005	Carlson et al.	.....	D8/62
D527,595 S *	9/2006	Wikle	.....	D8/62
D528,886 S *	9/2006	Heun	.....	D8/62
D538,122 S *	3/2007	Etter et al.	.....	D8/62
D548,556 S *	8/2007	Stratford	.....	D8/62

\* cited by examiner

*Primary Examiner*—Cathron C. Brooks

*Assistant Examiner*—Austin Murphy

(74) *Attorney, Agent, or Firm*—Oliff & Berridge, PLC

(57) **CLAIM**

The ornamental design for a portable electric sander, as shown and described.

**DESCRIPTION**

FIG. 1 is a perspective view of top, front and left side of a portable electric sander showing our new design;

FIG. 2 is a front view thereof;

FIG. 3 is a rear view thereof;

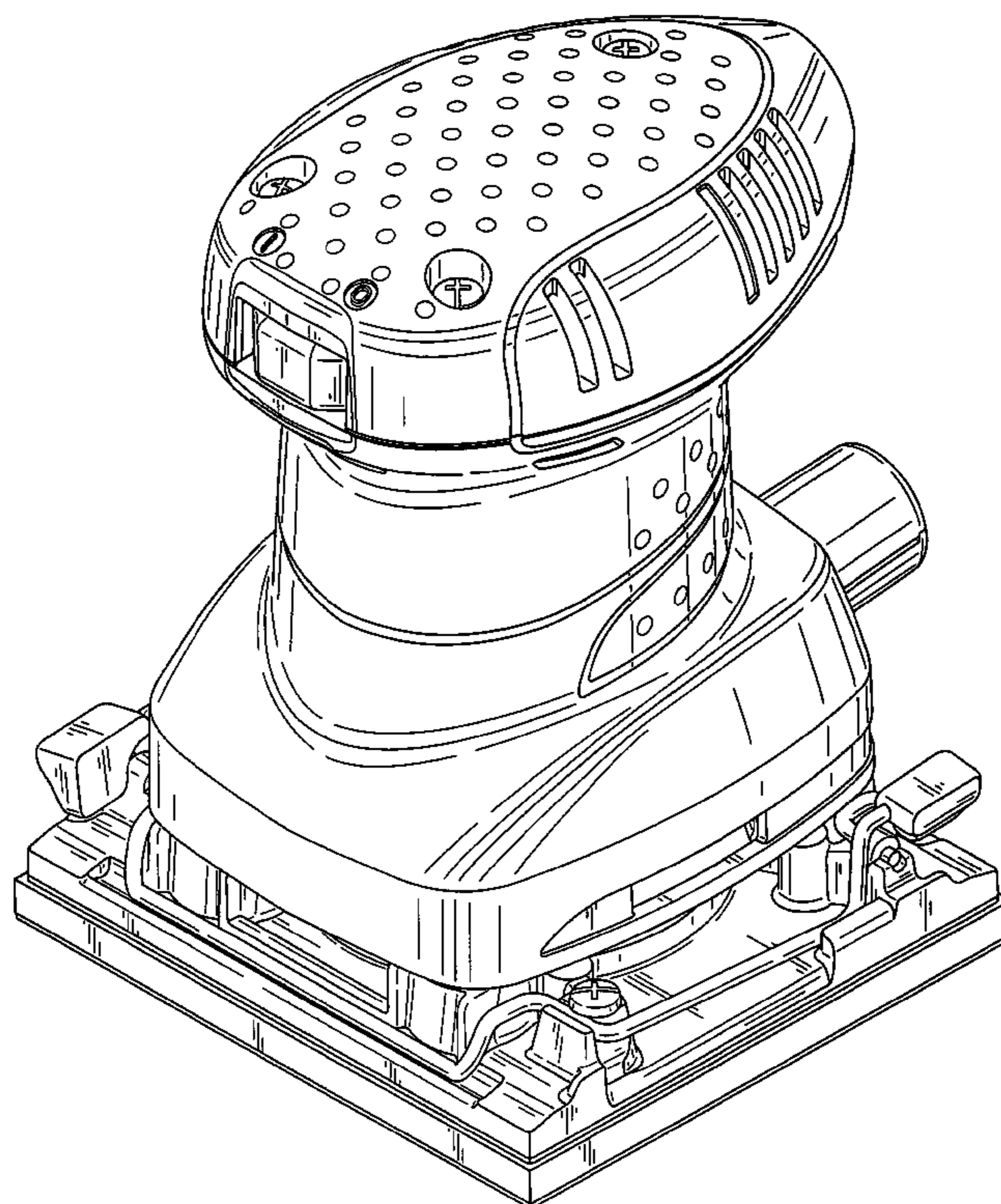
FIG. 4 is a top plan view thereof;

FIG. 5 is a bottom view thereof;

FIG. 6 is a left side view thereof; and,

FIG. 7 is a right side view thereof.

**1 Claim, 7 Drawing Sheets**



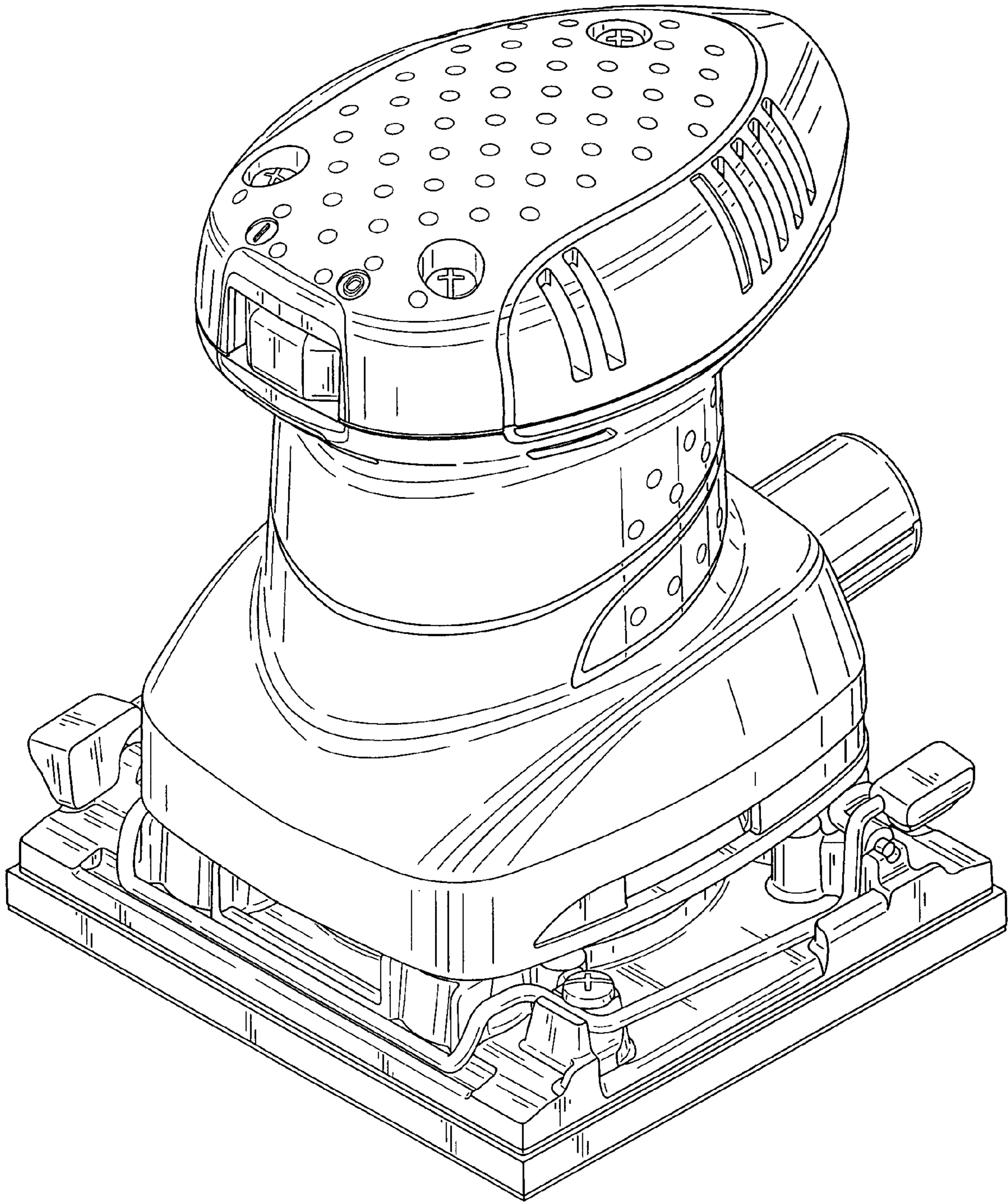
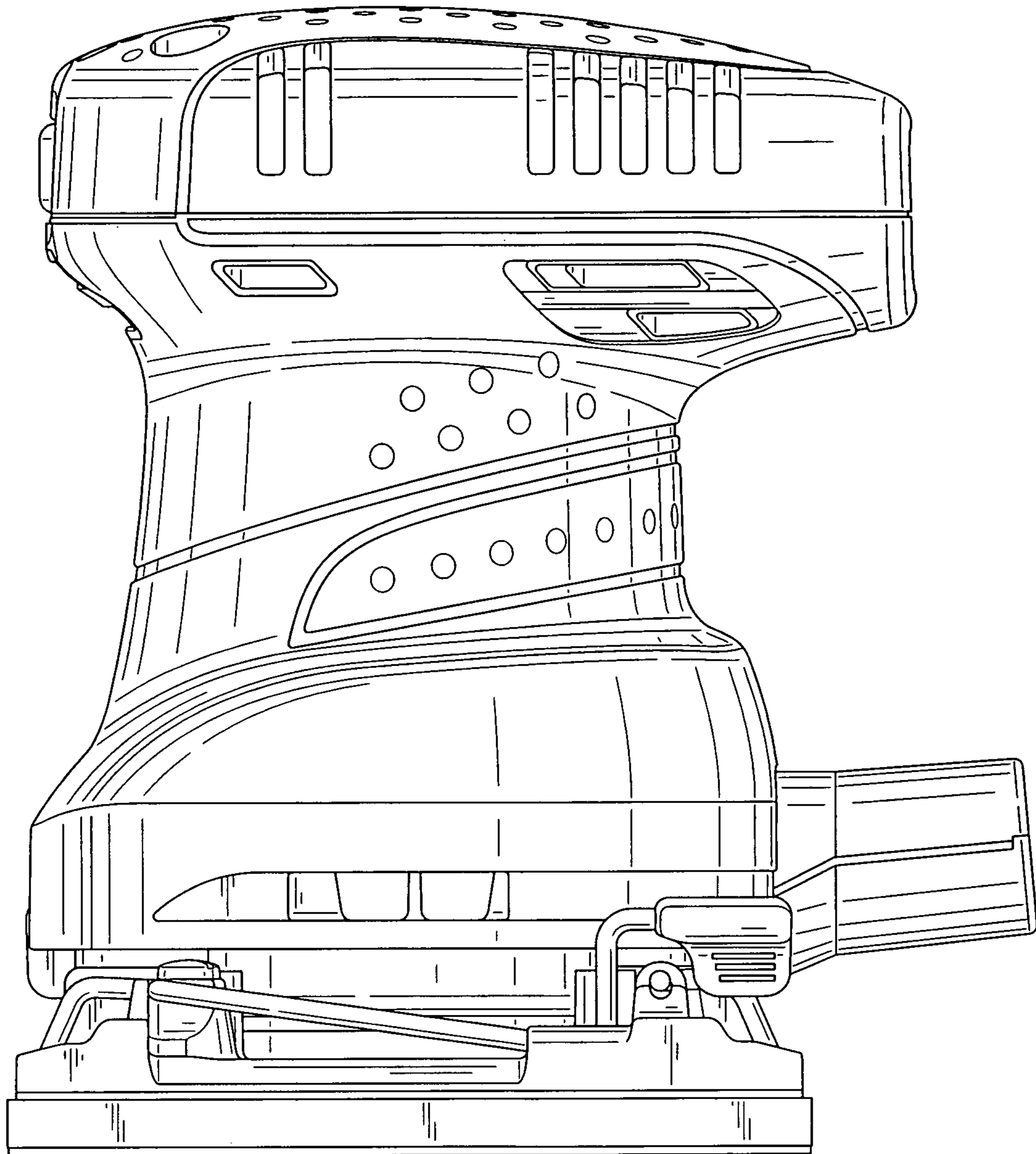


FIG. 1





*FIG. 2*

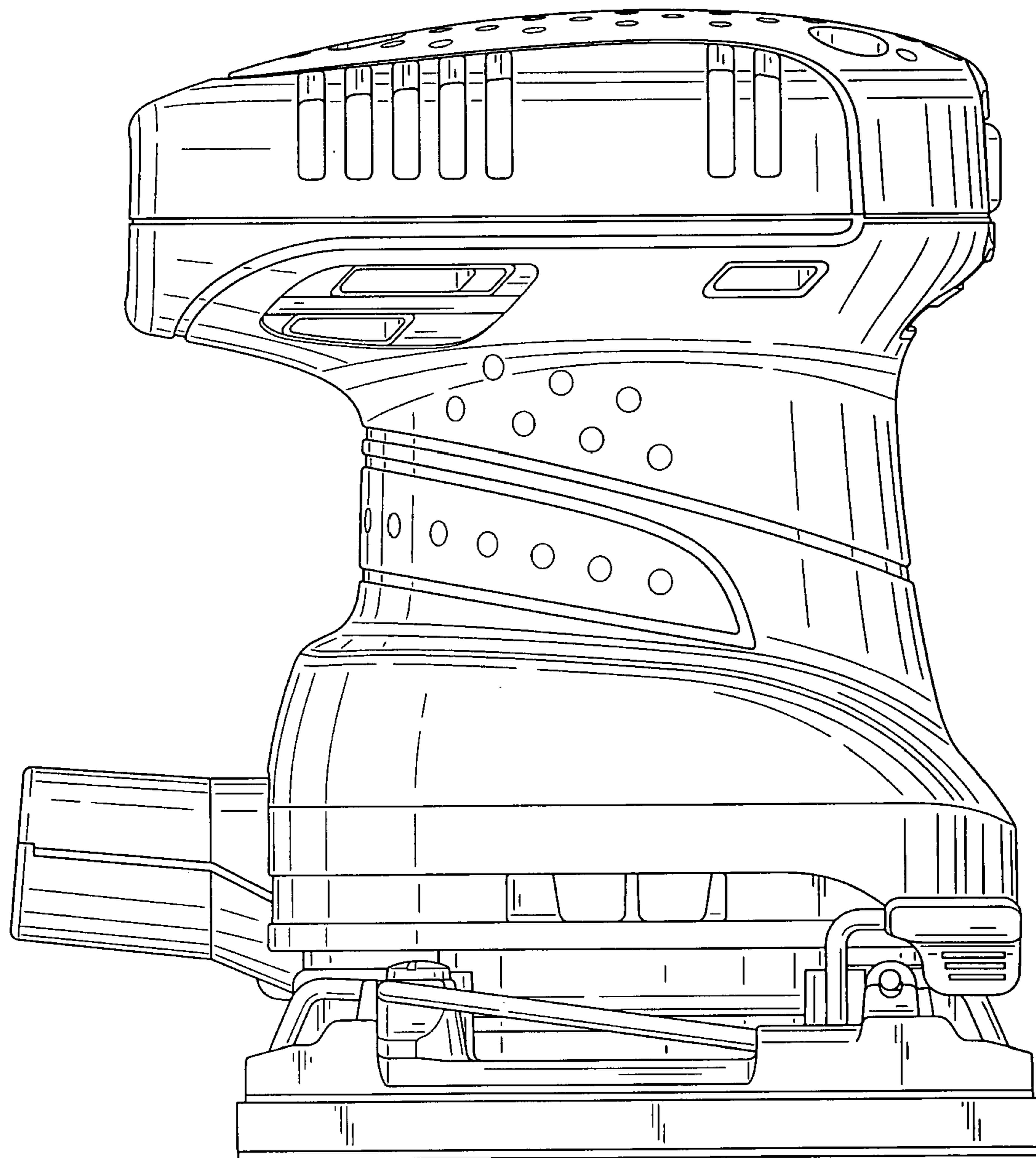


FIG. 3

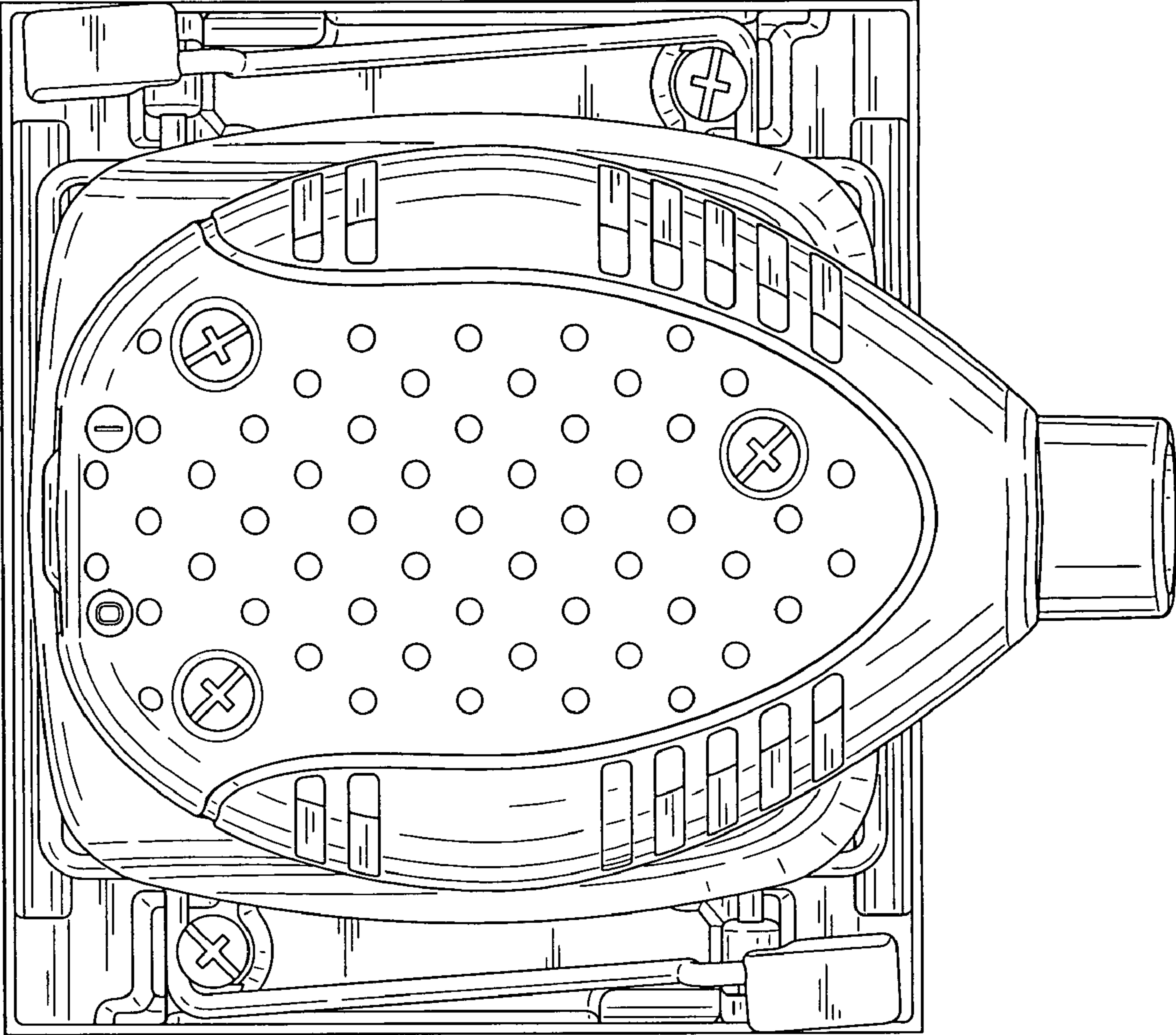


FIG. 4

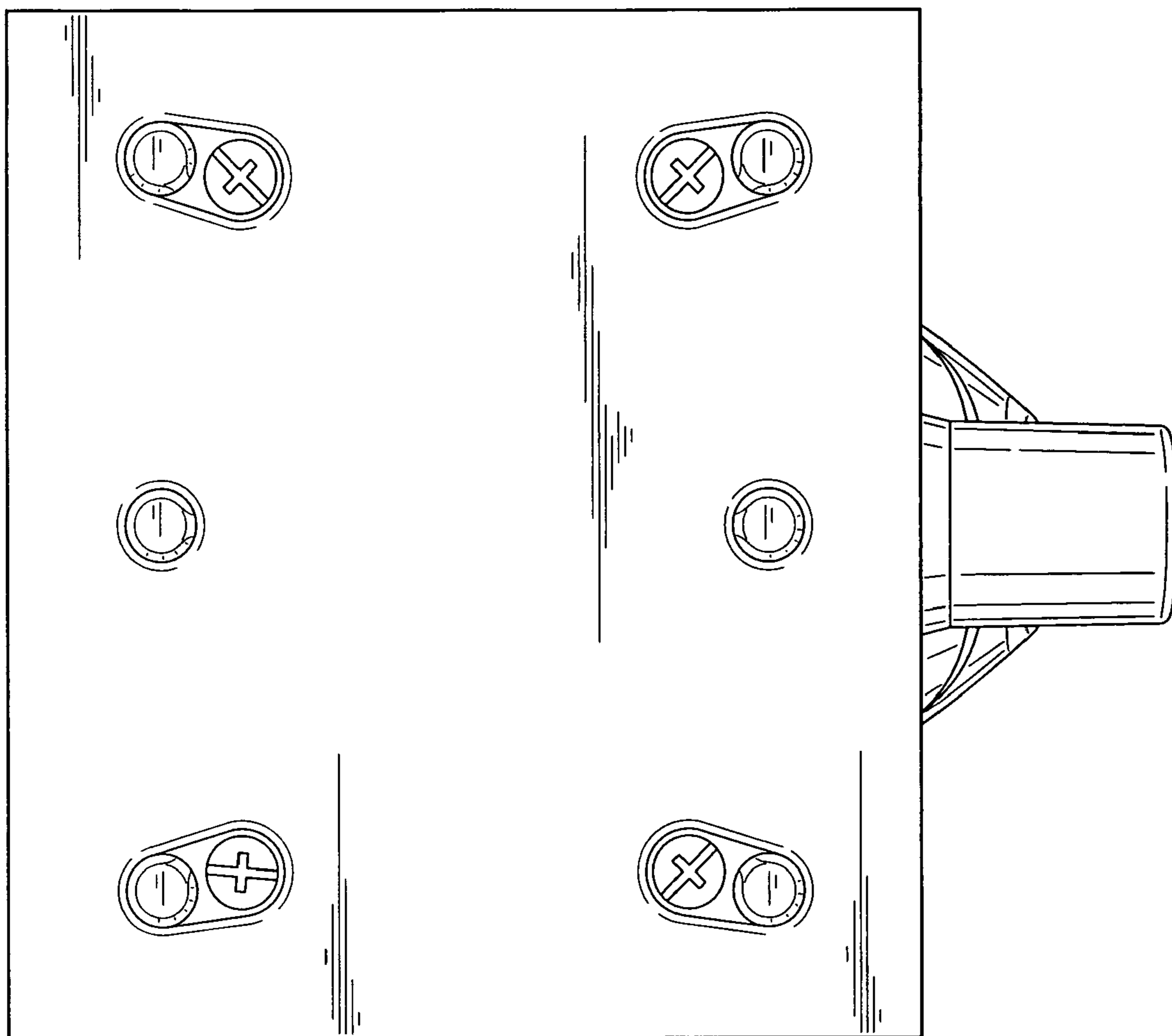
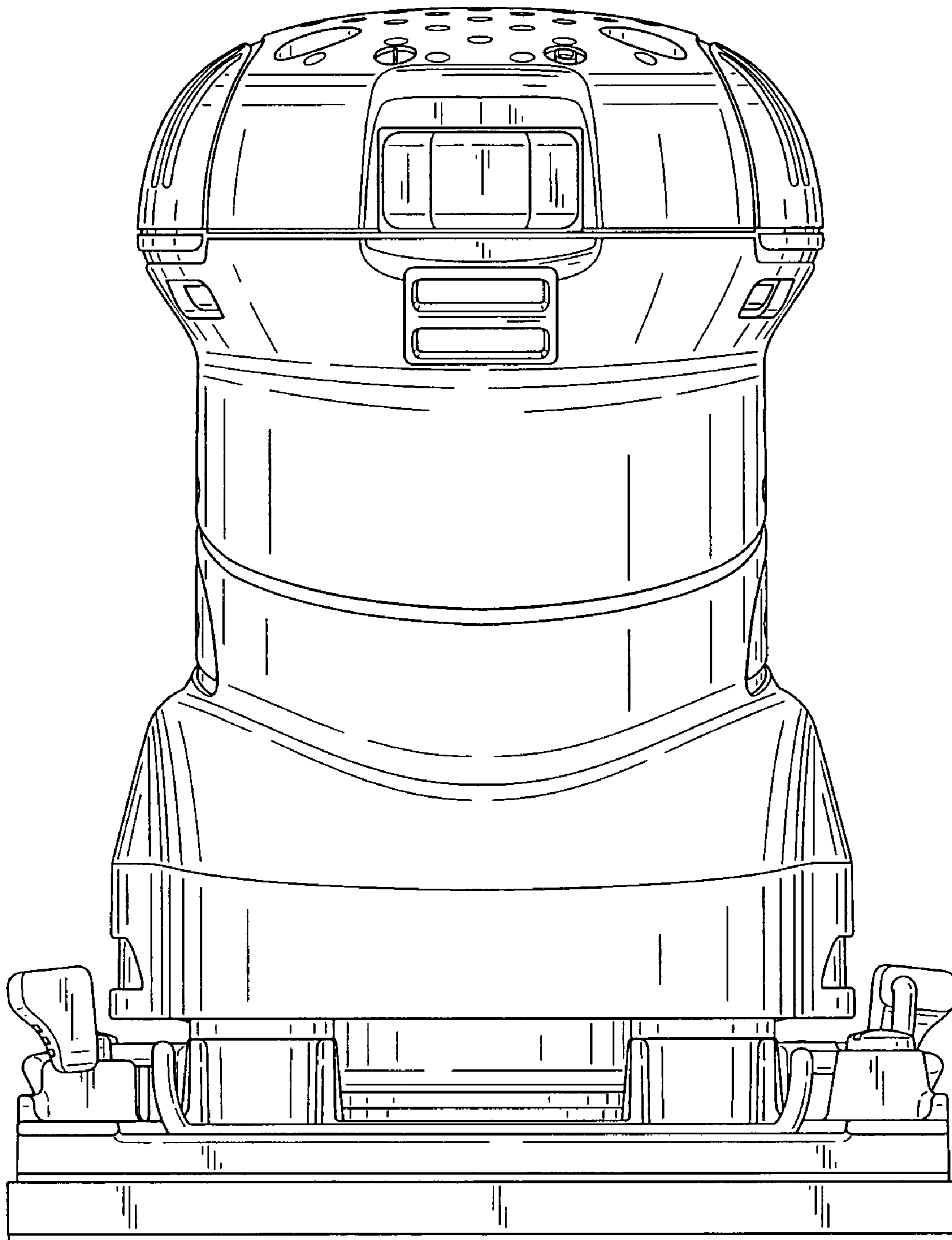


FIG. 5



*FIG. 6*



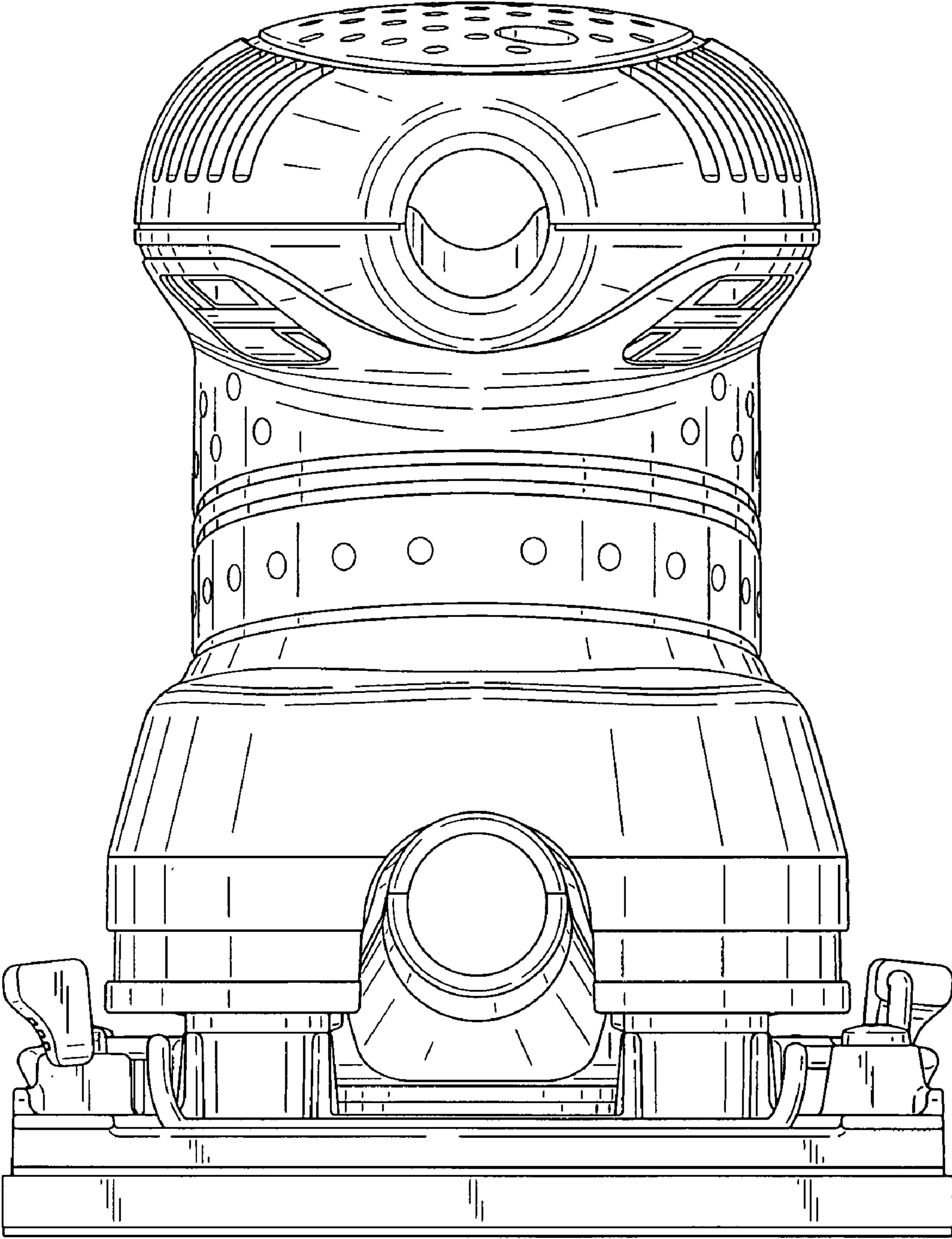


FIG. 7