



US00D567043S

(12) **United States Design Patent**
Marks et al.

(10) **Patent No.:** **US D567,043 S**

(45) **Date of Patent:** **** Apr. 22, 2008**

(54) **HAND HELD STAPLER**

(75) Inventors: **Joel Marks**, Sherman Oaks, CA (US);
Surapon Arleekul, Sherman Oaks, CA (US)

(73) Assignee: **WorkTools, Inc.**, Chatsworth, CA (US)

(**) Term: **14 Years**

(21) Appl. No.: **29/285,555**

(22) Filed: **Apr. 2, 2007**

(51) **LOC (8) Cl.** **19-02**

(52) **U.S. Cl.** **D8/50**

(58) **Field of Classification Search** D8/49,
D8/50, 61; D19/72; 227/120, 127, 128,
227/131, 132, 134, 156

See application file for complete search history.

(56) **References Cited**

U.S. PATENT DOCUMENTS

D487,007 S *	2/2004	Lee	D8/50
6,918,525 B2 *	7/2005	Marks	227/120
D513,159 S *	12/2005	Marks et al.	D8/50
D514,906 S *	2/2006	Marks et al.	D8/50
7,118,019 B2 *	10/2006	Marks	227/119
D533,756 S *	12/2006	Chang	D8/50
D542,613 S *	5/2007	Marks	D8/50
2004/0232192 A1 *	11/2004	Marks	227/120
2005/0127129 A1 *	6/2005	Marks	227/134
2005/0139631 A1 *	6/2005	Marks	227/134

2006/0213948 A1 *	9/2006	Marks	227/134
2006/0213949 A1 *	9/2006	Marks	227/134
2007/0125823 A1 *	6/2007	Marks	227/132

* cited by examiner

Primary Examiner—Cathron C. Brooks

Assistant Examiner—Austin Murphy

(74) *Attorney, Agent, or Firm*—Brad I Golstein

(57) **CLAIM**

We claim the ornamental design for a hand held stapler, as shown and described.

DESCRIPTION

FIG. 1 is a first side, top, and rear perspective view of a hand held stapler showing our new design;

FIG. 2 is a first side, bottom, and front perspective view of the hand held stapler showing our new design;

FIG. 3 is a first side elevational view of the hand held stapler showing our new design;

FIG. 4 is a bottom plan view of the hand held stapler showing our new design;

FIG. 5 is a front elevational view of the hand held stapler showing our new design;

FIG. 6 is a first side elevational view of the hand held stapler, in a track-open position, showing our new design; and,

FIG. 7 is a top, first side perspective view of a hand held stapler, in a track-open position, showing our new design.

1 Claim, 4 Drawing Sheets

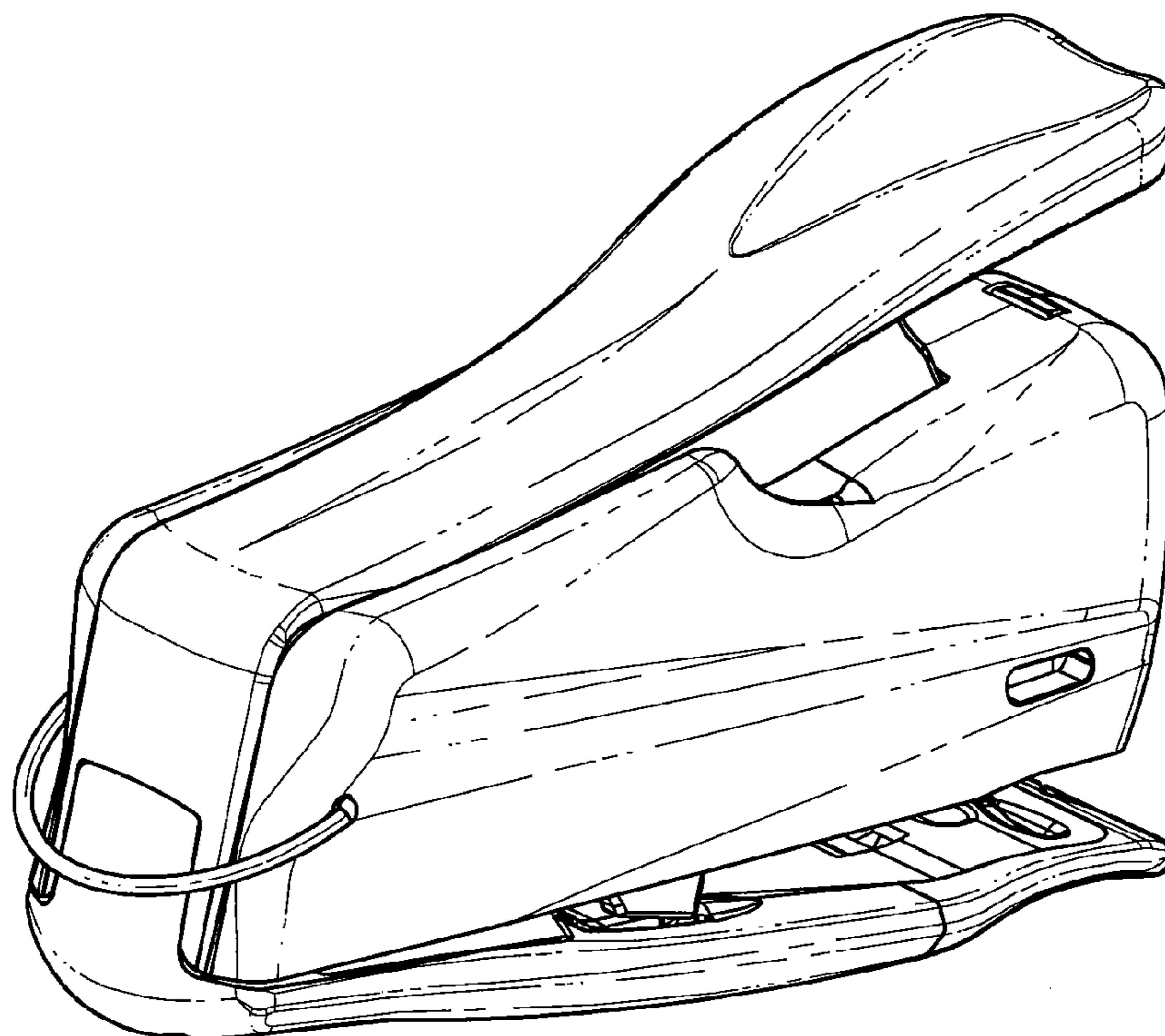


FIG. 1

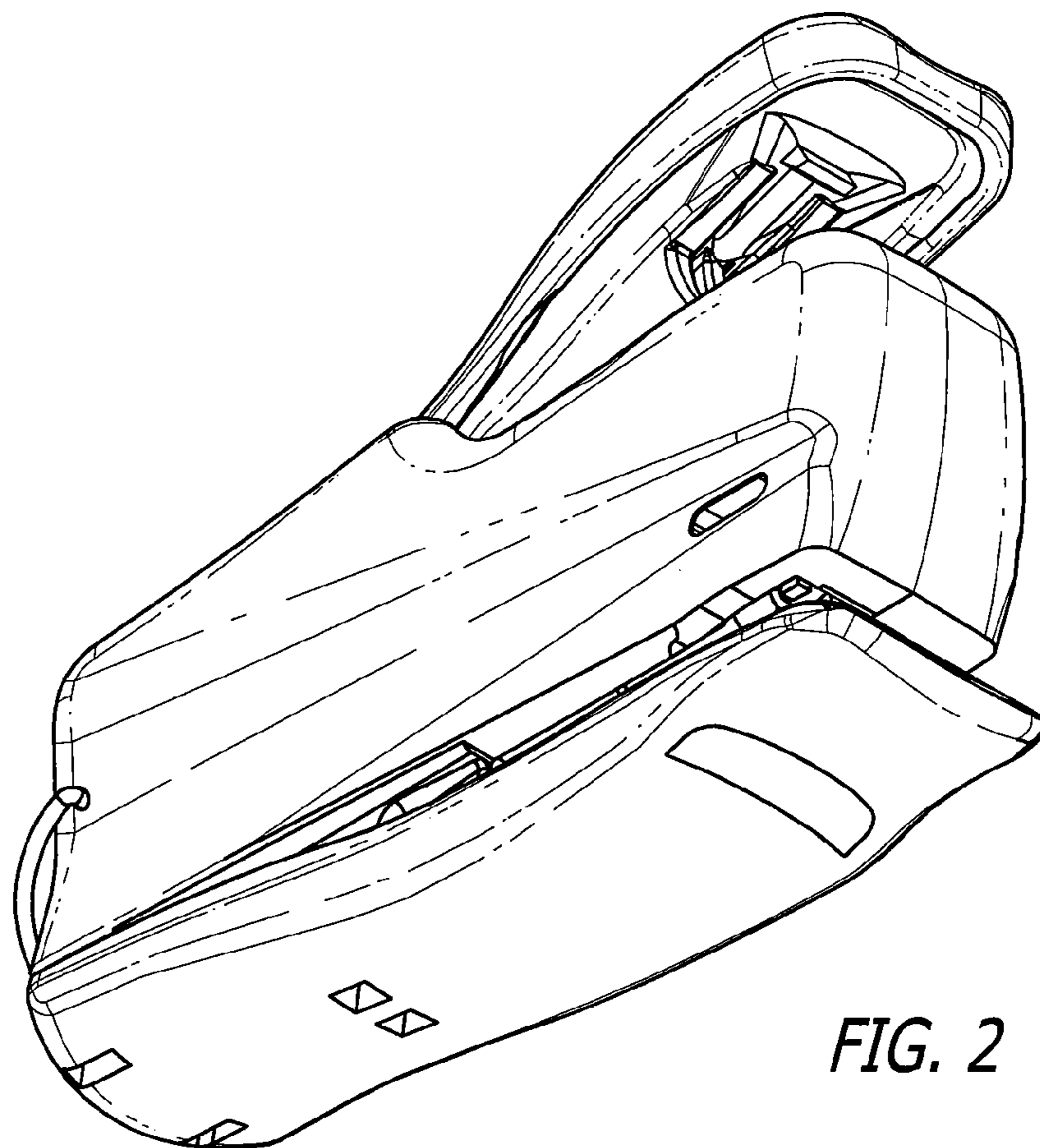
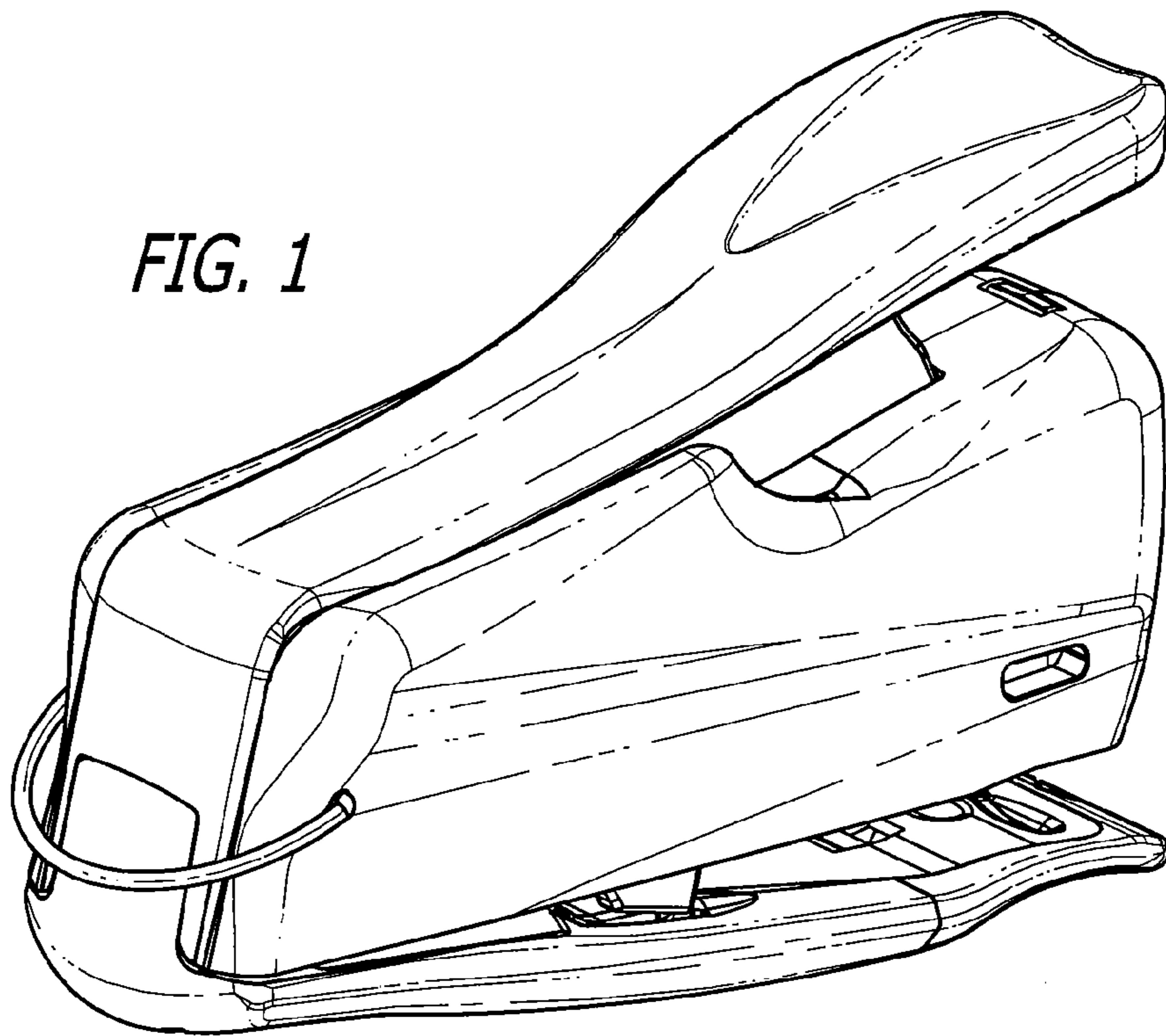


FIG. 2

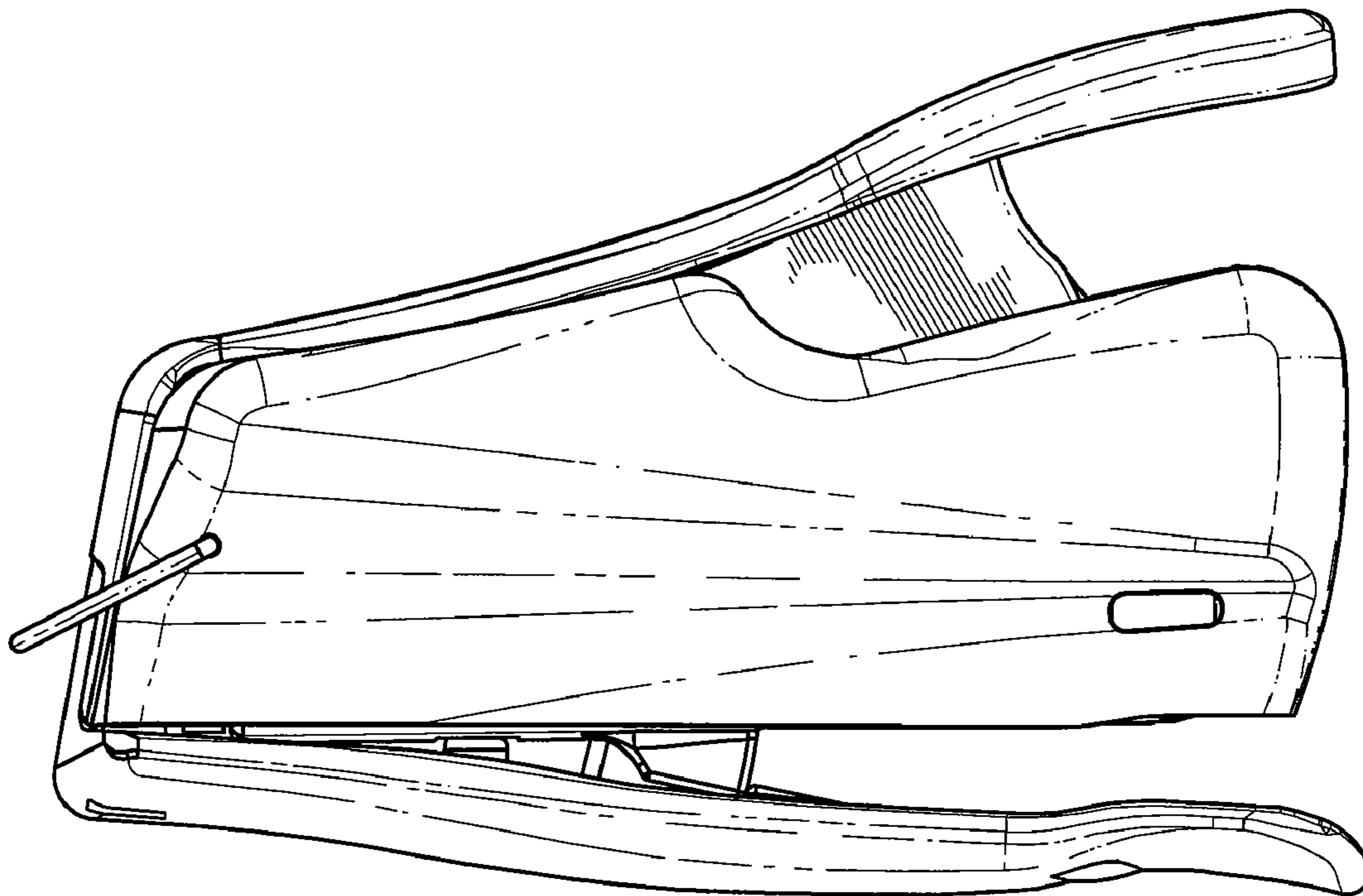


FIG. 3

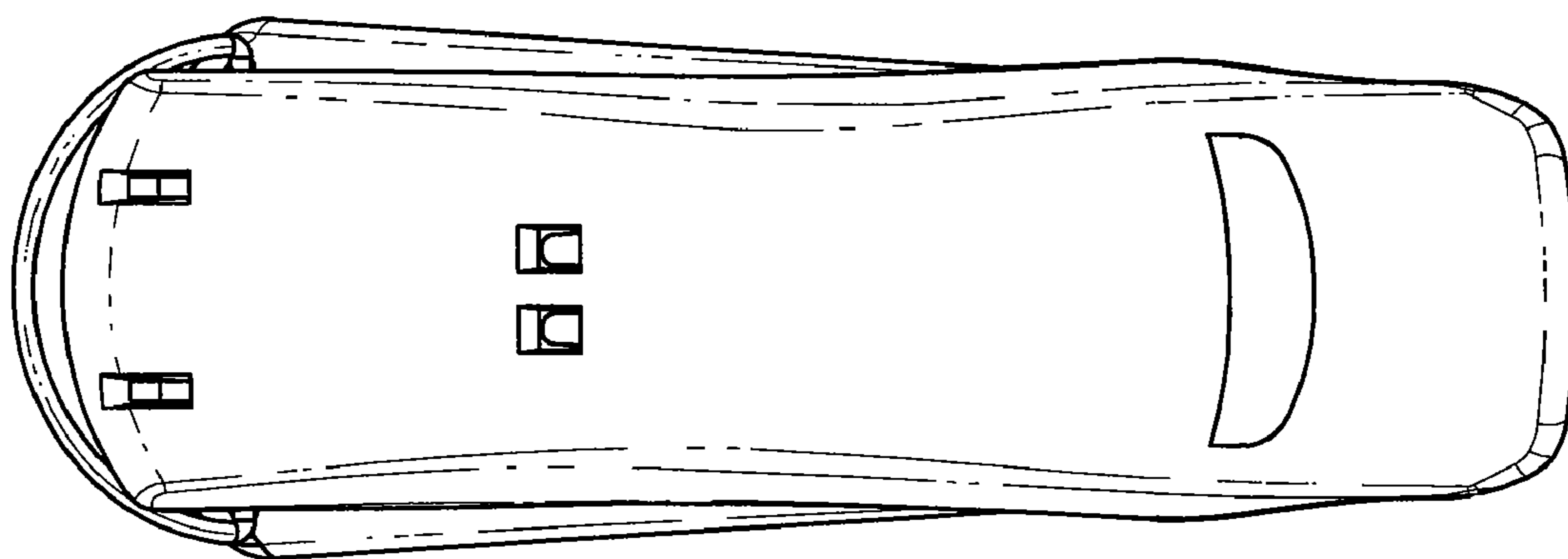


FIG. 4

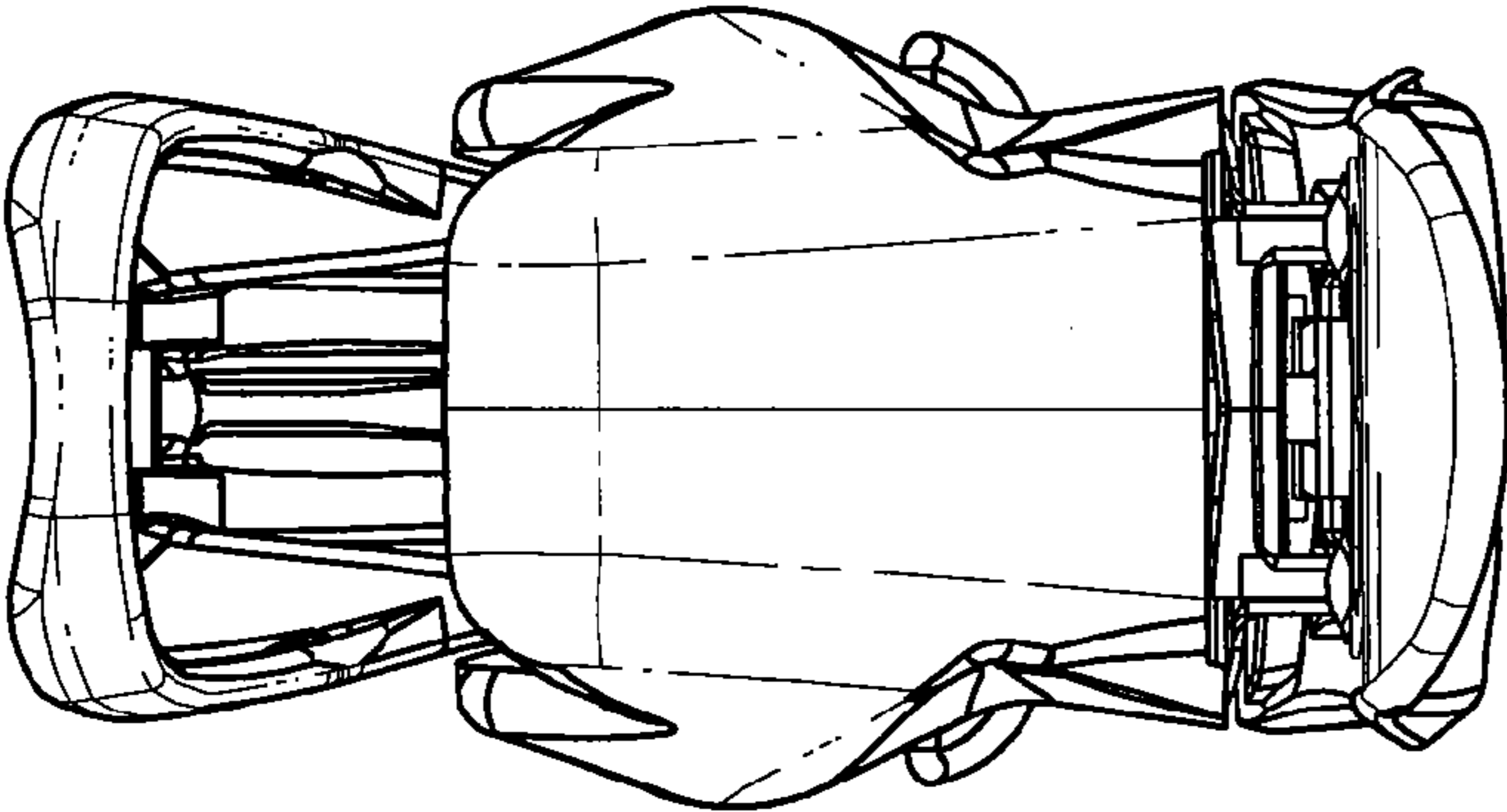


FIG. 5

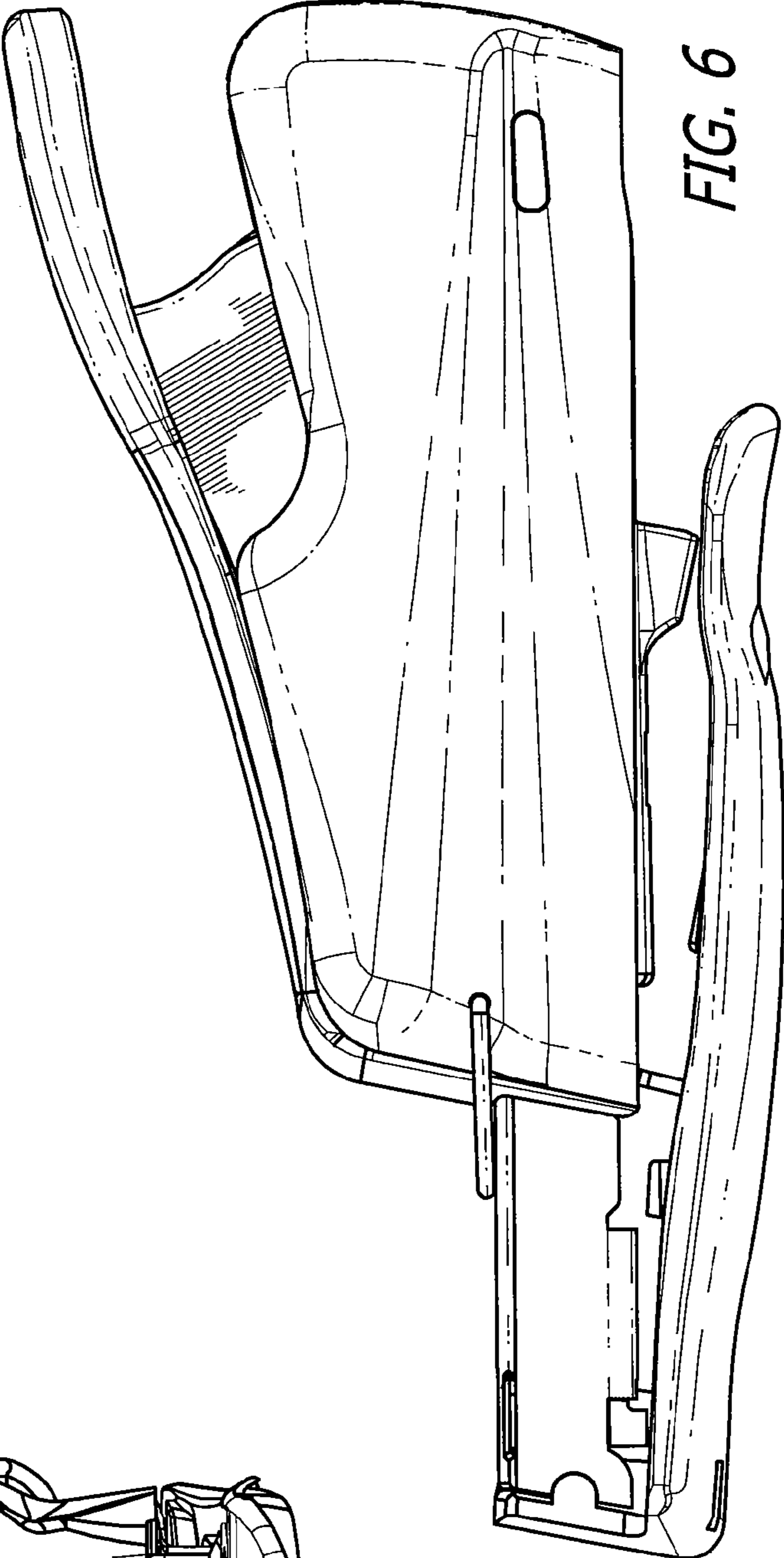


FIG. 6

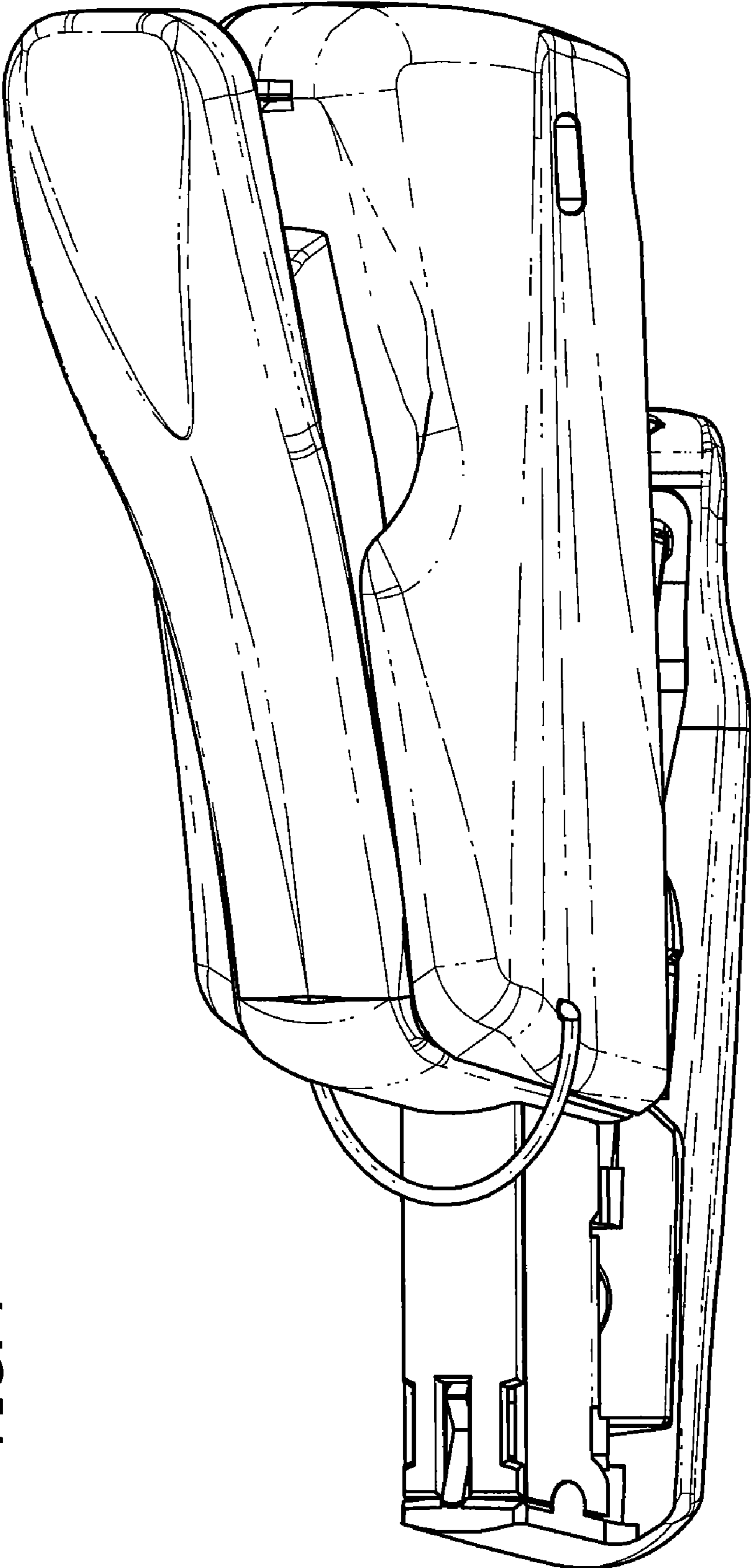


FIG. 7