



US00D567041S

(12) **United States Design Patent**
Wu

(10) **Patent No.:** **US D567,041 S**

(45) **Date of Patent:** **** Apr. 22, 2008**

(54) **SPANNER HANDLE**

(75) **Inventor:** **Arthur Wu**, Taichung Hsien (TW)

(73) **Assignee:** **Proxene Tools Co., Ltd.**, She Kou Village, Shen Kang Hsiang, Taichung (TW)

(**) **Term:** **14 Years**

(21) **Appl. No.:** **29/263,325**

(22) **Filed:** **Jul. 21, 2006**

(51) **LOC (8) Cl.** **08-05**

(52) **U.S. Cl.** **D8/27**

(58) **Field of Classification Search** D8/17,
D8/21-29, 52, 55, 81-87, 102-107, 98, 99,
D8/93, 94; 81/119, 121.1, 86, 124.2, 125,
81/125.1, 176.1, 176.2, 177.1, 177.2, 177.3,
81/177.85, 124.3, 124.7, 176.3, 179, 160,
81/3.57, 3.55, 58.4, 186, 58.3, 300, 58.1,
81/60-63.2, 165-170, 110.1, 124.6, 176.15,
81/121.7, 436, 437, 177.8, 177.9, 185.1,
81/3.4, 177.4, 492, 57, 58, 13, 177.7, 490,
81/415-423, 427.5; 140/119; 16/422, 186,
16/429

See application file for complete search history.

(56) **References Cited**

U.S. PATENT DOCUMENTS

| | | | | |
|---------------|---------|------------------|-------|--------|
| D275,726 S * | 10/1984 | Cleminshaw | | D8/25 |
| D299,206 S * | 1/1989 | Krapowicz et al. | | D8/28 |
| D300,296 S * | 3/1989 | Krapowicz et al. | | D8/25 |
| 5,079,978 A * | 1/1992 | Kupfer | | 81/119 |
| D385,767 S * | 11/1997 | Sorensen et al. | | D8/107 |
| D388,296 S * | 12/1997 | Wei | | D8/28 |
| D485,144 S * | 1/2004 | Levine et al. | | D8/28 |

* cited by examiner

Primary Examiner—Raphael Barkai
Assistant Examiner—Randall H Gholson

(57) **CLAIM**

The ornamental design for a spanner handle, as shown and described.

DESCRIPTION

FIG. 1 is a perspective view of a spanner handle showing my new design;

FIG. 2 is a front elevational view thereof;

FIG. 3 is a rear elevational view thereof;

FIG. 4 is a left side view thereof;

FIG. 5 is a right side view thereof;

FIG. 6 is a top plan view thereof; and

FIG. 7 is a bottom plan view thereof.

FIG. 8 is a second perspective view showing my new design.

FIG. 9 is a partial reference view for indicating cross section lines.

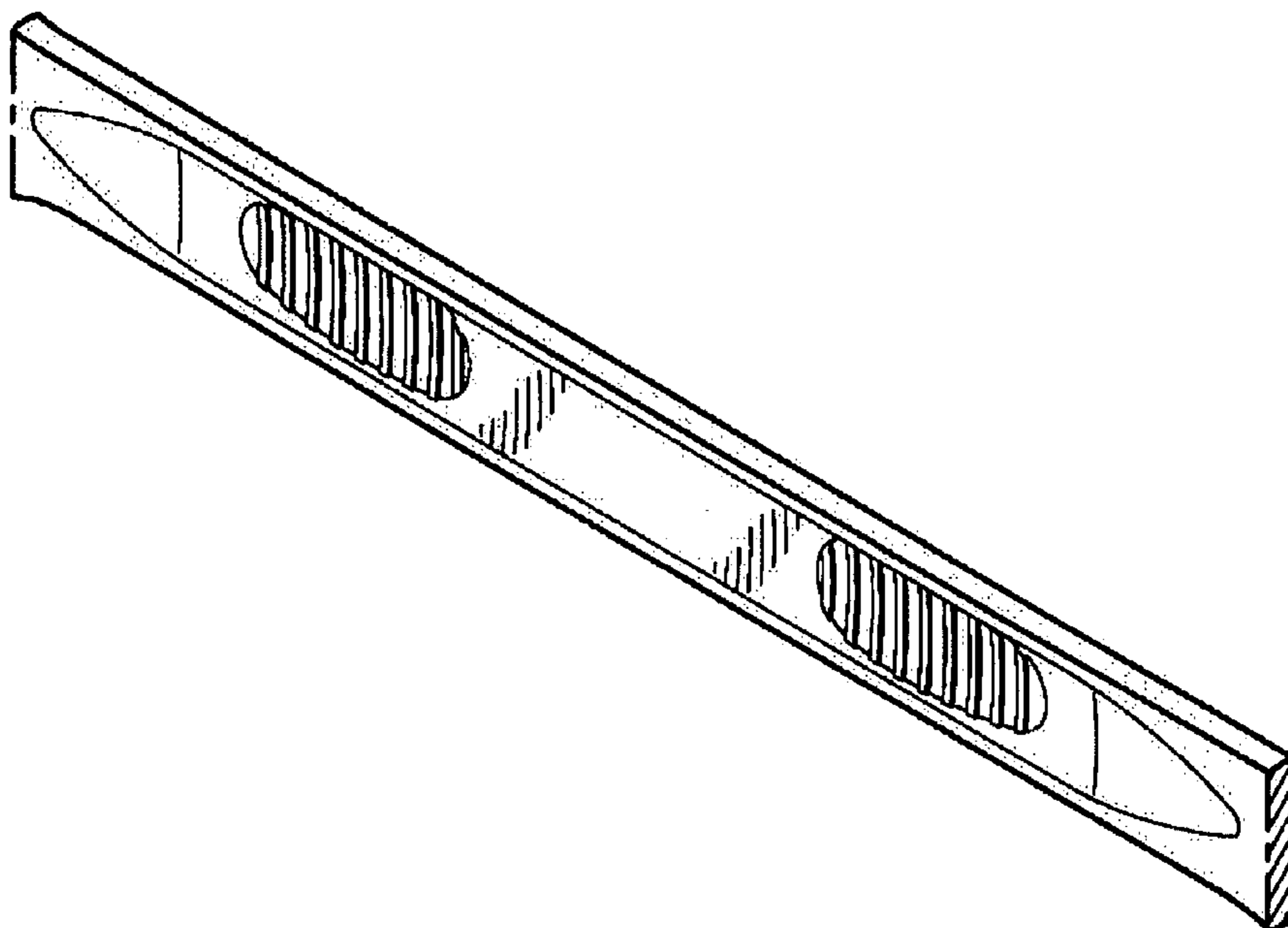
FIG. 10 is a cross section view of the present invention along line 10—10 of FIG. 9.

FIG. 11 is a cross section view of the present invention along line 11—11 of FIG. 9; and,

FIG. 12 is a cross section view of the present invention along line 12—12 of FIG. 9.

The broken lines shown in the drawings is included for the purpose of illustrating the boundary and environment of the design and forms no part of the claimed design.

1 Claim, 8 Drawing Sheets



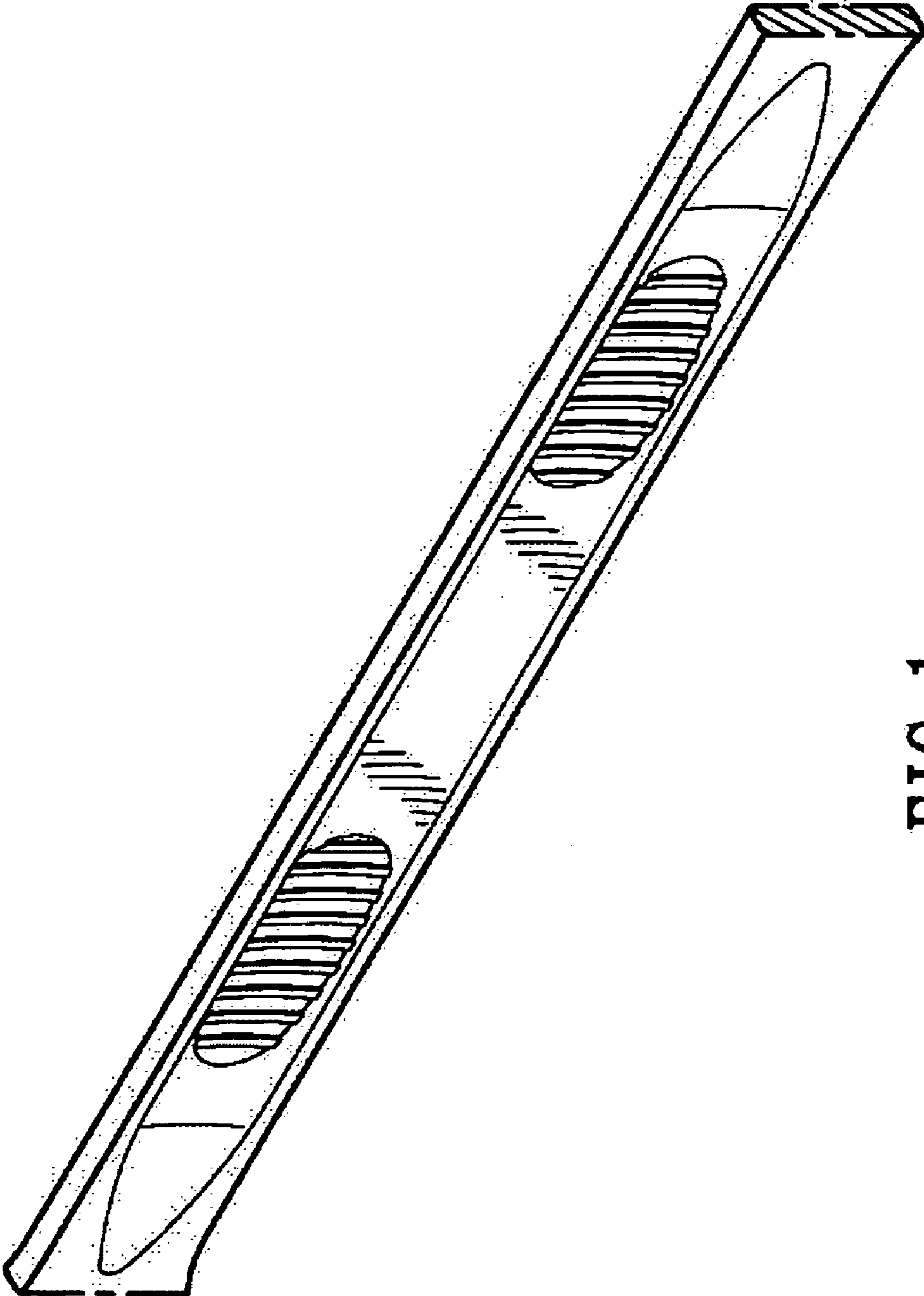


FIG. 1

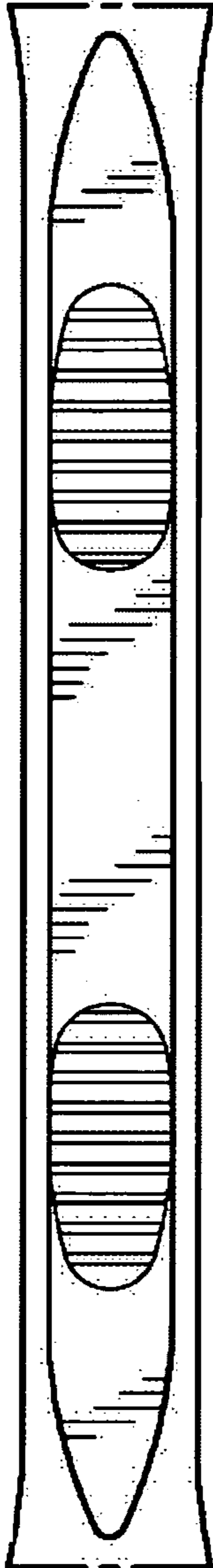


FIG. 2

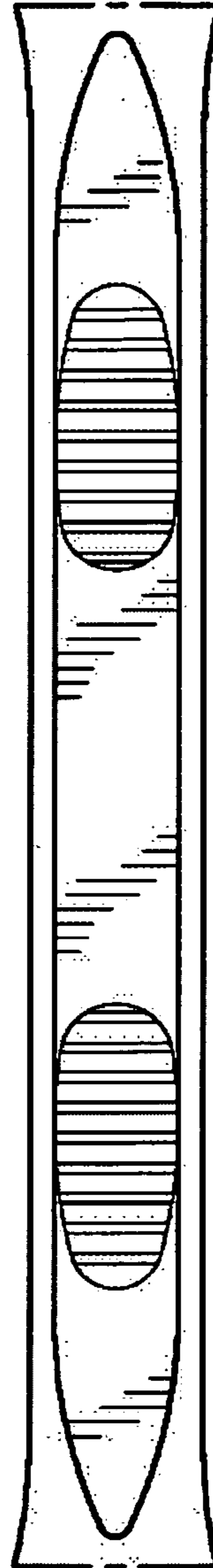


FIG. 3



FIG. 4



FIG. 5



FIG. 6



FIG. 7

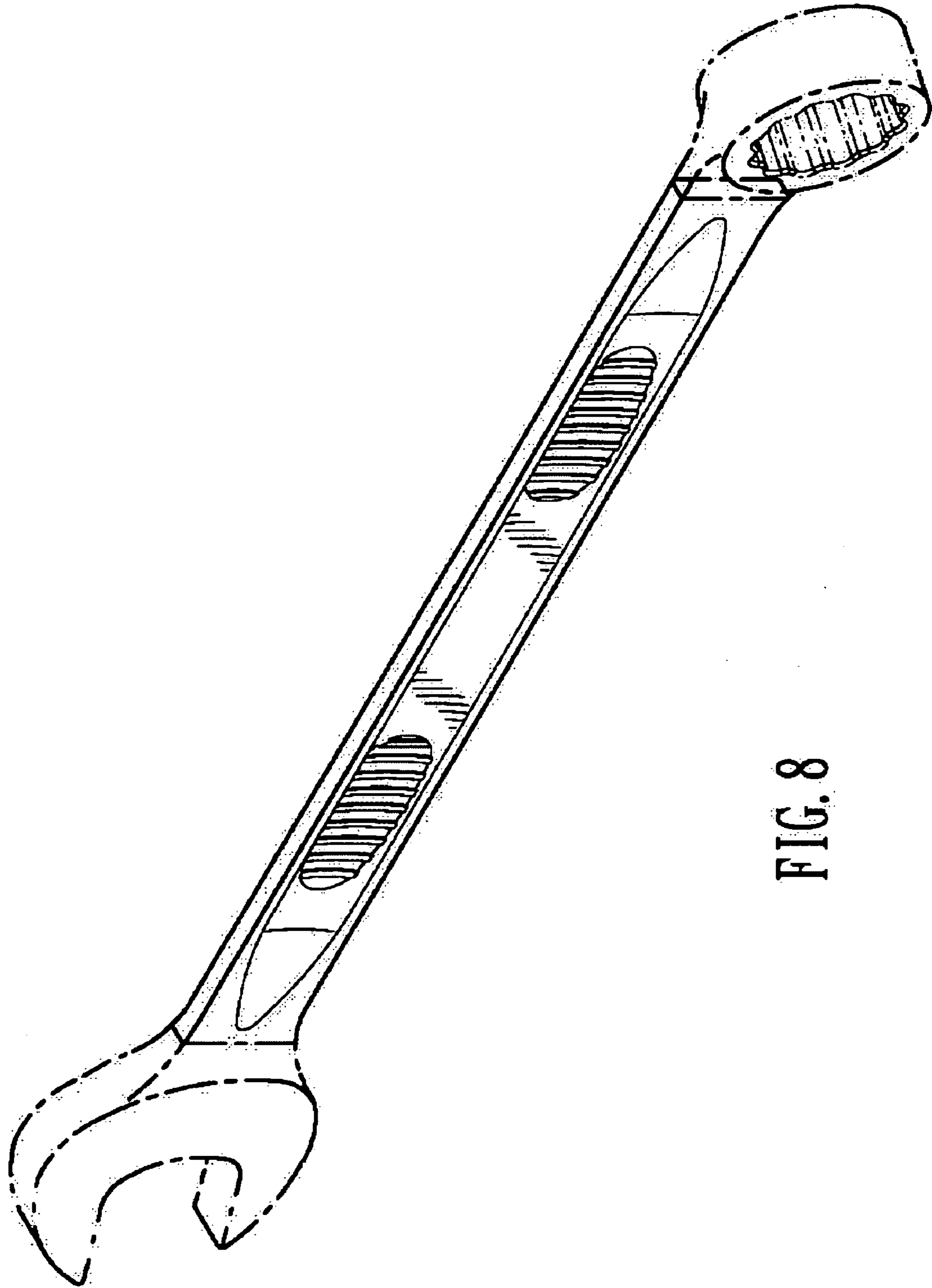


FIG. 8

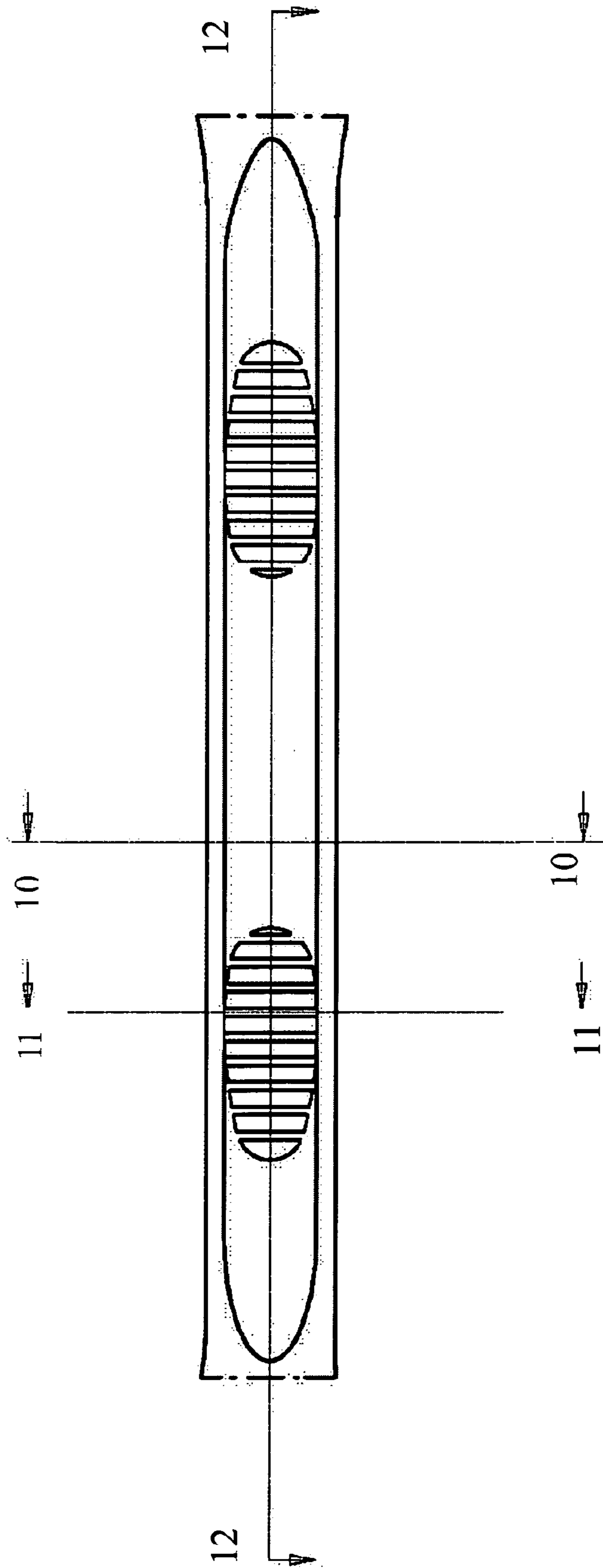


FIG.9



FIG.10



FIG.11

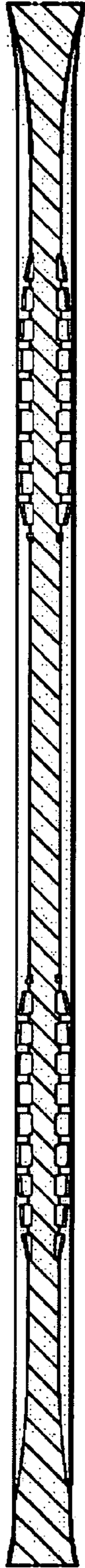


FIG.12