



US00D567039S

(12) **United States Design Patent**
Hughes et al.

(10) **Patent No.:** **US D567,039 S**

(45) **Date of Patent:** **** Apr. 22, 2008**

(54) **BI-MIX CAULKING GUN**

(75) Inventors: **Graham Hughes**, Basingstoke (GB);
Daniel Dobbin, Twyford (GB)

(73) Assignee: **P C Cox Limited**, Berkshire (GB)

(**) Term: **14 Years**

(21) Appl. No.: **29/265,431**

(22) Filed: **Aug. 31, 2006**

(30) **Foreign Application Priority Data**

Mar. 3, 2006 (GB) D3024156

(51) **LOC (8) Cl.** **08-05**

(52) **U.S. Cl.** **D8/14.1**

(58) **Field of Classification Search** D8/14,
D8/14.1; 222/309, 321.1, 260, 174, 82, 323,
222/325, 137, 83.5, 391

See application file for complete search history.

(56) **References Cited**

U.S. PATENT DOCUMENTS

D170,428 S * 9/1953 Peterson D8/14.1

D285,895 S * 9/1986 Cox D8/14.1

D413,235 S * 8/1999 Hwang D8/14.1

D455,619 S * 4/2002 Chang D8/14.1

D505,306 S * 5/2005 Gaddy D8/14.1

D511,077 S * 11/2005 Huang D8/14.1

D511,445 S * 11/2005 Childs et al. D8/14.1

D520,820 S * 5/2006 Chang et al. D8/14.1

* cited by examiner

Primary Examiner—Holly H. Baynham

Assistant Examiner—Sheryl Friedman

(74) *Attorney, Agent, or Firm*—Lackebach Siegel, LLP

(57) **CLAIM**

The ornamental design for a bi-mix caulking gun, as shown and described.

DESCRIPTION

FIG. 1 is a front perspective view of a caulking gun of the present invention.

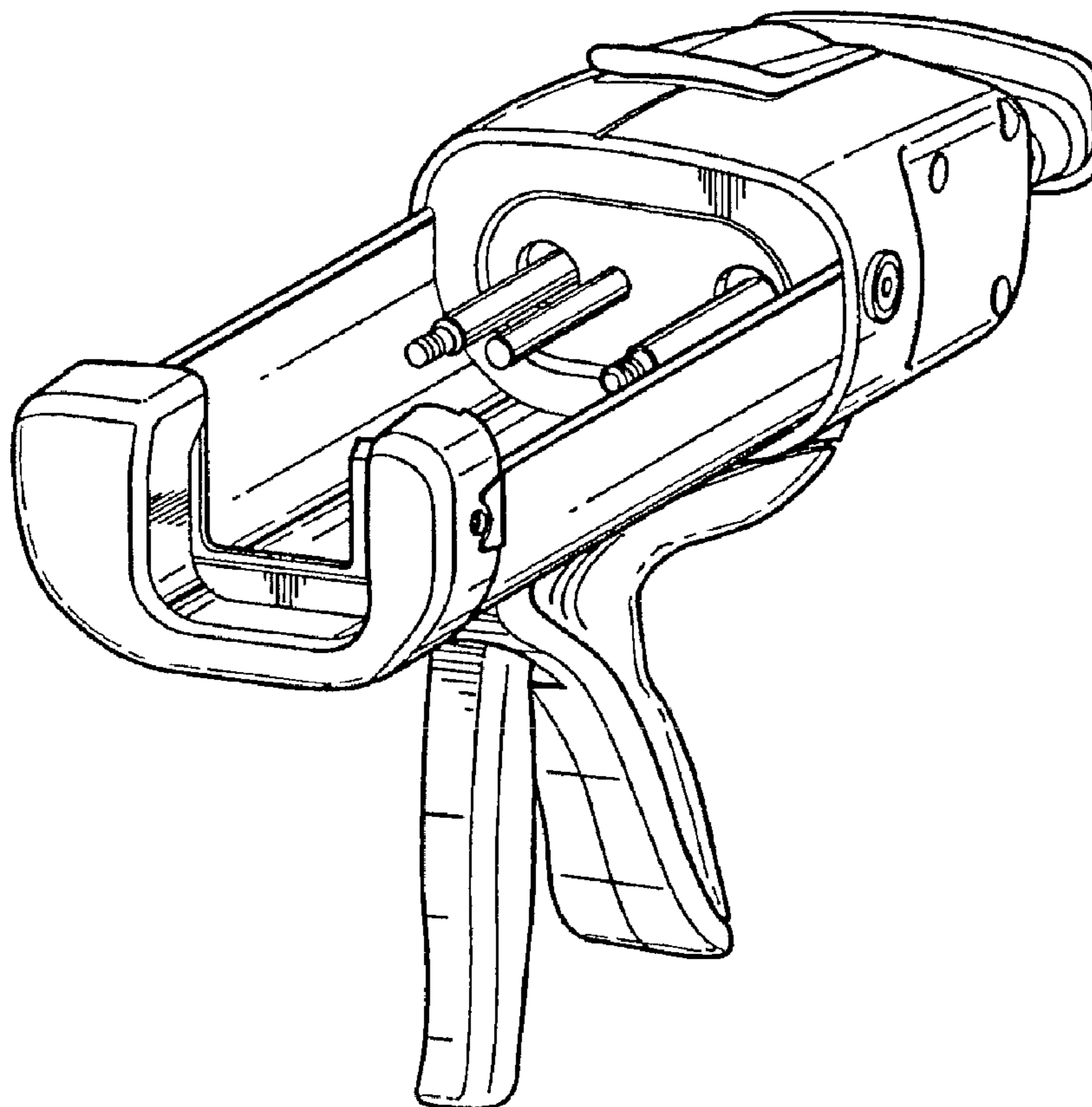
FIG. 2 is a top plan view of FIG. 1.

FIG. 3 is an elevational side view of FIG. 1.

FIG. 4 is an elevational rear view of FIG. 1; and,

FIG. 5 is a elevational front view of FIG. 1.

1 Claim, 3 Drawing Sheets



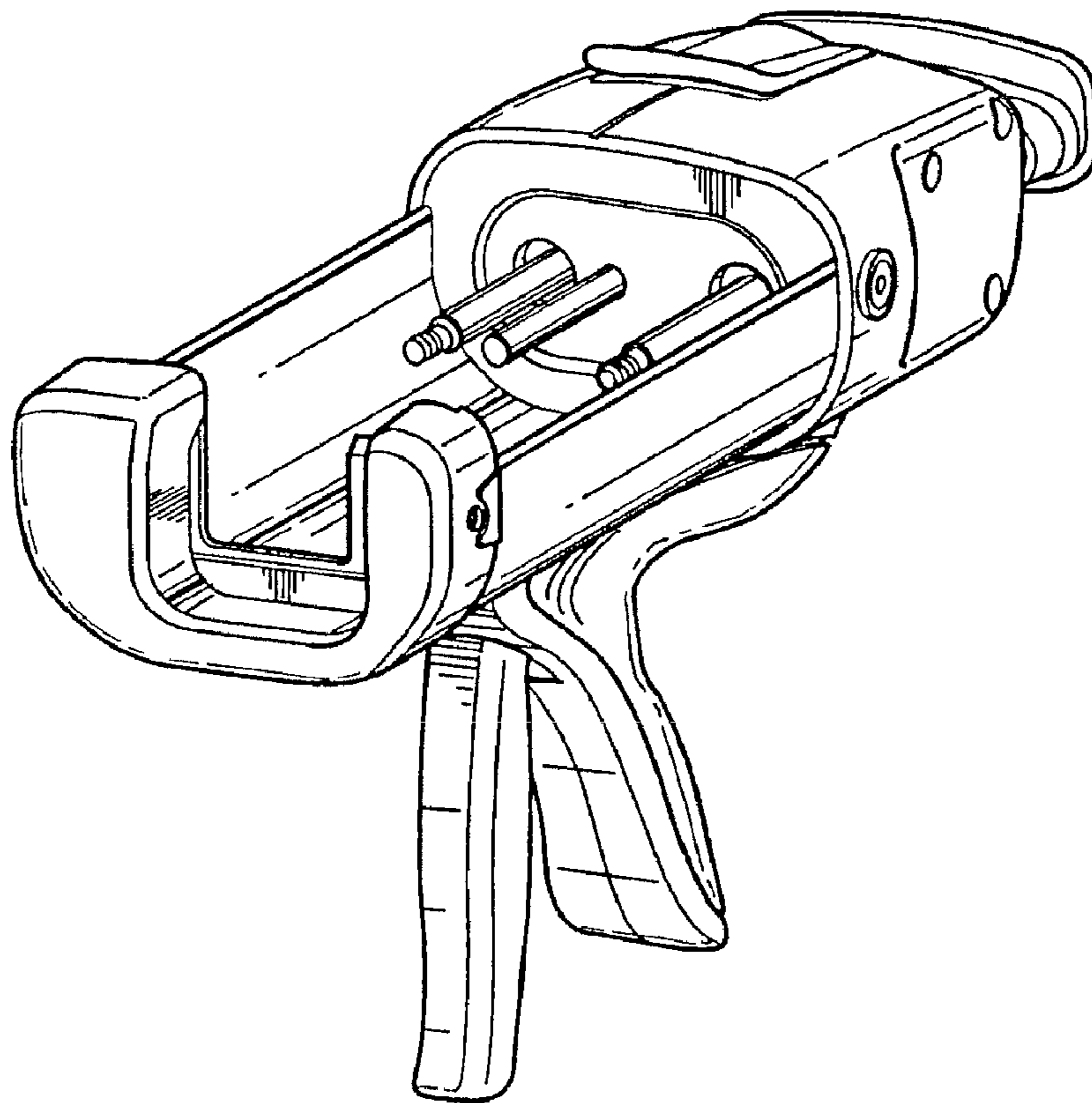


Fig. 1

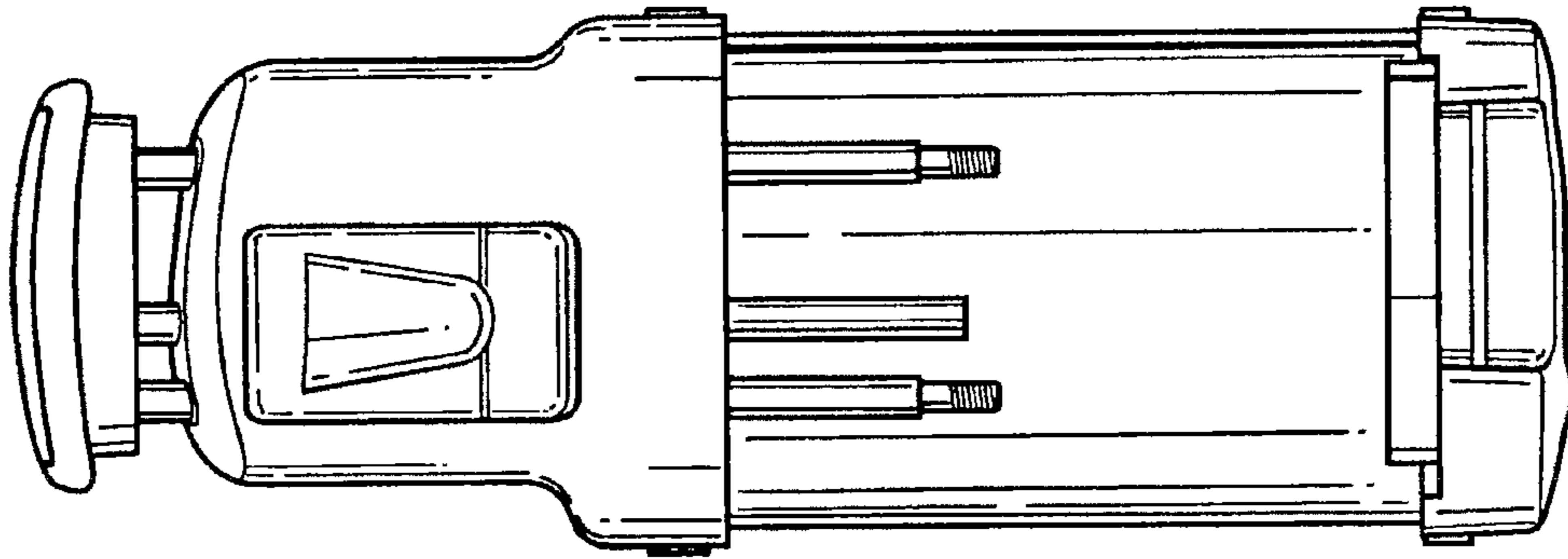


Fig. 2

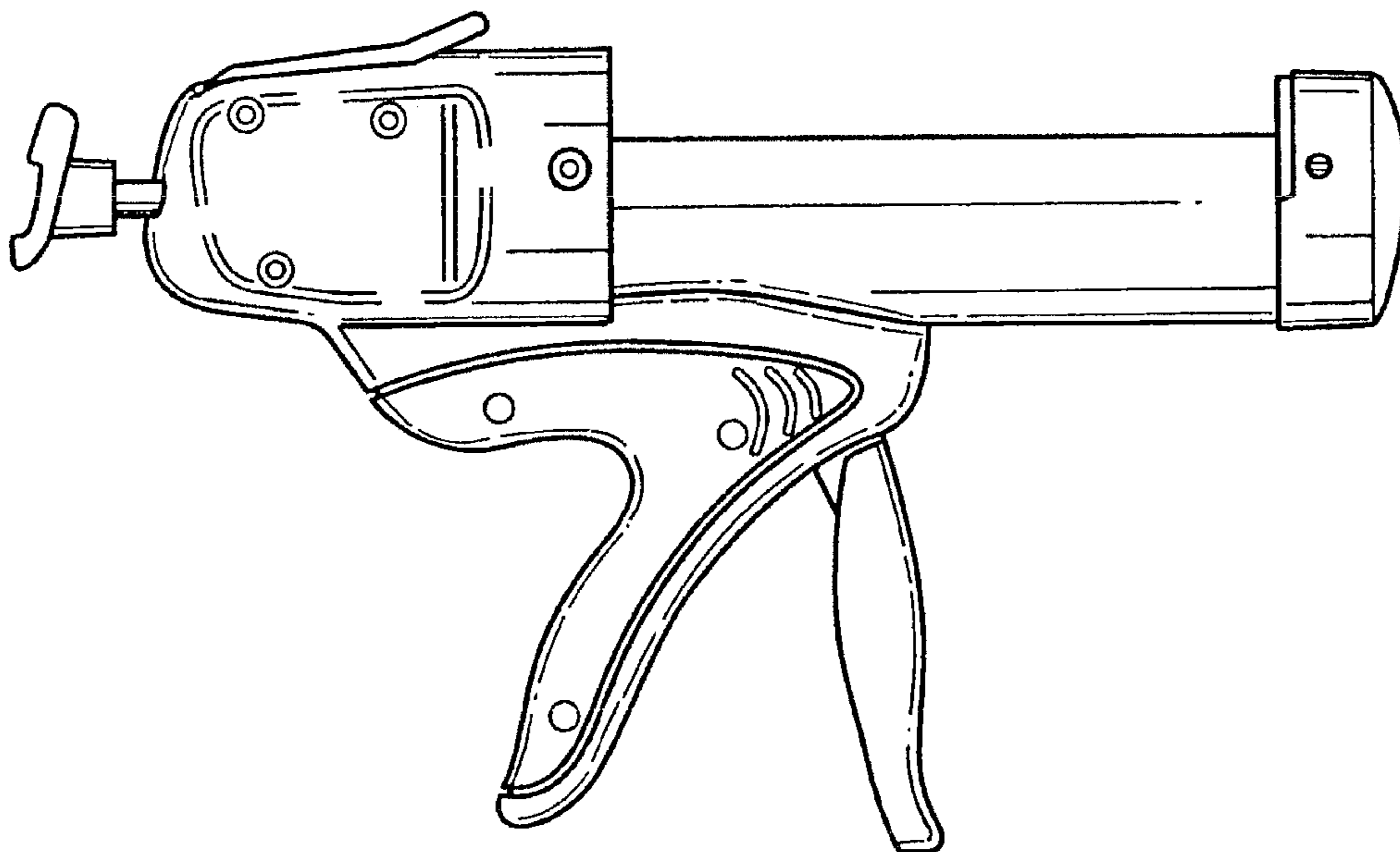


Fig. 3

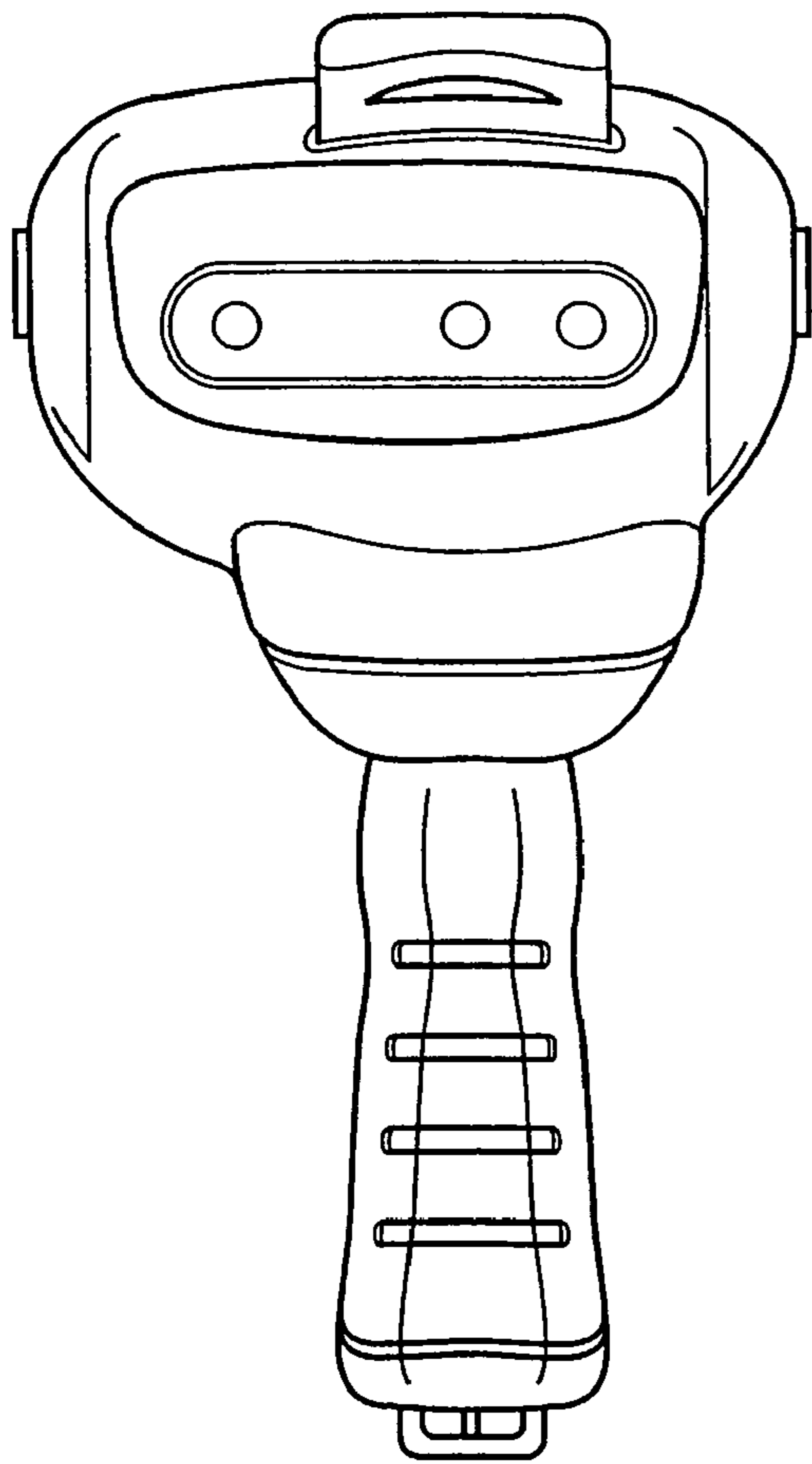


FIG. 4

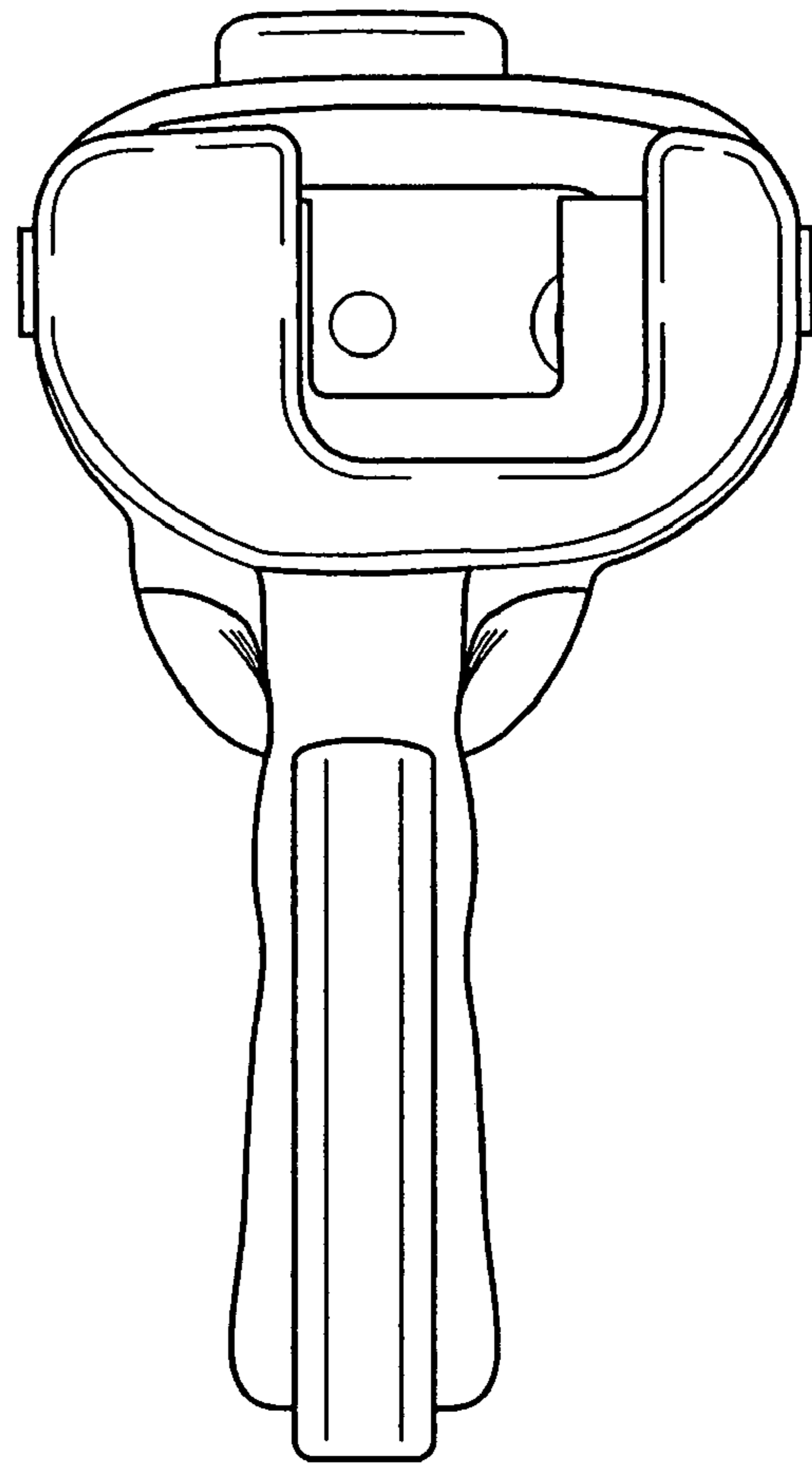


FIG. 5