



US00D567038S

(12) **United States Design Patent**
Carallo

(10) **Patent No.:** **US D567,038 S**
(45) **Date of Patent:** **** Apr. 22, 2008**

(54) **FUNNEL**

6,719,021 B1 * 4/2004 Jwu 141/331

(76) Inventor: **Nunzia Paola Carallo**, Corso Buenos Aires, 45, Milano (IT) 20124

* cited by examiner

Primary Examiner—Terry A Wallace
(74) *Attorney, Agent, or Firm*—Baker & McKenzie LLP

(**) Term: **14 Years**

(21) Appl. No.: **29/278,680**

(57) **CLAIM**

(22) Filed: **Apr. 5, 2007**

The ornamental design for a funnel, as shown and described.

(30) **Foreign Application Priority Data**

DESCRIPTION

Oct. 5, 2006 (HK) 0602563

FIG. 1 is a top view of the funnel in accordance with my design;

(51) **LOC (8) Cl.** **07-99**

FIG. 2 is a front view of the funnel shown in FIG. 1;

(52) **U.S. Cl.** **D7/700**

FIG. 3 is a rear view of the funnel shown in FIGS. 1-2;

(58) **Field of Classification Search** D7/700,
D7/400, 619.1; 141/95, 98, 297-300, 331-345;
D24/121-123

FIG. 4 is a side view of the funnel shown in FIGS. 1-3; the opposite view being a mirror image thereof;

See application file for complete search history.

FIG. 5 is a bottom view of the funnel shown in FIGS. 1-4;

(56) **References Cited**

FIG. 6 is a perspective top view of the funnel shown in FIGS. 1-5; and,

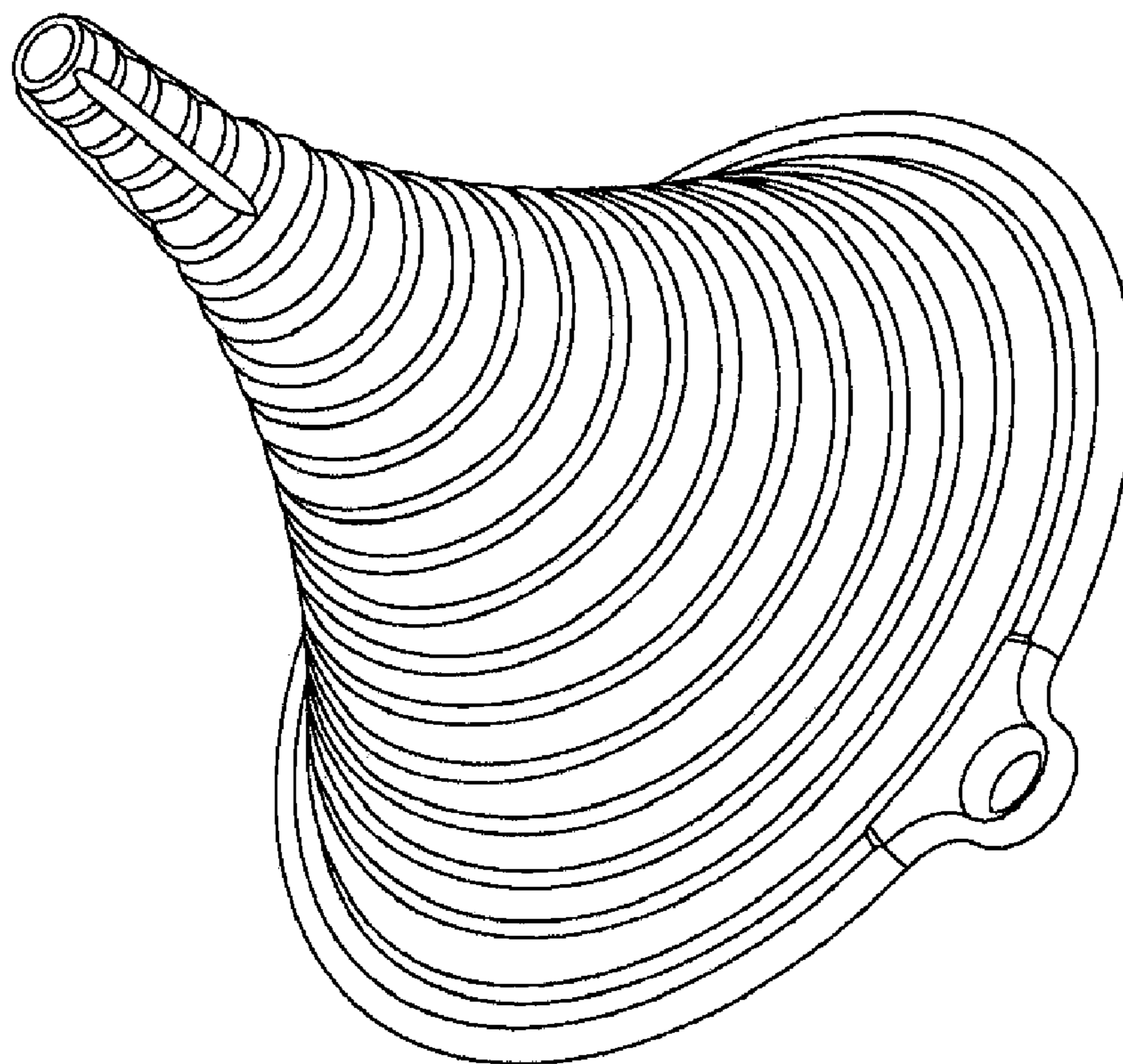
U.S. PATENT DOCUMENTS

FIG. 7 is a perspective bottom view of the funnel shown in FIGS. 1-6.

D274,208 S *	6/1984	Hildenbrand	D7/700
D352,428 S *	11/1994	Waldmyer	D7/700
D382,448 S *	8/1997	Maique	D7/700
D383,043 S *	9/1997	Harris	D7/700
5,979,516 A *	11/1999	Grant	141/331
D430,460 S *	9/2000	Yu	D7/619.1
6,318,422 B2 *	11/2001	Woratyla et al.	141/333

The broken lines shown in the drawing disclosure are for illustrative purposes only and form no part of the claimed design.

1 Claim, 2 Drawing Sheets



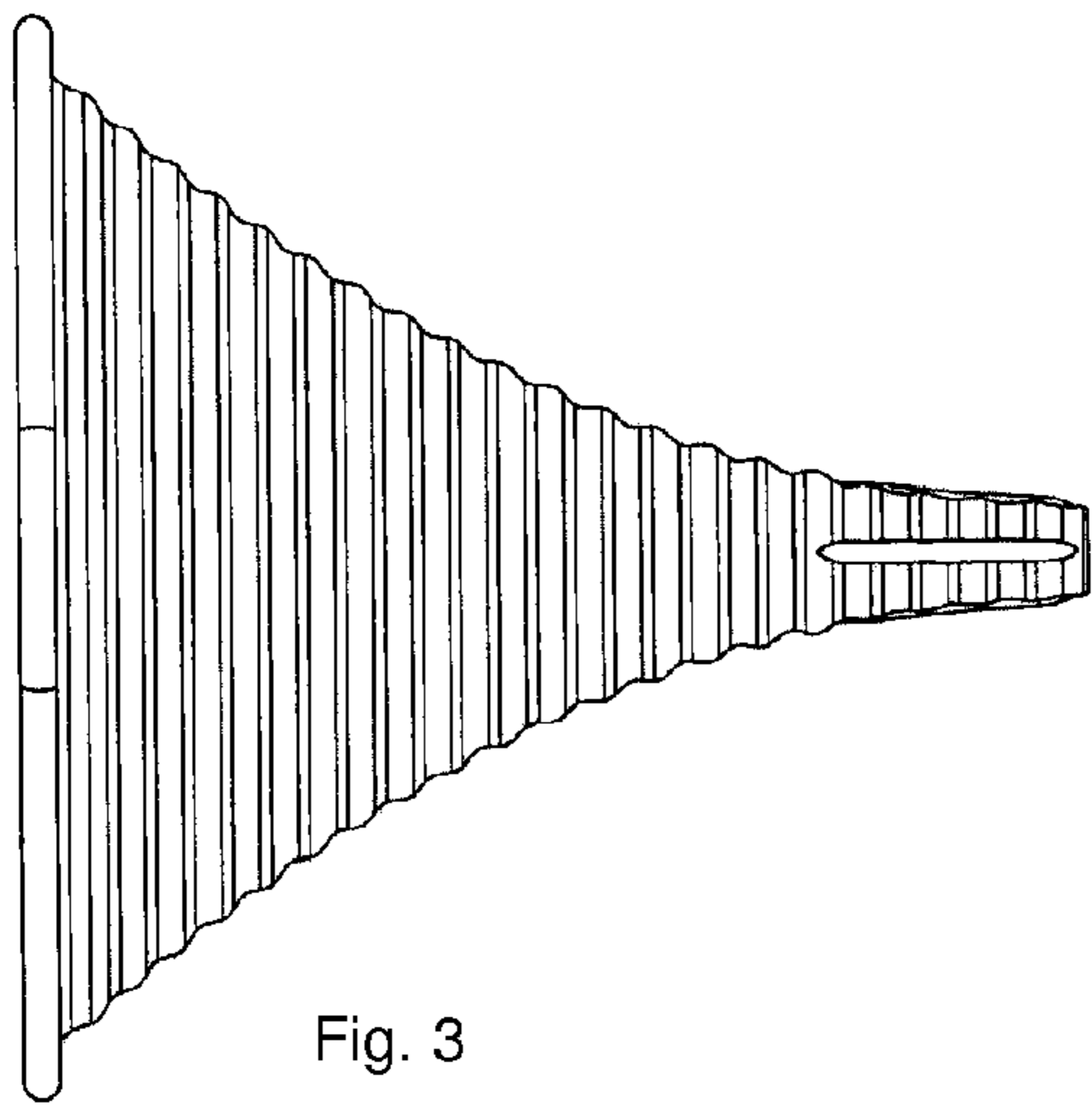


Fig. 3

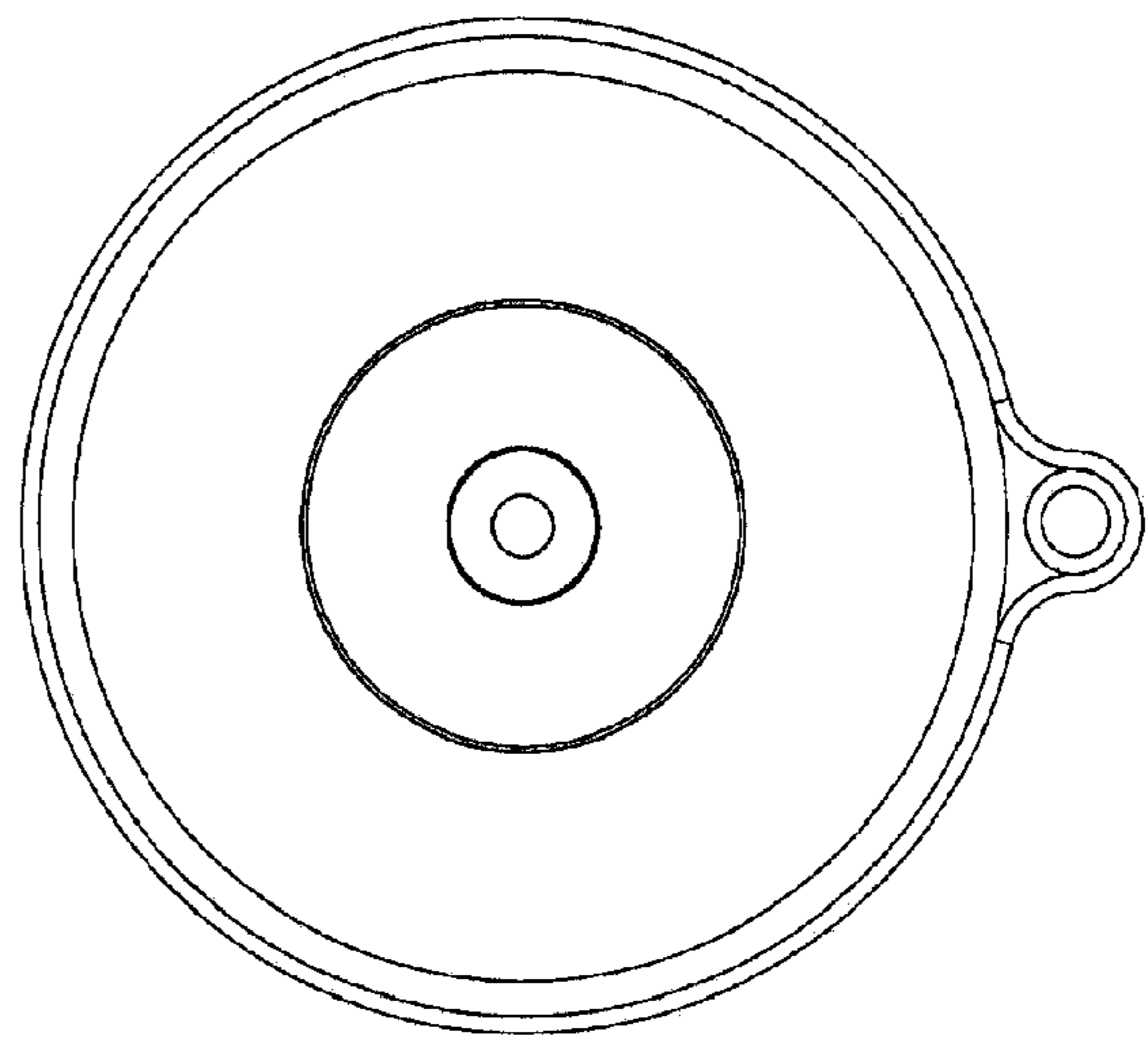


Fig. 1

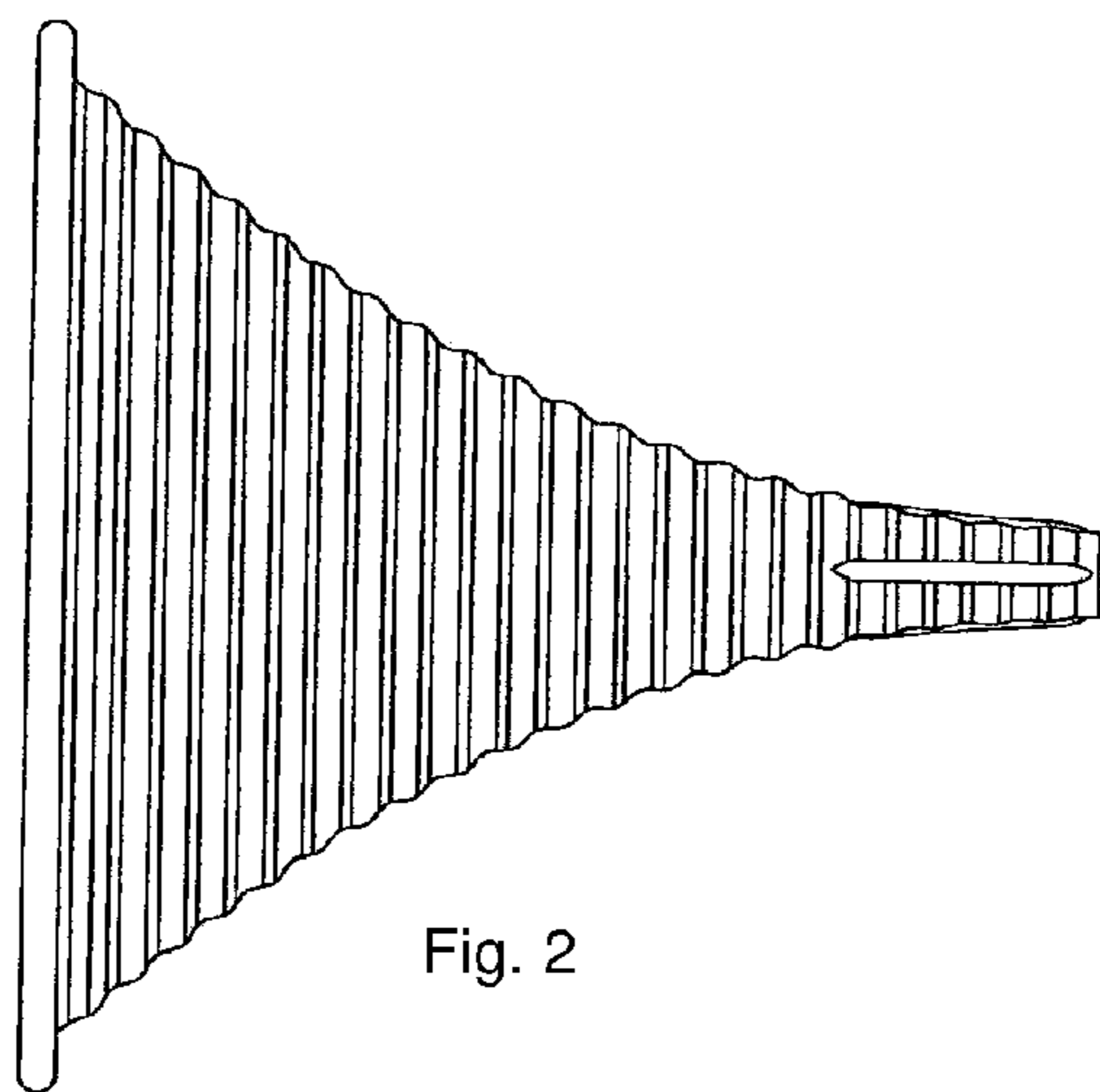


Fig. 2

Fig. 6

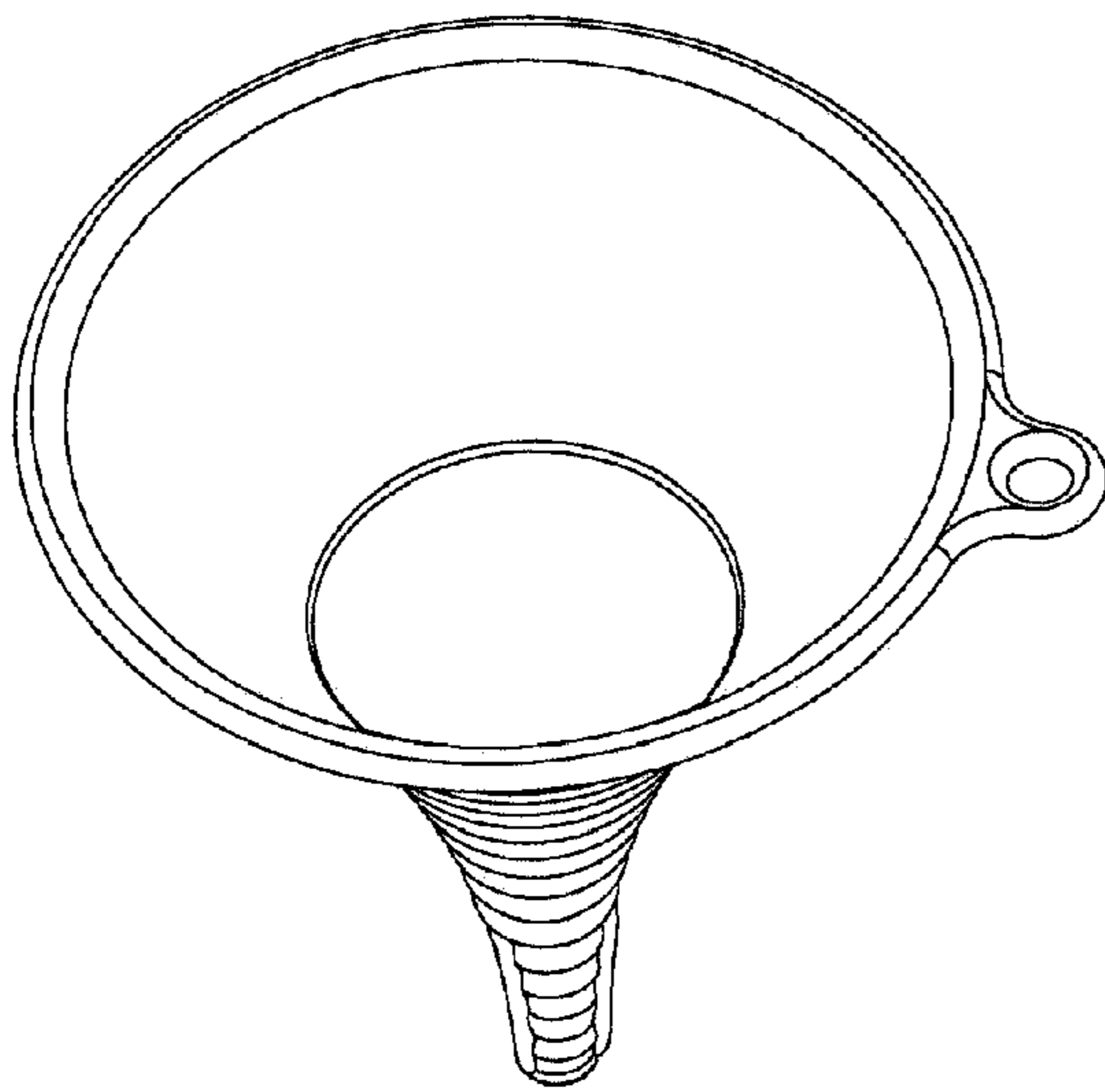


Fig. 4

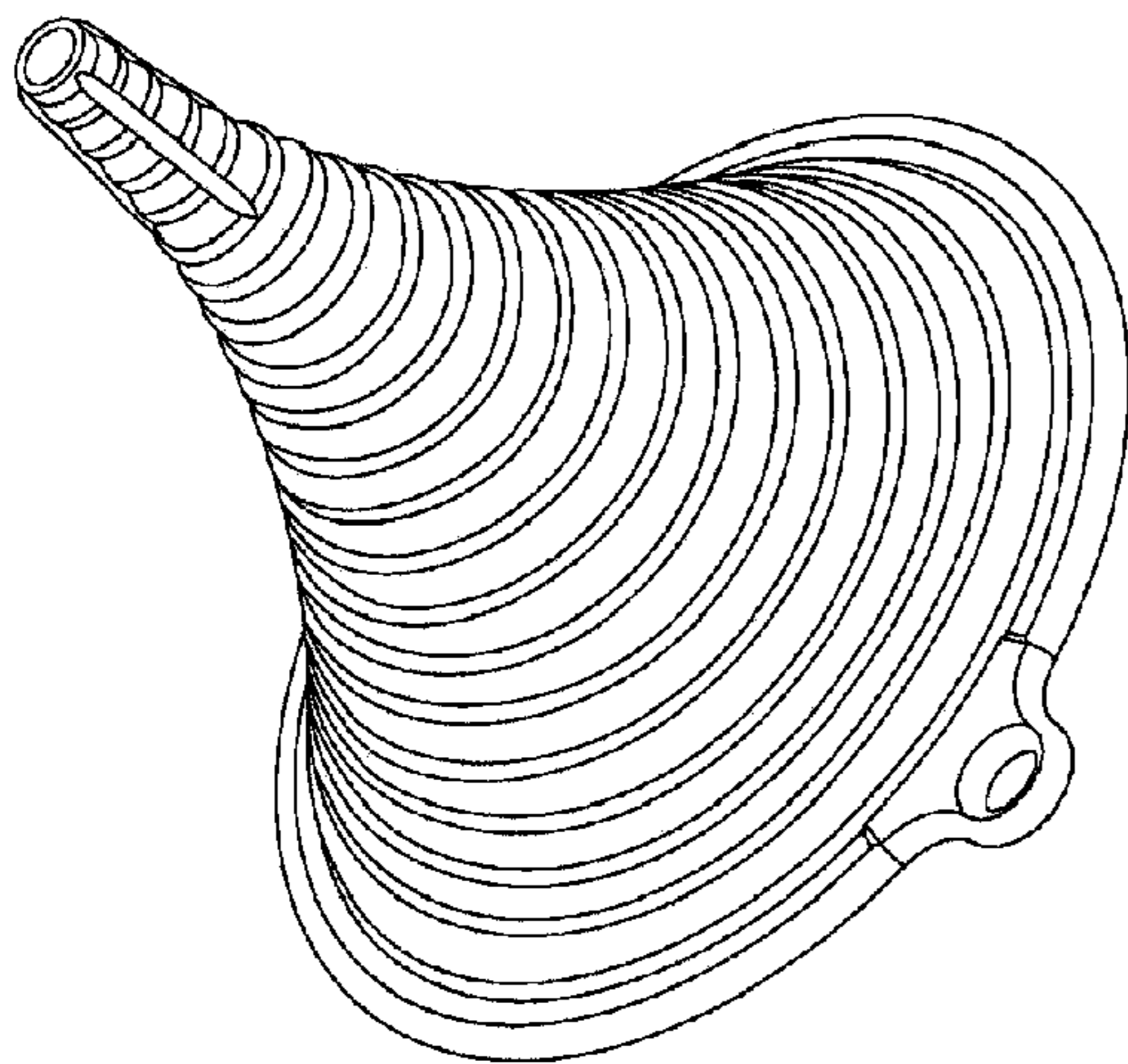
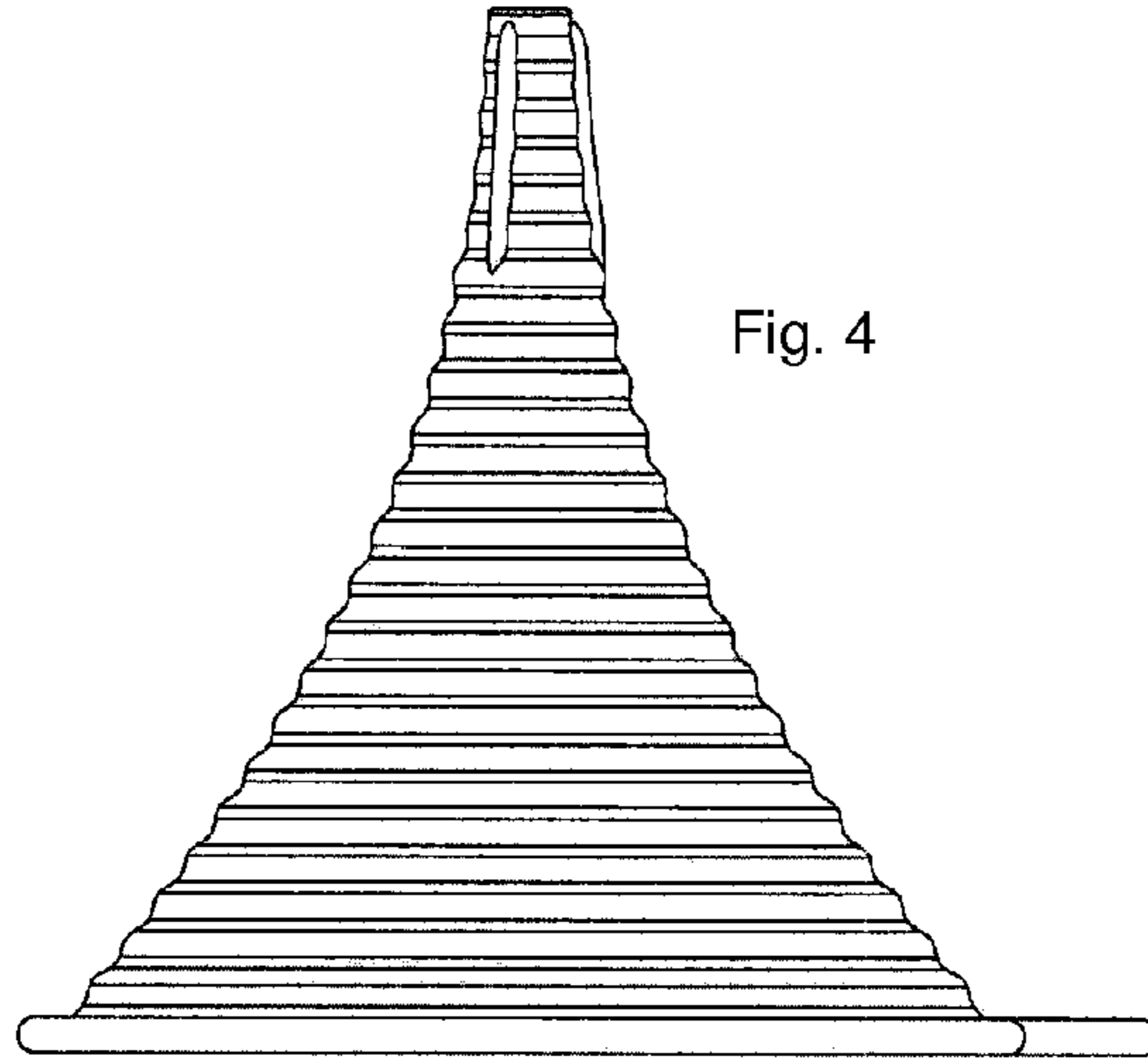


Fig. 7

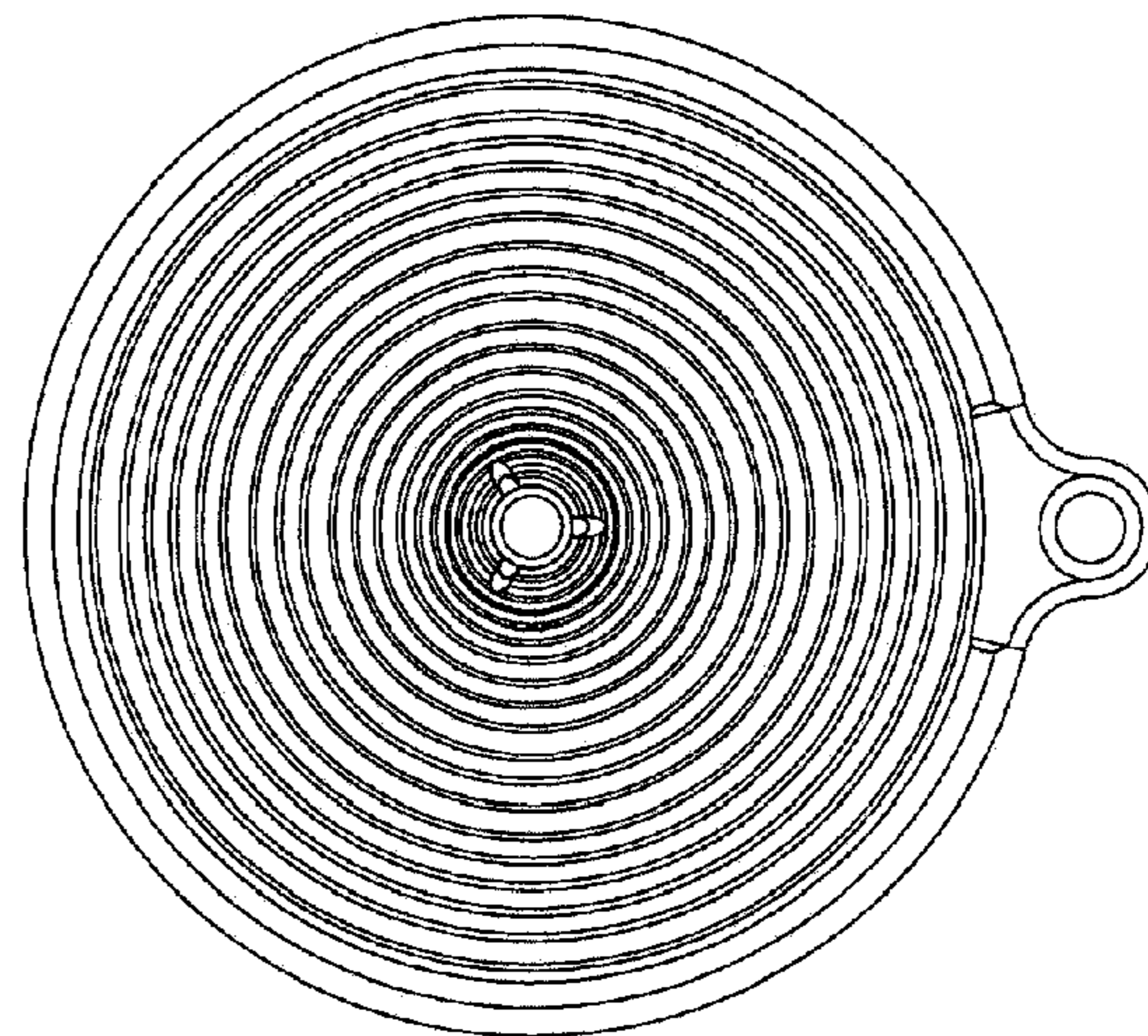


Fig. 5