

US00D567035S

(12) **United States Design Patent**  
**Ling**

(10) **Patent No.:** **US D567,035 S**

(45) **Date of Patent:** **\*\* Apr. 22, 2008**

(54) **ELECTRIC FRUIT JUICE EXTRACTORS**

D471,771 S \* 3/2003 Hallar ..... D7/665  
D472,775 S \* 4/2003 Schwamkrug ..... D7/665  
D521,815 S \* 5/2006 Fung ..... D7/665

(75) Inventor: **Lai Fan Jessie Ling**, Tsuen Wan (HK)

\* cited by examiner

(73) Assignee: **KJI Industrial Limited**, N.T. (HK)

*Primary Examiner*—Terry A Wallace

(\*\*) Term: **14 Years**

(57) **CLAIM**

(21) Appl. No.: **29/279,772**

The ornamental design for electric fruit juice extractor, as shown.

(22) Filed: **May 8, 2007**

(51) **LOC (8) Cl.** ..... **31-00**

**DESCRIPTION**

(52) **U.S. Cl.** ..... **D7/665**

FIG. 1 is a front elevational view of an electric fruit juice extractor showing my new design;

(58) **Field of Classification Search** ..... D7/665–668,

FIG. 2 is a rear elevational view thereof;

D7/373, 374, 381, 384; 99/501–513, 495,

FIG. 3 is a top plan view thereof;

99/499, 348, 357; 241/36, 37.5, 92, 100,

FIG. 4 is a bottom plan view thereof.

241/282.1

See application file for complete search history.

FIG. 5 is a right side view thereof where the left side view is a mirror image; and,

(56) **References Cited**

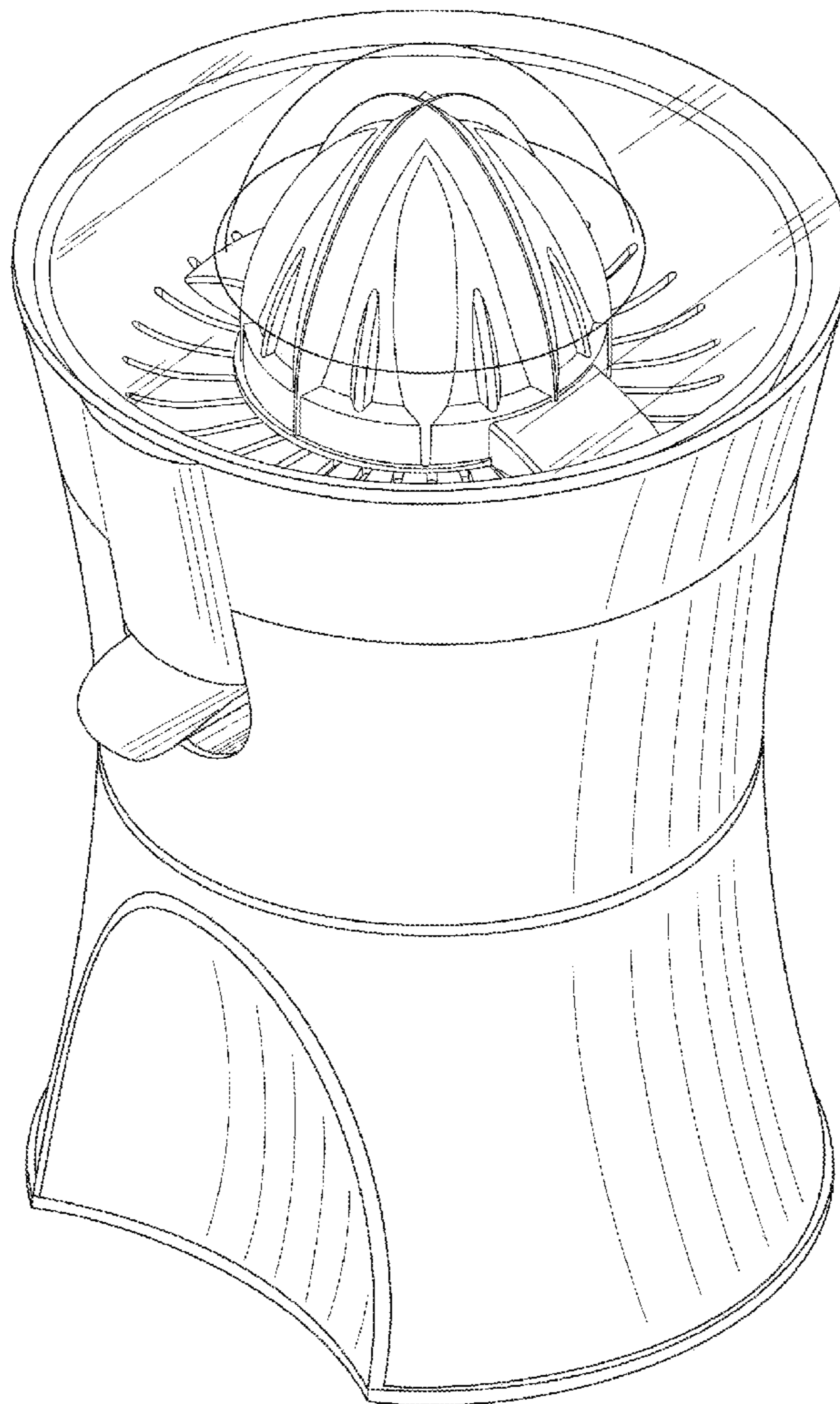
FIG. 6 is a perspective view thereof.

**U.S. PATENT DOCUMENTS**

D227,971 S \* 7/1973 Weiss ..... D7/665

D318,402 S \* 7/1991 Barrault ..... D7/665

**1 Claim, 6 Drawing Sheets**



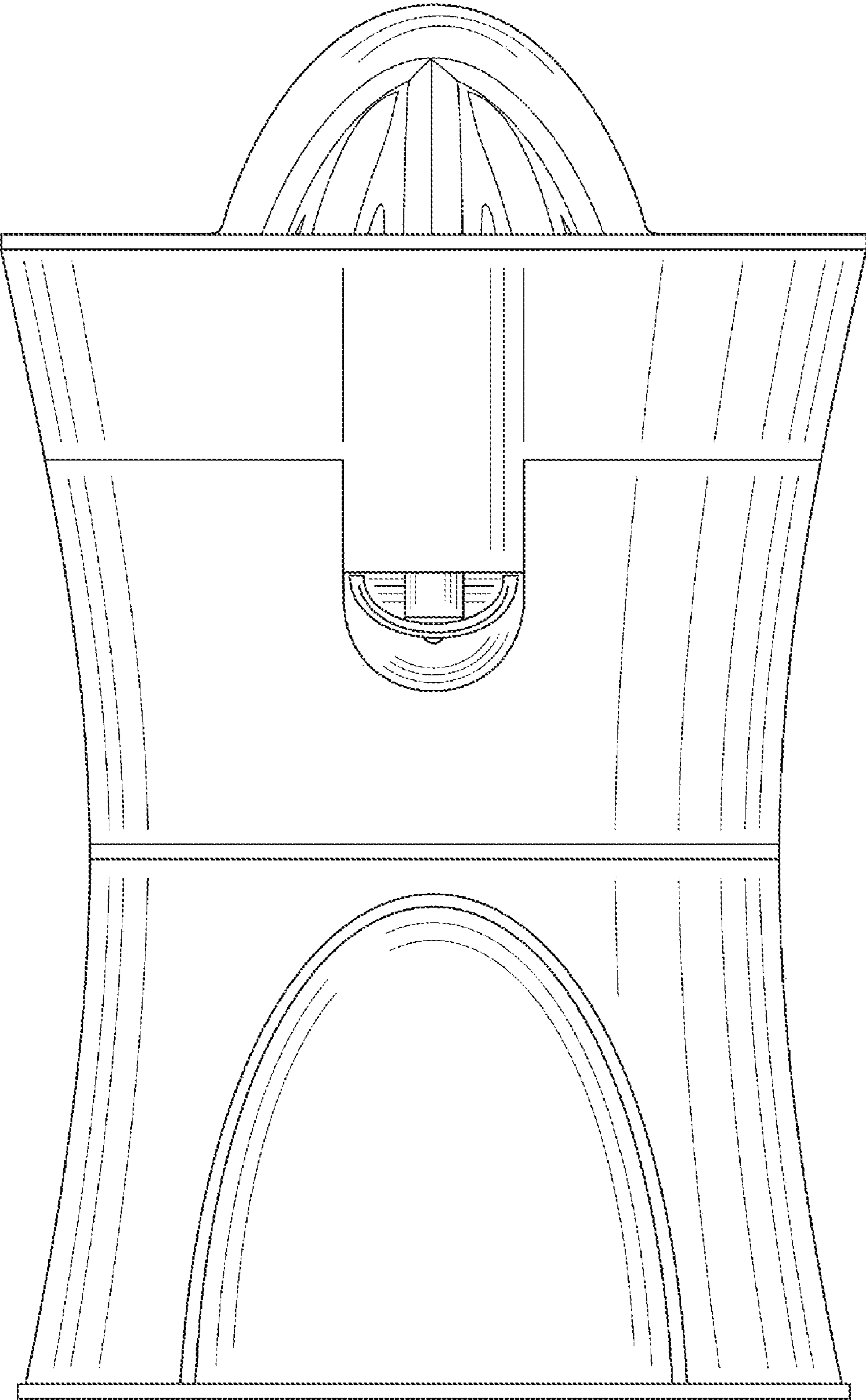


FIG. 1

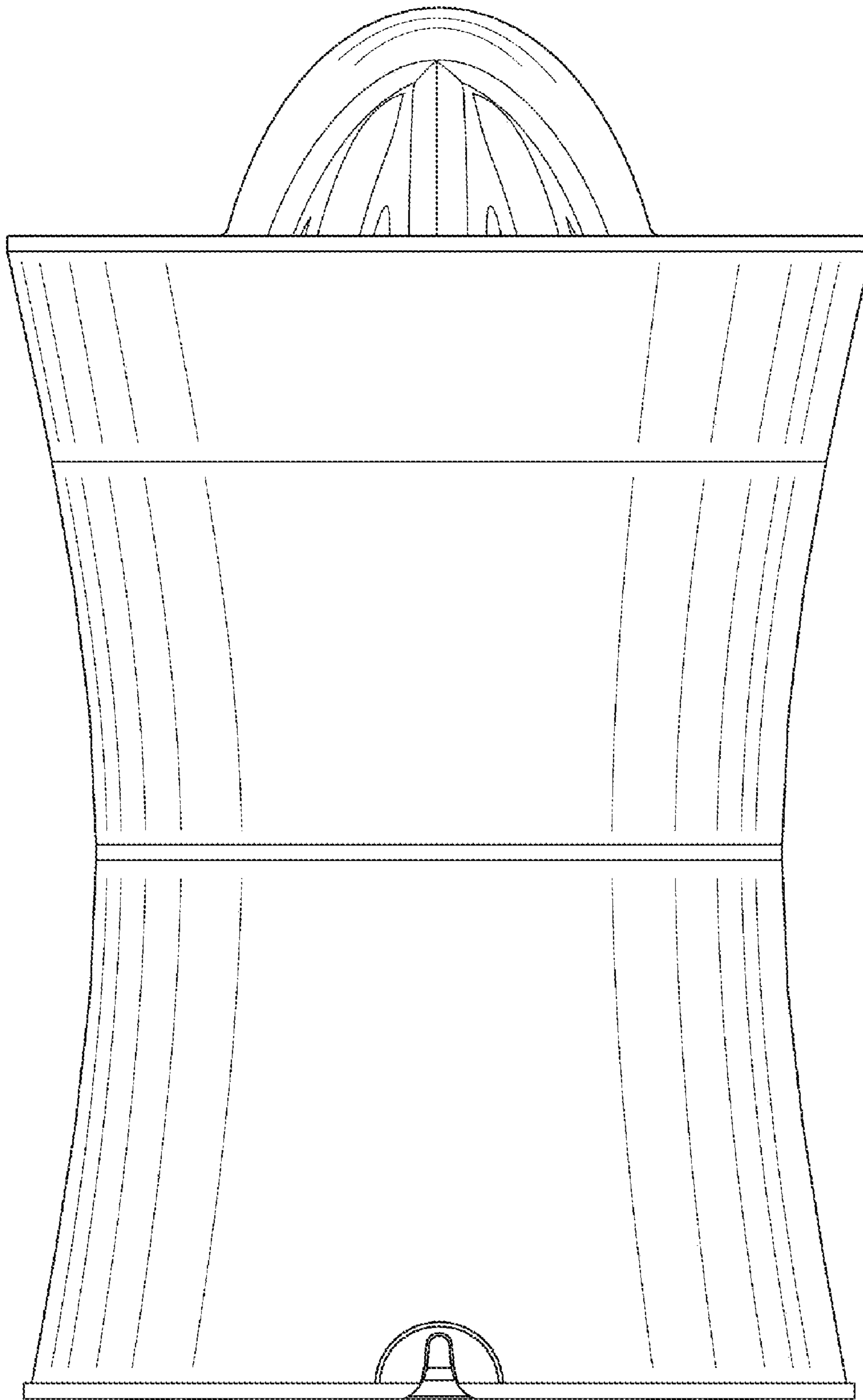


FIG. 2

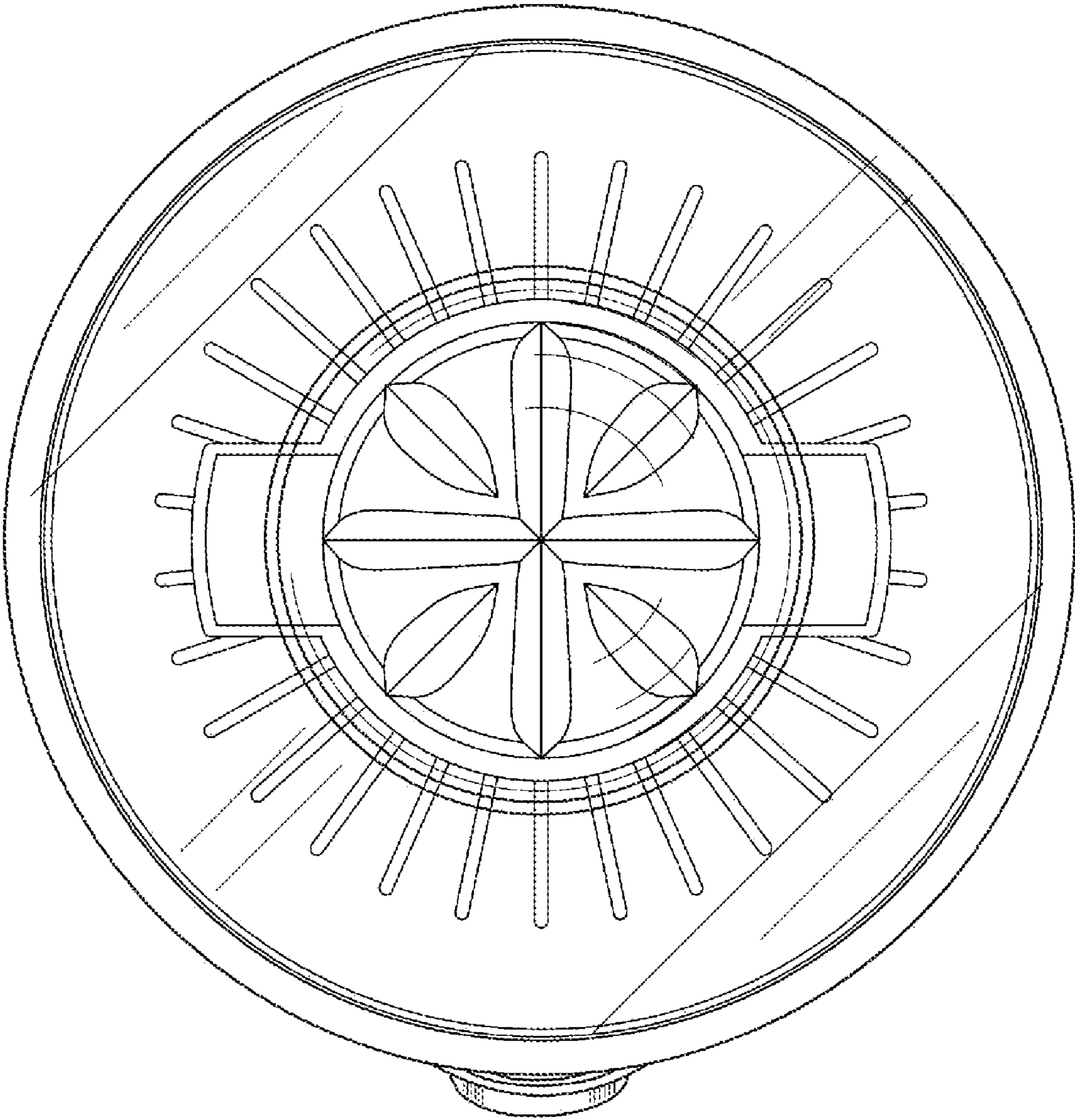


FIG. 3



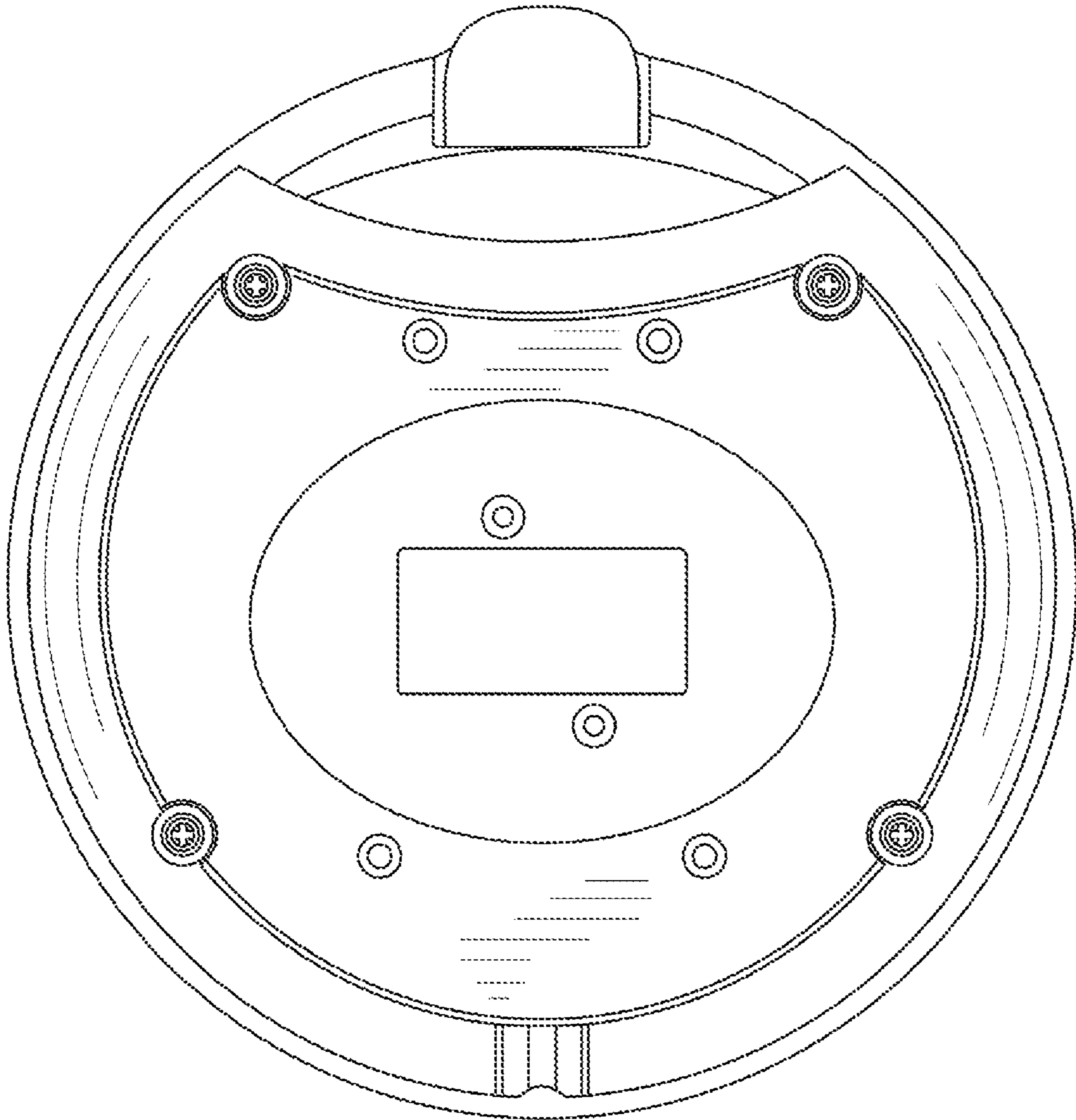


FIG. 4

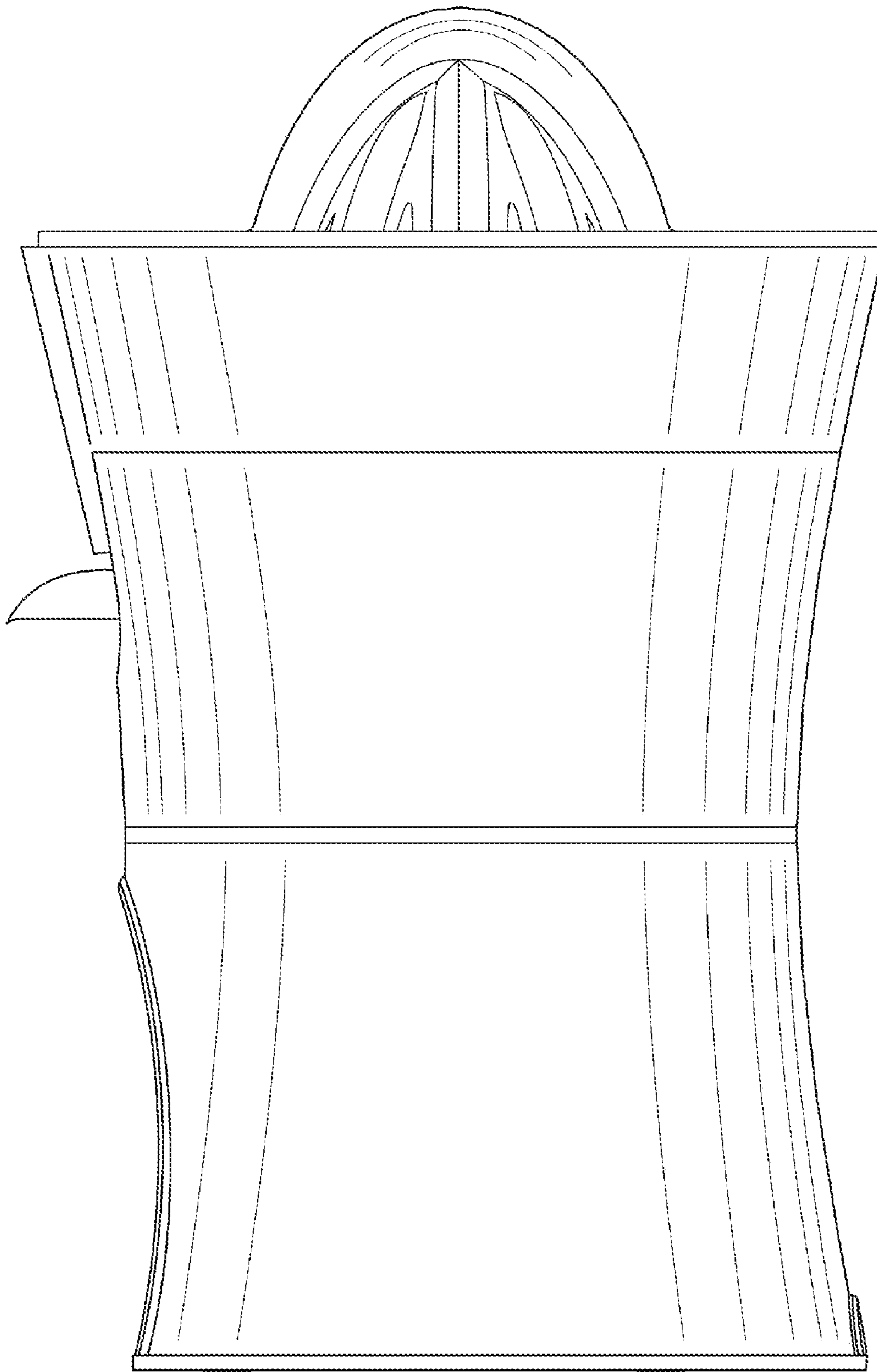


FIG. 5

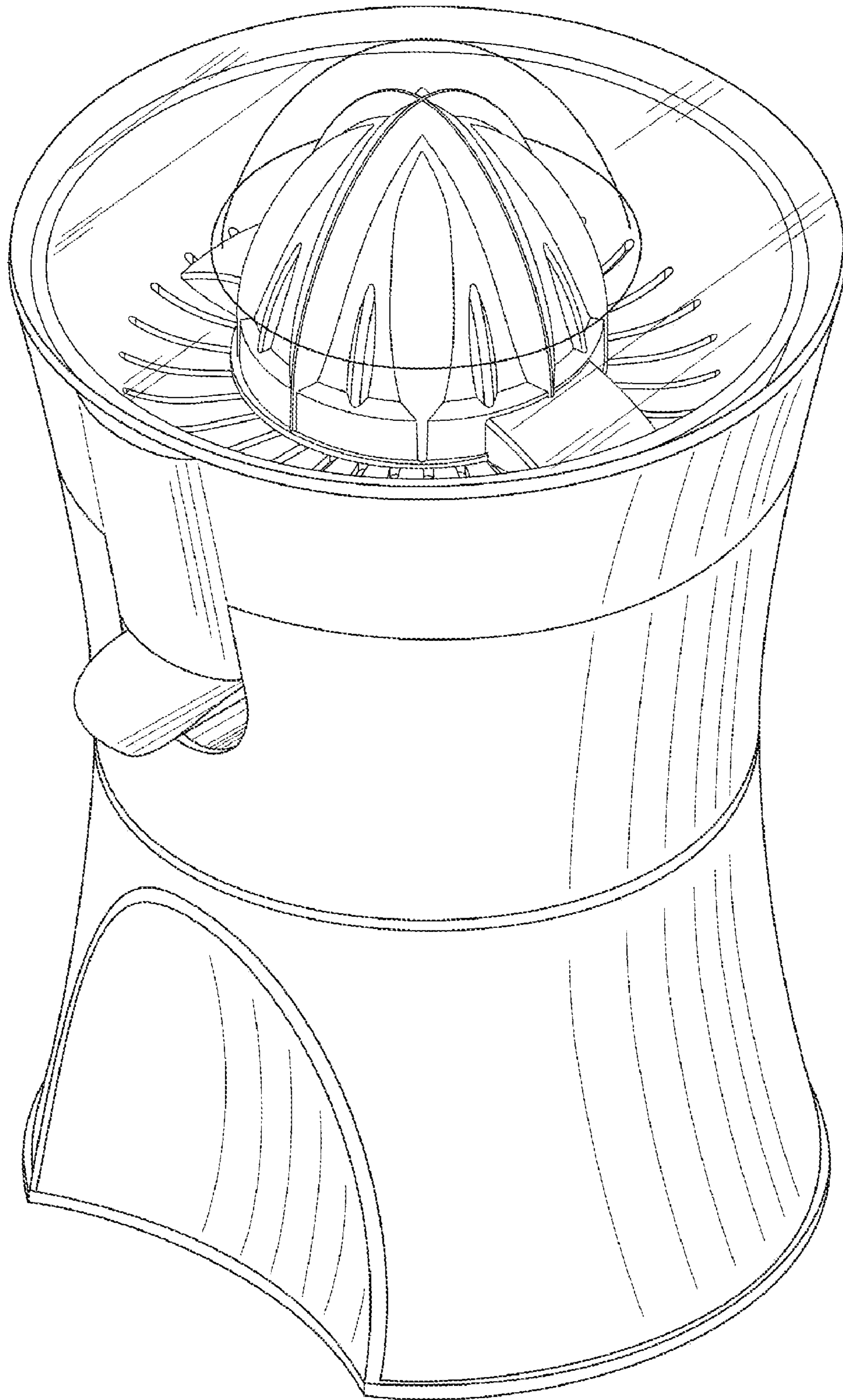


FIG. 6