



US00D567030S

(12) **United States Design Patent**
Goodman et al.

(10) **Patent No.:** **US D567,030 S**
(45) **Date of Patent:** **** Apr. 22, 2008**

(54) **FRUIT BOWL**

(75) Inventors: **Sheldon H. Goodman**, Solon, OH
(US); **Omer I. Sazir**, Cleveland, OH
(US)

(73) Assignee: **Spectrum Diversified Designs, Inc.**,
Streetsboro, OH (US)

(**) Term: **14 Years**

(21) Appl. No.: **29/279,491**

(22) Filed: **May 2, 2007**

(51) **LOC (8) Cl.** **07-01**

(52) **U.S. Cl.** **D7/601; D3/306**

(58) **Field of Classification Search** D7/601,
D7/602, 629, 584, 586, 587, 409; D6/566,
D6/567, 511, 525, 537, 540, 572, 574; D3/304,
D3/306; 211/181.1, 13.1, 41.3, 41.4, 86.01,
211/88.01; D19/76; 220/766-769, 494,
220/485, 488

See application file for complete search history.

(56) **References Cited**

U.S. PATENT DOCUMENTS

| | | | | |
|--------------|--------|----------------|-------|--------|
| D274,880 S * | 7/1984 | Bentson | | D7/409 |
| D339,266 S * | 9/1993 | Lockett | | D7/409 |
| D371,228 S * | 6/1996 | Monin | | D7/601 |
| D379,872 S * | 6/1997 | Sanchez et al. | | D3/306 |
| D397,584 S * | 9/1998 | Vannello | | D7/601 |
| D442,019 S * | 5/2001 | Wyche | | D7/354 |

| | | | | |
|--------------|--------|----------------|-------|---------|
| D446,688 S * | 8/2001 | Vannello | | D7/601 |
| D462,422 S * | 9/2002 | Conner | | D23/261 |
| D519,325 S * | 4/2006 | Goodman et al. | | D7/601 |

* cited by examiner

Primary Examiner—Terry A Wallace

(74) *Attorney, Agent, or Firm*—Pearne & Gordon LLP

(57) **CLAIM**

The ornamental design for a fruit bowl, as shown and described.

DESCRIPTION

FIG. 1 is a perspective view of a fruit bowl, showing our new design;

FIG. 2 is a front elevational view thereof;

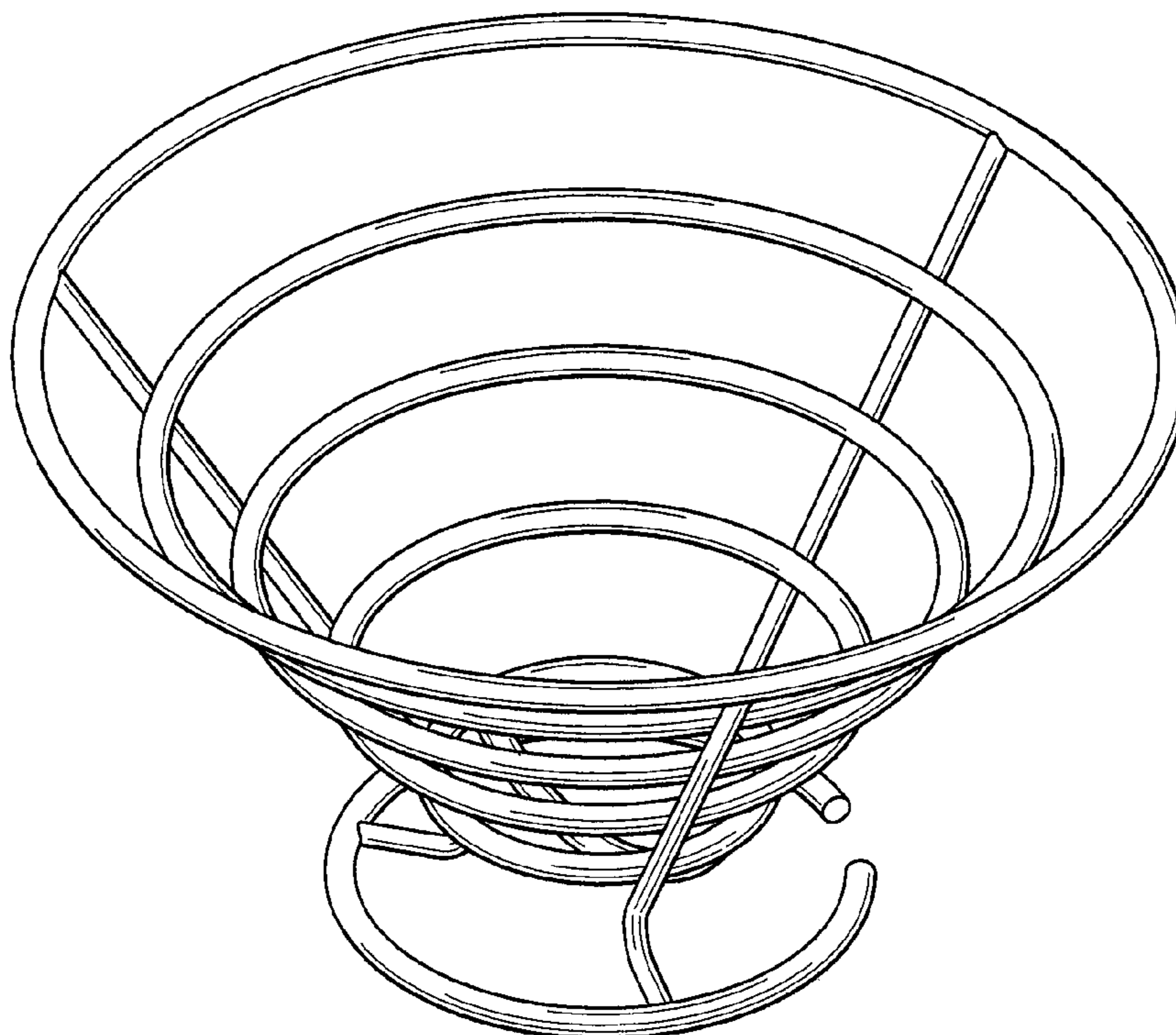
FIG. 3 is a top plan view thereof;

FIG. 4 is a bottom plan view thereof;

FIG. 5 is a perspective view of a second embodiment of a fruit bowl. The portion of the peripheral member that is shown broken away indicates that the space between the two ends may vary; and,

FIG. 6 is a front elevational view of the fruit bowl of FIG. 5, wherein the jagged broken lines form no part of the claimed design and the subject matter between the jagged lines is broken away to disclose indeterminate height and a variable number of rings.

1 Claim, 3 Drawing Sheets



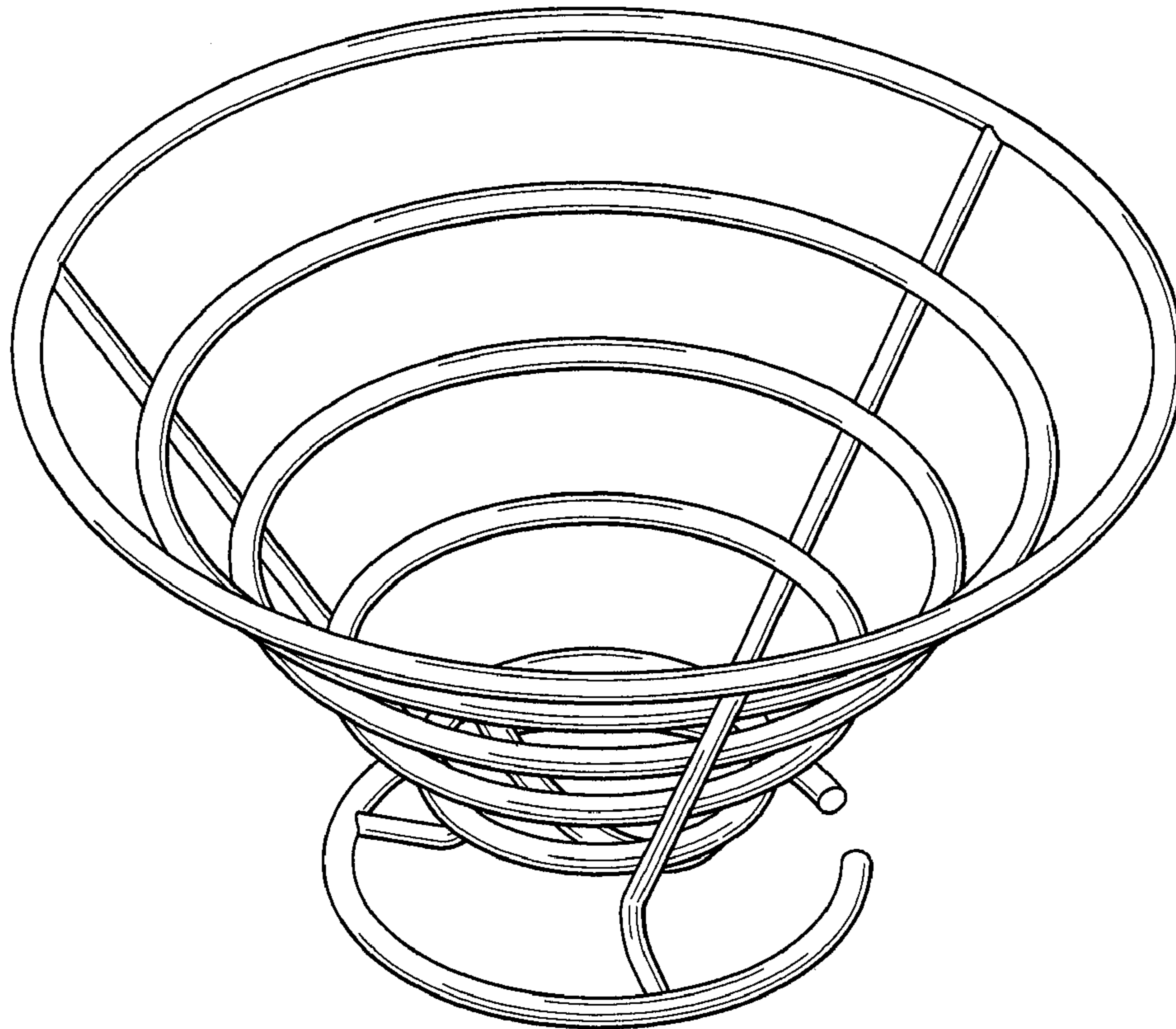


FIG. 1

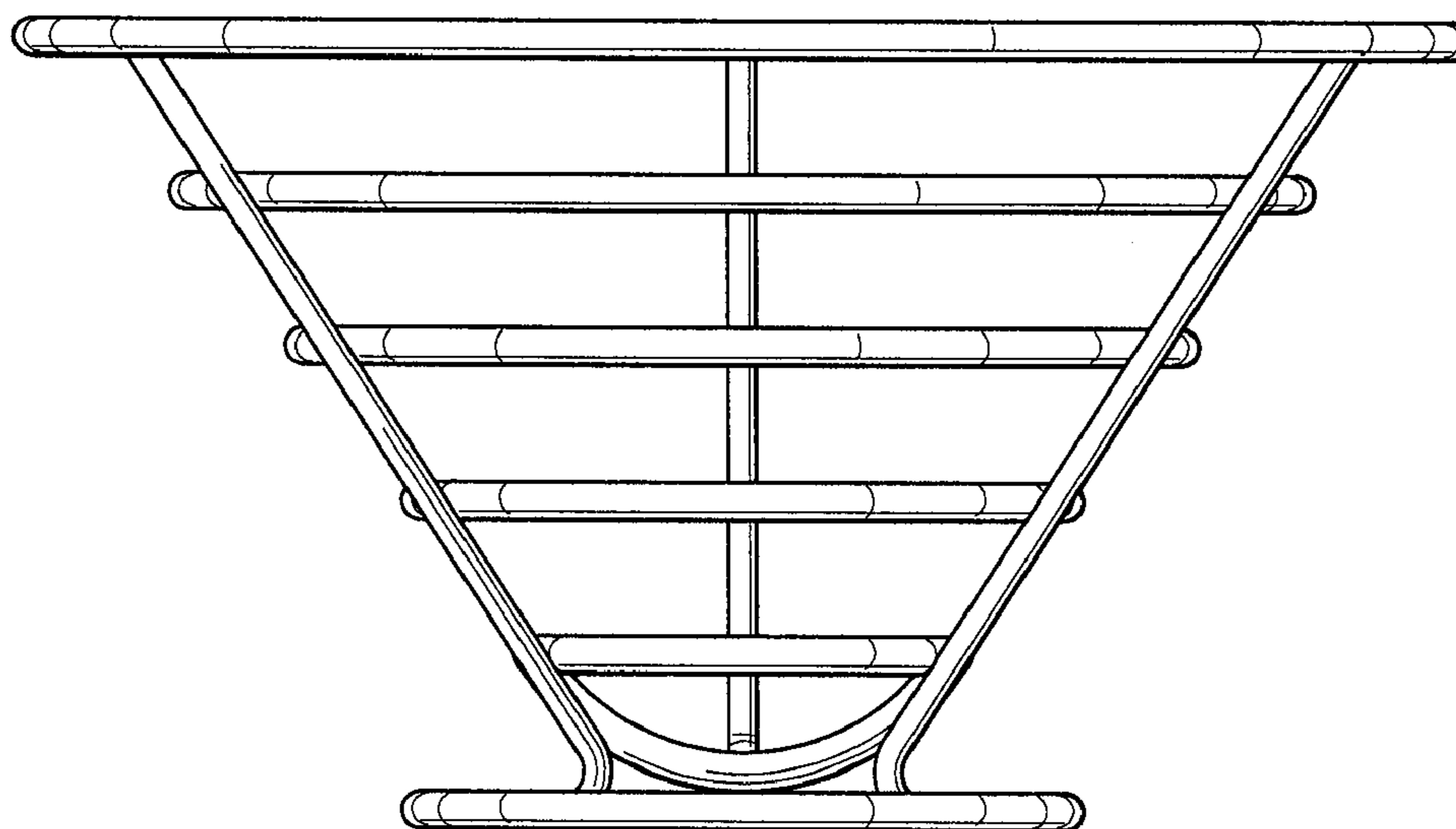


FIG. 2

FIG. 3

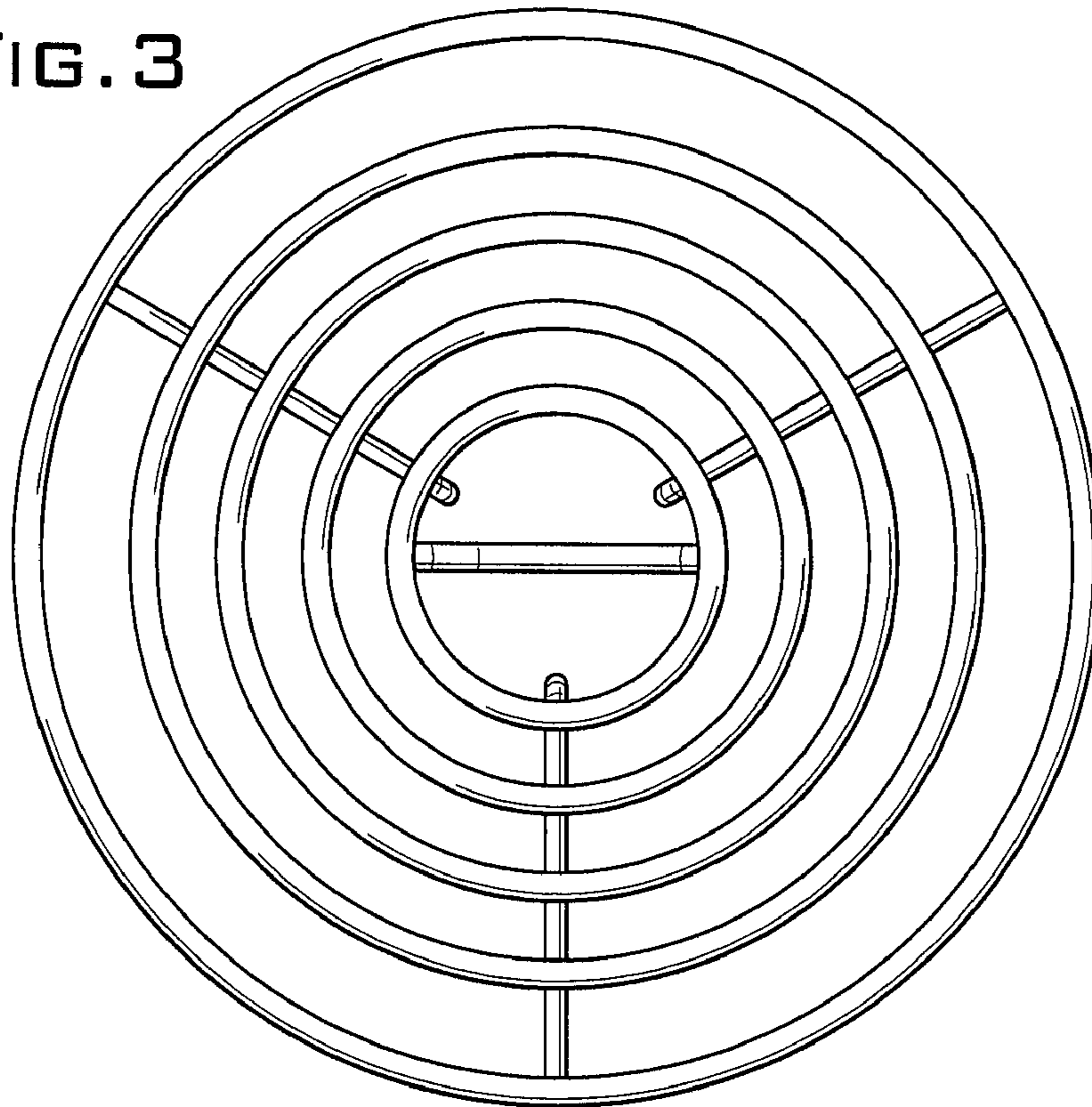
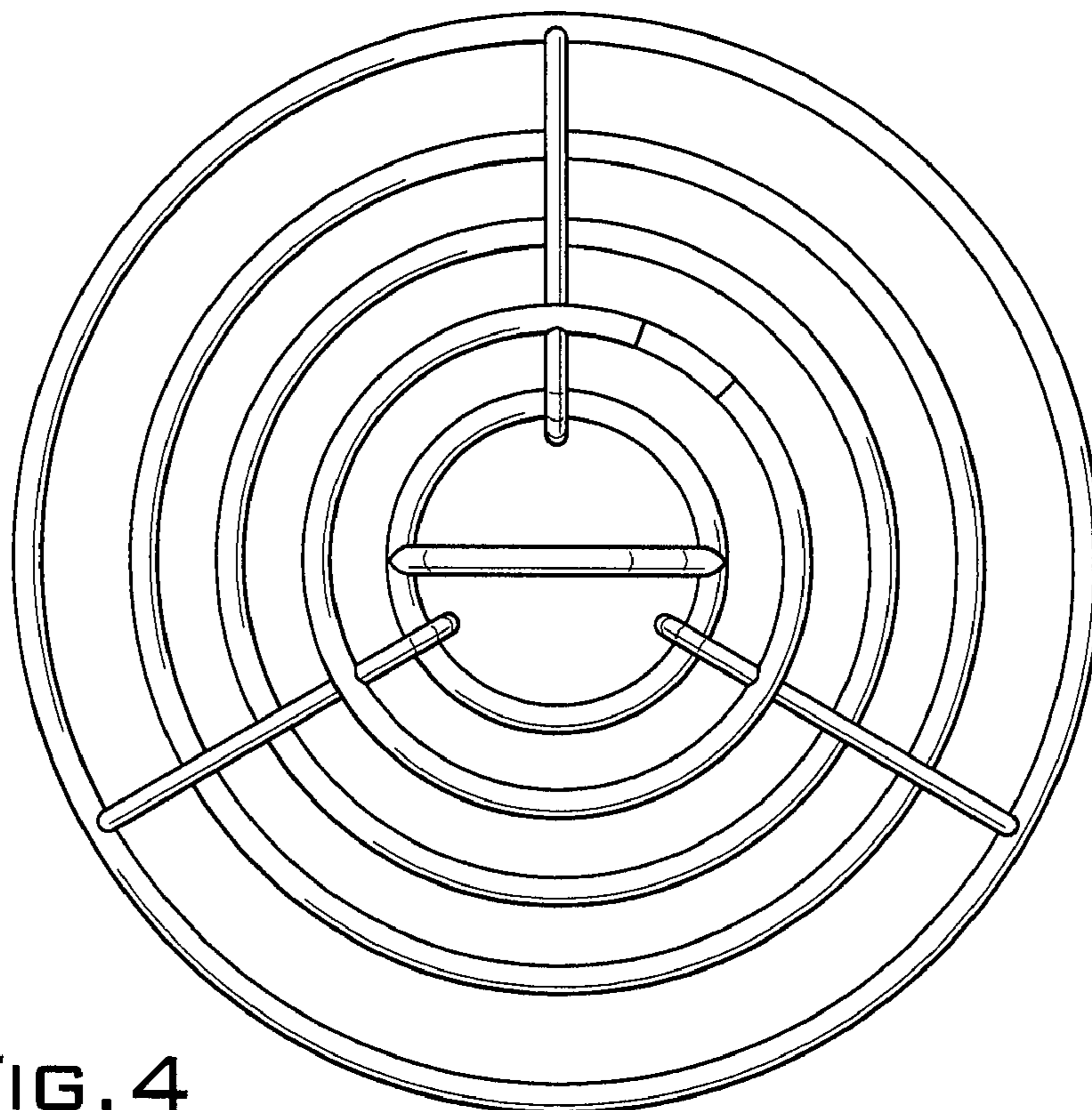


FIG. 4



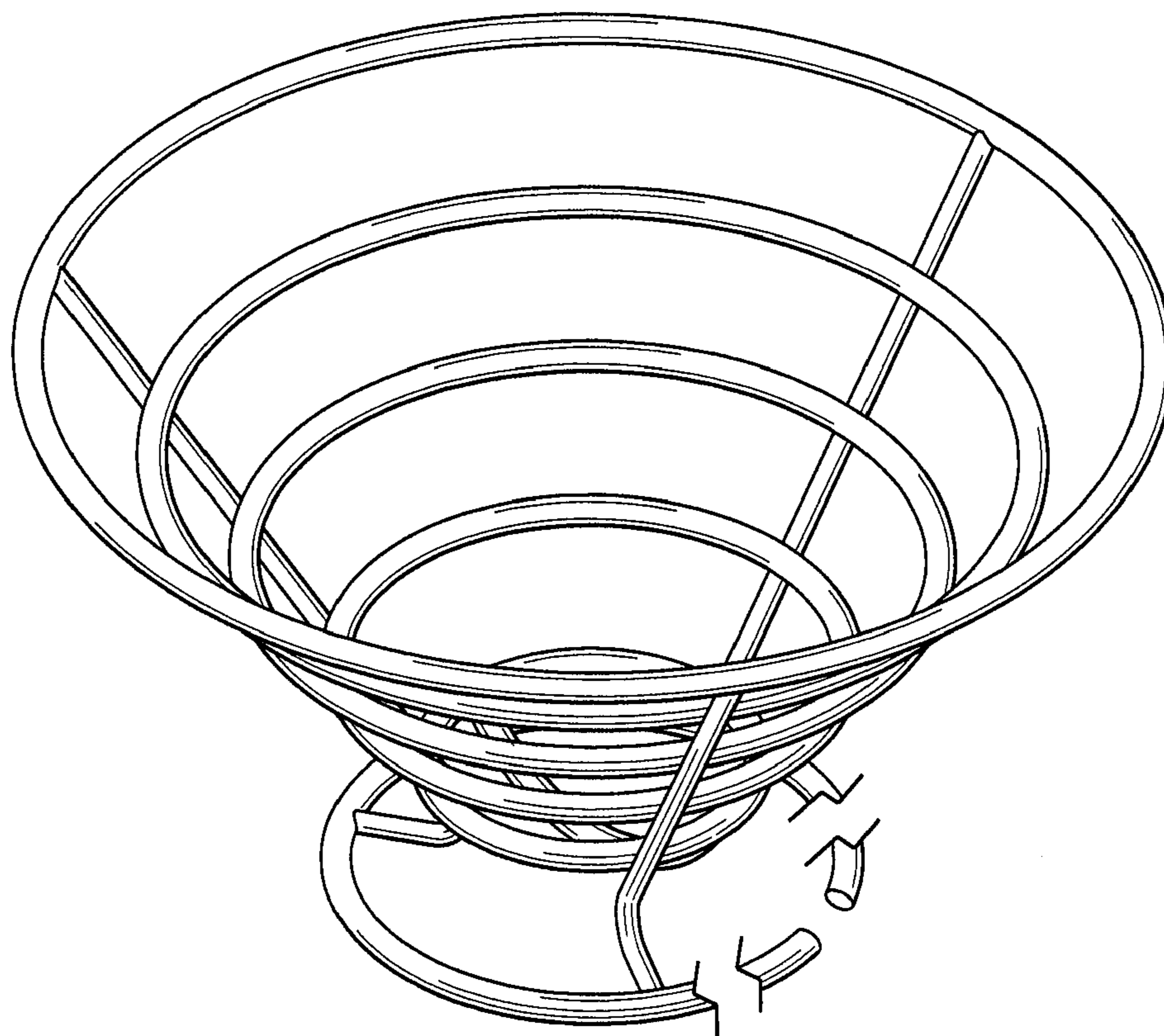


FIG. 5

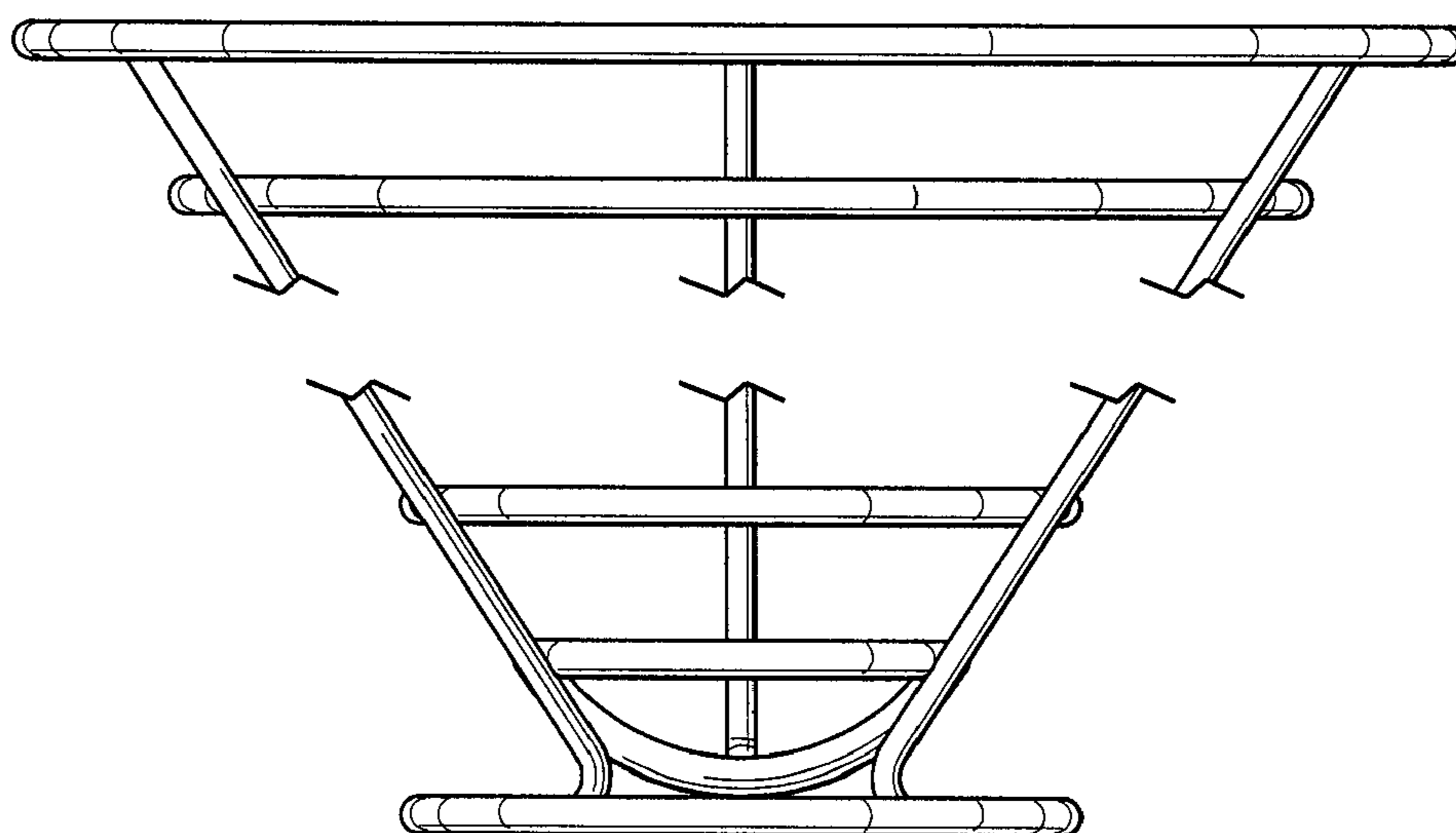


FIG. 6