

US00D567028S

(12) **United States Design Patent**
Plante et al.

(10) **Patent No.:** **US D567,028 S**

(45) **Date of Patent:** **** Apr. 22, 2008**

(54) **CONTAINER**

(75) Inventors: **Thomas Plante**, Westport, MA (US);
Jeffrey Chace, South Dartmouth, MA
(US)

(73) Assignee: **Invision Products, LLC**, Seekonk, MA
(US)

(**) Term: **14 Years**

(21) Appl. No.: **29/265,642**

(22) Filed: **Sep. 6, 2006**

(51) **LOC (8) Cl.** **07-01**

(52) **U.S. Cl.** **D7/542; D7/538**

(58) **Field of Classification Search** D7/354,
D7/360, 500, 538, 542, 543, 560, 562, 602,
D7/629, 615, 703; D9/425, 432; 220/495.03,
220/560, 573.1, 574

See application file for complete search history.

(56) **References Cited**

U.S. PATENT DOCUMENTS

D115,160 S * 6/1939 Stopa D7/629

D147,000 S * 6/1947 Wemyss D7/360
D207,543 S * 5/1967 Refsgaard et al. D7/360
D277,632 S * 2/1985 Staufenberg D7/629
4,532,397 A * 7/1985 McClelland 219/733
D326,797 S * 6/1992 Pomroy et al. D7/538
D475,620 S * 6/2003 Chen et al. D9/425
D527,956 S * 9/2006 Doliwa D7/629
D544,295 S * 6/2007 Lion et al. D7/354
D544,755 S * 6/2007 Diesman D7/602

* cited by examiner

Primary Examiner—Philip S. Hyder

Assistant Examiner—Cynthia Underwood

(74) *Attorney, Agent, or Firm*—Salter & Michaelson

(57) **CLAIM**

The ornamental design for a container, as described.

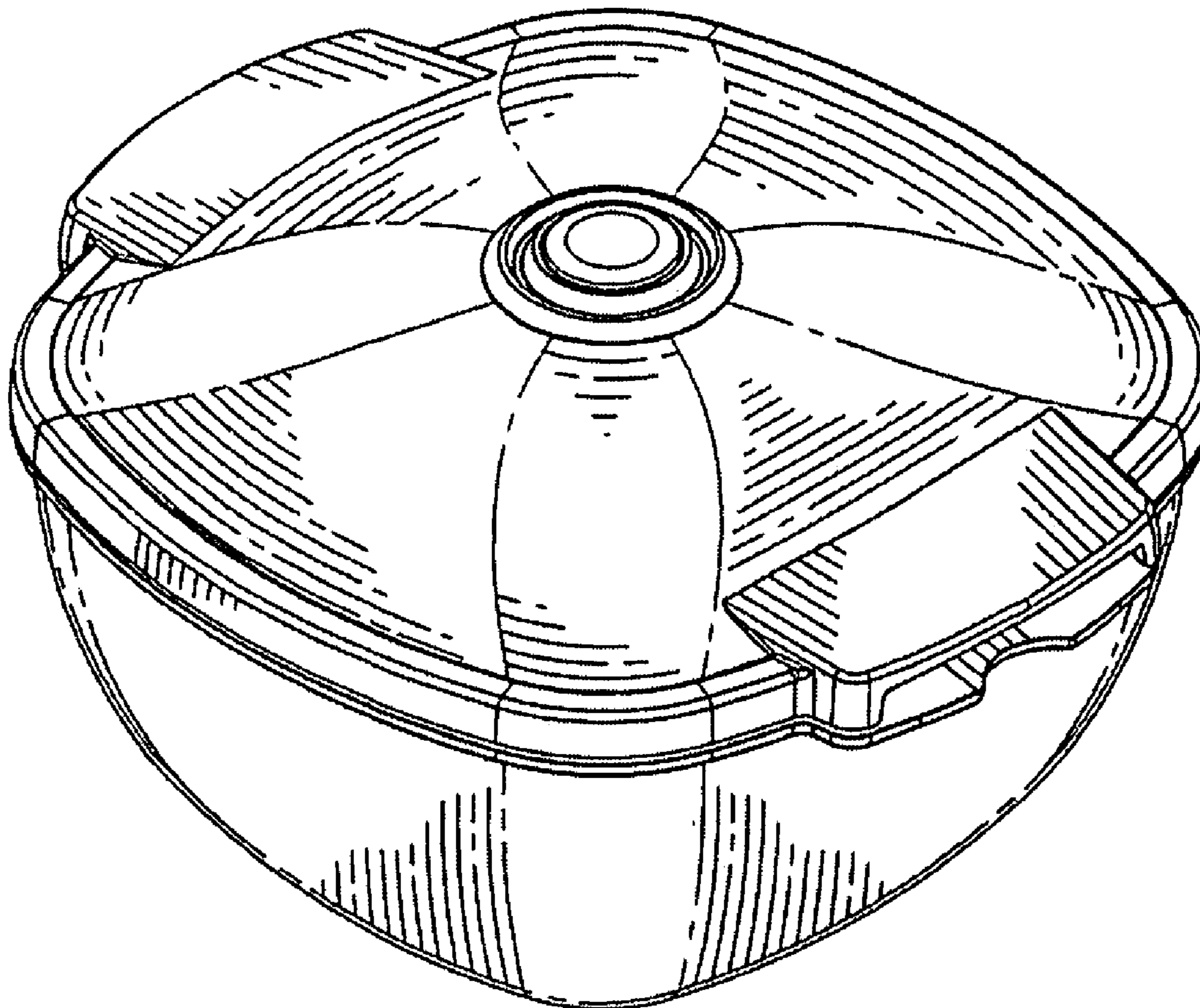
DESCRIPTION

FIG. 1 is a top perspective view of our container;

FIG. 2 is a plan view thereof; and,

FIG. 3 is a front view thereof.

1 Claim, 3 Drawing Sheets



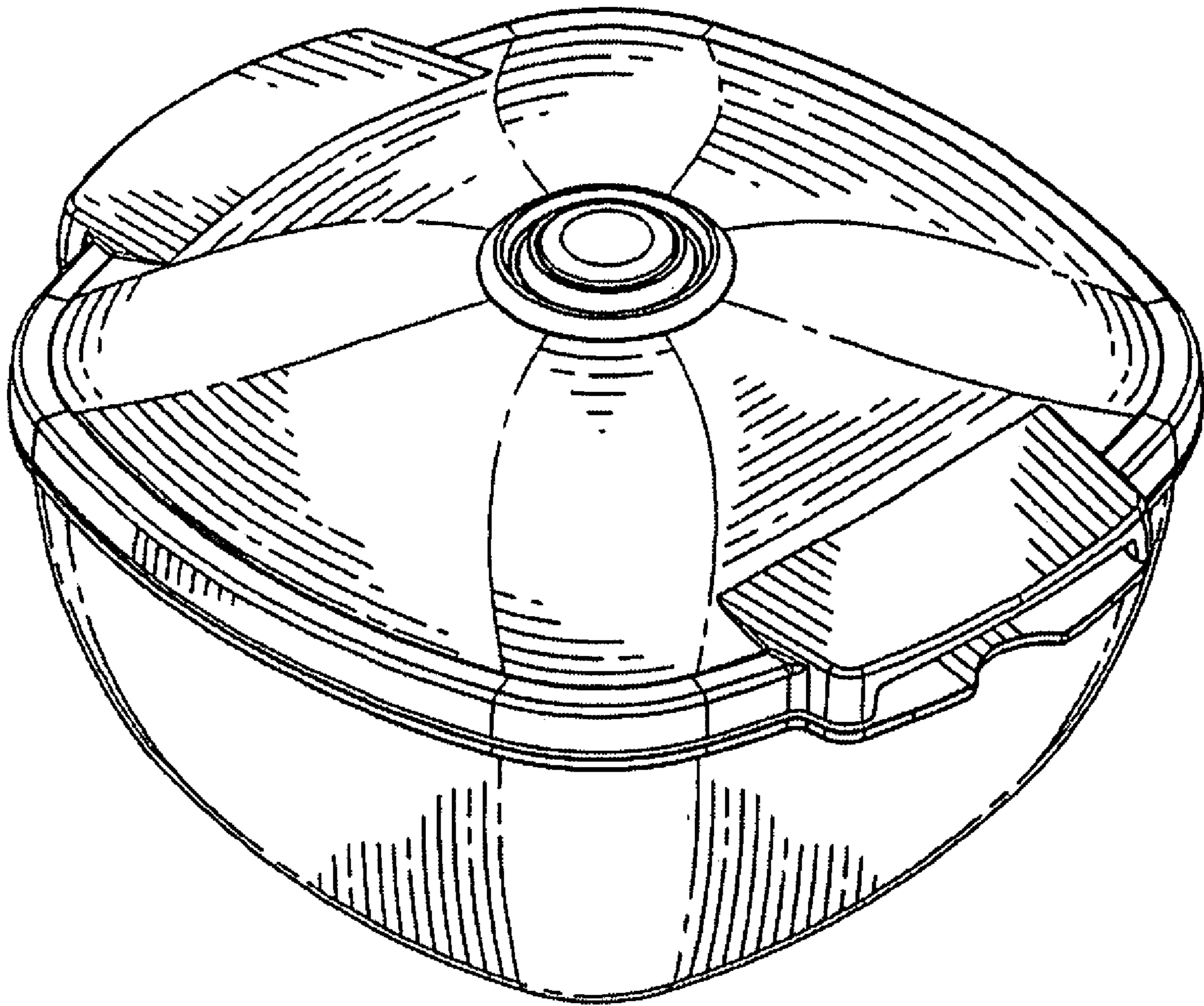


FIG. 1

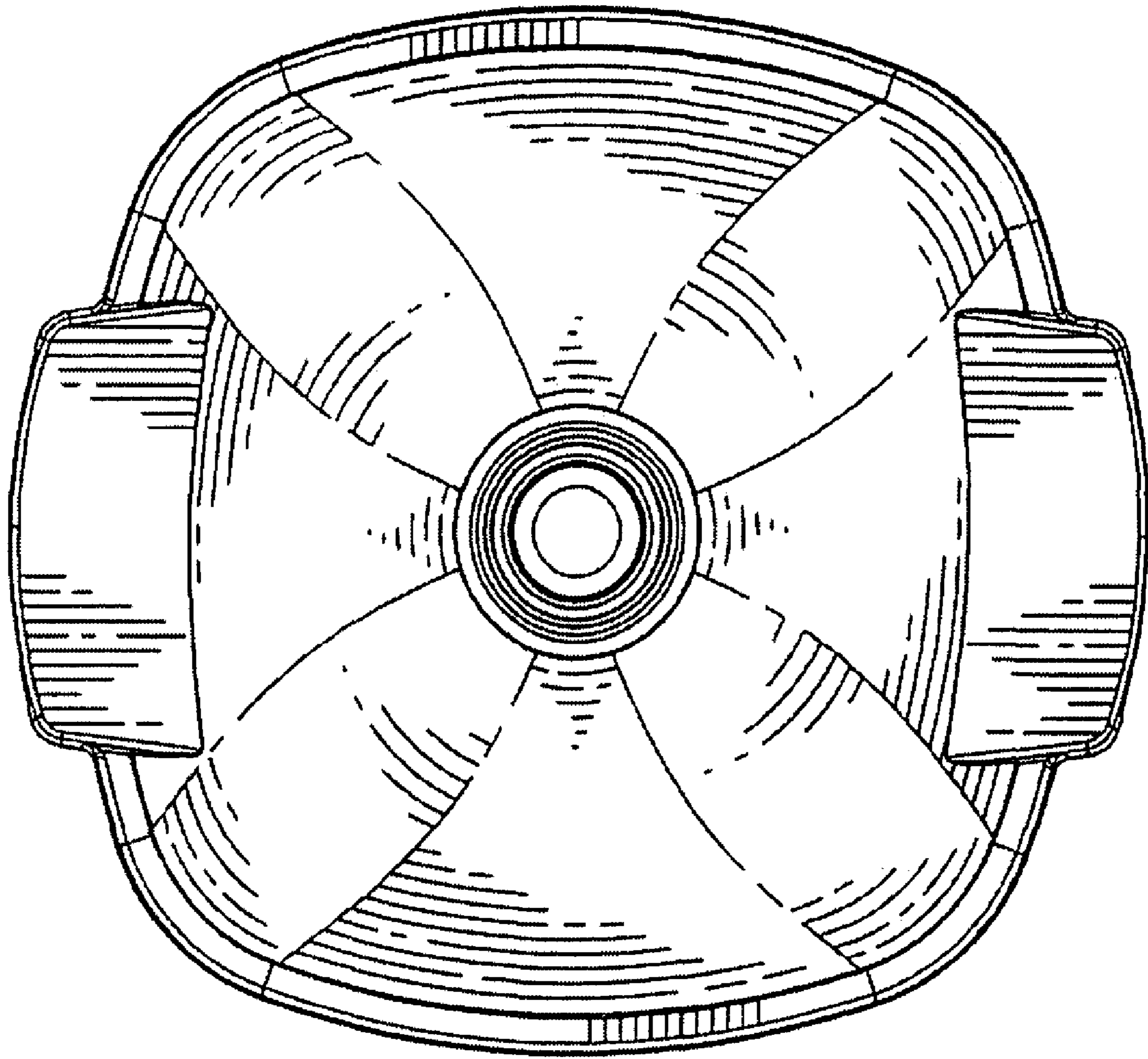


FIG. 2

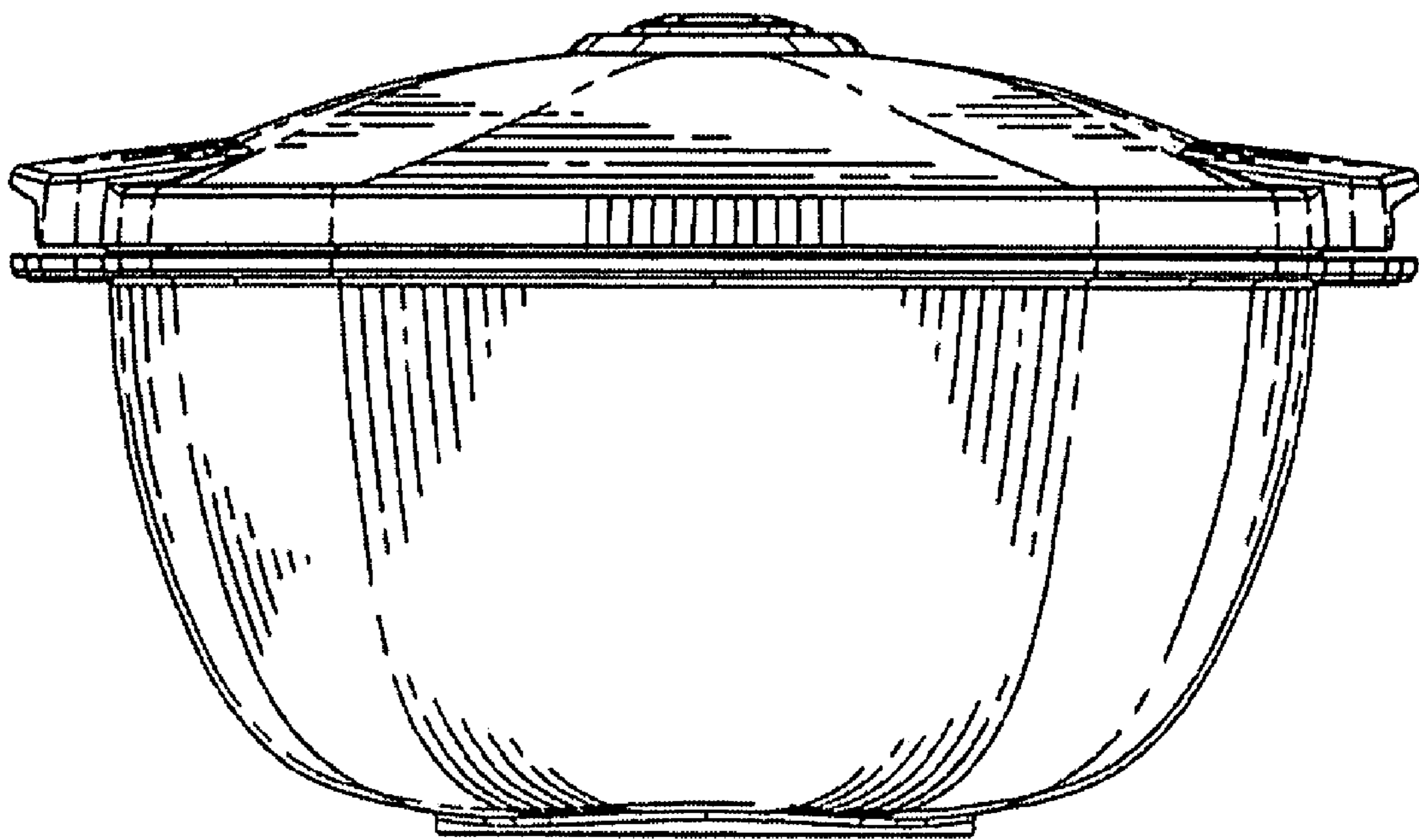


FIG. 3