



US00D567025S

(12) **United States Design Patent**
Claffey

(10) **Patent No.:** **US D567,025 S**

(45) **Date of Patent:** **** Apr. 22, 2008**

(54) **COFFEE MUG**

(76) **Inventor:** **Daniel F. Claffey**, 25444 Hardy Pl.,
Stevenson Ranch, CA (US) 91381

(**) **Term:** **14 Years**

(21) **Appl. No.:** **29/283,504**

(22) **Filed:** **Aug. 16, 2007**

(51) **LOC (8) Cl.** **07-01**

(52) **U.S. Cl.** **D7/515; D7/514; D7/536**

(58) **Field of Classification Search** **D7/533,**
D7/536, 514, 515; 220/592.17, 710.5, 771;
215/396, 398, 10; D21/480; D9/600, 572
See application file for complete search history.

(56) **References Cited**

U.S. PATENT DOCUMENTS

| | | | | |
|--------------|---------|-------------|-------|--------|
| D224,623 S * | 8/1972 | Sandler | | D7/536 |
| D293,189 S * | 12/1987 | Sandler | | D7/536 |
| D337,695 S * | 7/1993 | Vogel | | D7/516 |
| D444,674 S * | 7/2001 | Allen | | D7/514 |
| D459,948 S * | 7/2002 | Cote et al. | | D7/536 |
| D473,785 S * | 4/2003 | Ahmed | | D9/600 |
| D485,730 S * | 1/2004 | Thun | | D7/511 |
| D518,999 S * | 4/2006 | Laib | | D7/536 |

| | | | | |
|--------------|---------|-----------------|-------|--------|
| D520,376 S * | 5/2006 | Nolle | | D9/600 |
| D551,023 S * | 9/2007 | Natalino et al. | | D7/533 |
| D552,931 S * | 10/2007 | Bodum | | D7/536 |
| D557,563 S * | 12/2007 | Bodum | | D7/536 |
| D557,564 S * | 12/2007 | Bodum | | D7/536 |
| D560,972 S * | 2/2008 | Sung | | D7/536 |

* cited by examiner

Primary Examiner—Marianne Pandozzi

(74) *Attorney, Agent, or Firm*—Kelly Lowry & Kelley, LLP

(57) **CLAIM**

The ornamental design for a coffee mug, as shown.

DESCRIPTION

FIG. 1 is a top, rear and right-side perspective view of a coffee mug embodying my new design;

FIG. 2 is a front elevational view thereof;

FIG. 3 is a rear elevational view thereof;

FIG. 4 is a right-side elevational view thereof;

FIG. 5 is a left-side elevational view thereof;

FIG. 6 is a top plan view thereof; and,

FIG. 7 is a bottom plan view thereof.

1 Claim, 2 Drawing Sheets

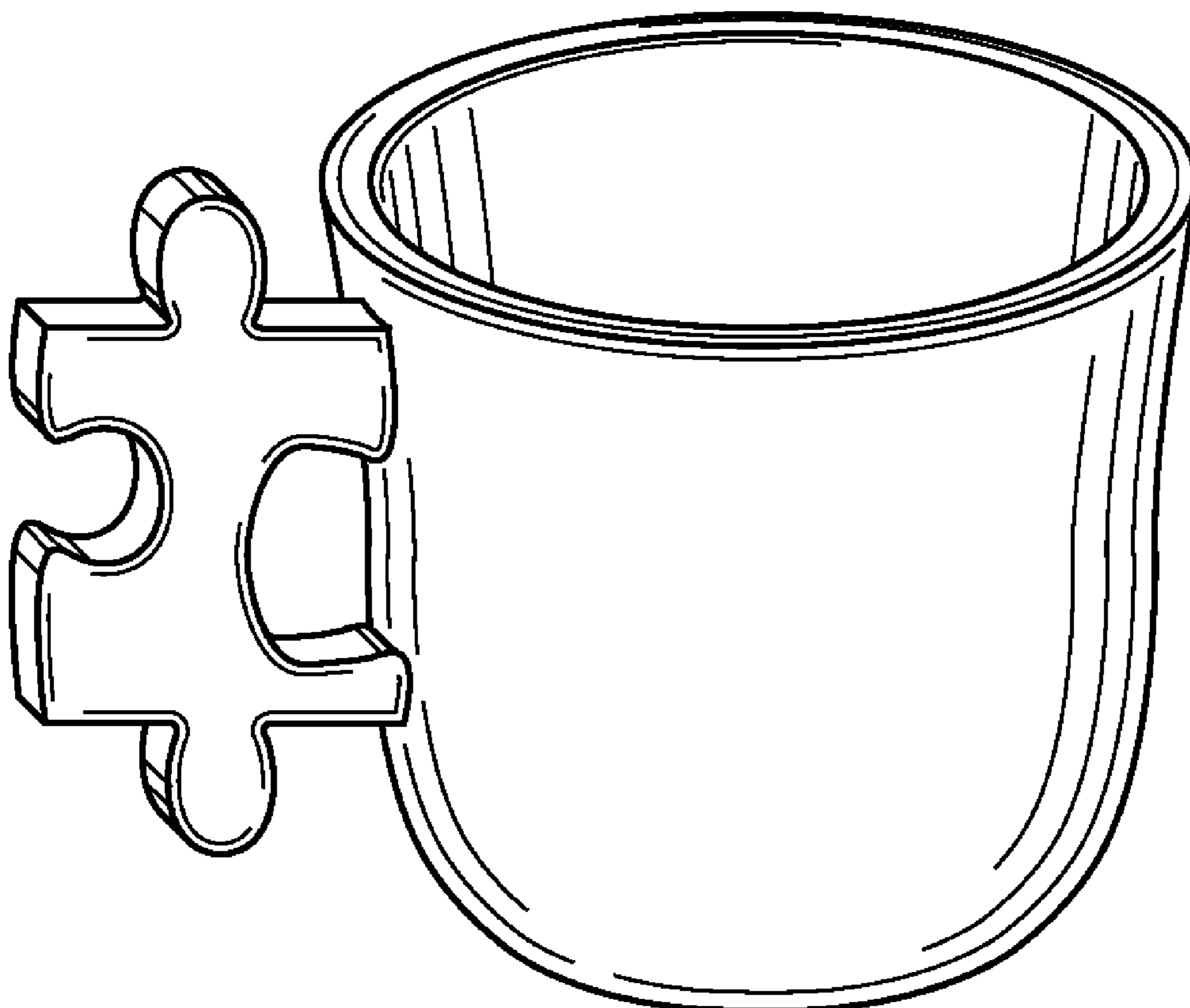


FIG. 1

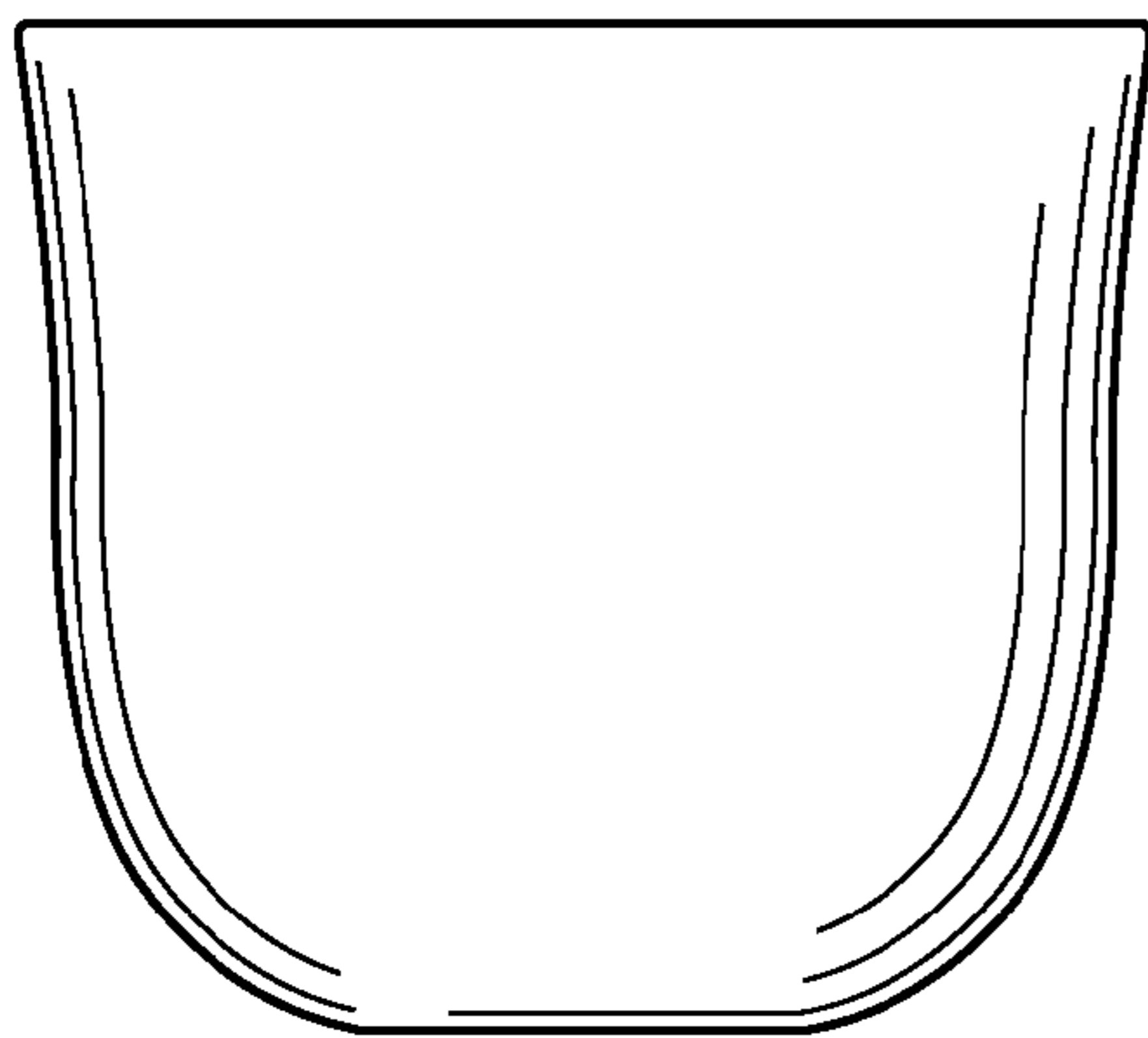
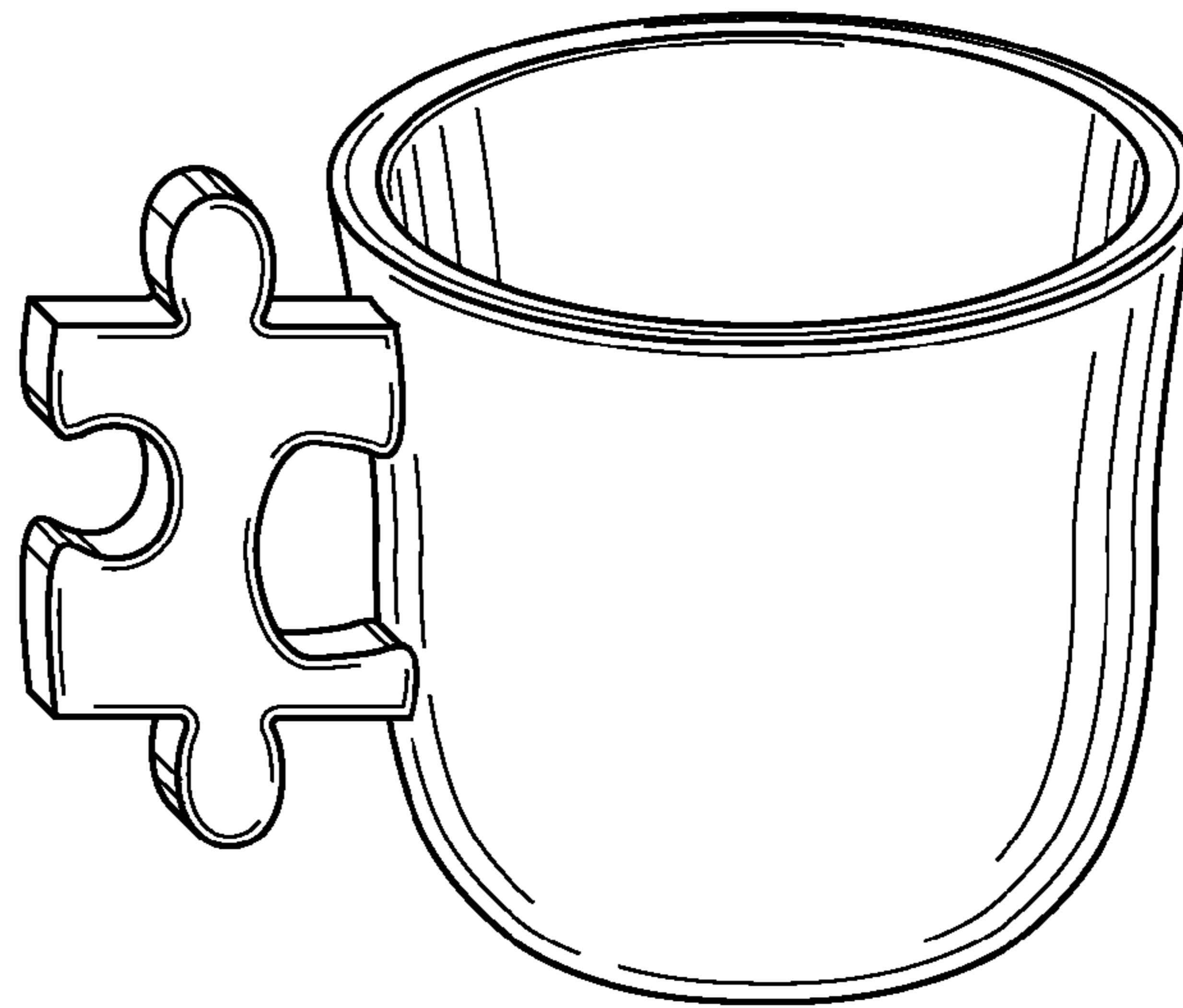


FIG. 2

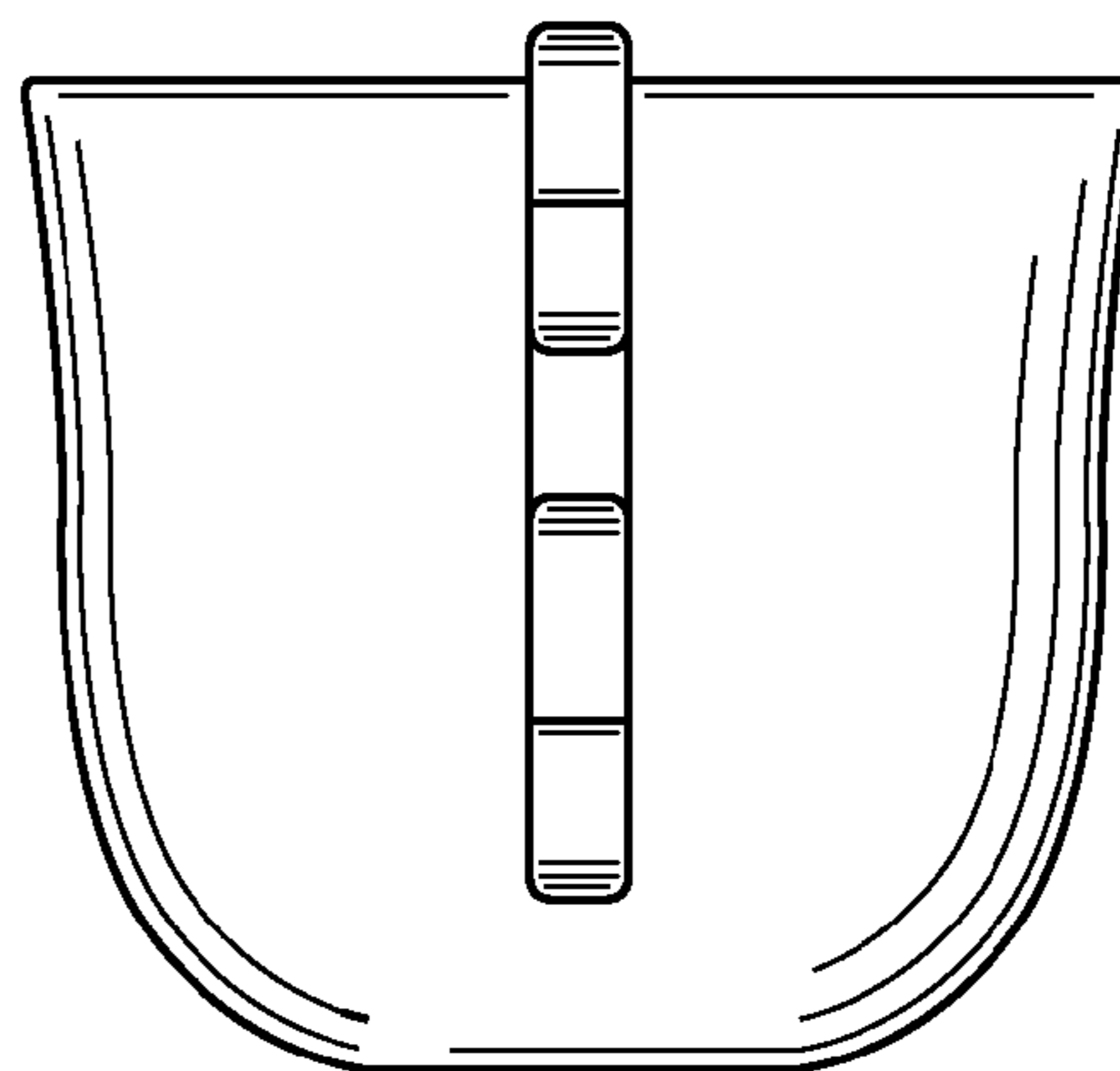


FIG. 3

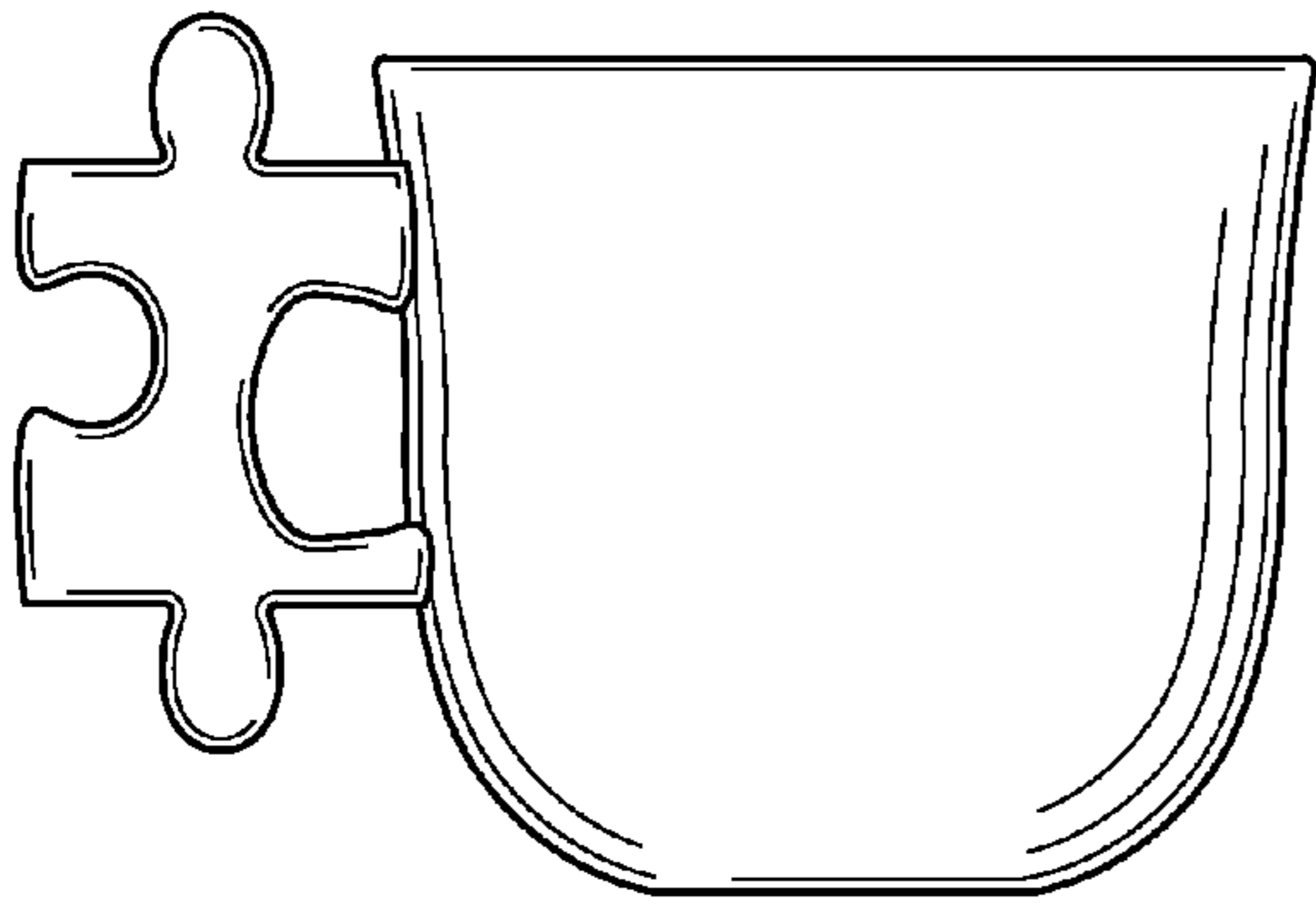


FIG. 4

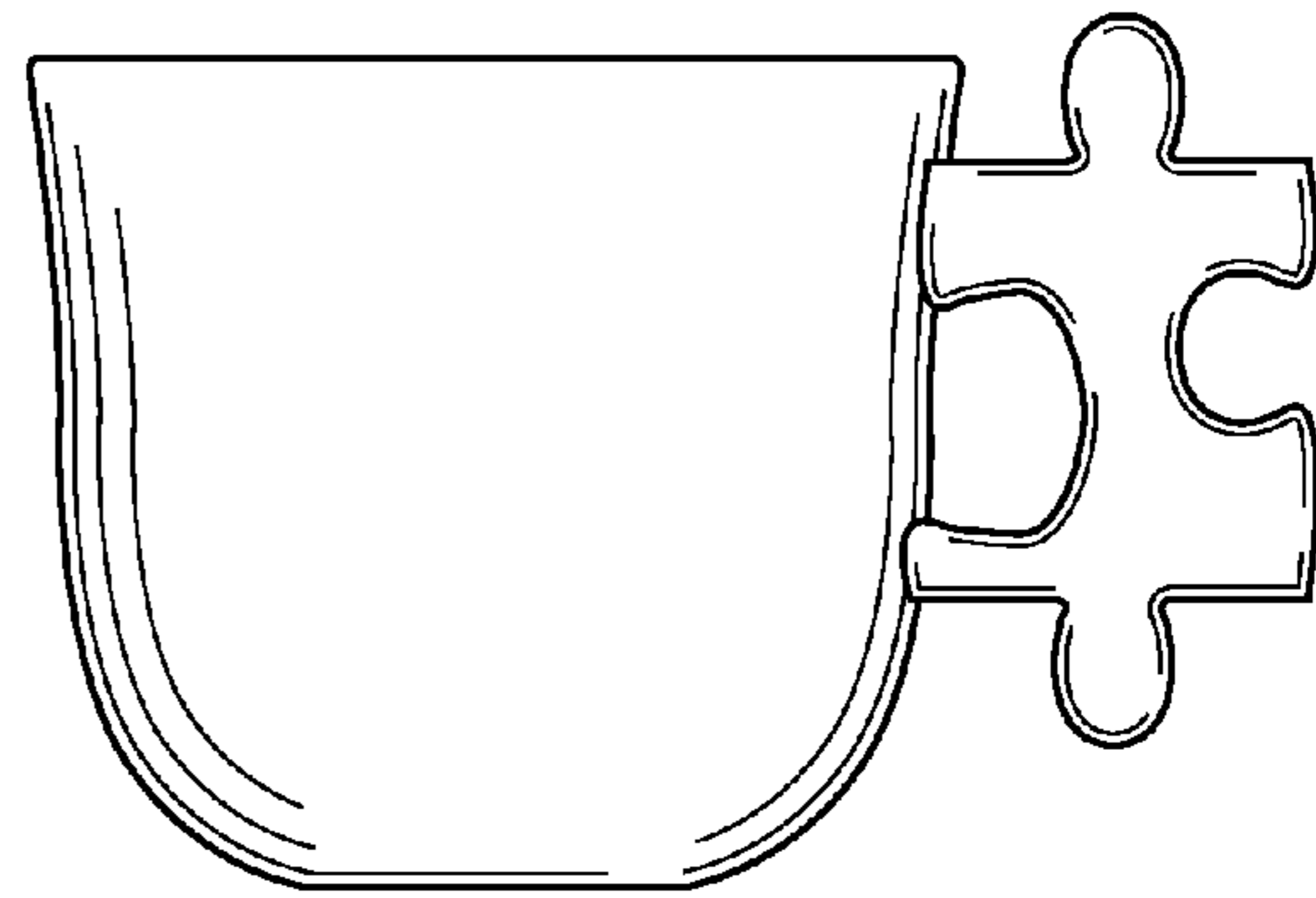


FIG. 5

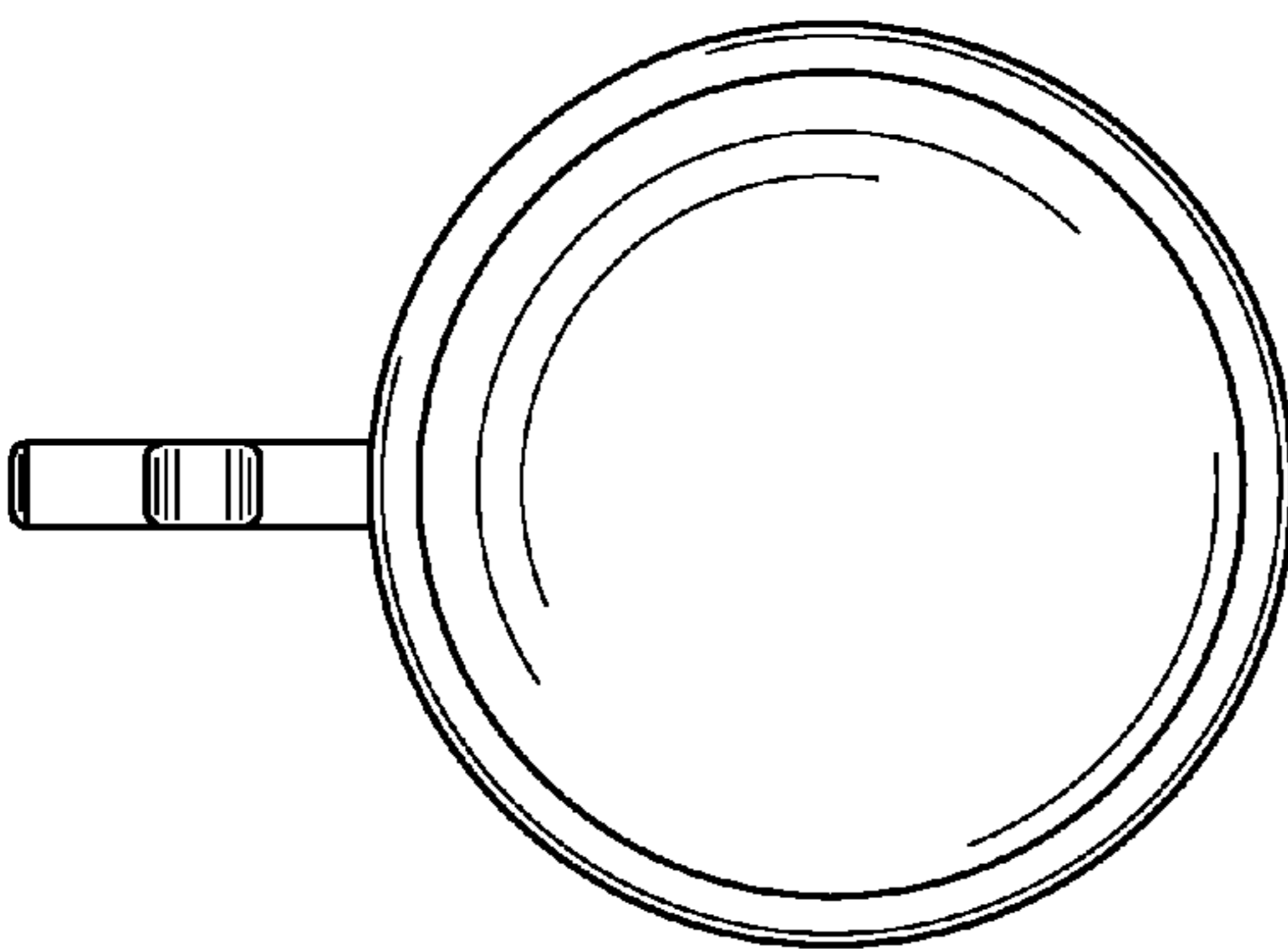


FIG. 6

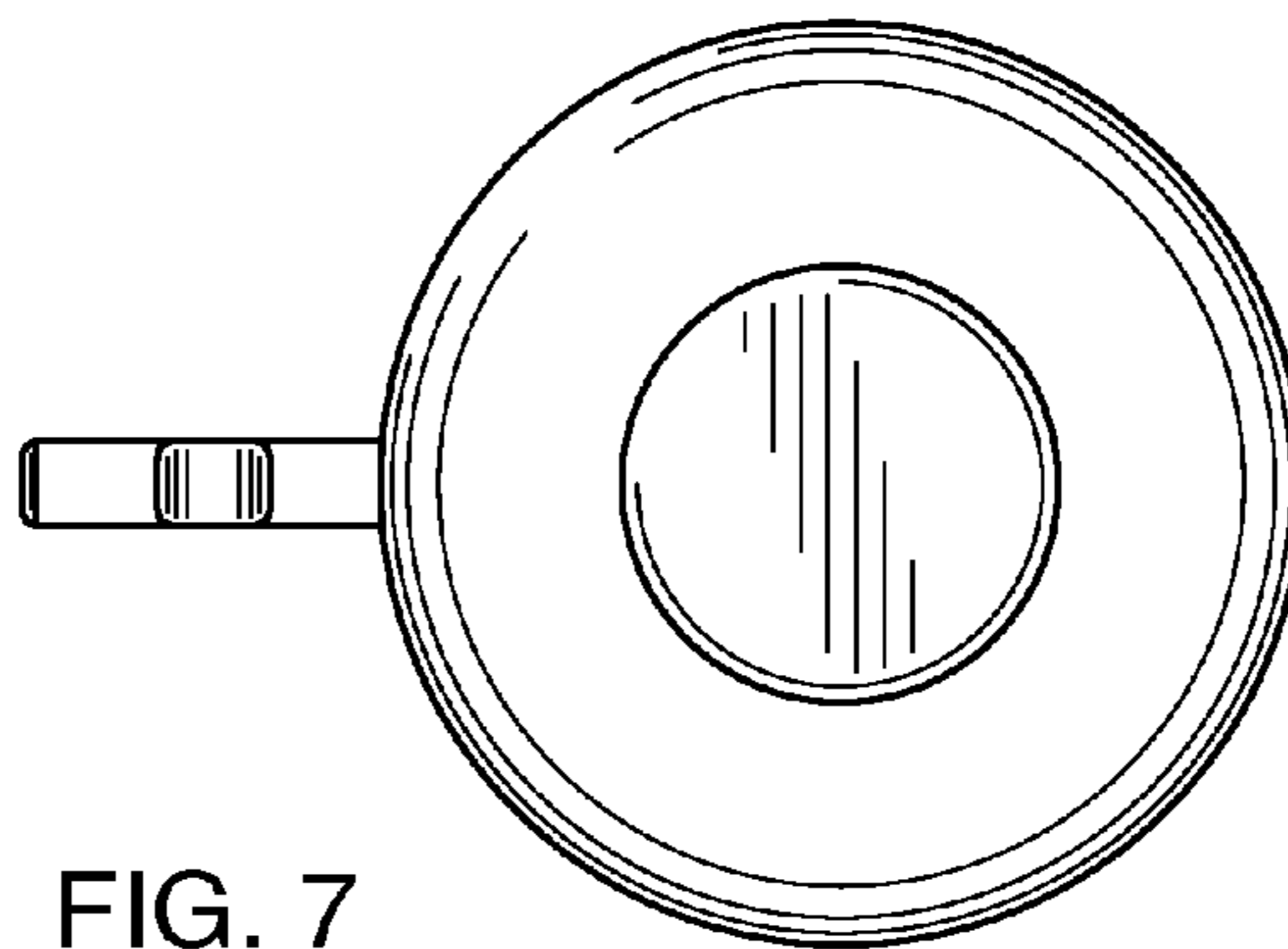


FIG. 7