

US00D567023S

(12) **United States Design Patent**
Baldieri

(10) **Patent No.:** **US D567,023 S**

(45) **Date of Patent:** **** Apr. 22, 2008**

(54) **MUST PLUNGER**

6,454,455 B1 * 9/2002 Jungvig 366/129
D529,760 S * 10/2006 Berg D7/412

(76) Inventor: **Leroy D. Baldieri**, 9 Newton St.,
Milford, CT (US) 06460

* cited by examiner

(**) Term: **14 Years**

Primary Examiner—Mimosa De

Assistant Examiner—Ricky Pham

(21) Appl. No.: **29/232,678**

(74) *Attorney, Agent, or Firm*—Melvin I. Stoltz

(22) Filed: **Jun. 23, 2005**

(57) **CLAIM**

(51) **LOC (8) Cl.** **07-02**

The ornamental design for a must plunger, as shown and described.

(52) **U.S. Cl.** **D7/414**

(58) **Field of Classification Search** D7/213,
D7/300.1, 300.2, 376–387, 392, 392.1, 397,
D7/400, 409–415, 510–511, 591–592, 619,
D7/682–696; D8/51; D11/152; D32/35;
30/322–327, 346; 99/472, 485, 494, 505,
99/508, 535; 220/505, 568, 672; 241/37.5,
241/301, 168, 169.1–169.2; 366/129–130,
366/135, 242, 256, 342–343, 347; 416/185

See application file for complete search history.

DESCRIPTION

(56) **References Cited**

U.S. PATENT DOCUMENTS

1,800,653	A *	4/1931	Morris	241/169.2
1,878,924	A *	9/1932	Will	366/130
2,088,376	A *	7/1937	Kaskey	366/256
2,442,353	A *	6/1948	Gordean	241/169.2
2,879,044	A *	3/1959	Gunas	416/185
D205,538	S *	8/1966	Latham	D7/682
D207,195	S *	3/1967	Latham	D7/682
D319,556	S *	9/1991	Purkapile	D7/414
D398,206	S *	9/1998	Visser	D8/51
D399,103	S *	10/1998	Lillelund et al.	D7/682
D437,747	S *	2/2001	Kwok	D7/682

FIG. 1 is a perspective view of a first embodiment of the must plunger showing my new design;

FIG. 2 is a side elevational view thereof, the opposite sides being identical in appearance;

FIG. 3 is a top plan view thereof;

FIG. 4 is a bottom plan view thereof;

FIG. 5 is a side elevational view of a second embodiment of the must plunger showing my new design, the opposite sides being identical in appearance;

FIG. 6 is a top plan view thereof;

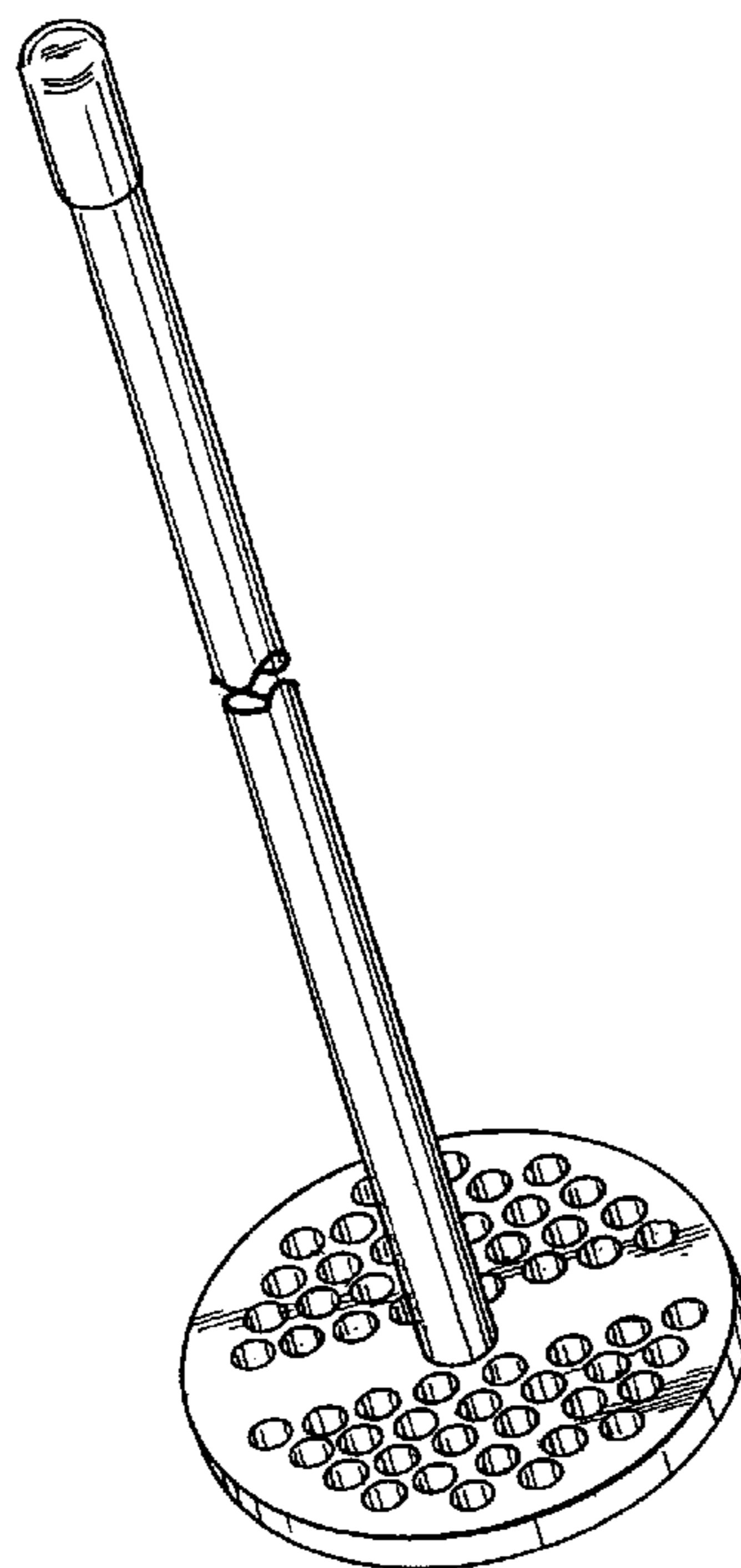
FIG. 7 is a bottom plan view thereof;

FIG. 8 is a side elevational view of a third embodiment of the must plunger showing my design, the opposite sides being identical in appearance;

FIG. 9 is a top plan view thereof; and,

FIG. 10 is a bottom plan view thereof.

1 Claim, 3 Drawing Sheets



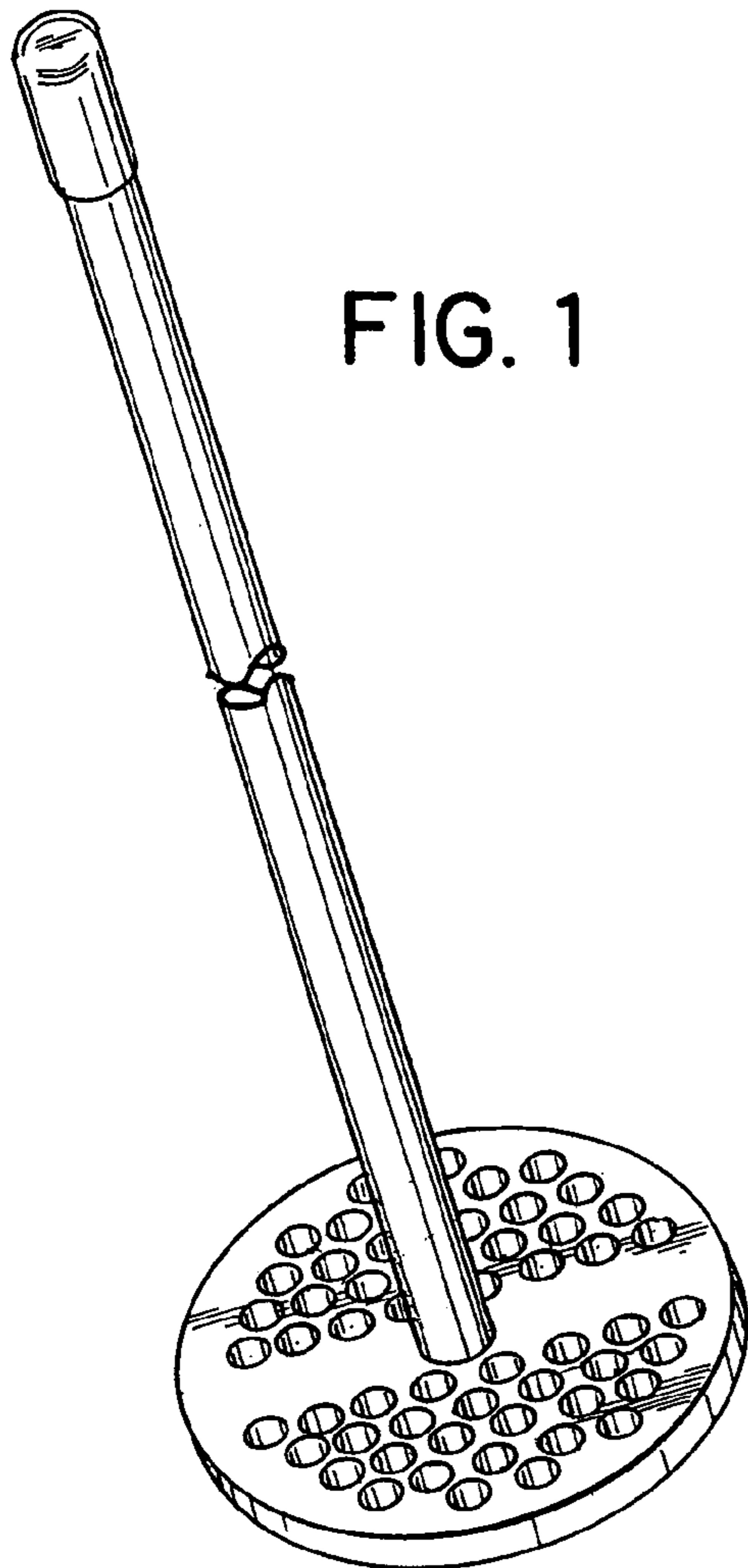


FIG. 1

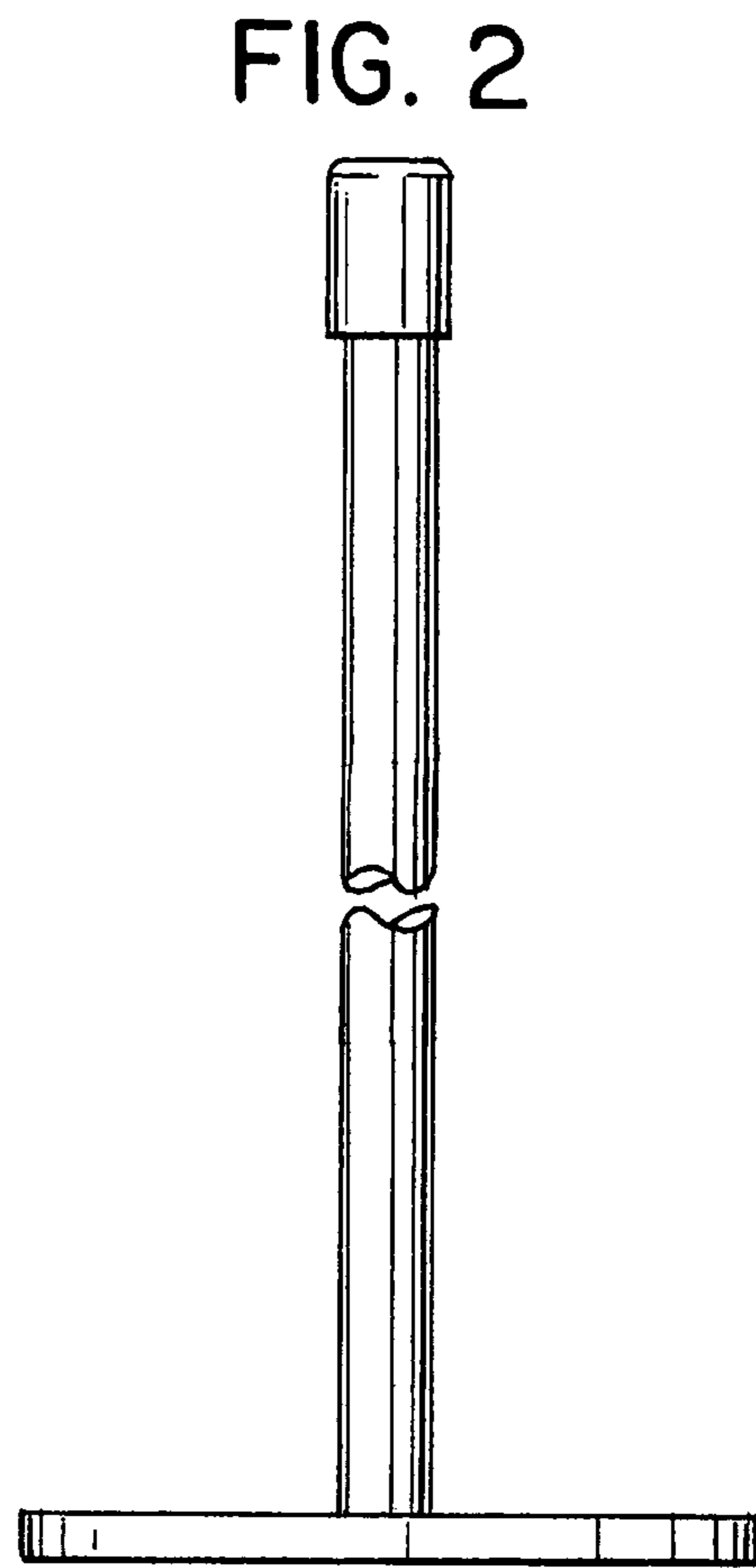


FIG. 2

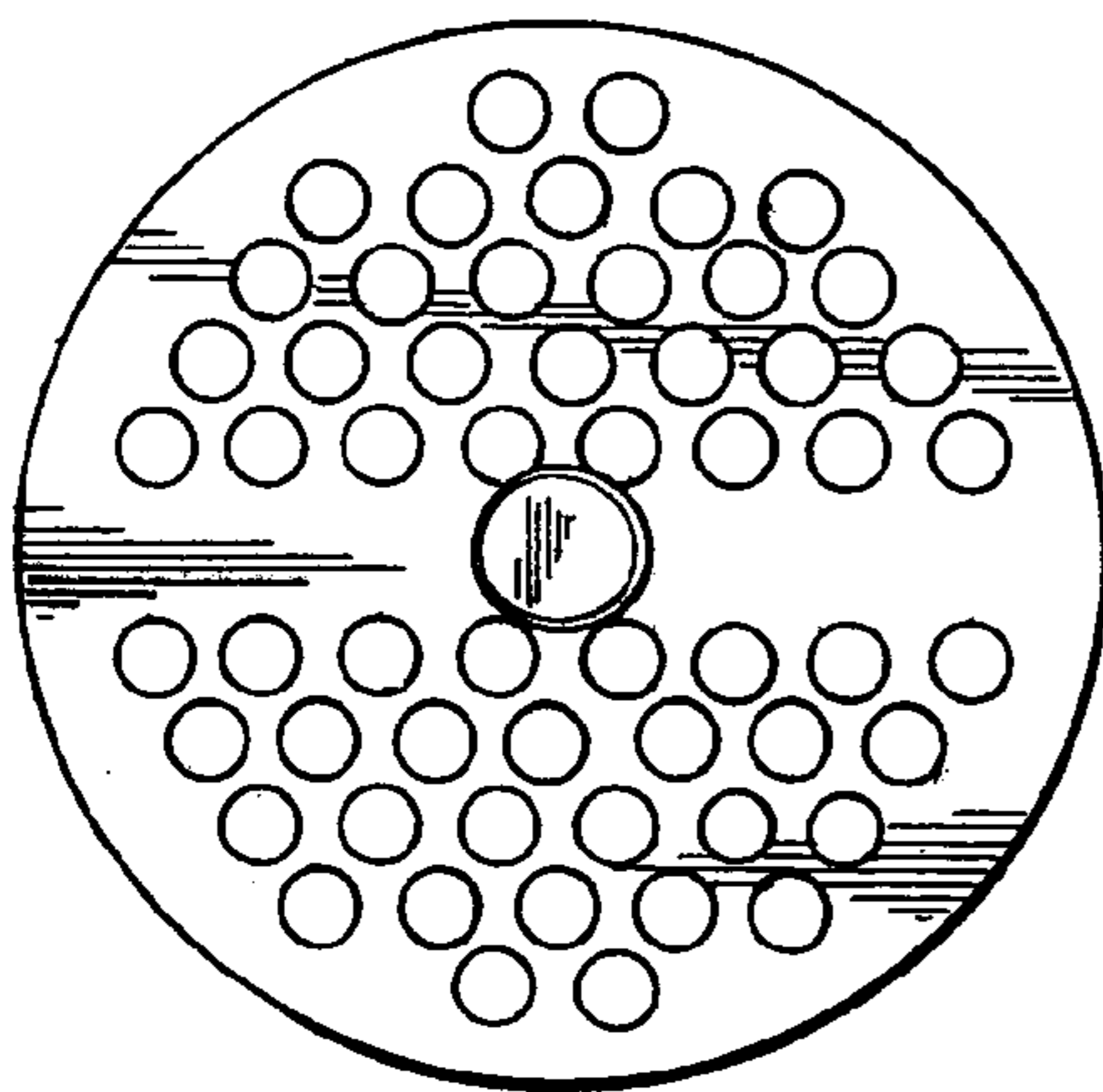


FIG. 3

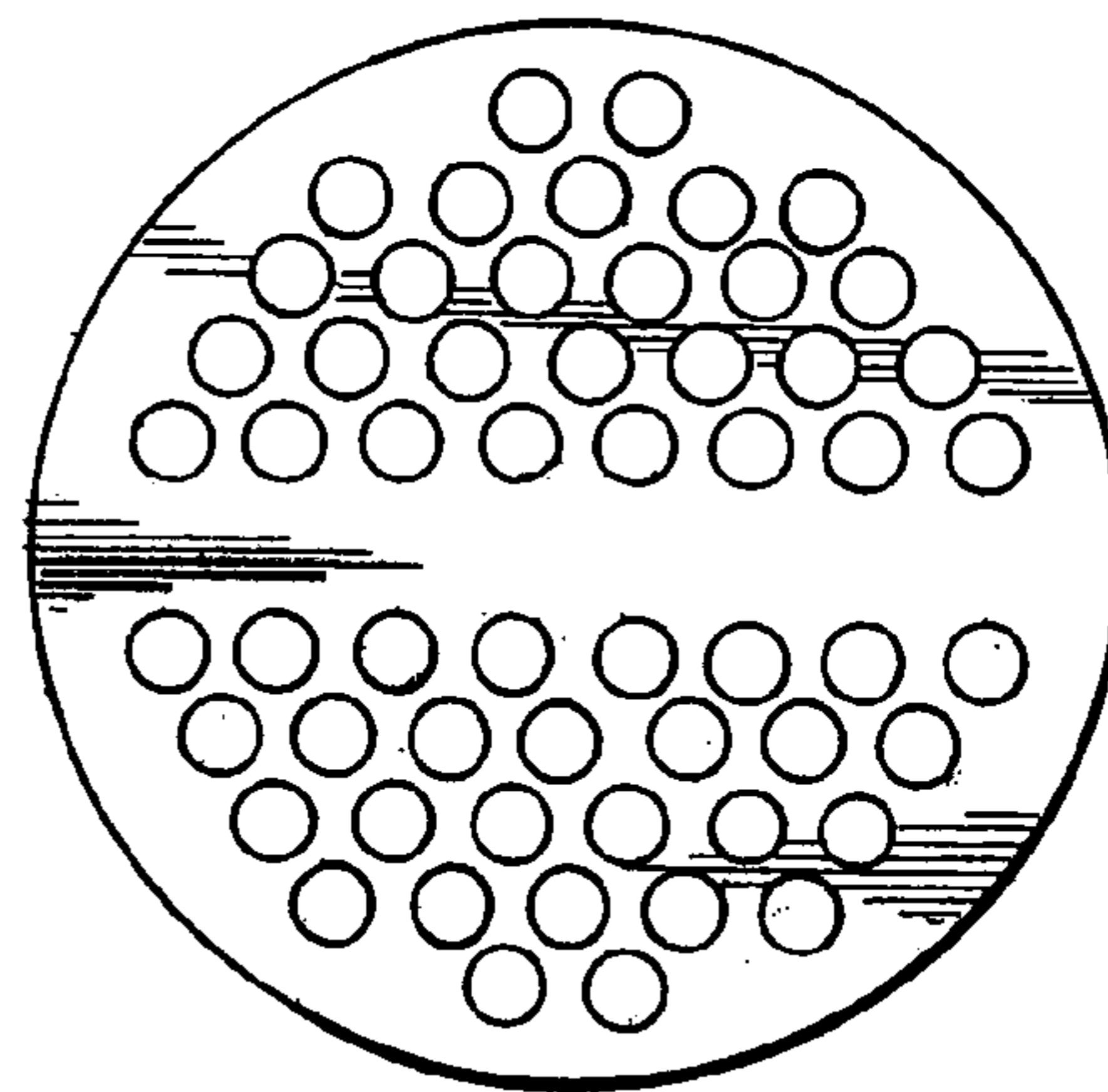


FIG. 4

FIG. 5

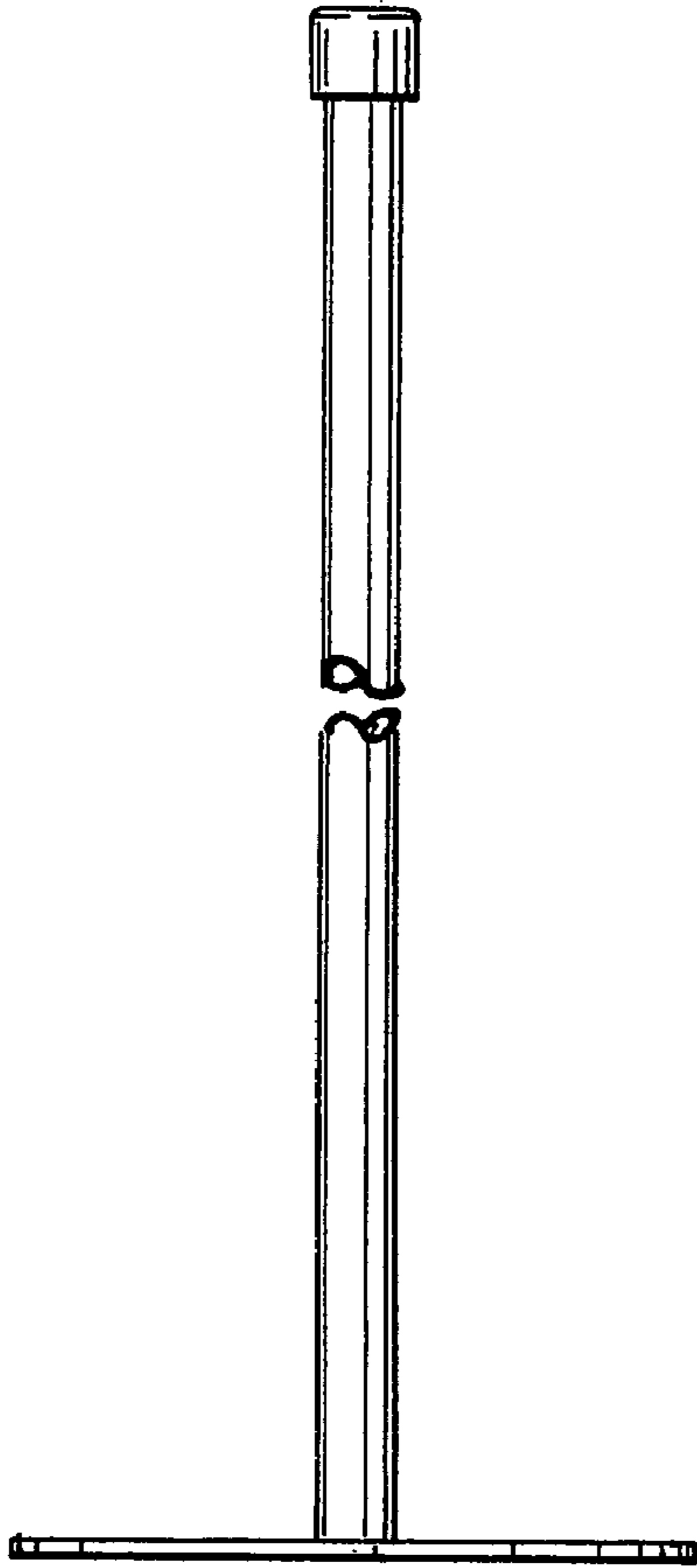


FIG. 6

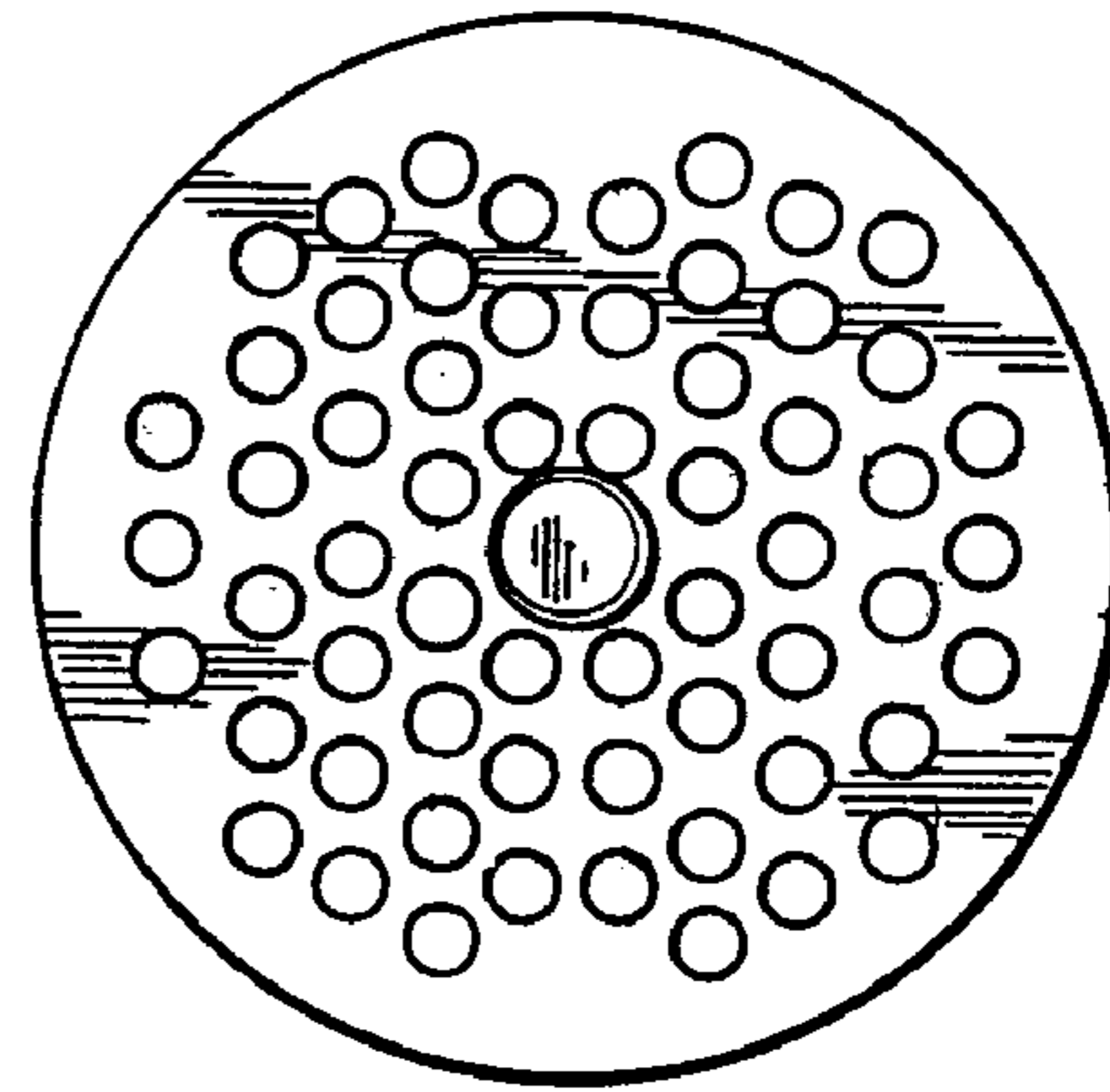


FIG. 7

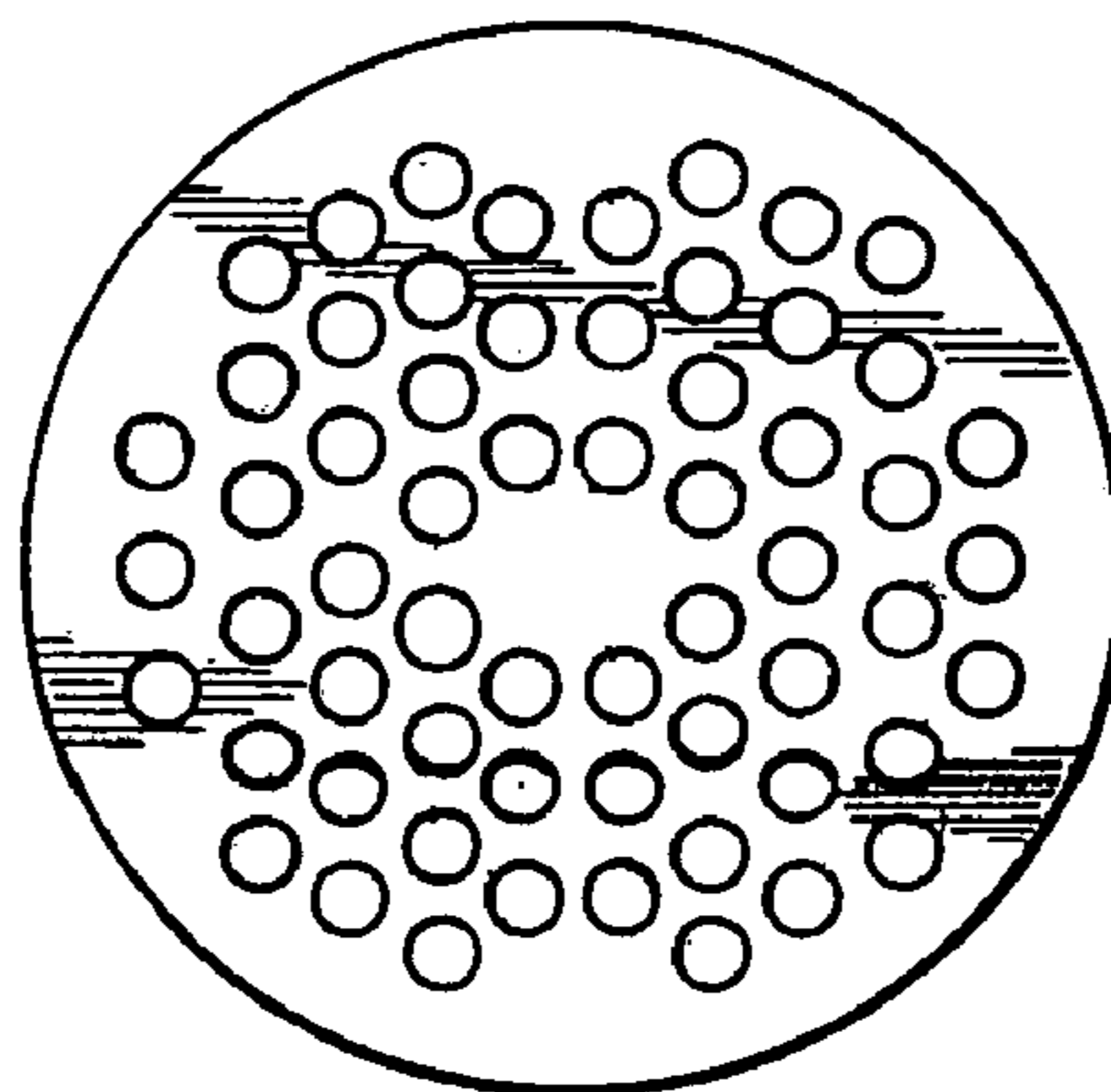


FIG. 8

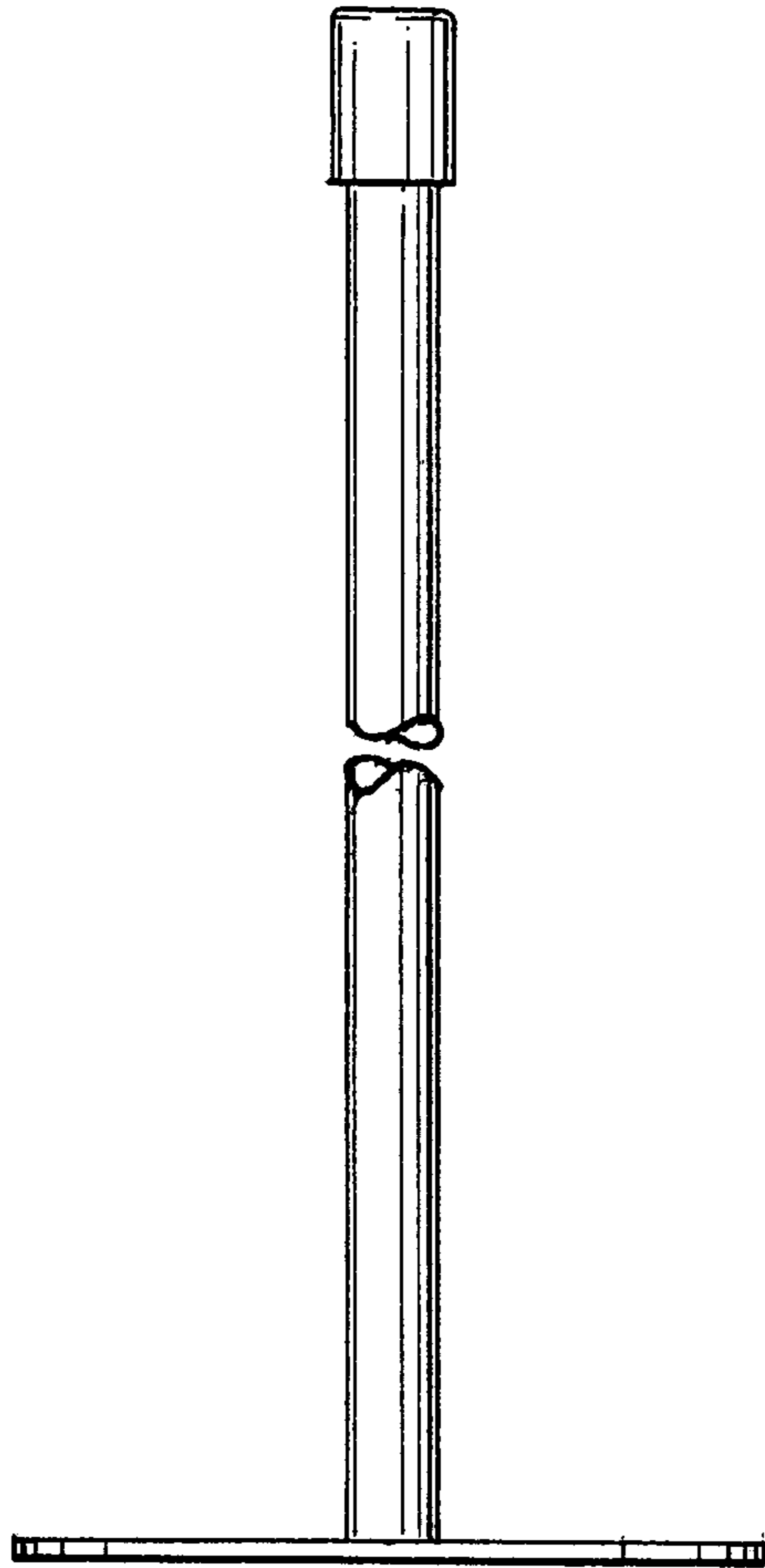


FIG. 9

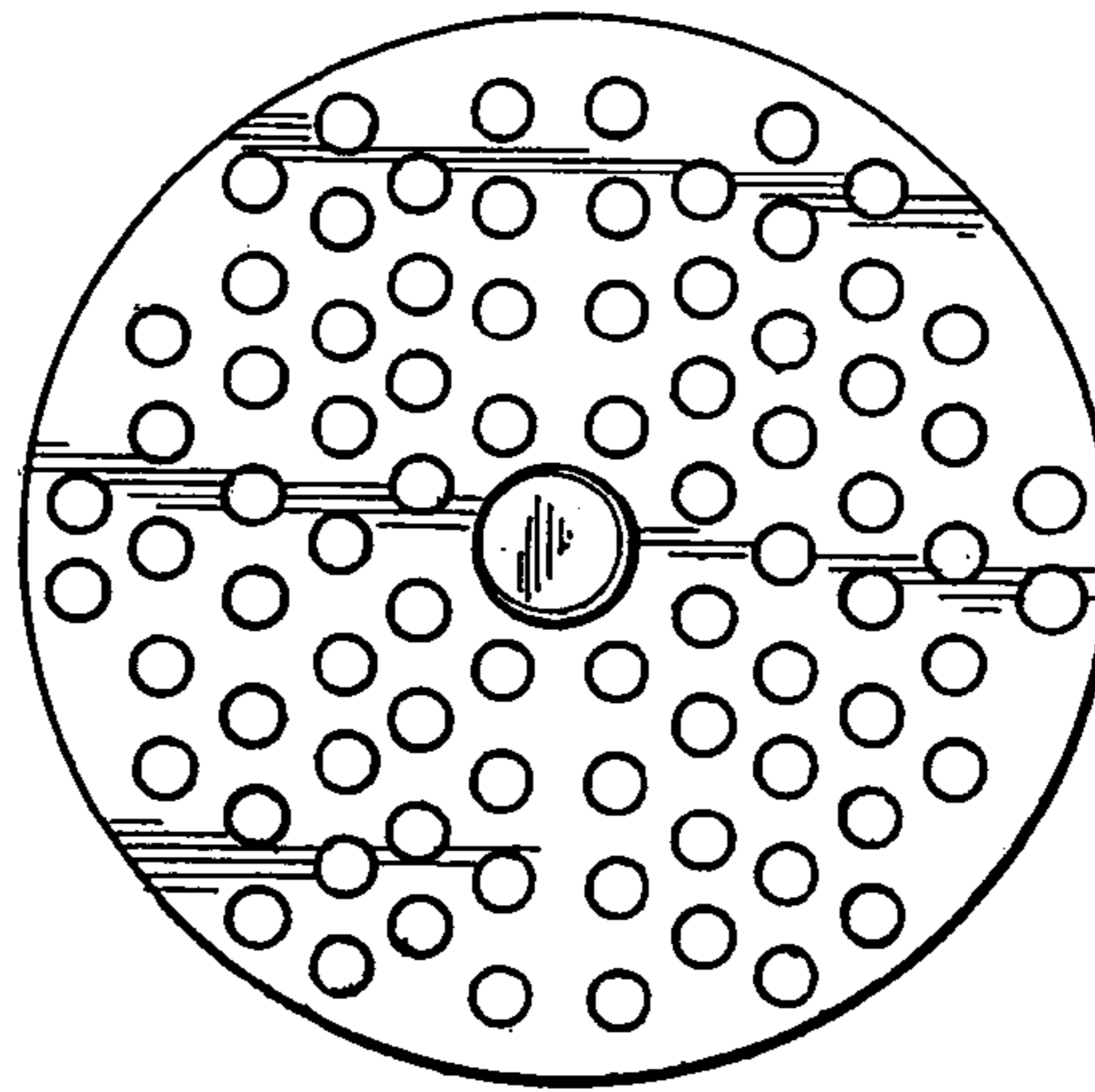


FIG. 10

