



US00D567022S

(12) **United States Design Patent**
Spangrud

(10) **Patent No.:** **US D567,022 S**

(45) **Date of Patent:** **** Apr. 22, 2008**

(54) **WARMING TRAY FOR A BARBEQUE GRILL**

(75) Inventor: **Bruce D. Spangrud**, Las Vegas, NV
(US)

(73) Assignee: **Outdoor Kitchen Concepts, Inc.**, Las Vegas, NV (US)

(**) Term: **14 Years**

(21) Appl. No.: **29/289,929**

(22) Filed: **Aug. 6, 2007**

Related U.S. Application Data

(60) Continuation of application No. 11/285,709, filed on Nov. 22, 2005, which is a division of application No. 10/741,537, filed on Dec. 19, 2003, now Pat. No. 7,267,544.

(51) **LOC (8) Cl.** **07-02**

(52) **U.S. Cl.** **D7/409**

(58) **Field of Classification Search** D7/323, D7/354-361, 402, 552.1, 409, 554.3; D6/462, D6/475; 99/422-427, 396, 421 A, 421 H, 99/421 R, 444-450; 211/85.4; 220/573.1, 220/485, 491-494, 752, 759, 769, 912
See application file for complete search history.

(56) **References Cited**

U.S. PATENT DOCUMENTS

- D192,036 S * 1/1962 Raymond D7/552.1
- 4,428,281 A * 1/1984 Miller 99/445
- D322,182 S * 12/1991 Corsile D6/419
- D370,595 S * 6/1996 Koziol D7/409
- D378,561 S * 3/1997 Ferris et al. D7/554.3
- 5,678,531 A 10/1997 Byers et al.

- 5,839,361 A 11/1998 Richter
- 5,870,946 A * 2/1999 Dudley 99/426
- D417,124 S * 11/1999 Chen D7/409
- D446,683 S * 8/2001 Pai D7/402
- 6,279,469 B1 * 8/2001 Bailey 99/450
- 6,481,343 B1 * 11/2002 Rigney et al. 99/396
- 7,267,544 B2 9/2007 Spangrud
- 2004/0065313 A1 4/2004 Thompson
- 2006/0070614 A1 4/2006 Spangrud

* cited by examiner

Primary Examiner—Mimosa De

Assistant Examiner—Ricky Pham

(74) *Attorney, Agent, or Firm*—Weide & Miller, Ltd.

(57) **CLAIM**

The ornamental design for a warming tray for a barbeque grill, as shown and described.

DESCRIPTION

FIG. 1 is an isometric view of a warming tray for a barbeque grill in accordance with my new design;

FIG. 2 is a top view of the warming tray for a barbeque grill of FIG. 1;

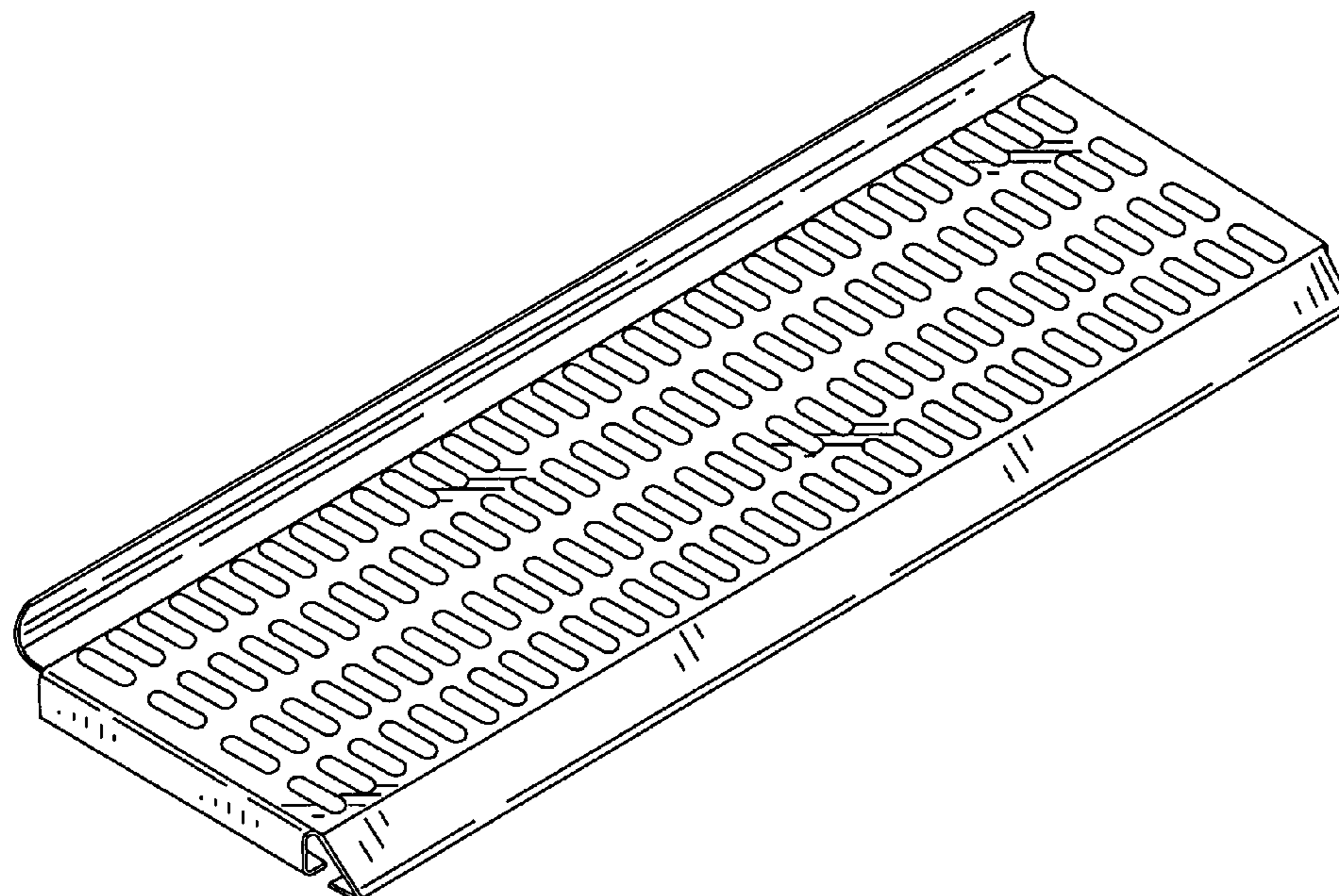
FIG. 3 is a front view of the warming tray for a barbeque grill of FIG. 1;

FIG. 4 is a right side view of the warming tray for a barbeque grill of FIG. 1;

FIG. 5 is a rear view of the warming tray for a barbeque grill of FIG. 1; and,

FIG. 6 is bottom view of the warming tray for a barbeque grill of FIG. 1.

1 Claim, 2 Drawing Sheets



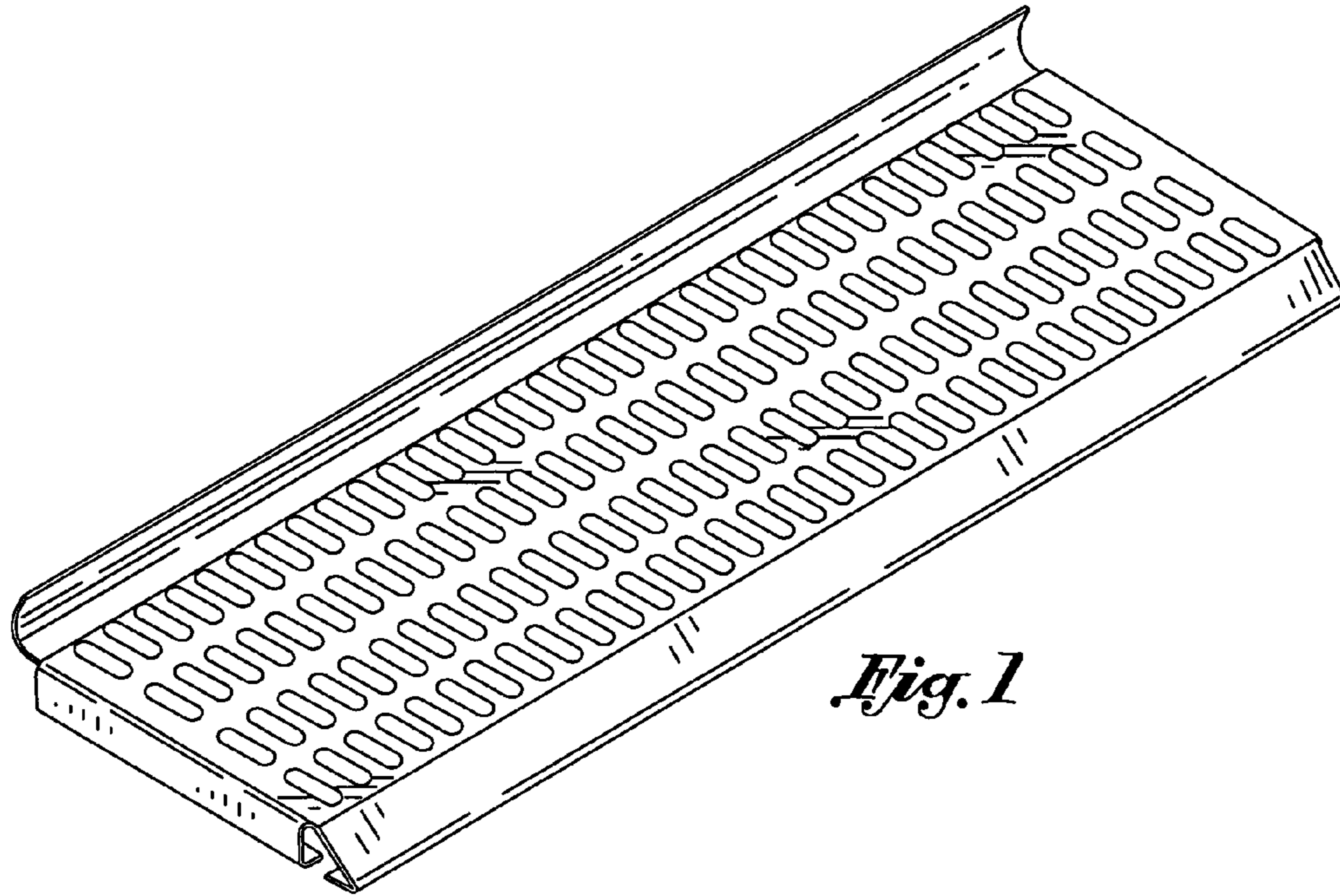


Fig. 1

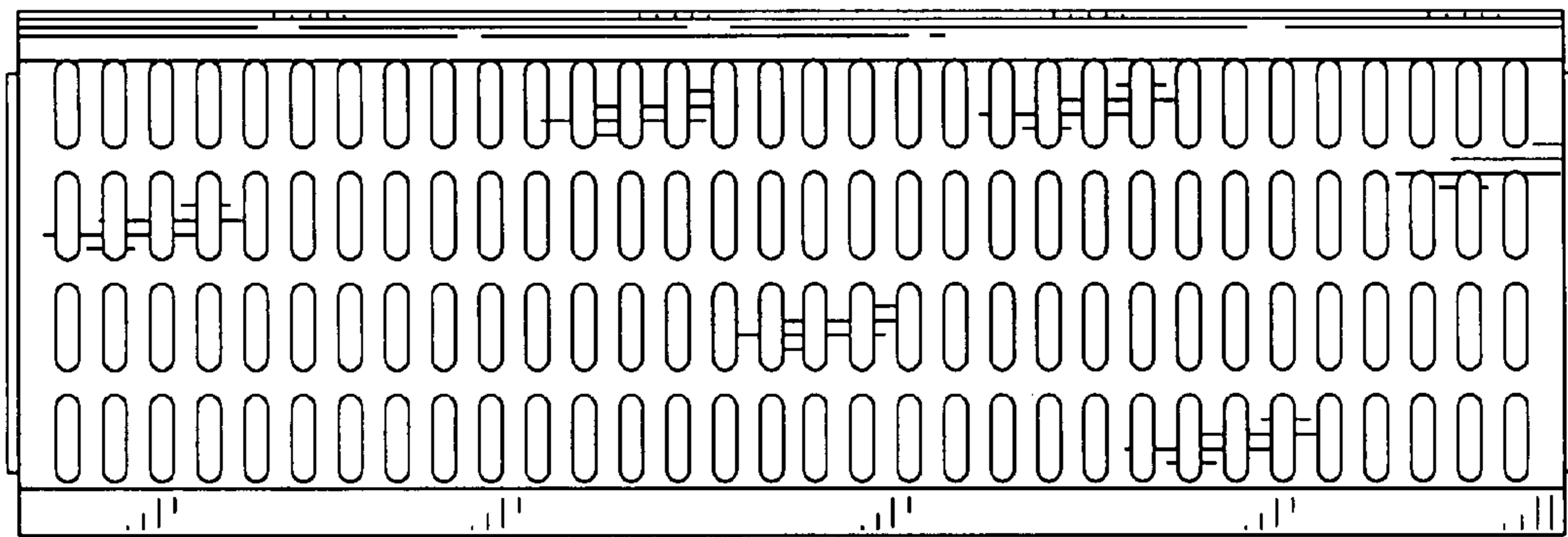


Fig. 2

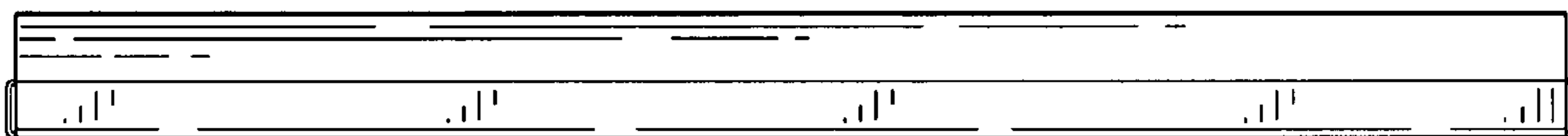


Fig. 3



Fig. 4

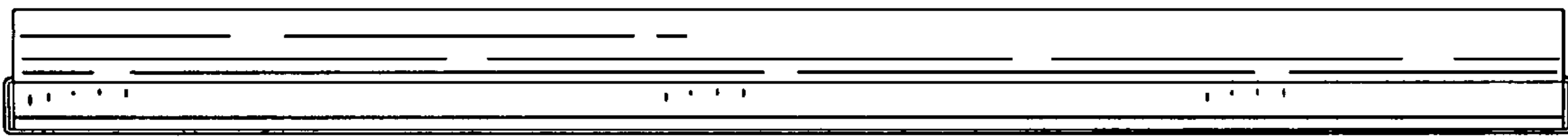


Fig. 5

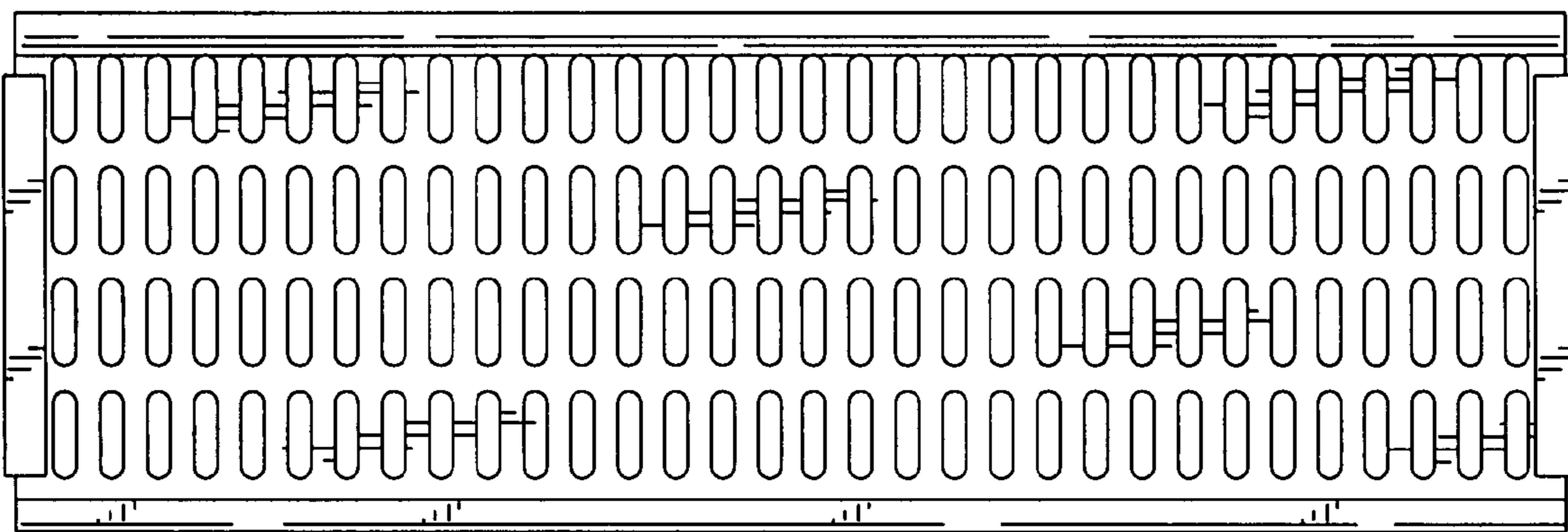


Fig. 6